

Assembly Instructions

Caution: You must read this before you proceed

Care & Maintenance



- Not for commercial use. For residential use only.



- Do not put hot items directly on furniture surface.



- Do not clean furniture with harsh cleansers or polish.



- To obtain the longest lifespan of your outdoor product minimizing exposure to direct sunlight is recommended.



- Children should not climb or jump on the furniture.



- Do not write on furniture without a padded barrier to protect the surface.



- To obtain the longest lifespan of your outdoor products, avoid extended and lengthy exposure to rain, snow, and direct sunshine. Whenever possible cover the product and /or place under patio or awnings.



- Stains may be removed with mild soap solution and damp cloth.



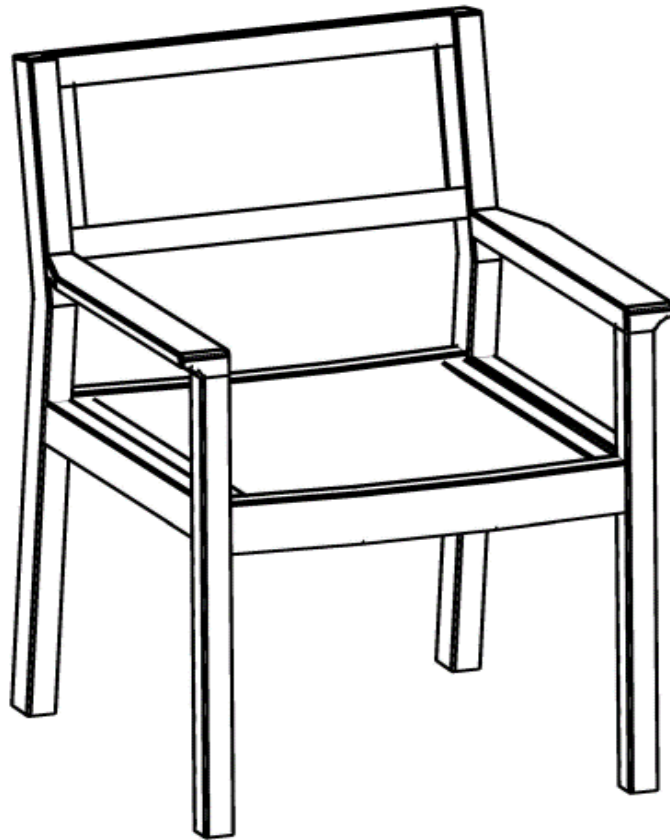
- Keep away from sources of ignition.



- Dust and pick-up spills using a clean, non-colored, lint- free cloth.

Please look in the Seat Panel for hardware packs.

Chair

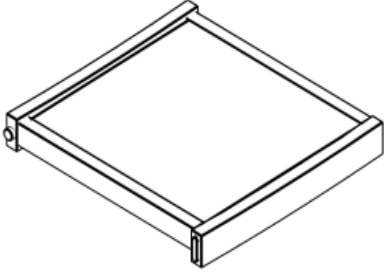
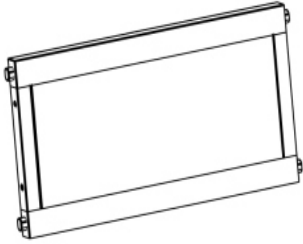

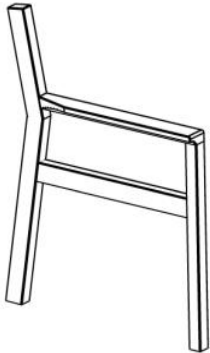


Caution: This Chair is NOT a TOY.

Keep your child / children at bay during the assembly process.

Whenever lifting or moving the Chair and to prevent damage to the Chair, two adults may be needed to execute these actions.

Parts List

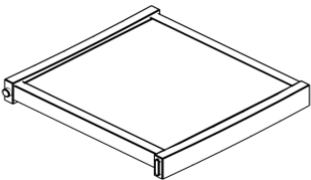
Label	Picture	Description	Qty
A		Seat Panel	1
B		Backrest Panel	1
C		Right Leg Panel	1
D		Left Leg Panel	1

Hardware

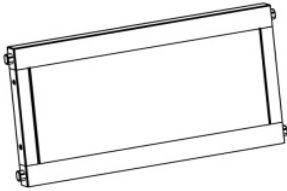
No.	Picture	Description	Qty
①		Bolt (M6 x 65mm)	5
②		Bolt (M6 x 45mm)	5
③		Allen Wrench	1

Assembly Preparation


Before Beginning Assembly:



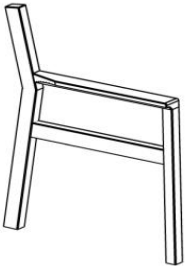
A




B




C




D








① **x5**



② **x5**

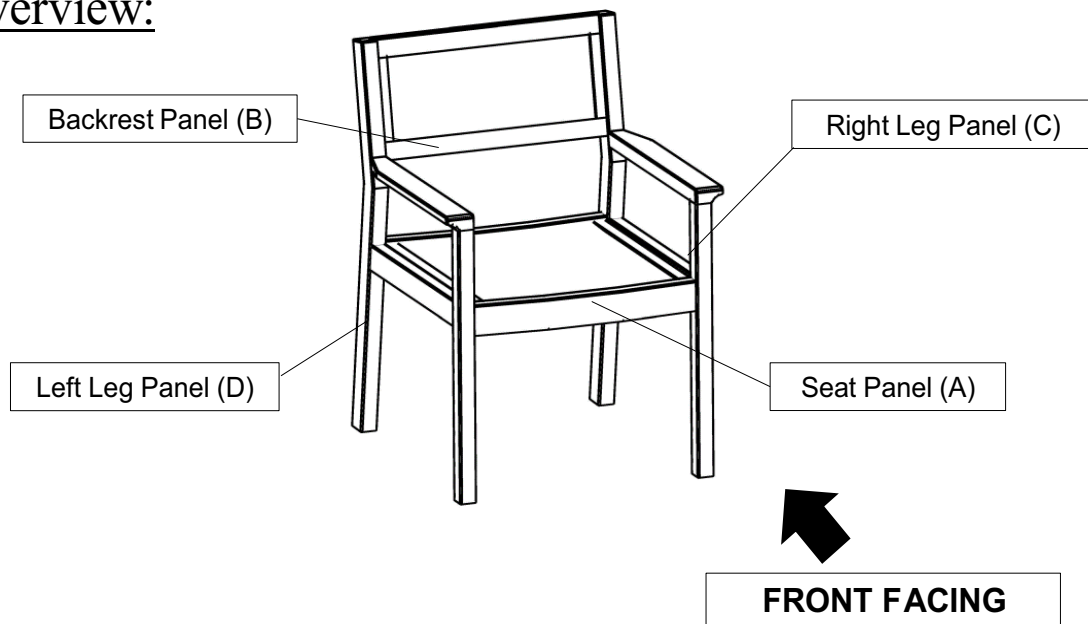


③ **x1**

-  • Read instructions, cover to cover-
-  • Have 2 adults on hand for assembly-
-  • Do not assemble on flooring or carpet-
-  • Assemble on a clean non-marring surface (packing foam)-
-  • Save all packaging until finished-

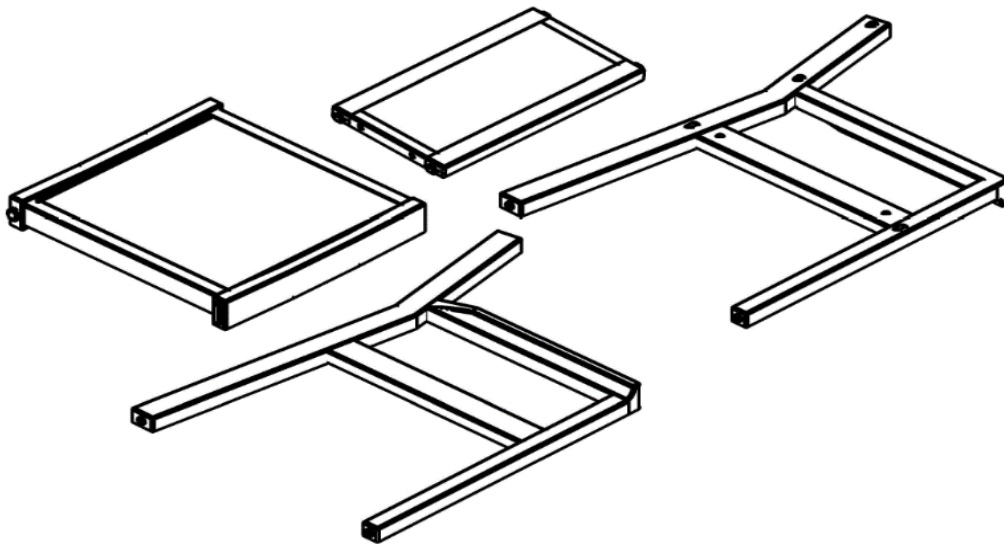
Assembly Steps

Overview:



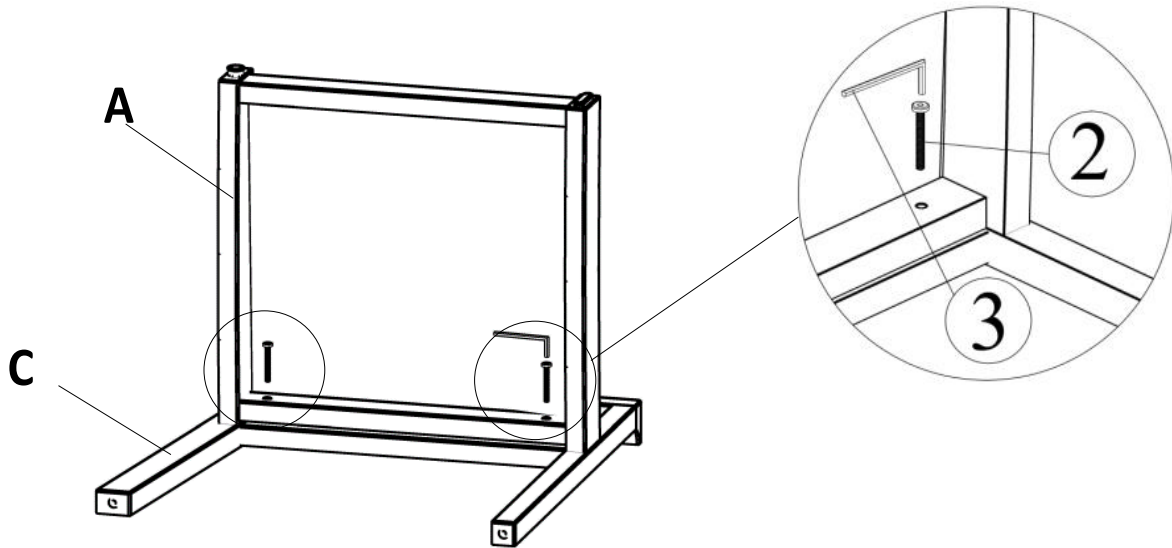
This Chair has multiple parts and may require up to 30 minutes to assemble. To give you an overview of the Chair parts, the above picture is to help you put the various parts into perspective. Please read through the instructions below to familiarise yourself with the parts and steps before assembly.

Step 1:



Unpack and place all parts on a clean, non-marring surface.

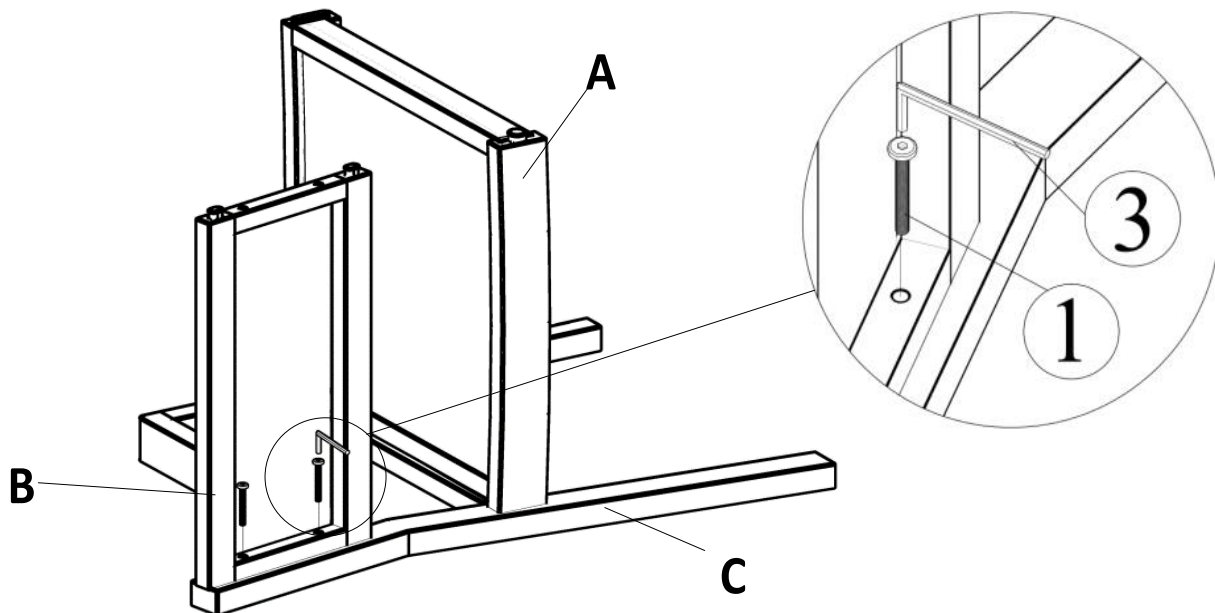
Step 2:



Place the Right Leg Panel (C) on a clean, non-marring surface.
Attach the Seat Panel (A) to the Right Leg Panel (C) using Bolts (2) with Allen Wrench (3) as shown in the picture above.

Do not fully tighten the Bolts.

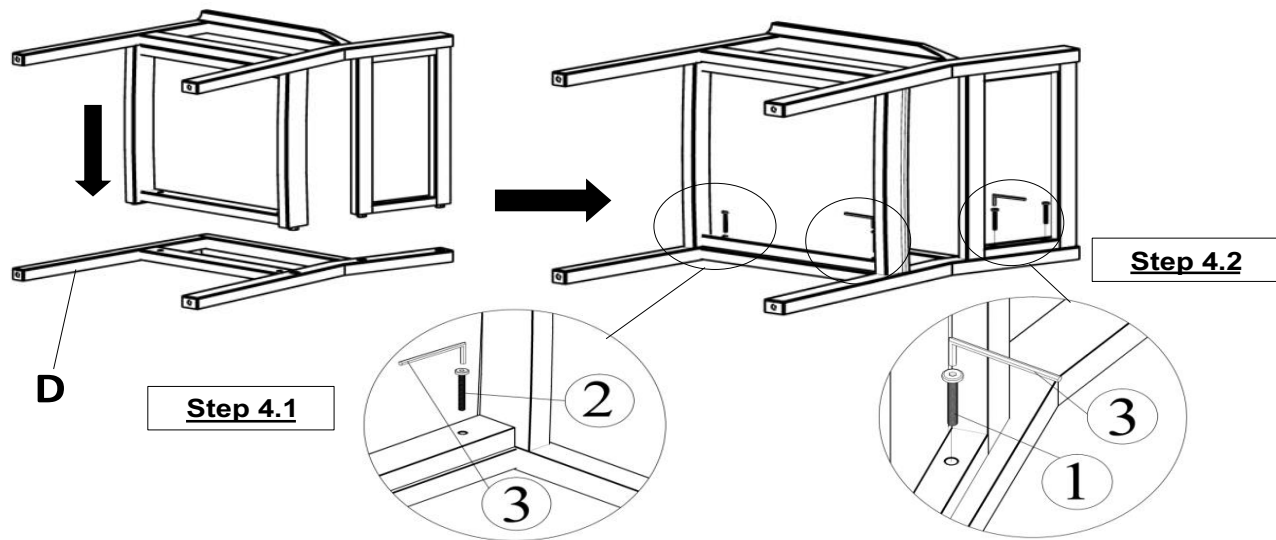
Step 3:



Attach the Backrest Panel (B) to the Right Leg Panel (C) of the assembled part in Step 2 by using Bolts (1) and Allen Wrench (3) as shown in the picture above.

Do not fully tighten the Bolts.

Step 4:



Place the Left Leg Panel (D) on a clean, non-marring surface.

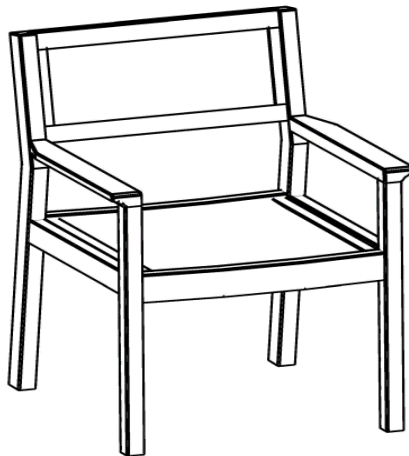
With the help of your adult partner, place the Seat Panel (A) and Backrest Panel (B) of the assembled part in Step 3 to the Left Leg Panel (D) as shown above and then:

Step 4.1: secure the Seat Panel (A) to the Left Leg Panel (D) by using Bolts (②) with Allen Wrench (③).

Step 4.2: secure the Backrest Panel (B) to the Left Leg Panel (D) by using Bolts (①) with Allen Wrench (③).

Do not fully tighten the Bolts.

Step 5:



Inspect it and make sure all parts are adequately connected.

Turn right side up the Chair.

Gently and gracefully, sit onto the Chair.

This will help to align all the parts at all joint areas.

Then get off the Chair and proceed to tighten the Bolts in a sequential manner.

When tightening the Bolts tighten sequentially.

DO NOT tighten any Bolts fully and then move on towards the next one.

If there are still wobbles, loosen the Bolts and execute this same process.

Your Chair is ready for use.

This Chair can only be used on a flat, level surface.