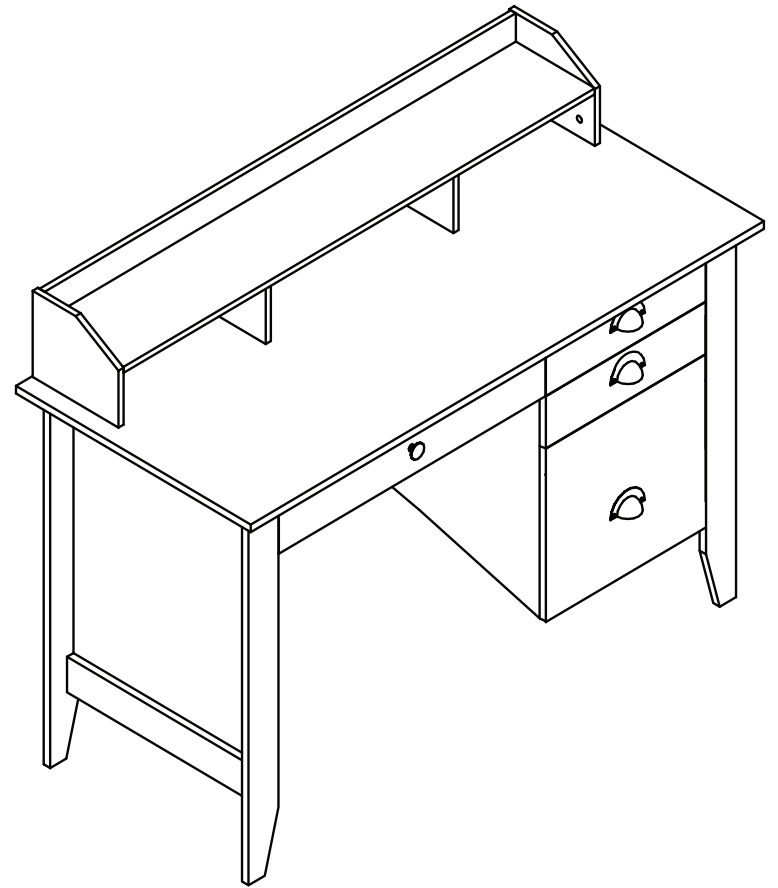
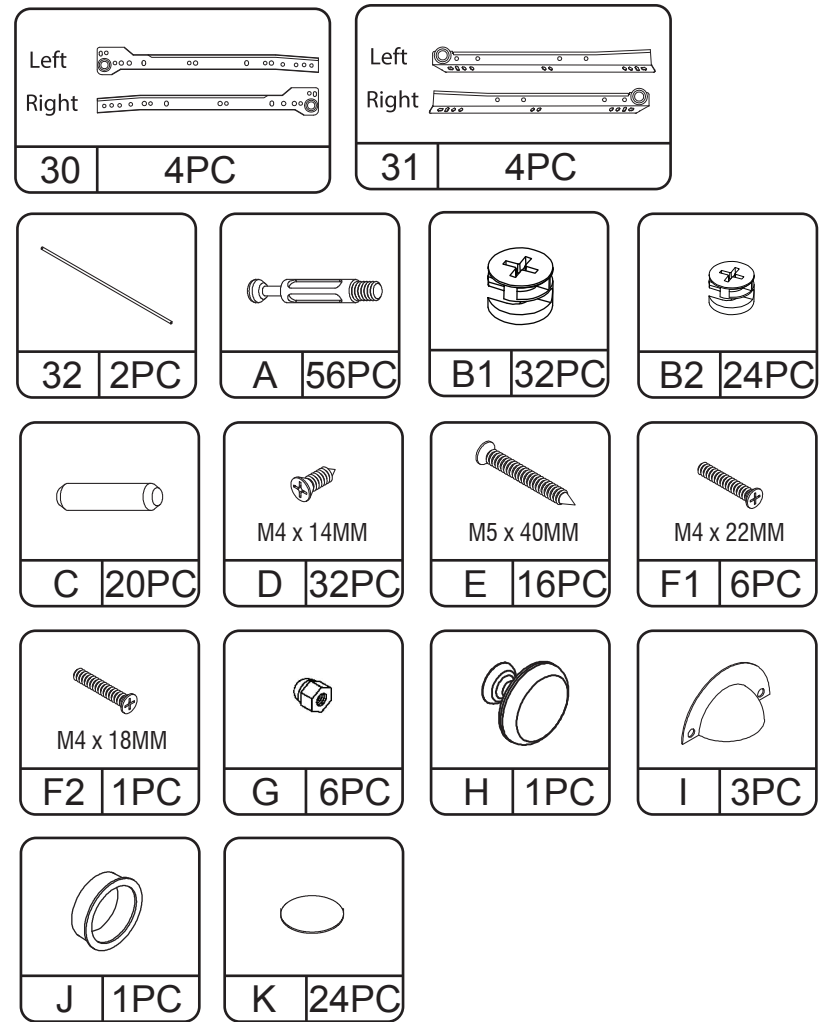
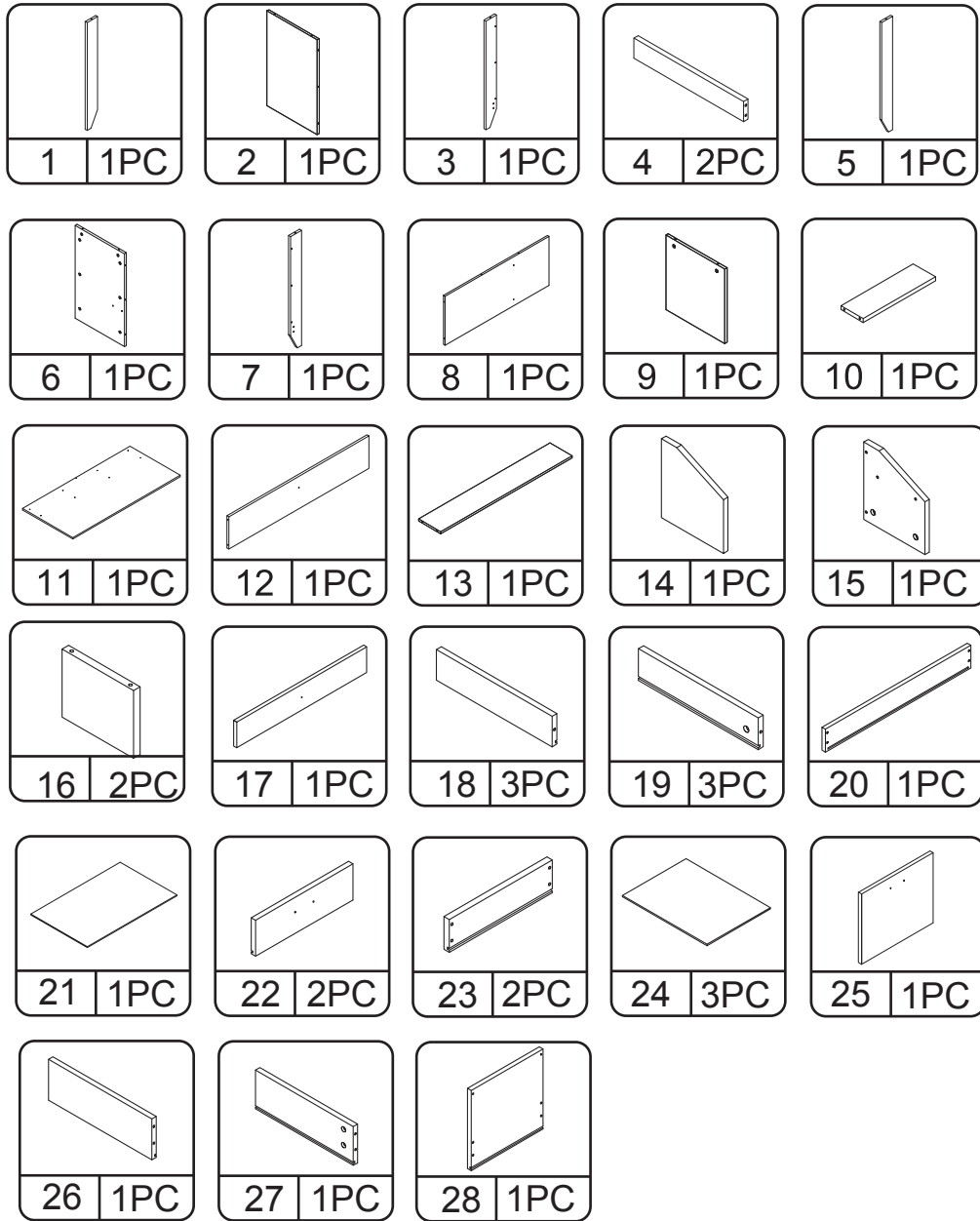


# ASSEMBLY INSTRUCTIONS

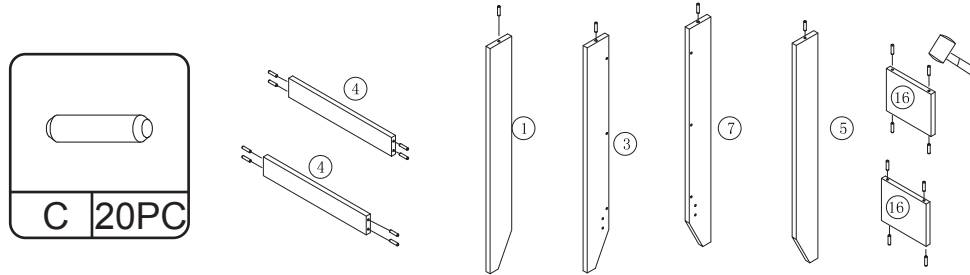
## COMPUTER DESK





# STEP 1

Insert twenty Dowels (C) into the boards shown below.



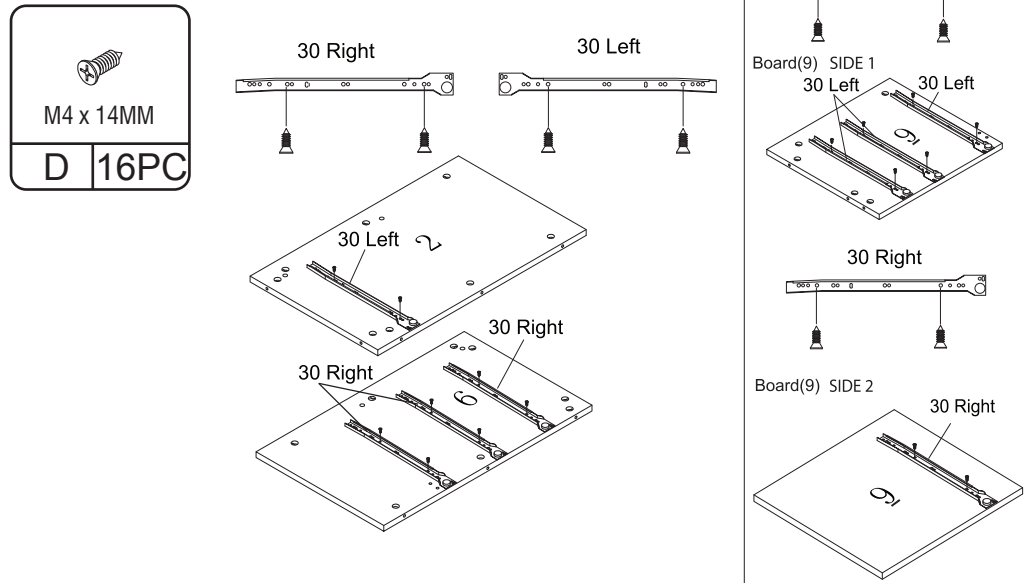
# STEP 2

Attach a Left Outer Roller (30) to the Left Board (2) with two Screws (D).

Attach two Right Outer Rollers (30) to the Right Board (6) with four Screws (D).

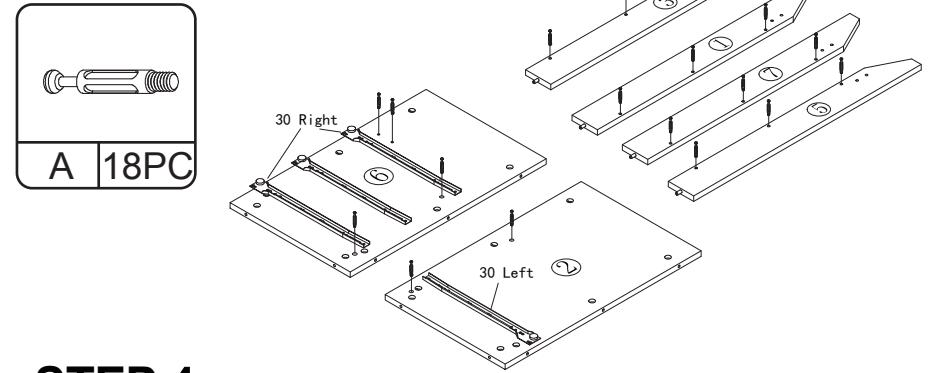
Attach two Left Outer Rollers (30) to one side of the Center Board (9) and one Right Outer Roller (30) to the other side with six Screws (D).

Refer to the drawings for which holes in the rollers to use.



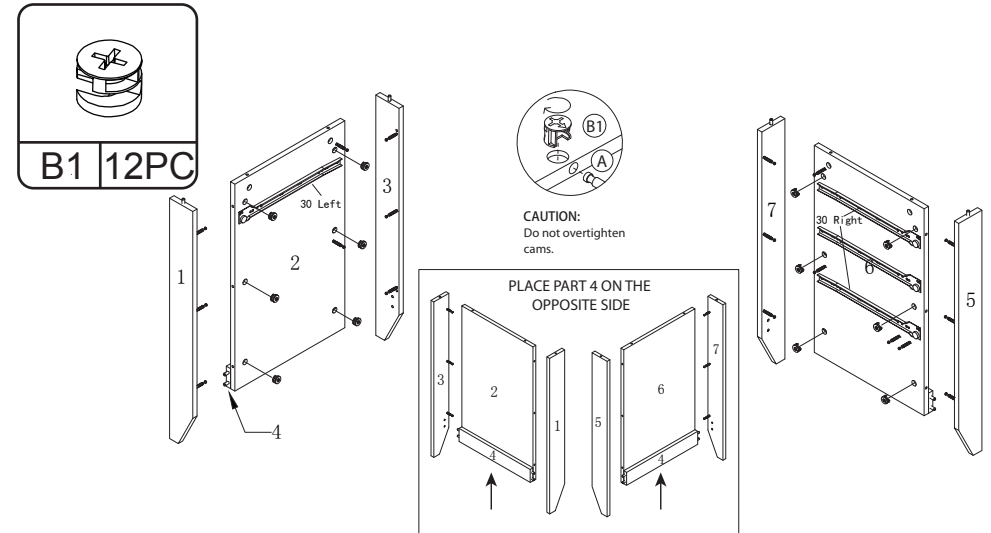
# STEP 3

Fix eighteen Bolts (A) to the Boards shown below.



# STEP 4

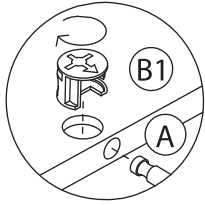
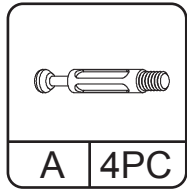
Insert twelve Large Cams (B1) into the Left (2) and Right (6) Boards. Make sure the arrows are pointing toward the holes where the bolts go in. Attach the Left Corner Boards, Front (1) and Back (3) to the Left Board (2) and one Trim Board (4) by inserting the Bolts and turning the Cams clockwise half a turn to lock into place. At the same time, insert the dowels of the Trim Board (4) into the holes of the Front and Back Boards. Attach the Right Corner Boards, Front (5) and Back (7) to the Right Board (6) and the other Trim Board (4) in the same way.



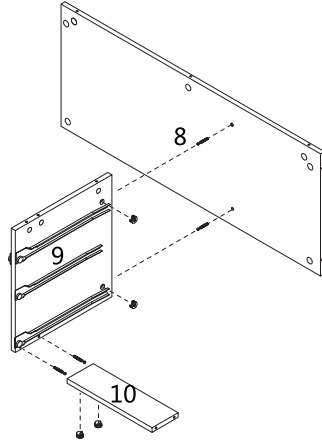
## STEP 5

Fix two Bolts (A) to the Back Board (8). Insert two Large Cams (B1) into the Center Board (9), making sure the arrows are pointing toward the holes for the Bolts. Attach the Center Board to the Back Board by inserting the Bolts and tightening the Cams clockwise half a turn.

Fix two Bolts (A) to the Center Board (9). Insert two Large Cams (B1) into the Support Board (10). Attach the Support Board to the Center Board.

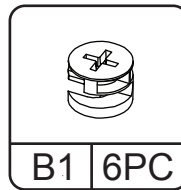
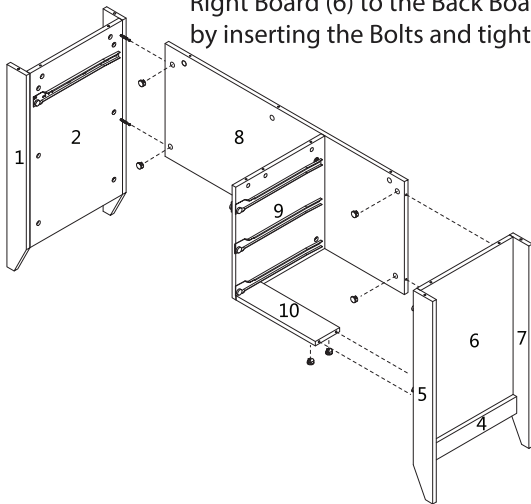


**CAUTION:**  
Do not overtighten  
cams.



## STEP 6

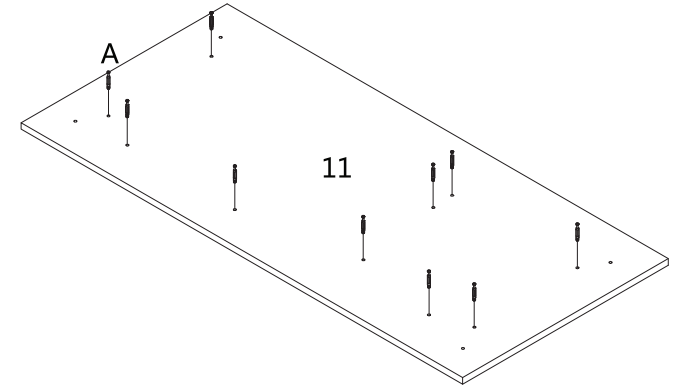
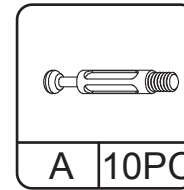
Insert four Large Cams (B1) into the Back Board (8) and two more Large Cams into the Support Board (10). Attach the Left Board (2) to the Back Board (8) and attach the Right Board (6) to the Back Board (8) and the Support Board (10) by inserting the Bolts and tightening the Cams.



5

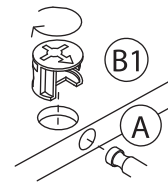
## STEP 7

Fix ten Bolts (A) to the underside of the Desktop (11).

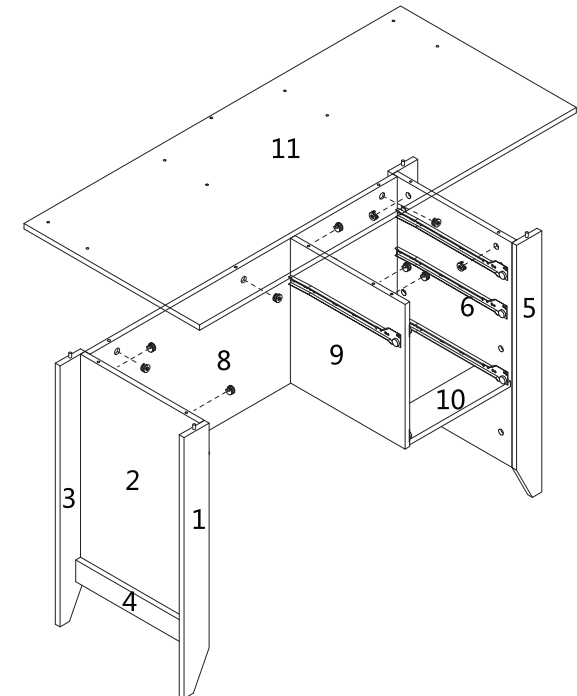


## STEP 8

Insert ten Large Cams (B1) into the Left (2), Back (8), Center (9), and Right (6) Boards as shown. Align the Bolts in the Desktop (11) with the holes and the Dowels in the lower part of the desk. Lower the Desktop making sure all Bolts and Dowels are fully inserted and then tighten the Cams.



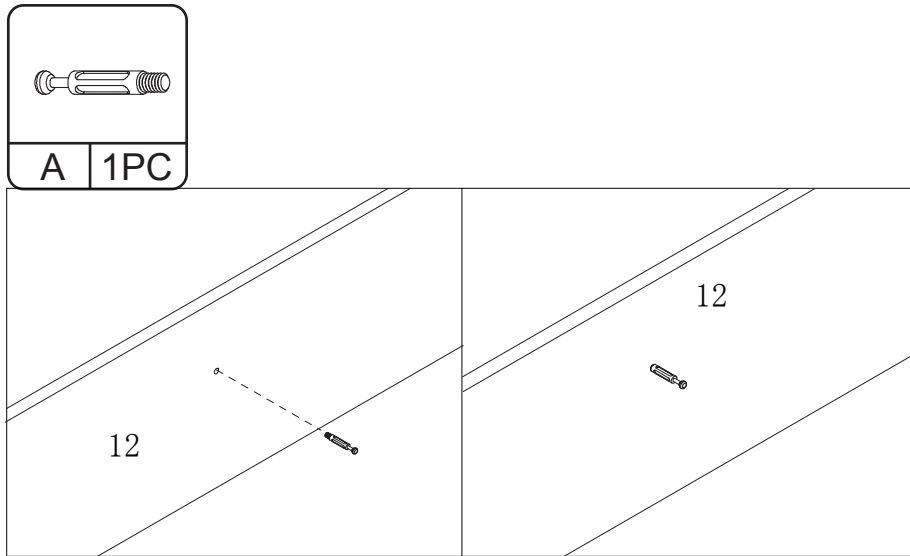
**CAUTION:**  
Do not overtighten  
cams.



6

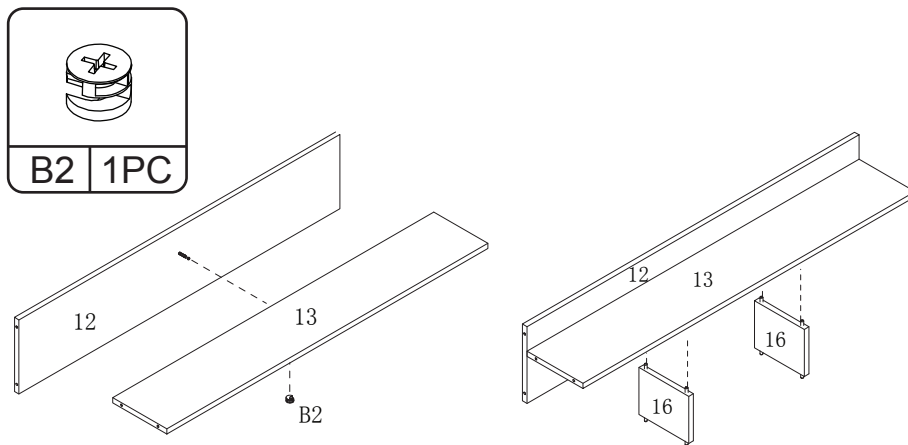
## STEP 9

Fix one Bolt (A) to the center of the Hutch Back (12).



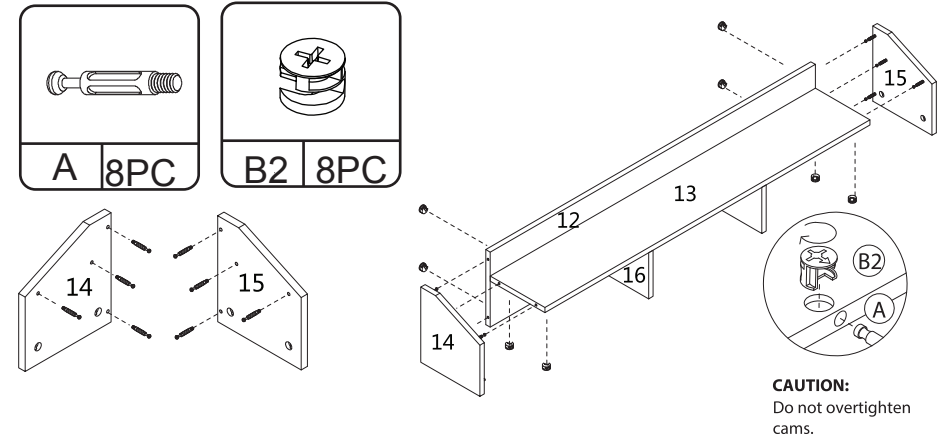
## STEP 10

Insert a Small Cam (B2) into the Hutch Shelf (13). Attach the Hutch Back (12) to the Hutch Shelf by inserting the Bolt and tightening the Cam. Attach the two Hutch Center Boards (16) to the underside of the Shelf (13) by aligning the Dowels with the holes and pressing the boards together until tight.



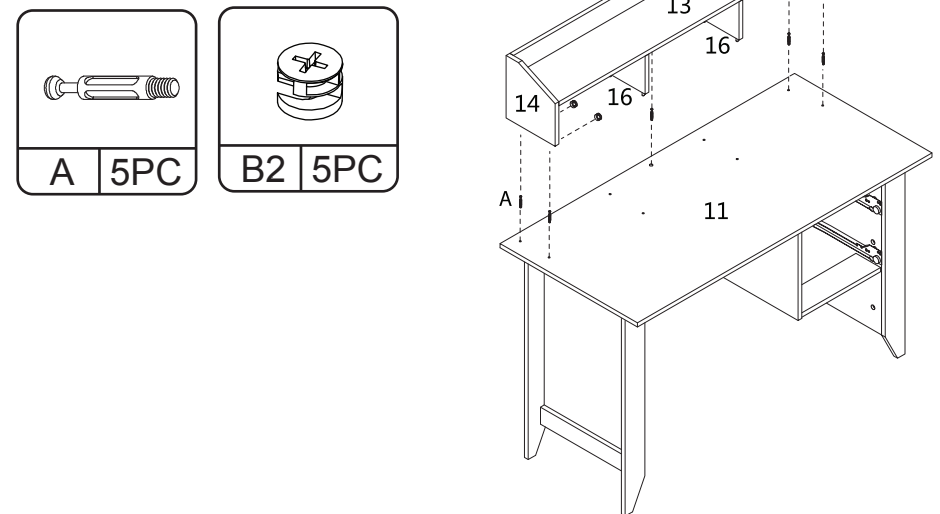
## STEP 11

Fix eight Bolts (A) to the Hutch Right (15) and Left (14) Boards. Insert eight Small Cams (B2) into the Hutch Back (12) and Hutch Shelf (13). Attach the Right and Left Boards to the Back and the Shelf by inserting the Bolts and tightening the Cams.



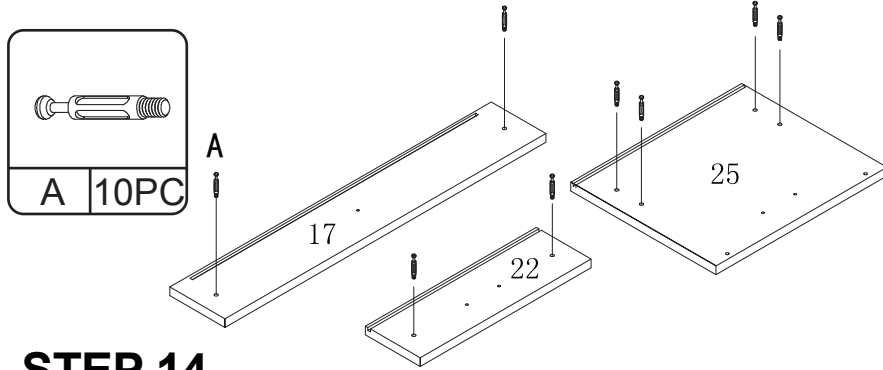
## STEP 12

Fix five Bolts (A) to the Desktop (11). Insert five Small Cams (B2) into the Hutch Right Board (15), Hutch Left Board (14), and Hutch Back (12). Attach the Hutch to the Desktop by lowering it onto the Bolts and tightening the Cams. At the same time, make sure that the Dowels in the Hutch Center Boards (16) are aligned and tight in the other four holes on the Desktop.



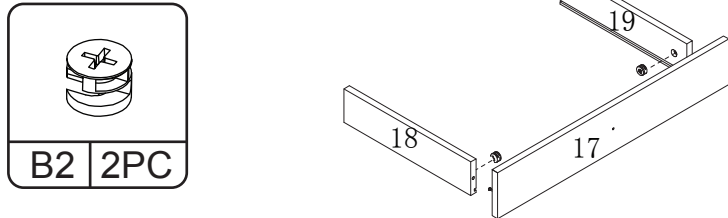
## STEP 13

Fix two Bolts (A) to the Medium Drawer Front (17), four Bolts to the Large Drawer Front (25), and two Bolts to the Small Drawer Front (22).

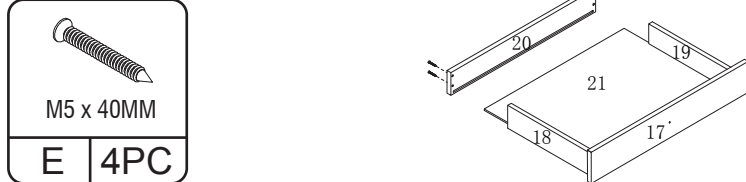


## STEP 14

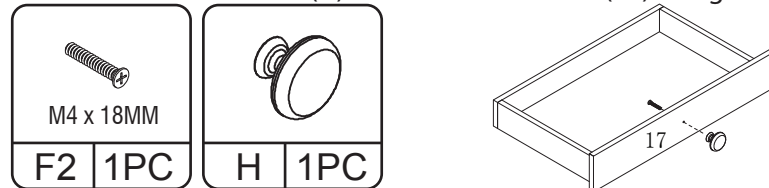
Insert one Small Cam (B2) into the Drawer Right Board (19) and one into the Drawer Left Board (18). Making sure the grooves are aligned, attach the Medium Drawer Front (17) to the Right and Left Boards by inserting the Bolts and tightening the Cams.



Slide Drawer Bottom A (21) into the grooves. Align the groove in the Medium Drawer Back (20) with the Drawer Bottom and fasten it to the Right (19) and Left (18) Drawer Boards using four Screws (E).

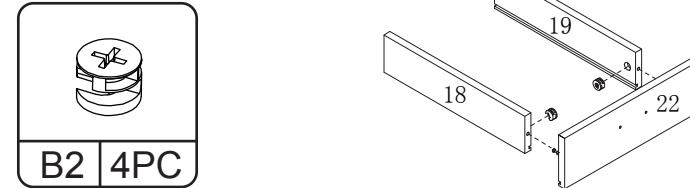


Attach the Small Handle (H) to the Drawer Front (17) using one Screw (F2).

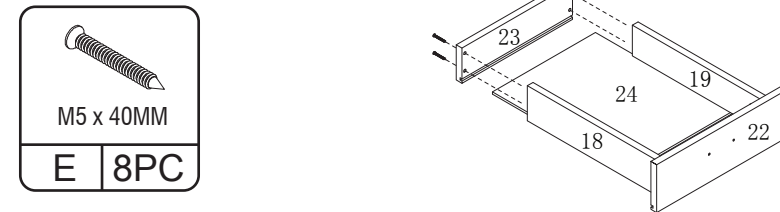


## STEP 15

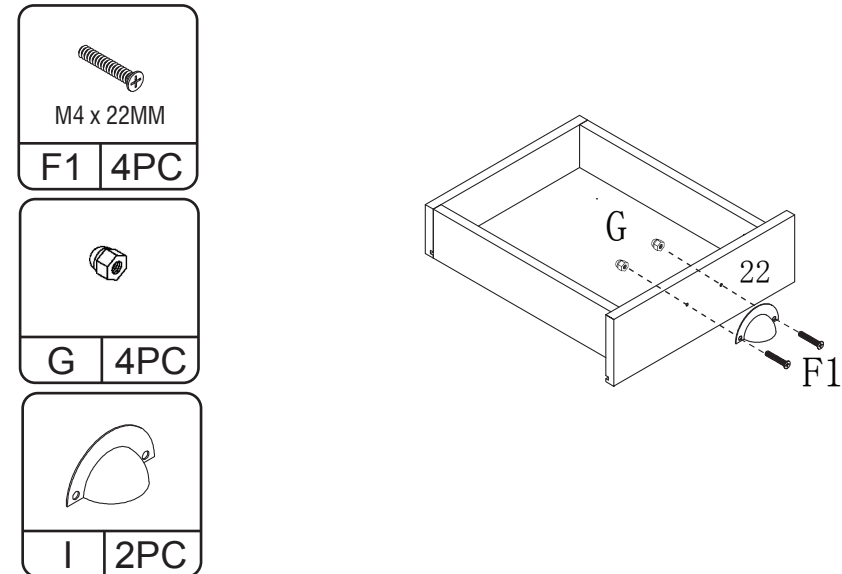
Insert one Small Cam (B2) into the Drawer Right Board (19) and one into the Drawer Left Board (18). Making sure the grooves are aligned, attach the Small Drawer Front (22) to the Right and Left Boards by inserting the Bolts and tightening the Cams.



Slide Drawer Bottom B (24) into the grooves. Align the groove in the Small Drawer Back (23) with the Drawer Bottom and fasten it to the Right (19) and Left (18) Boards using four Screws (E).

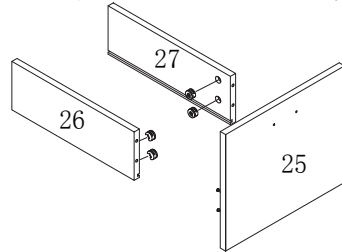
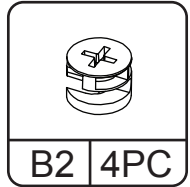


Attach a Large Handle (I) to the Drawer Front (22) using two Screws (F1) with two Nuts (G).

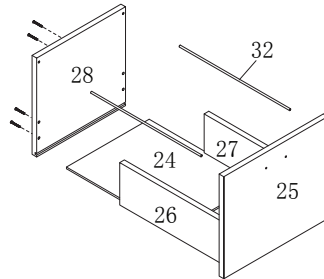


## STEP 16

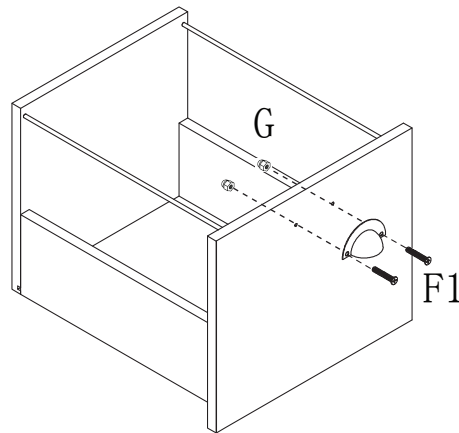
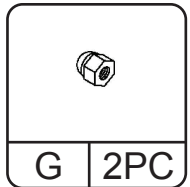
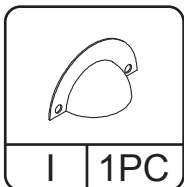
Insert two Small Cams (B2) into the Large Drawer Right (27) and two into the Large Drawer Left (26). Making sure the grooves are aligned, attach the Large Drawer Front (25) to the Right and Left Boards by inserting the Bolts and tightening the Cams.



Slide Drawer Bottom B (24) into the grooves. Align the groove in the Large Drawer Back (28) with the Drawer Bottom and fasten it to the Right (27) and Left (26) Boards using four Screws (E). At the same time, insert the File Holders (32) into the holes at the top of the Front and Back Boards.

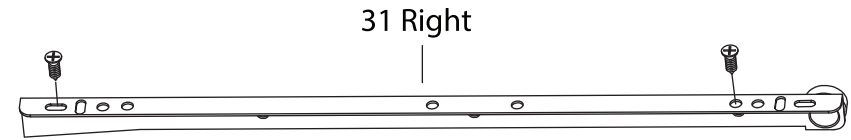


Attach a Large Handle (1) to the Drawer Front (22) using two Screws (F1) with two Nuts (G).

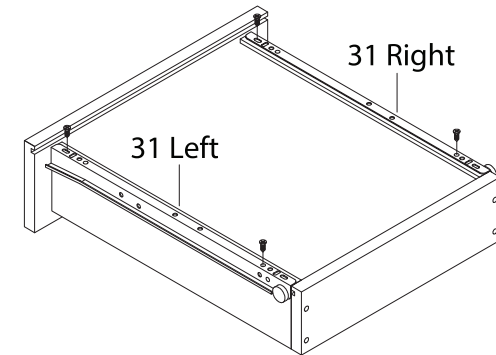
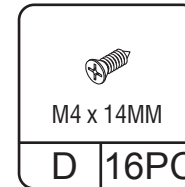


## STEP 17

Flip over the assembled drawer and attach a Right Inner Roller (31) and Left Inner Roller (31) with four Screws (D). The wheels should be at the back of the drawer. Use the outer holes for the screws as shown in the drawing.

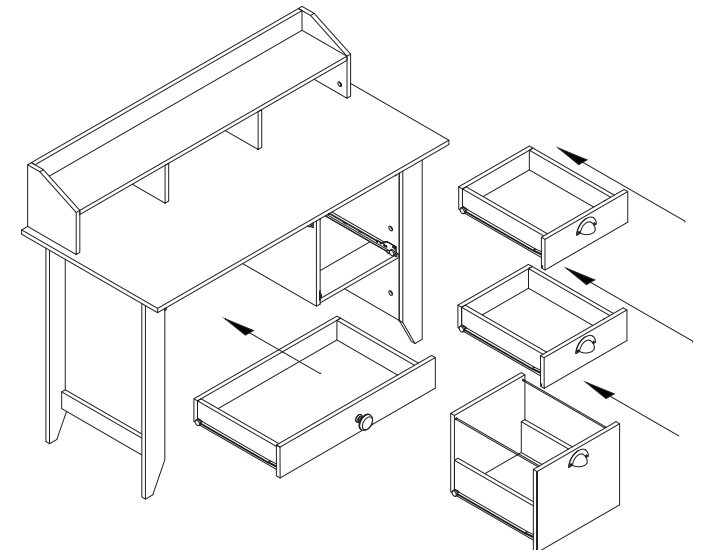
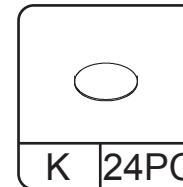


Repeat this step for the other two drawers.



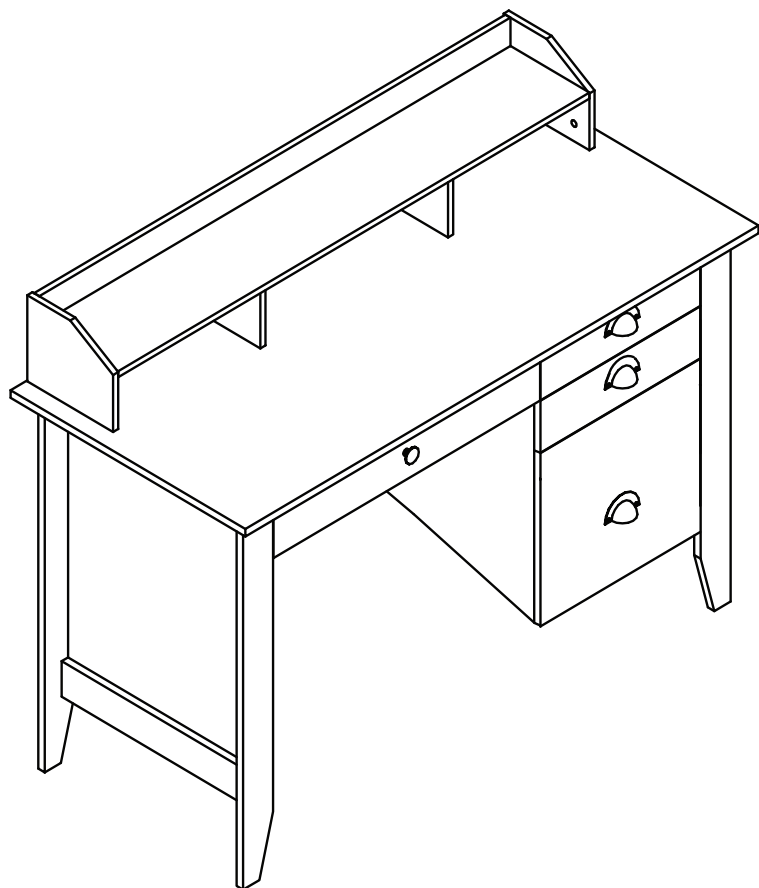
## STEP 18

Align the inner and outer rollers and insert the drawers. Place the Stickers (K) over the exposed Cams.



## STEP 19

---



Thanks Gracias!