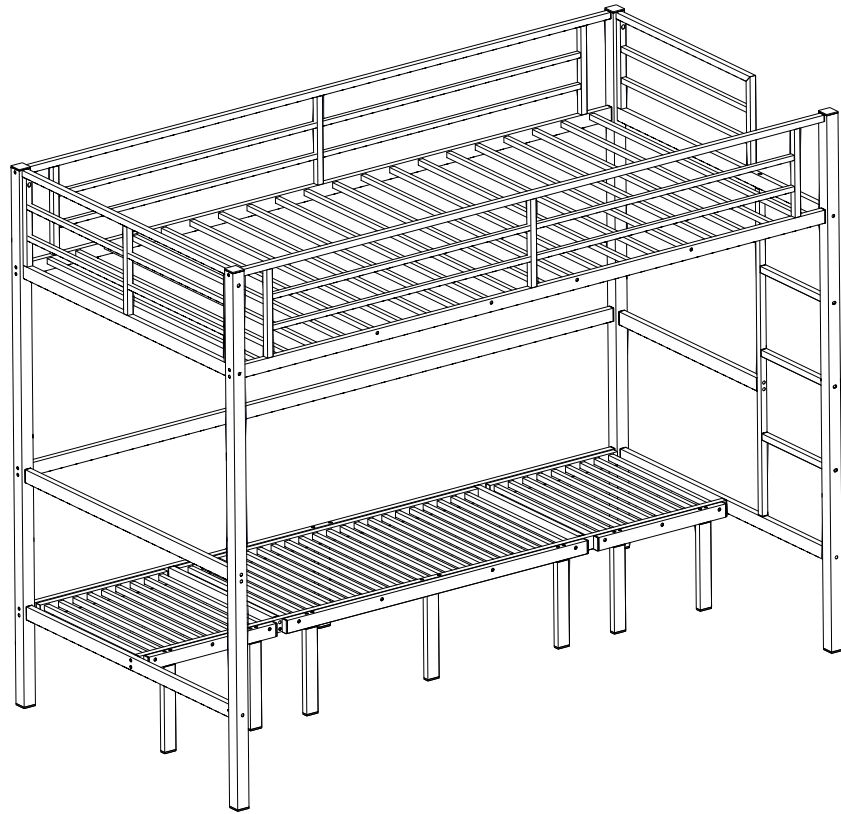
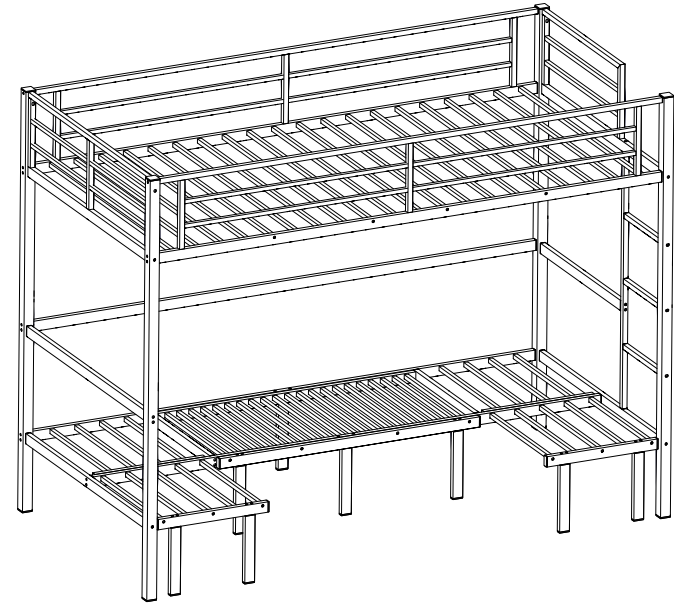


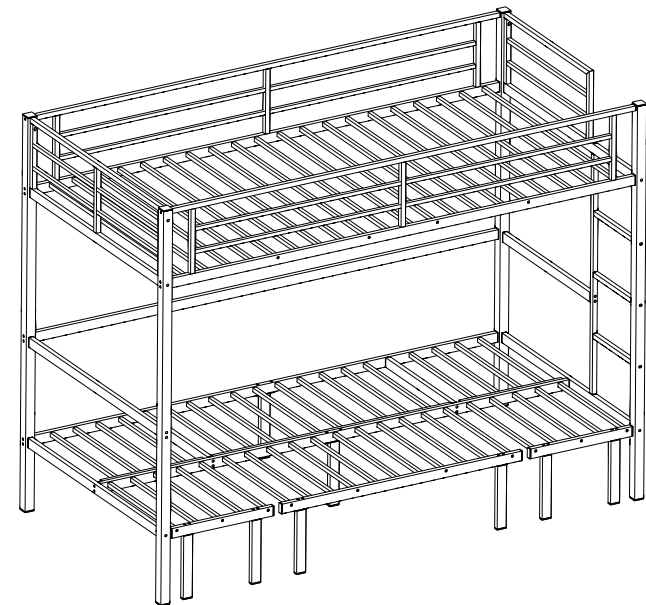
Assembly instructions



Left and right pulling effect



Full extension effect



SAFETY WARNINGS AND GENERAL NOTES:

1. Follow the information on the warnings on the bunk bed end structure and on the carton. Do not remove the warning label from the bed.
 2. Always use the recommended size mattress on mattress support, or both, to help prevent the likelihood of entrapment or falls.
 3. Do not allow children under 6 years of age to use the upper bunk.
 4. Periodically check and ensure the guardrail, ladder and other components are in their proper position, free from damage, and all connectors are tight.
 5. Do not allow horseplay on or under beds.
 6. Always prohibit jumping on the bed.
 7. Prohibit more than one person on upper bunk.
 8. Always use the ladder for entering and leaving the upper bunk.
 9. Do not use substitute parts. Contact the manufacturer or dealer for replacement parts.
 10. Use of a night-tight may provide added safety precaution for a child using the upper bunk.
 11. Always use guardrails on both long sides of the upper bunk.
 12. If the bunk bed will be placed next to a wall, the guardrail that runs the full length of the bed should be placed against the wall to prevent entrapment between the bed and the wall.
- The use of water or sleep flotation mattresses is prohibited.
13. **STRANGULATION HAZARD**-Never attach or hang items to any part of the bunk bed that are not designed for use with the bed ; for example, but not limited to, hooks, belts and jump ropes.
 14. Keep these instructions for future reference.
 15. We recommend assembling your bunk bed on the shipping carton to protect your floor or carpet.
 16. Be certain all staples are out of the box before beginning assembly on the shipping carton.
 17. USE ONLY MATTRESSES WHICH ARE AS THE TABLE BELOW ON UPPER AND ON LOWER BUNKS.

Upper bed

Bed type	Length	Width	Thickness
Queen Standard	79" - 80"	38 ½"	6" max

Bottom bed

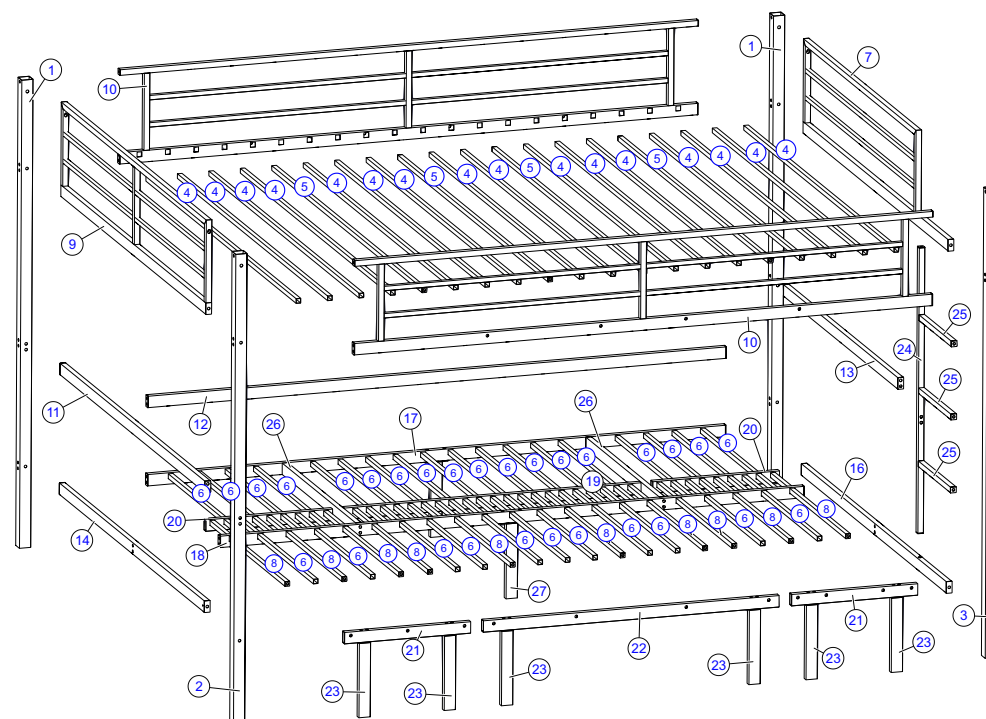
Bed type	Length	Width	Thickness
Queen Standard	79" - 80"	38 ½"	8"

18. SURFACE OF MATTRESS MUST BE AT LEAST 5"(127MM) BELOW THE UPPER EDGE OF GUARDRAILS.








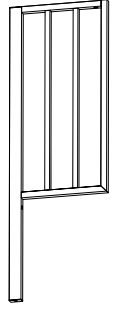
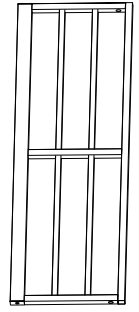
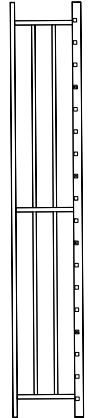




19. Replacement Parts:

Replacement Parts, including additional guardrails, may be obtained from any of our dealers.




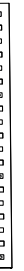

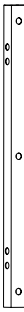

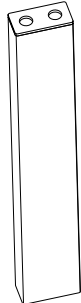

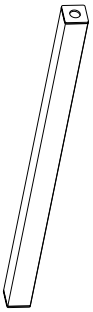

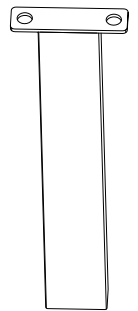
Component distribution preview



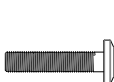


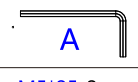
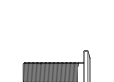

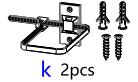
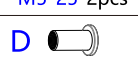

PARTLIT

				
1-2pcs	2-1pcs	3-1 pcs	4-16pcs	5-4pcs
				
6-29pcs	8-10pcs	7-1pcs	9-1pcs	10- 2 pcs
				
11-1pcs	12-1pcs	13-1pcs	14-1pcs	

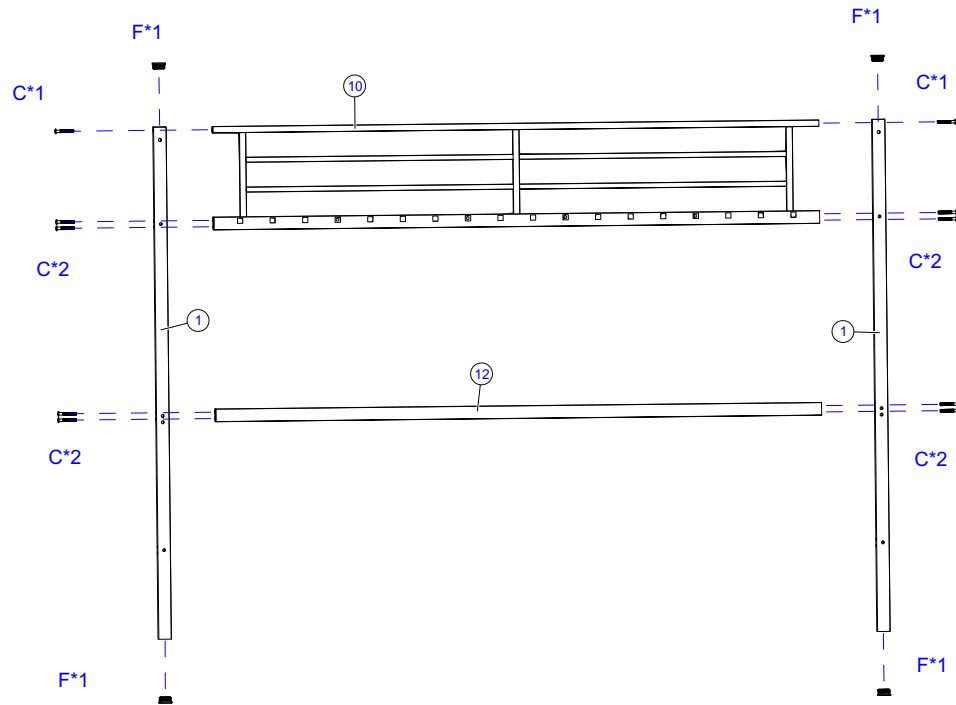
PARTLIT



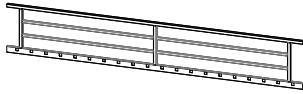
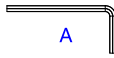


				
16-1pcs	17-1pcs	18- 1 pcs	19-1pcs	20-2pcs
				
21-2pcs	22-1pcs	23-6pcs	24-1pcs	25- 3 pcs
				
26-2pcs	27-2pcs			

HARDWARE LIST

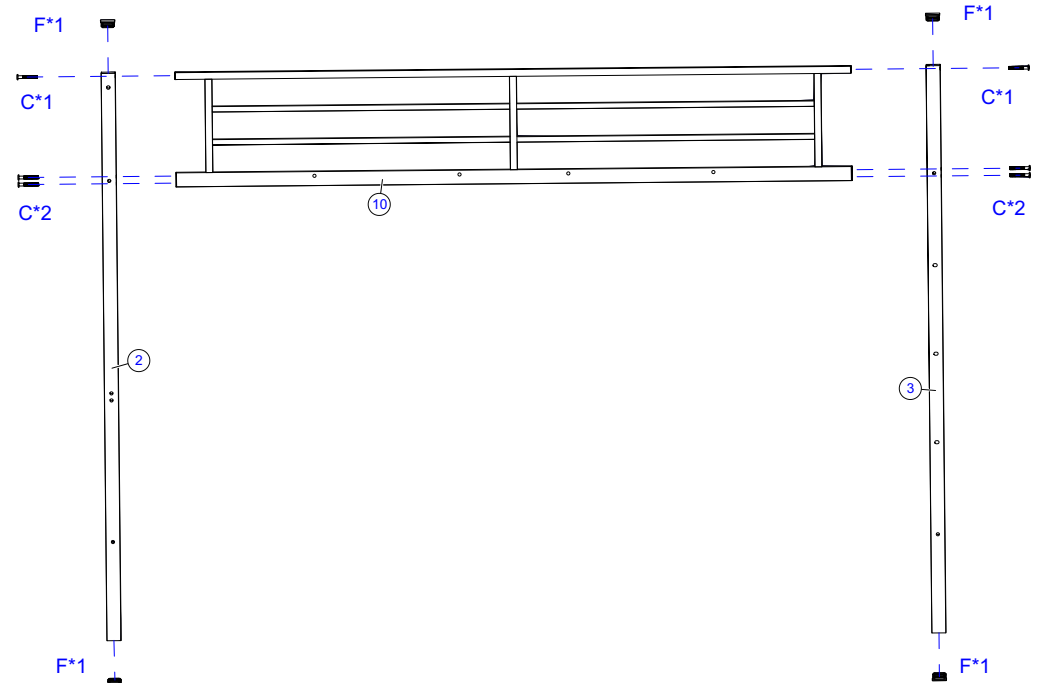
						
B	C	H	A	E	F	G
M8*35-21pcs	M8*55-51pcs	M8*30-11pcs	M5*25-2pcs	M8*15-20pcs	40FQ*34-8pcs	G-18pcs
						
			D		K	
			ΦM8*16-7pcs		k 2pcs	



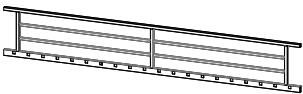
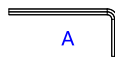


Step 1: Use hardware A,C,F to connect #1,#12,#10, together



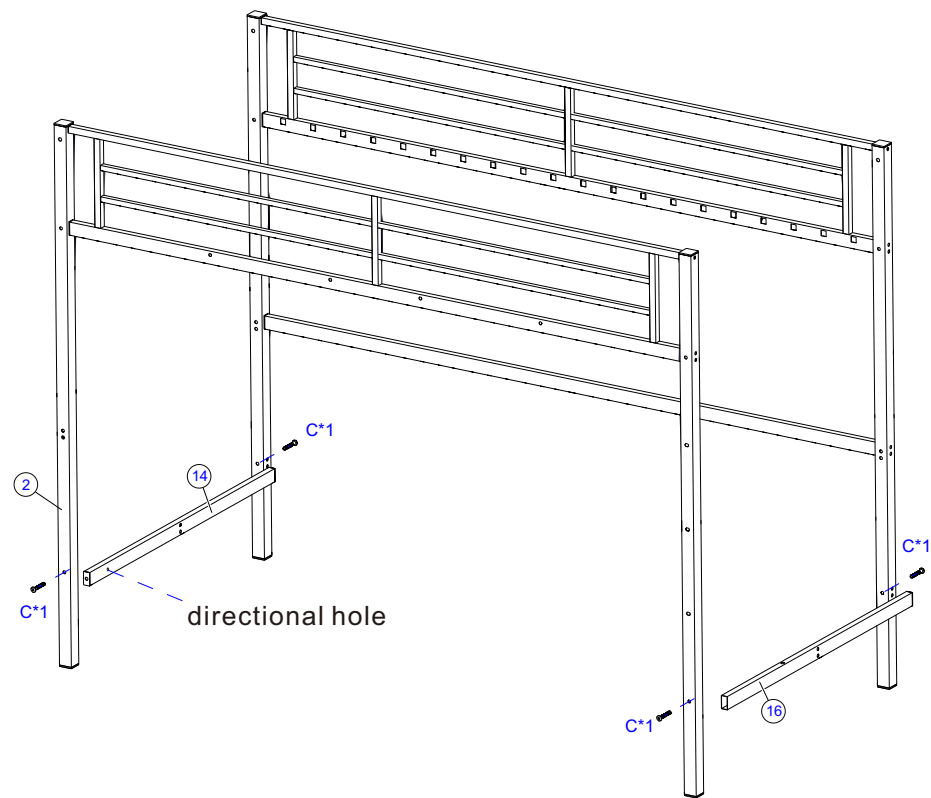
				
1-2pcs	12-1pcs	10-1pcs	A	F
				40FQ*34-4pcs
				
				C
				M8*55-10pcs

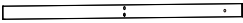
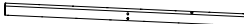

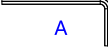
Step 2: Use hardware A,C,F to connect #2,#3,#10 together



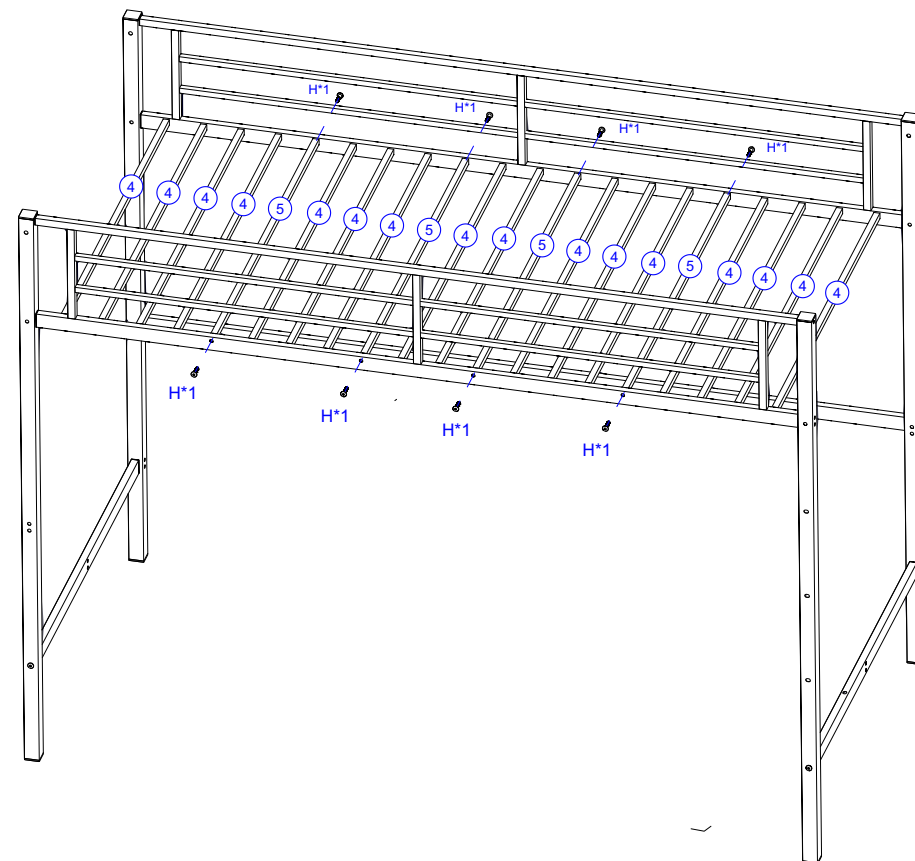
				
2-1pcs	3-1pcs	10-1pcs	A	F
				40FQ*34-4pcs
				
				C
				M8*55- 6pcs




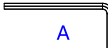
Step 3: Use hardware A, C to connect #14, #16 together
 Pay special attention to the fact that Part #14 has a directional hole.
 During installation, the end with the directional hole should be connected to #2.



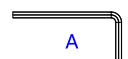
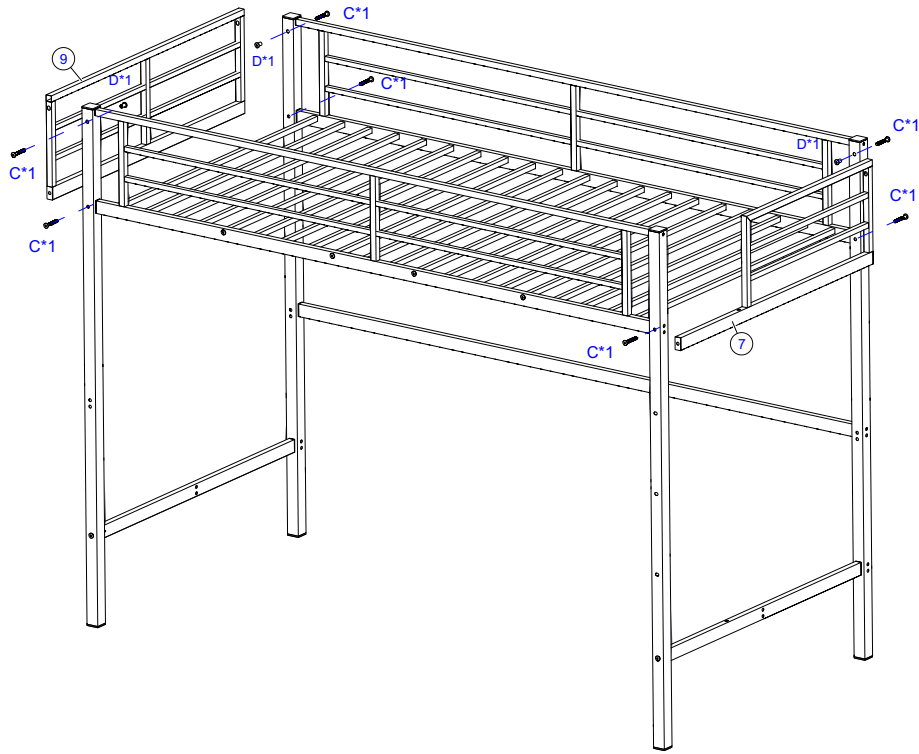
			
14-1pcs	16-1pcs	M8*55-4 pcs	

Step 4: Use #4 and #5 to insert into the corresponding square hole of #10, and use hardware A, H to connect #5, #10 together

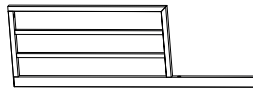
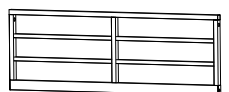



			
4-16pcs	5-4pcs	M8*30-12pcs	

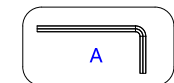
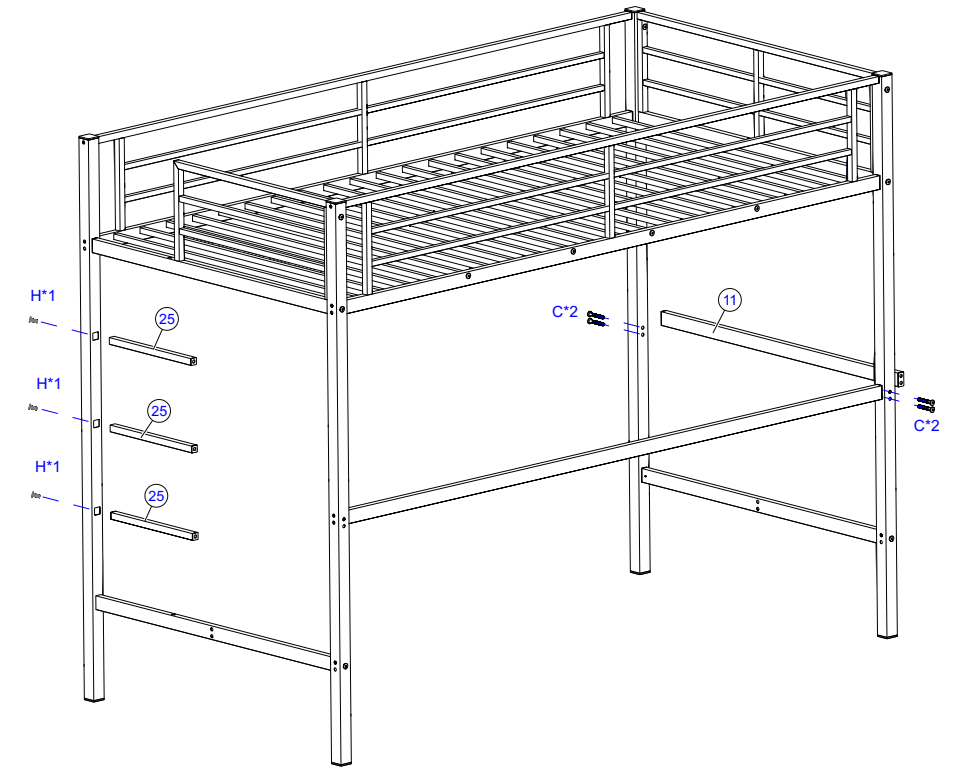
Step 5: Use hardware A,C,D to tighten #7,#9 connections.







HARDWARE LIST

		
7-1pcs	9-1pcs	M8*55-3pcs ΦM8*16-5pcs

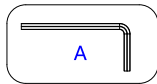
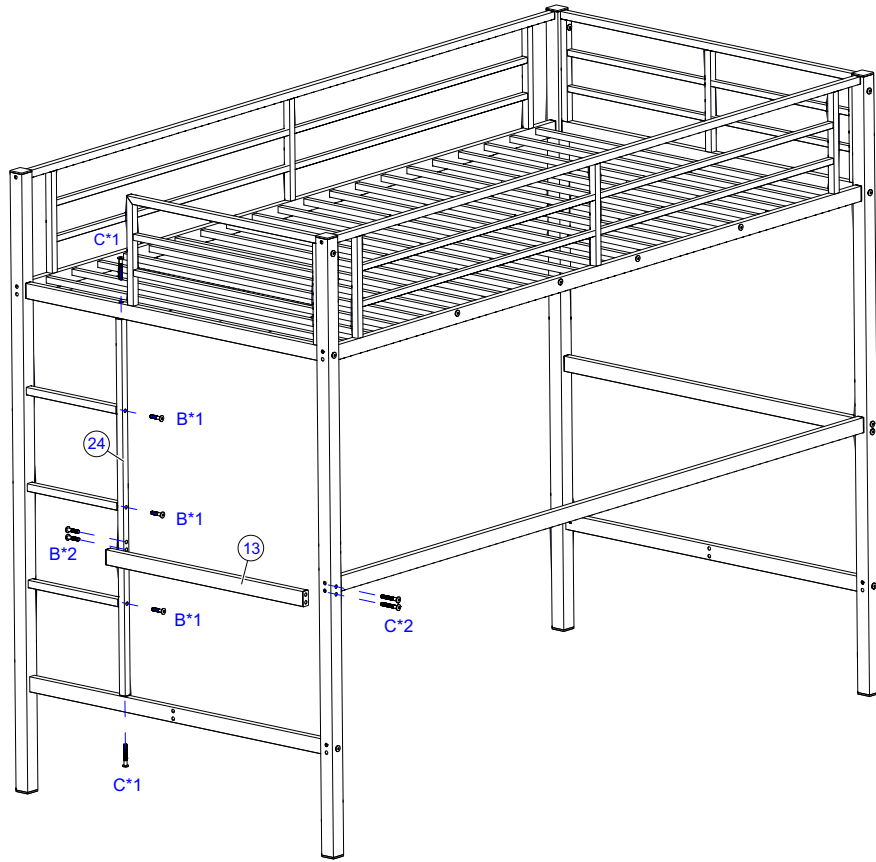
Step 6: Use hardware A,C,H to connect #11,#25 together.







HARDWARE LIST

			
M8*55-4pcs	M8*30-3pcs	25-3pcs	11-1pcs

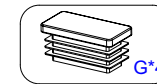
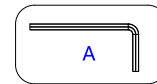
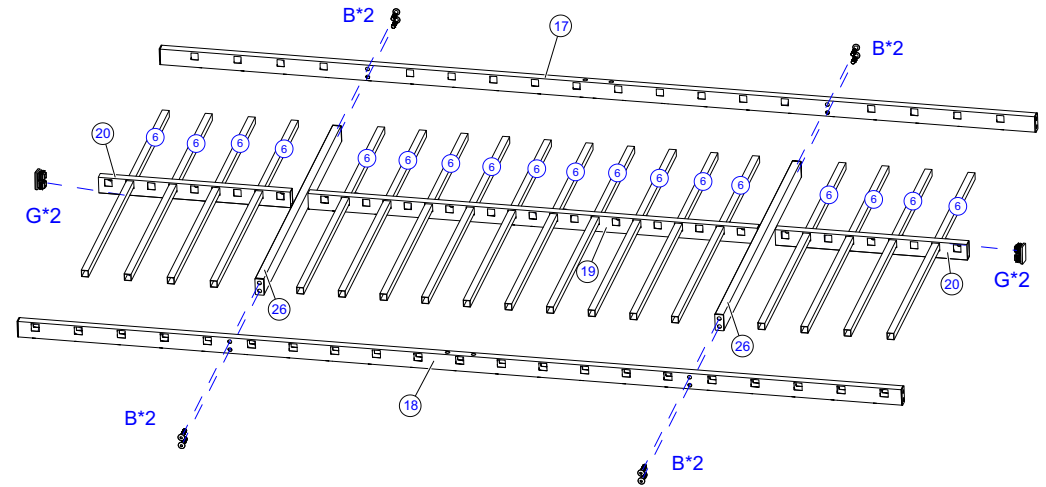
Step 7: Use hardware A, B, C to connect #13, #24 together.



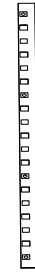





HARDWARE LIST

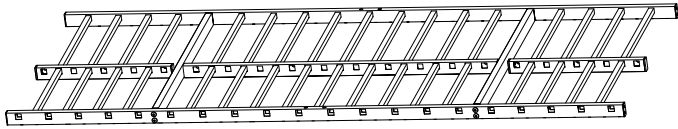
			
C	B		
M8*55-4pcs	M8*35 -5pcs	13- 1pcs	24- 1pcs

Step 8: Place the materials on the ground according to the figure. Use #6 to insert into the corresponding square hole of #17, #18, #19, #20 and use hardware A, B to tighten the #17, #18, #26 connections

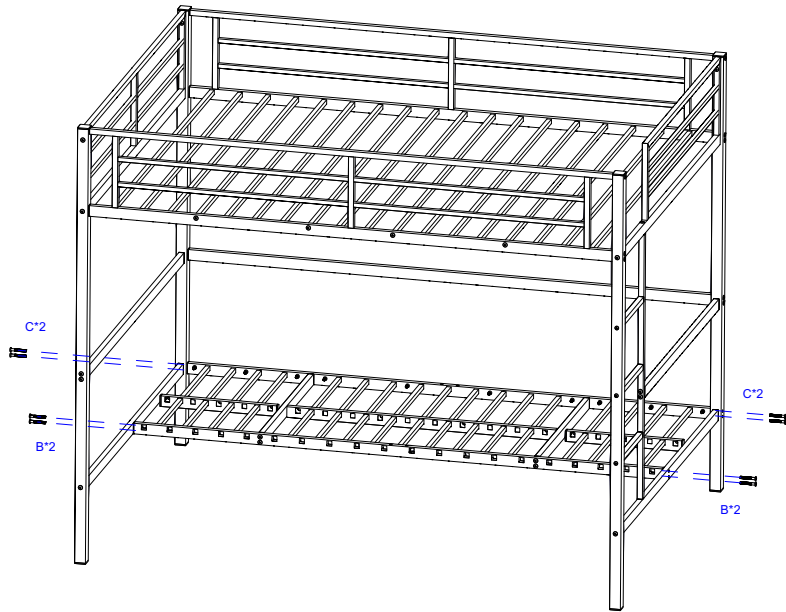


					
17- 1pcs	18- 1pcs	19- 1pcs	20- 2pcs	26- 2pcs	B
					6-18pcs
					M8* 35 -8pcs



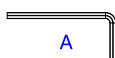
Step 9: The effect after the previous step is completed is as follows



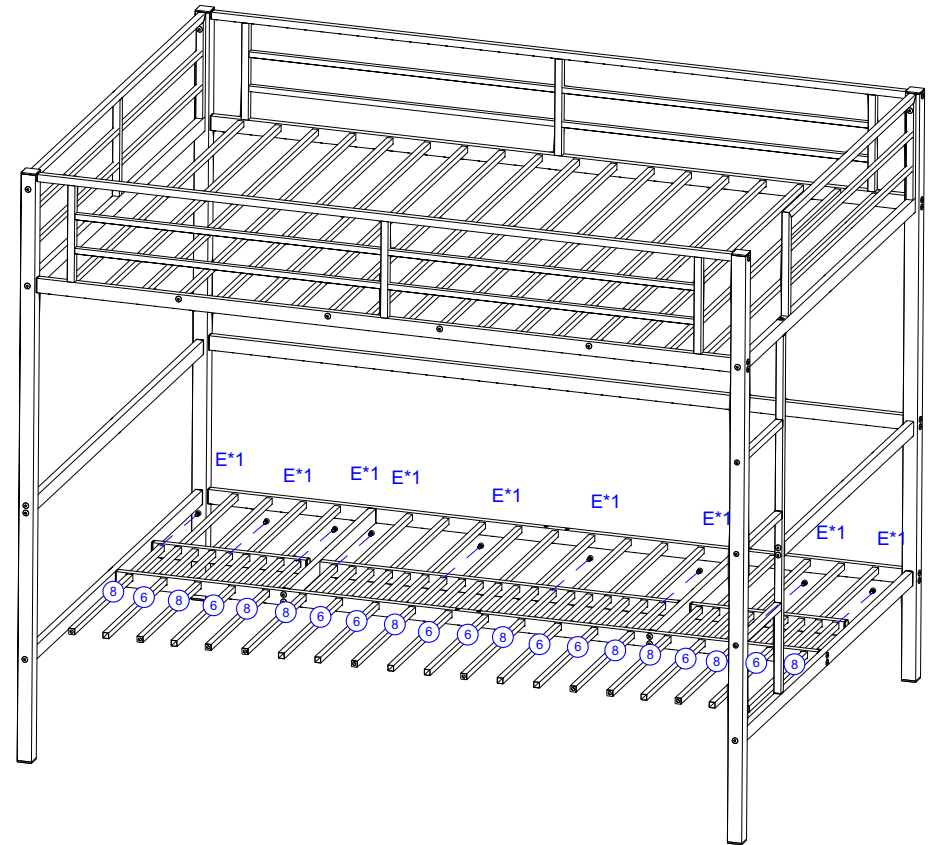
Step 10: This step requires two people to operate and install the semi-finished products of the previous step together. Use hardware A, B, C to connect #14, #16 together.



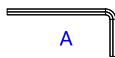



HARDWARE LIST

			
C	B	A	
M8*55-4pcs	M8*35 -4pcs		

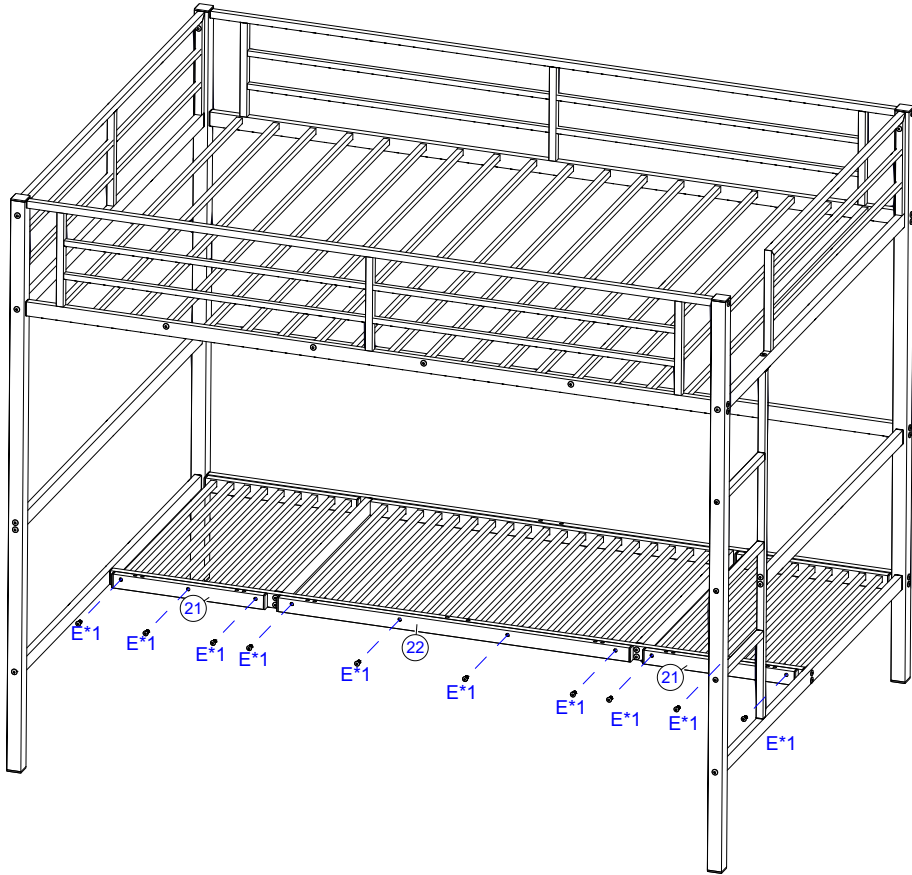
Step 11: Use #6, #8 to insert into the corresponding square hole of #18, #19, #20 and use hardware A, E to tighten the #8, #19, #20 connections



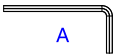

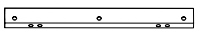
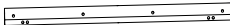
HARDWARE LIST

			
A	E		
	M8*15 -10pcs	8-10pcs	6-11pcs

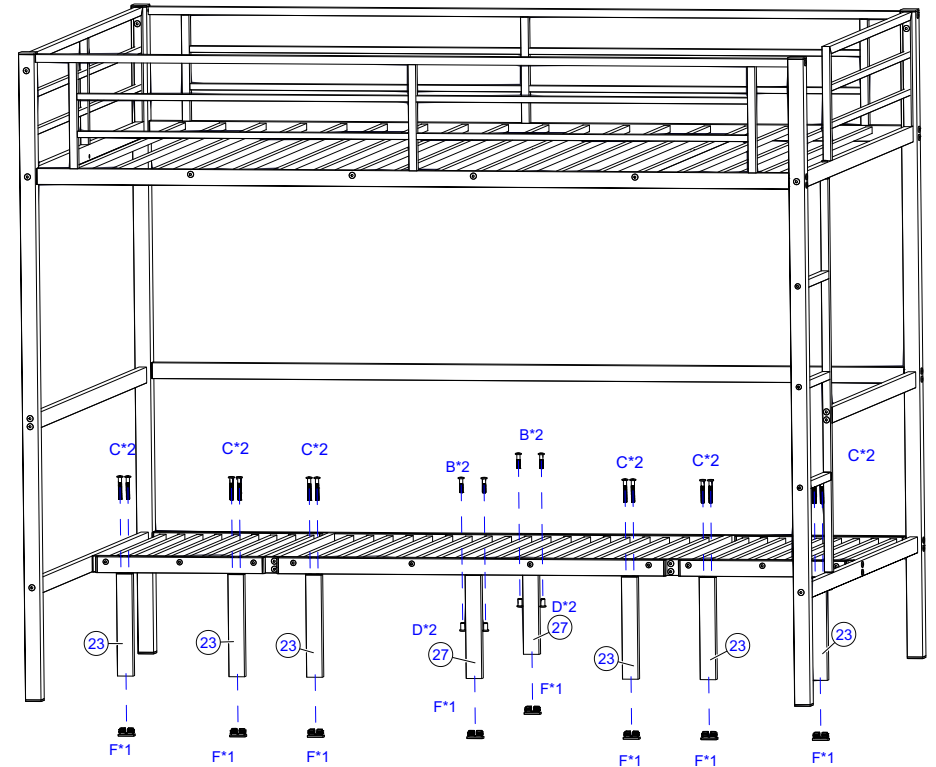
Step 12: Use hardware A, E to connect #21, #22 together.








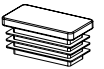

HARDWARE LIST

			
A	E		
	M8*15 -10pcs	21-2pcs	22-1pcs

Step 13: Use hardware A, B, C, D, G to connect #23, #27 together.

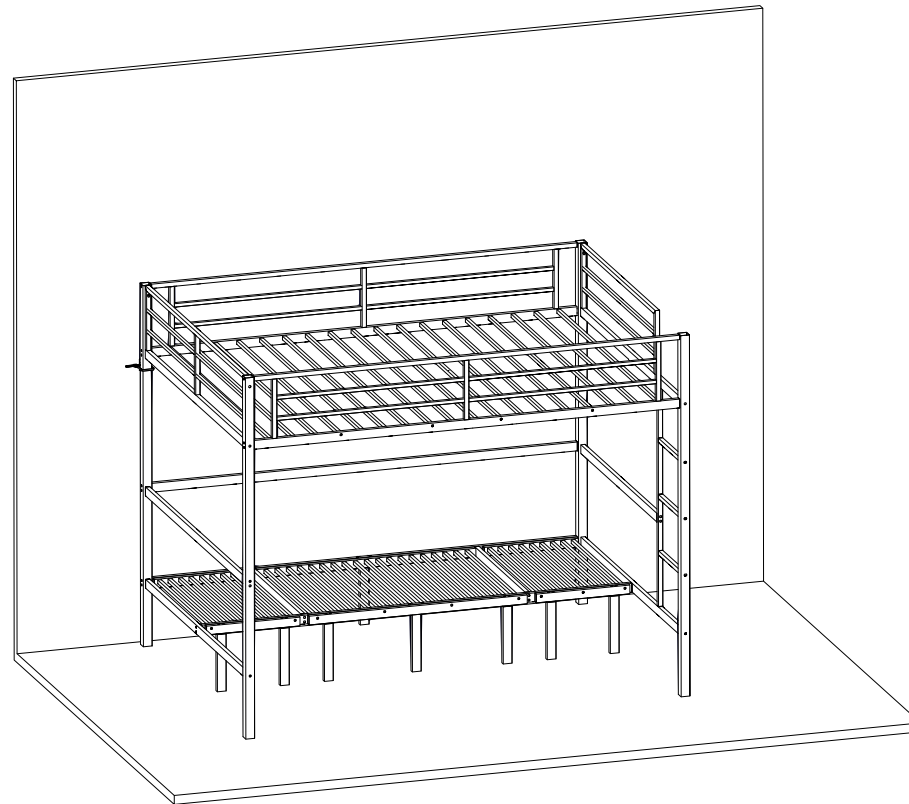
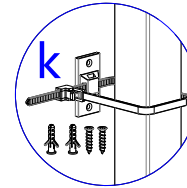


HARDWARE LIST

						
23-6 pcs	27- 2pcs	B	C	D	G	A
		M8*35- 4pcs	M8*55-12pcs	ΦM8*16- 4pcs	G- 8pcs	

Completed attic bed

Fix the wall, prevent movement,
selective installation



Note: Tighten all the steps before use,
thank you.



Recyclable garbage