

## CARE AND MAINTENANCE

Store outdoor furniture indoors or cover well when not in use.

Remove wooden furniture from standing water. Dust regularly with small brush or vacuum

Spills should be taken care of immediately before they harden or stain with a slightly dampened sponge.

## NOTICE

\* Please make sure that you have all parts indicated before you begin assembly of this item

\* This item should be assembled on a soft surface to prevent scratching the finish during assembly

\* This item may require periodic tightening

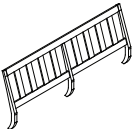
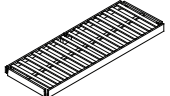
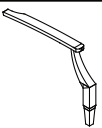
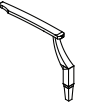
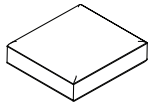
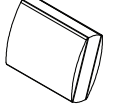

**Weight Capacity : 600 Ibs**


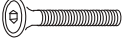
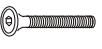


**Warning : Do not stand on chair**

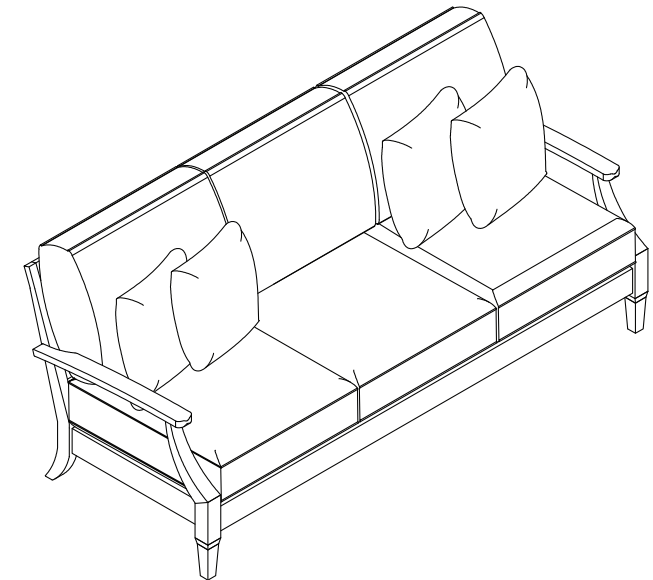
**Warning : Do not over torque bolts / screws**



## Part List and Hardware List

PIECE	DESCRIPTION	PICTURE	QUANTITY
A	Frame back		1X
B	Frame Seat		1X
C	Frame Leg 1		1X
D	Frame Leg 2		1X
E	Cushion seat		3X
F	Cushion Back		3X
G	Pillow		4X

PIECE	DESCRIPTION	PICTURE	QUANTITY
H	Bolt	 M8x70	8X
I	Bolt	 M8x50	2X
K	Bolt	 M6x50	2X
L	Washer	 M8.5/20X20	10X
M	Allen key	 LG4	1X



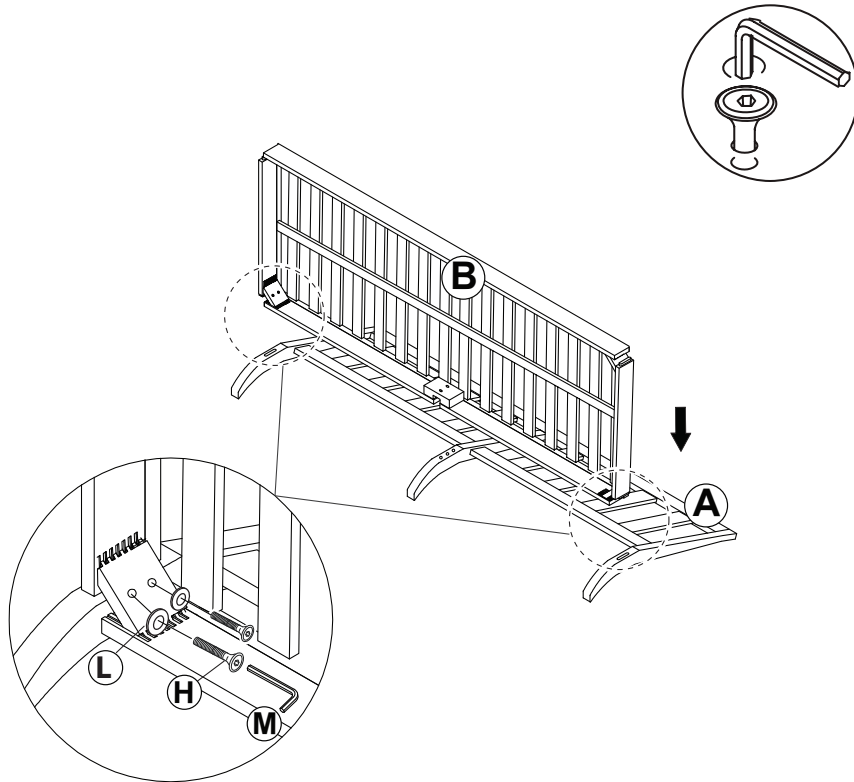
## PREPARATION

Before beginning assembly of product, make sure all parts are present. Compare parts with package contents list and hardware contents list. If any part is missing or damaged, do not attempt to assemble the product.

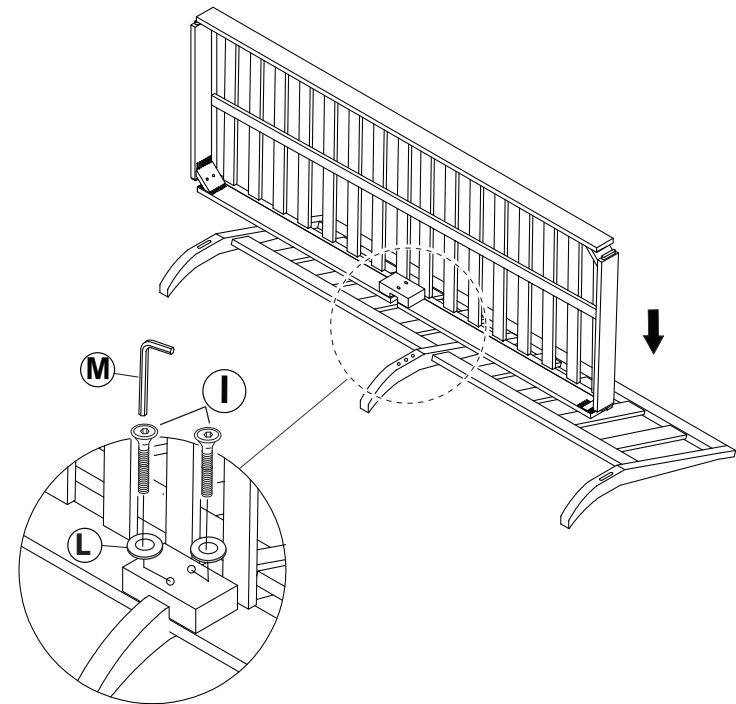
Estimated Assembly Time: 10 minutes.

Tools Required for Assembly (included): Allen Key

1



2



### Step 1

Attach Frame seat (B) to Frame back (A) ,use Bolt (H) and Washer (L) tighten with allen key (M).

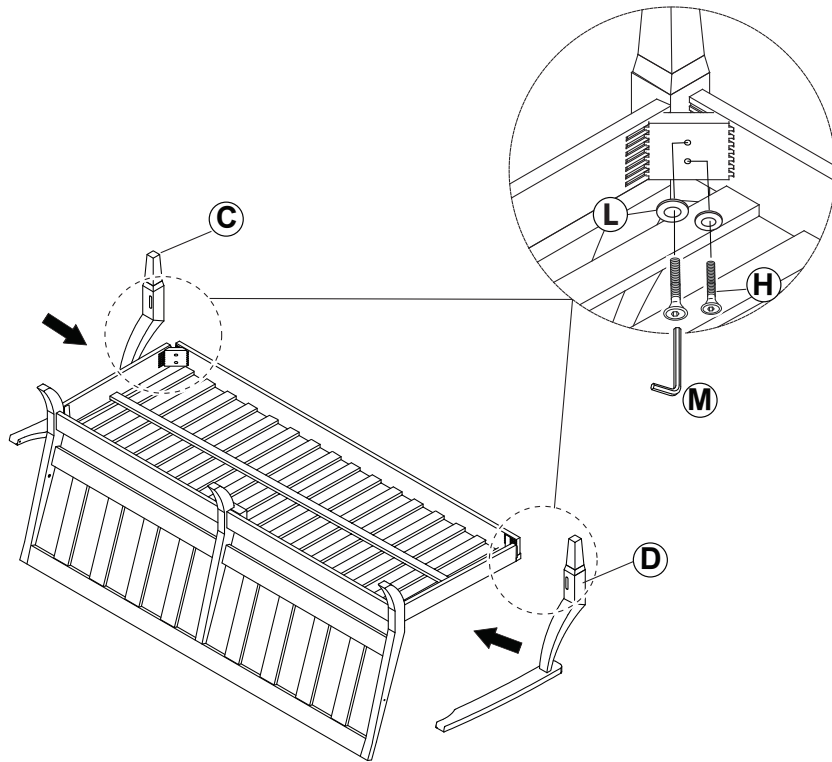
## PREPARATION

Before beginning assembly of product, make sure all parts are present. Compare parts with package contents list and hardware contents list. If any part is missing or damaged, do not attempt to assemble the product.

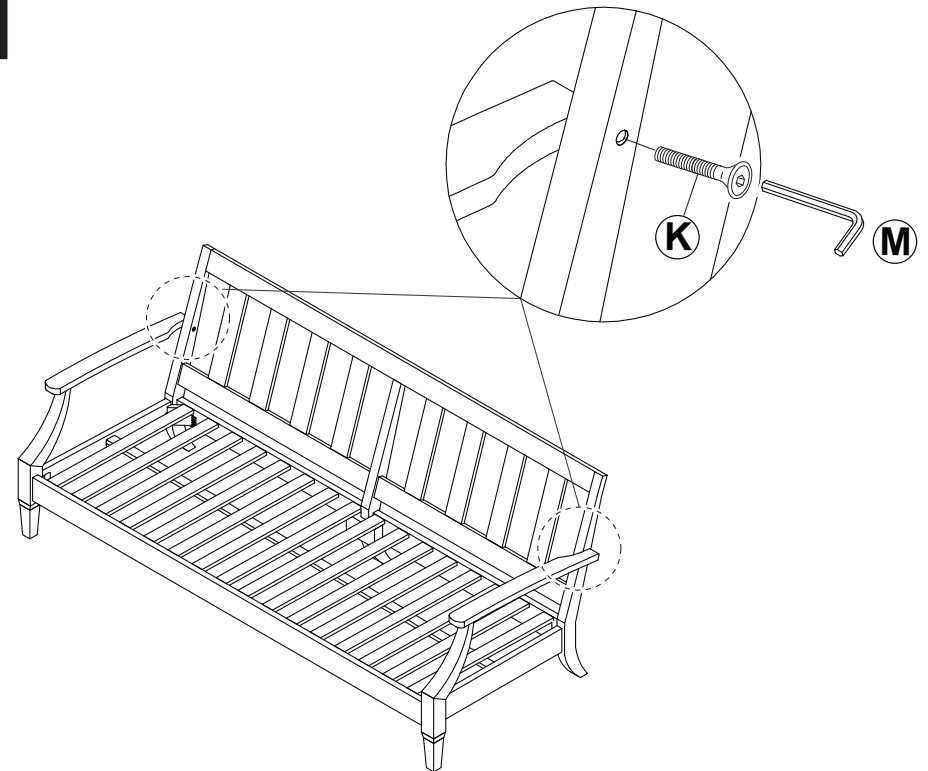
Estimated Assembly Time: 10 minutes.

Tools Required for Assembly (included): Allen Key

3



4



### Step 3

Attach Frame leg (C) to Frame leg (D), Use Bolt (H) and Washer (L) tighten with allen key (M).

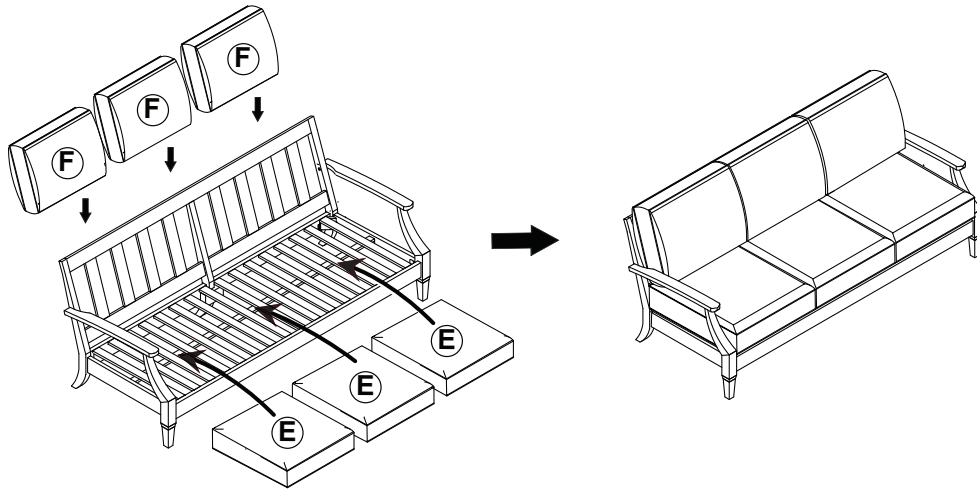
## PREPARATION

Before beginning assembly of product, make sure all parts are present. Compare parts with package contents list and hardware contents list.  
If any part is missing or damaged, do not attempt to assemble the product.

Estimated Assembly Time: 10 minutes.

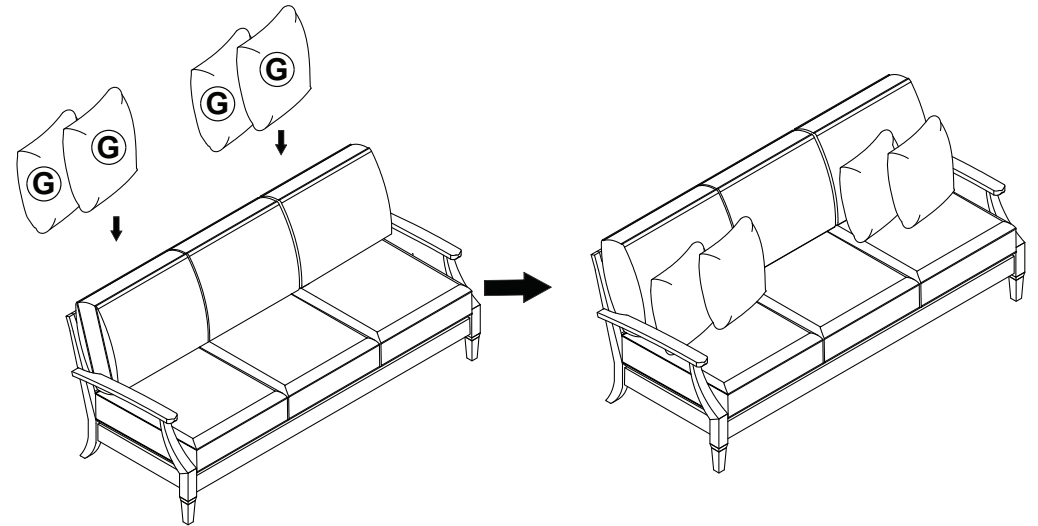
Tools Required for Assembly (included): Allen Key

5



Step 5  
Attach Cushion seat (E) and Cushion back (F).Complete

6



Step 6  
Attach Pillow (G) and Complete