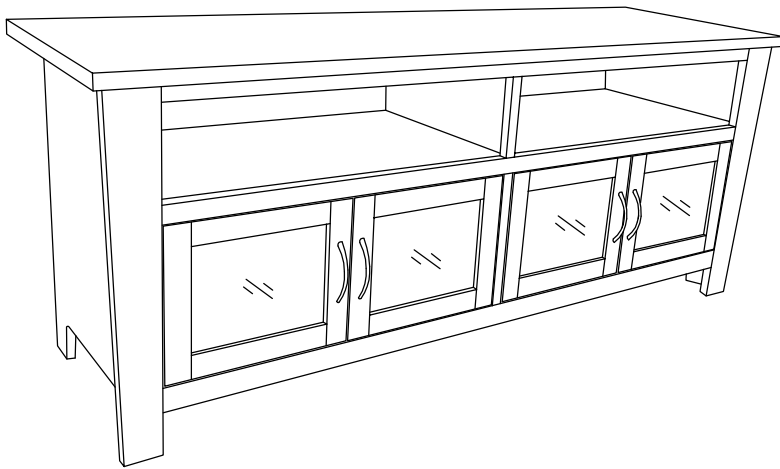


ASSEMBLY INSTRUCTIONS



TOOLS REQUIRED



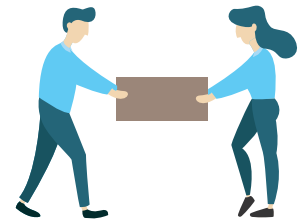
Allen Wrench

(Included)



Phillips
Screwdriver

(Not Included)



**2 - People
Recommended**

ASSEMBLY RATING



EASY —————> DIFFICULT

The Assembly Rating is a 5-point system showing the level of effort needed to assemble a specific product.

PRE ASSEMBLY INTRODUCTION

We understand building ready-to-assemble furniture can be a challenging experience for some. To help avoid confusion, we have provided some helpful tips that may speed up the process.



Teamwork

ALWAYS have at least two people to help with transporting and assembling the product to avoid potential injury and/or damage.



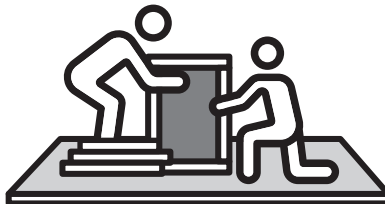
Suitable Location

Assembling near the area of the intended location is highly recommended.



Sufficient Space

Make sure you have enough space to move around during the assembly.



Avoid Scratches

Use cardboard, blankets or a carpeted area while assembling furniture to prevent scratches.



Flat Surface

Make sure the furniture rests on a flat and level surface with each leg evenly touching the floor.

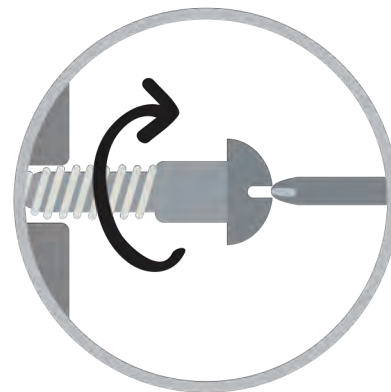
ASSEMBLY AND CARE ADVICE



FAILURE TO FOLLOW THE GUIDELINES BELOW MAY RESULT IN INJURY AND/OR PROPERTY DAMAGE.



Position each part correctly and insert screws or bolts into their respective holes.



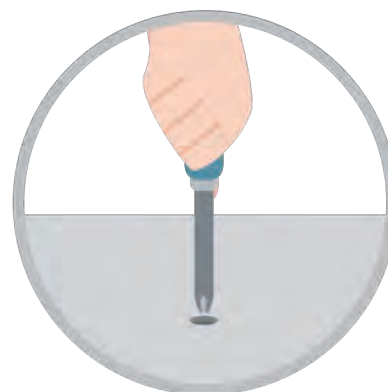
Turn clockwise to tighten and only tighten when step is completed or when instructed to do so.



Use the appropriate hand tools or power tools for assembly. Select steps, such as tightening screws and/or bolts, may require hand tools to avoid causing damage during assembly.



Save the instructions and store any supplied tools for later maintenance.



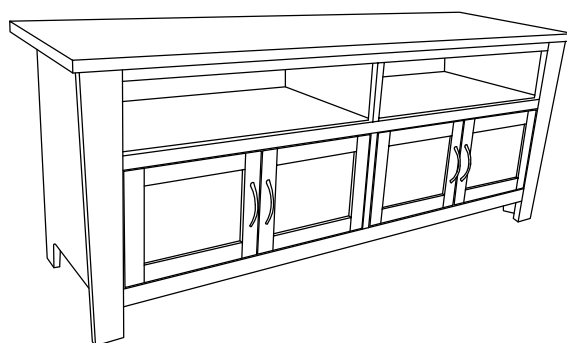
After two weeks, check and tighten any loose hardware and repeat again every six months thereafter.

IT IS THE USER'S RESPONSIBILITY TO MAINTAIN THE FURNITURE. THE HARDWARE MAY LOOSEN OVER TIME AND MAY CAUSE THE FURNITURE TO BE WOBBLY AND UNABLE TO SUPPORT ITS INTENDED WEIGHT CAPACITY. THIS MAY LEAD TO COLLAPSE AND MAY CAUSE SERIOUS INJURY.

TV STAND

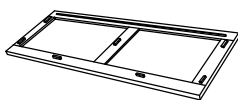


- Please keep instructions for future reference.
- Check the quantity and irregularity of parts and hardware before you start.



PARTS

#1 1pc



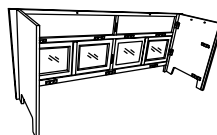
Top Panel

#2 1pc



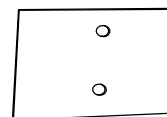
Medium Panel

#3 1pc



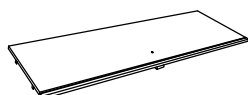
Front Frame

#4 2pcs



Back Panel

#5 1pc



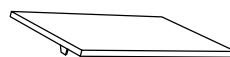
Bottom Panel

#6 1pc



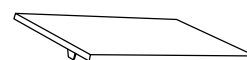
Support Wood

#7 1pc



Right Shelf

#8 1pc



Left Shelf

HARDWARE

#A 1pc



Allen Wrench M4

#B 7pcs



Bolt Ø1/4"X1-1/4"

#C 7pcs



Lock Washer Ø1/4"

#D 7pcs



Flat Washer Ø1/4"

#E 4pcs



Knob

#F 8pcs



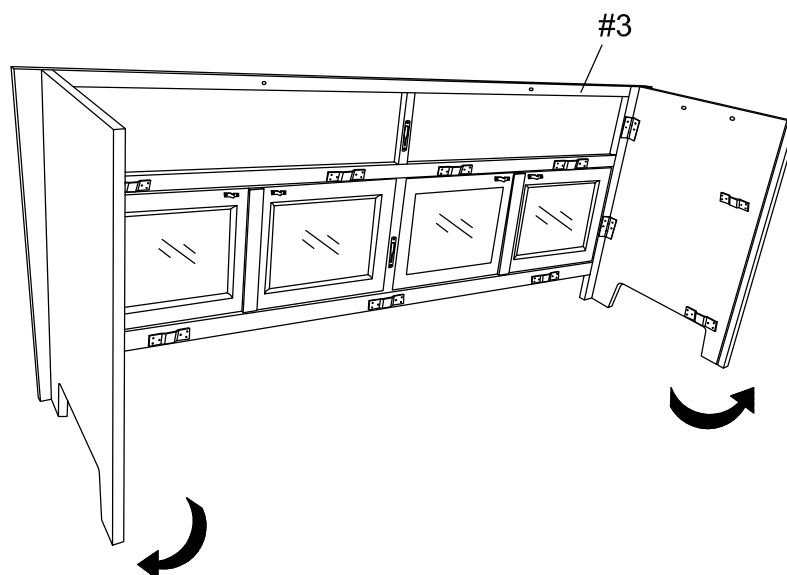
Screw Ø5/32"X1"

ASSEMBLY INSTRUCTIONS

1

Part #3 X1pc

Unfold the front frame (#3).

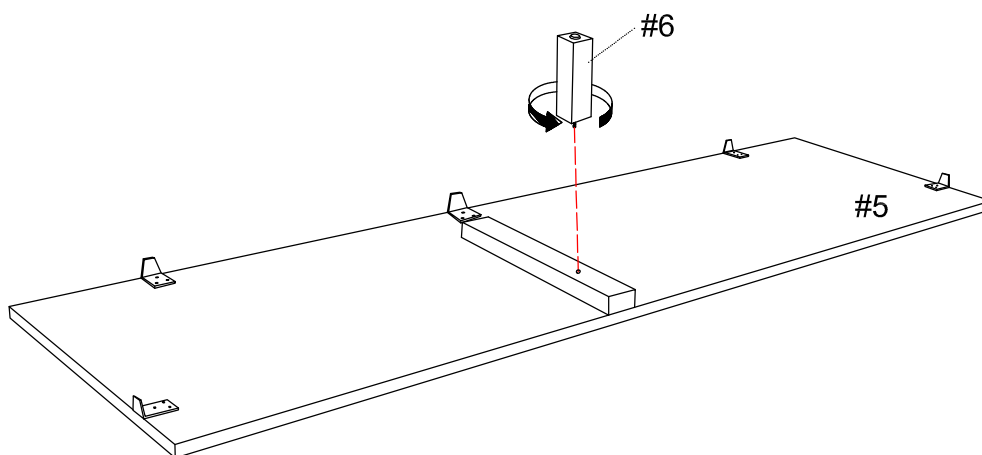


2

Part #5 X1pc

Part #6 X1pc

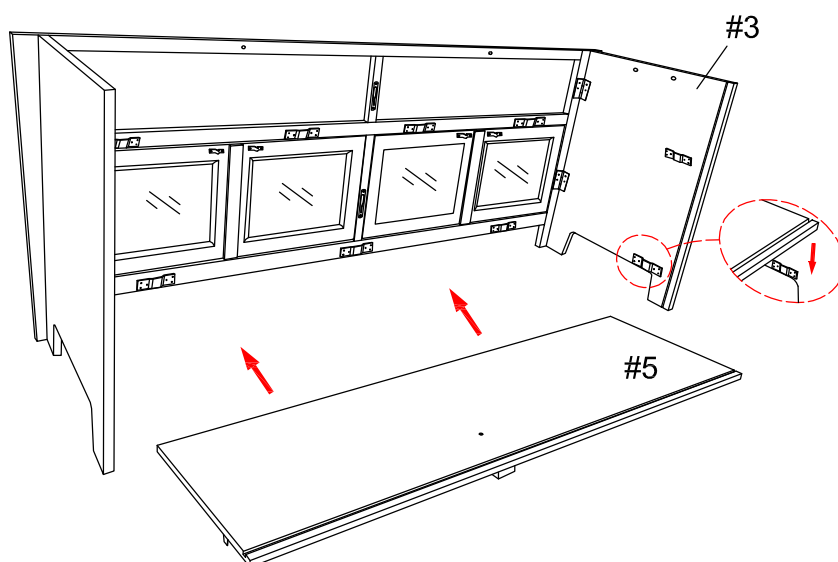
Attach support legs (#6) to the holes of the bottom panel (#5).



ASSEMBLY INSTRUCTIONS

3

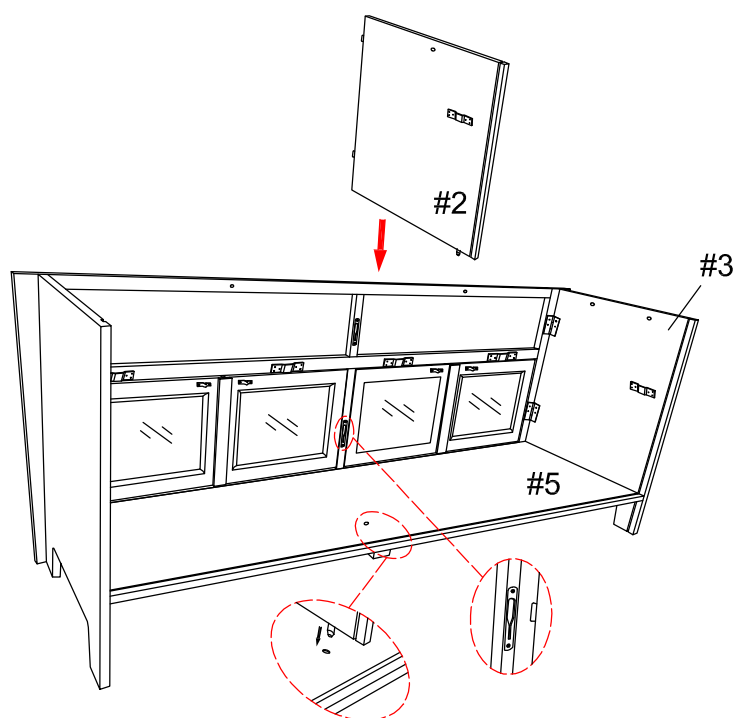
Insert bottom panel (#5) to the brackets of the front frame (#3).
Make sure the bottom panel (#5) is in place.



4

Part #2 X1pc

Align and attach medium panel (#2) to the
front frame (#3) and bottom panel (#5).



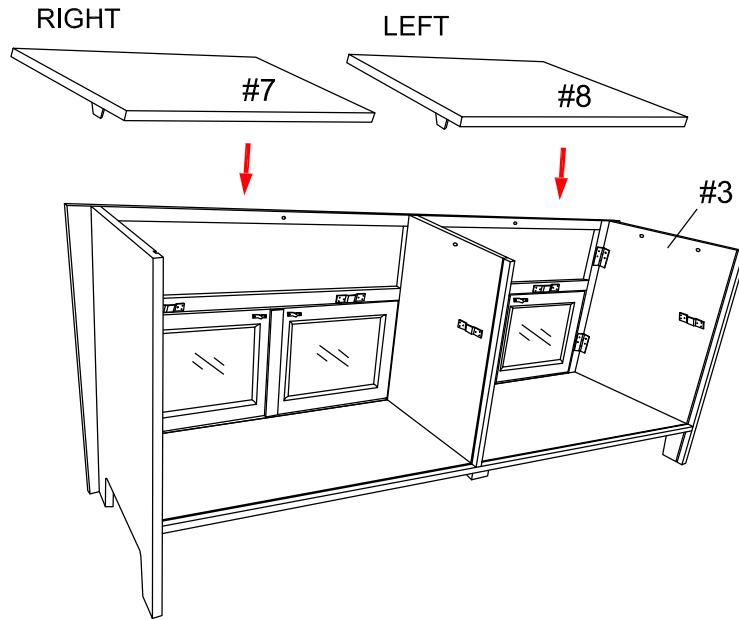
ASSEMBLY INSTRUCTIONS

5

Part #7 X1pc

Part #8 X1pc

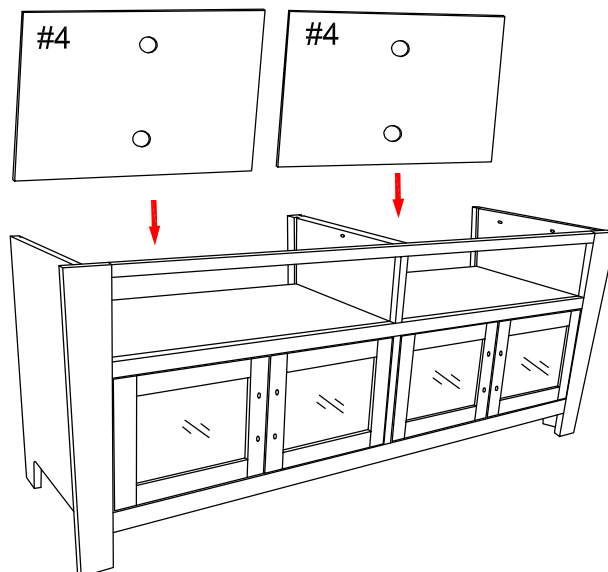
Insert shelves (#7,8) through the brackets of the TV-Stand.
Make sure shelves (#7,8) are firmly in place.



6

Part #4 X2pcs

Slide back panels (#4) through the thin lined gaps of the TV-Stand.



ASSEMBLY INSTRUCTIONS

77

Part (#1) X1pc

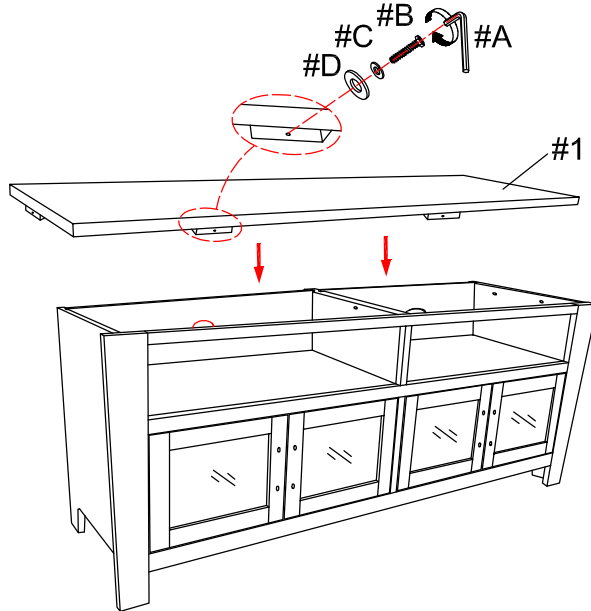
Hardware (#B) X7pcs

Hardware (#C) X7pcs

Hardware (#D) X7pcs

Hardware (#A) X1pc

Align top panel (#1) to the TV-Stand, then secure by using bolts (#B) with washers (#C,D).

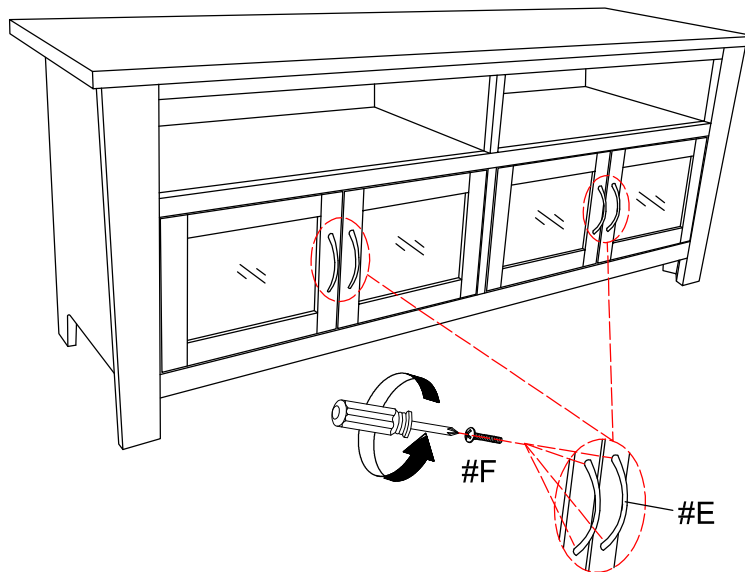


8

Hardware (#E) X4pcs

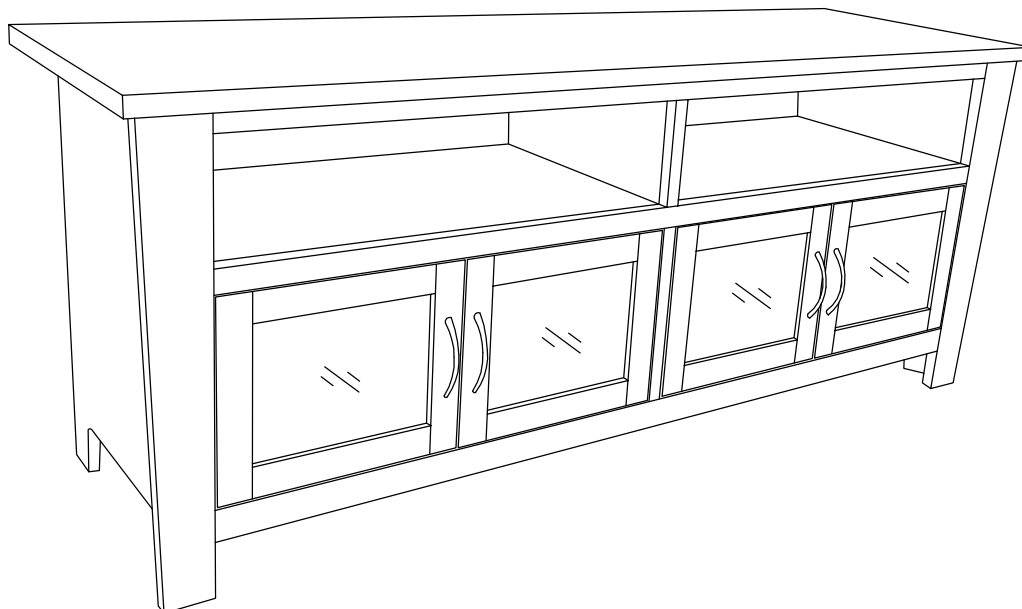
Hardware (#F) X8pcs

Align handles (#E) to the holes of the doors, then secure by using bolts (#F).



ASSEMBLY INSTRUCTIONS

9



ASSEMBLY COMPLETED



Please ensure the furniture rests on an even and flat surface. If the product wobbles or feels loose, double-check all bolts and/or screws are properly tightened and secured.



Keep this handy!

Please retain this instruction manual and any order-related information for future reference.



Lift, don't drag!

To avoid damage to product please always LIFT the product when transporting or adjusting the placement.