

## ASSEMBLING & INSTALLATION INSTRUCTIONS

The drawing shown may not exactly match the product enclosed.  
However, the installation instructions do apply to this product.

### For Pendant Mount Fixture

- ◆ **WARNING! SHUT POWER OFF AT FUSE OR CIRCUIT BREAKER.**
- ◆ **ATTENTION! COUPER LE COURANT AU FUSIBLE OU UN DISJONCTEUR.**

#### ASSEMBLING THE FIXTURE (Fig.2).

1. Attach the central tube (K) to the lamp body (J) by turning it clockwise until tight.
2. Attach the central tube (K) to the fixture body (G) by turning it clockwise until tight.
3. Attach the loop (F) to the fixture body (G) by turning it clockwise until tight.
4. Place the tube (I) and the crystal cup (H) over the socket of the lamp body (J).
5. Hang the crystals (L) to the hole of the fixture body (G).
6. Install the light bulbs(not included) in accordance with the fixture specifications. **NOTE: DO NOT EXCEED THE SPECIFIED WATTAGE!**

#### HANGING THE FIXTURE (Fig.1)

1. Shut off the power at the circuit breaker and remove the old fixture from ceiling, including the old crossbar.
2. Carefully unpack the new fixture and lay all the parts on a clear surface.
3. Attach the mounting plate (A) to the junction box using screws (B). The side of the mounting plate marked "GND" must face out.  
**The junction box is not included.**
4. Open one end link of the chain (E) provided and connect to the fixture loop (F). Close the link.
5. Lace the fixture wires through the chain.
6. Open the other end link of the chain and hang the fixture on the loop at the ceiling. Close the link.
7. Lace the fixture wires, ground wires through the loop and canopy (C) and pull until taut.
8. Then cover the junction box with canopy (C), aligning the Screw of the mounting plate with the hole of canopy and lock it with brass ball (D).

#### CONNECTING THE WIRES (Fig.3)

1. Take the black wire from the ceiling junction box and the smooth wire leg from the fixture and twist bare ends together. Twist wire connector onto end of wire until snug.
2. Repeat same process with white junction box wire and ribbed wire leg of fixture wire. **NOTE:** Twist wires together in the same direction you twist the wire connector onto wires.
3. If your junction box has a grounding wire (green or bare copper), attach this wire and the bare copper wire from the fixture together as **step 1**. If junction box has no ground wire, attach the bare copper fixture wire to the green ground screw on the single bar.
4. Tuck these wire connections neatly into the ceiling outlet box and then raise the canopy (C) all the way to the ceiling.

**Your installation is now complete. Return power to the junction box and test the fixture.**

FIG.2

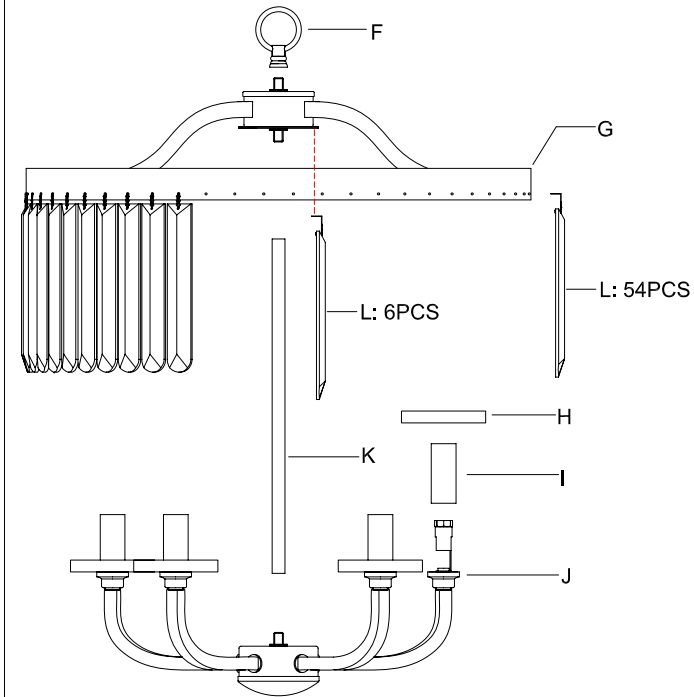


FIG.1

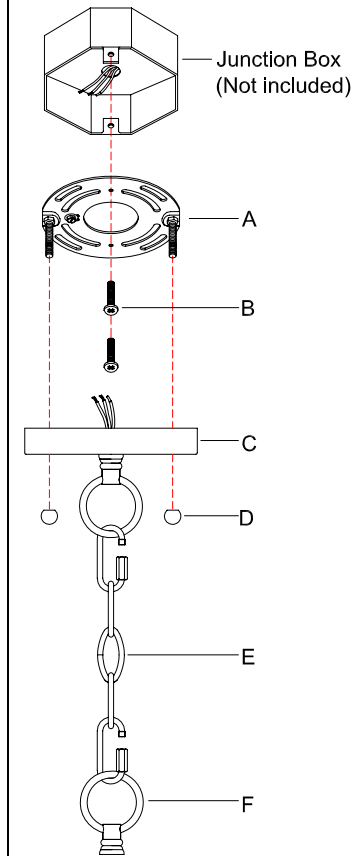
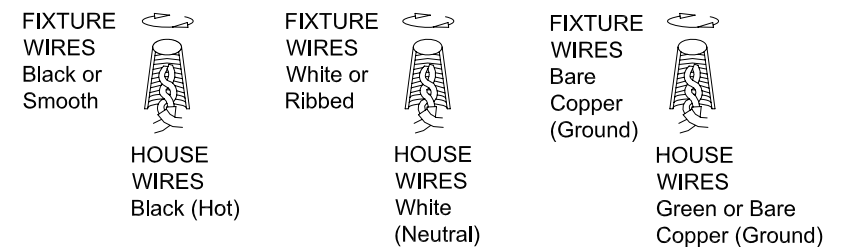


FIG.3



Thank you for purchasing a product.  
Need assistance with parts or assembly? Please call customer service

## ASSEMBLING & INSTALLATION INSTRUCTIONS

The drawing shown may not exactly match the product enclosed.  
However, the installation instructions do apply to this product.

### For Semi Flush Mount Ceiling Fixture

- ◆ **WARNING! SHUT POWER OFF AT FUSE OR CIRCUIT BREAKER.**
- ◆ **ATTENTION! COUPER LE COURANT AU FUSIBLE OU UN DISJONCTEUR.**

#### ASSEMBLING THE FIXTURE (Fig.2).

1. Shut off the power at the circuit breaker and remove old fixture from ceiling, including the old single bar.
2. Carefully unpack new fixture and lay all the parts on a clear surface.
3. Attach the mounting plate (A) to the junction box using screws (B). The side of the mounting plate marked "GND" must face out.  
**The junction box is not included.**
4. Loosen the loop (F) and the canopy (C), remove the loop (F) and the chain (E) (**Fig.1**).
5. Attach the central tube (K) to the lamp body (J) by turning it clockwise until tight.
6. Attach the central tube (K) to the fixture body (G) by turning it clockwise until tight.
7. Attach the canopy (C), the round iron (O) and the washer (N) to the center of the fixture body (G), then lock the canopy (C) with the hex nut (M).
8. Place the tube (I) and the crystal cup (H) over the socket of the lamp body (J).
9. Hang the crystals (L) to the hole of the fixture body (G).
10. Install the light bulbs(not included) in accordance with the fixture specifications. **NOTE: DO NOT EXCEED THE SPECIFIED WATTAGE!**
11. Put the fixture body (G) onto the junction box, aligning screws on mounting plate with mounting holes in canopy and lock it securely with the ball (D).

#### CONNECTING THE WIRES (Fig.3)

1. Take the black wire from the ceiling junction box and the smooth wire leg from the fixture and twist bare ends together. Twist wire connector onto end of wire until snug.
2. Repeat same process with white junction box wire and ribbed wire leg of fixture wire. **NOTE:** Twist wires together in the same direction you twist the wire connector onto wires.
3. If your junction box has a grounding wire (green or bare copper), attach this wire and the bare copper wire from the fixture together as **step 1**. If junction box has no ground wire, attach the bare copper fixture wire to the green ground screw on the single bar.
4. Tuck these wire connections neatly into the ceiling outlet box and then raise the canopy (C) all the way to the ceiling.

**Your installation is now complete. Return power to the junction box and test the fixture.**

FIG.2

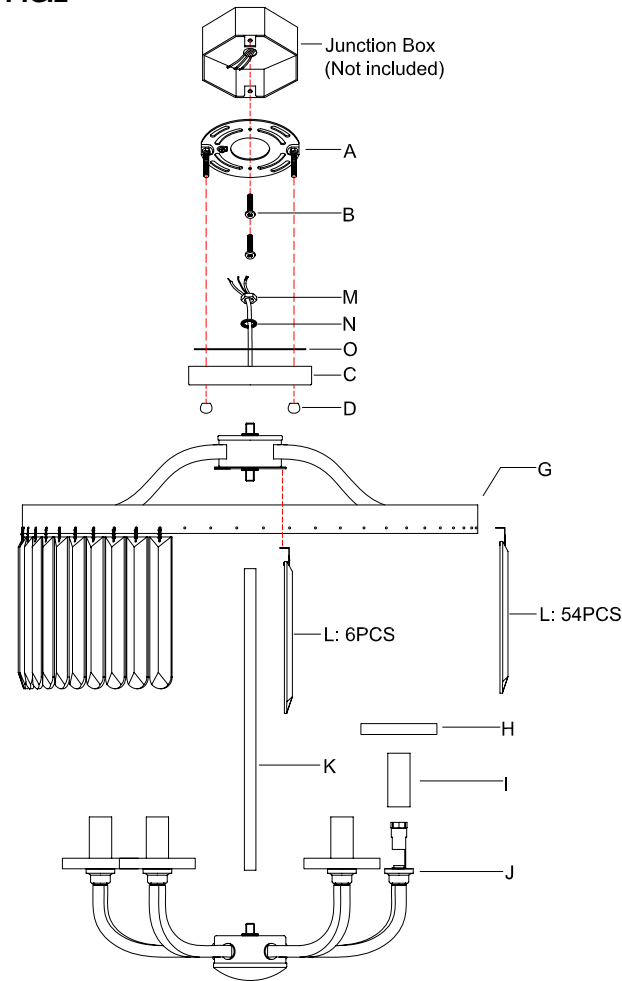


FIG.1

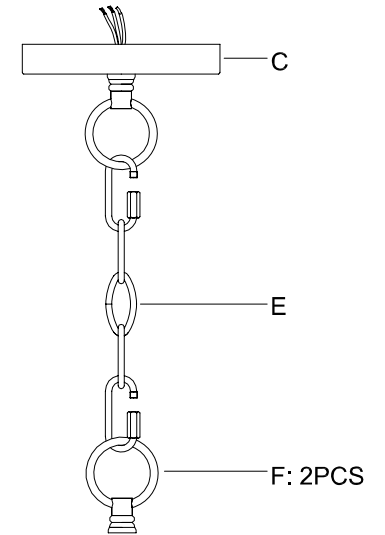


FIG.3

FIXTURE WIRES  
Black or Smooth



HOUSE WIRES  
Black (Hot)

FIXTURE WIRES  
White or Ribbed



HOUSE WIRES  
White (Neutral)

FIXTURE WIRES  
Bare Copper (Ground)



HOUSE WIRES  
Green or Bare Copper (Ground)

Thank you for purchasing a product.  
Need assistance with parts or assembly? Please call customer service