

RF - TEST REPORT

Report Number : 64.911.24.00149.01-R2 Date of Issue: October 9, 2024

Model : MDDO-10DEN7-QA3, MDDO1-10DEN7-QA3, MDDO2-10DEN7-QA3, MDDO3-10DEN7-QA3, MDDO-12DEN7-QA3, MDDO1-12DEN7-QA3, MDDO2-12DEN7-QA3, MDDO3-12DEN7-QA3

Product Type : Air dehumidifier (Dehumidifier)

Applicant : GD Midea Air-Conditioning Equipment Co., Ltd.

Address : Lingang Road, Beijiao, Shunde 528311 Foshan, Guangdong, PEOPLE'S REPUBLIC OF CHINA.

Manufacturer : GD Midea Air-Conditioning Equipment Co., Ltd.

Address : Lingang Road, Beijiao, Shunde 528311 Foshan, Guangdong, PEOPLE'S REPUBLIC OF CHINA.

Test Result : Positive Negative



Total pages including Appendices : 20

TÜV SÜD Certification and Testing (China) Co., Ltd. – Guangzhou Branch is a subcontractor to TÜV SÜD Product Service GmbH according to the principles outlined in ISO 17025.

TÜV SÜD Certification and Testing (China) Co., Ltd. – Guangzhou Branch reports apply only to the specific samples tested under stated test conditions. Construction of the actual test samples has been documented. It is the manufacturer's responsibility to assure that additional production units of this model are manufactured with identical electrical and mechanical components. The manufacturer/importer is responsible to the Competent Authorities in Europe for any modifications made to the production units which result in non-compliance to the relevant regulations. TÜV SÜD Certification and Testing (China) Co., Ltd. – Guangzhou Branch shall have no liability for any deductions, inferences or generalizations drawn by the client or others from TÜV SÜD Certification and Testing (China) Co., Ltd. – Guangzhou Branch issued reports.

This report is the confidential property of the client. As a mutual protection to our clients, the public and ourselves, extracts from the test report shall not be reproduced except in full without our written approval.

Table of Contents

1	Report Version.....	3
2	General Information.....	4
2.1	Notes.....	4
2.2	Testing Laboratory.....	5
2.3	Application Details.....	5
2.4	Applied Standard.....	6
2.5	Test Summary.....	6
3	Equipment Specification.....	7
3.1	General Description.....	7
3.2	Technical Data.....	7
4	Product Description –manufacturer description.....	8
4.1	Type of Equipment.....	8
4.2	Extreme operating condition as declared by manufacturer.....	8
4.3	Transmit operating mode.....	8
4.4	Operating Frequency Range.....	8
4.5	Modulation type.....	9
4.6	Equipment type tested path.....	9
4.7	Type of antenna.....	9
4.8	Additional information.....	10
5	Measurements Result.....	11
5.1	Spurious emissions.....	11
6	Estimation of Exposure of Human to Electromagnetic Fields.....	16
7	Lists of Test Instruments.....	17
8	Measurement Uncertainty.....	18
9	Photographs of Test Setup.....	19
10	Photographs of EUT.....	20

1 Report Version

Revision	Release Date	History/Memo.
1.0	October 9, 2024	Initial Release

2 General Information

2.1 Notes

TÜV SÜD Certification and Testing (China) Co., Ltd. – Guangzhou Branch is a subcontractor to TÜV SÜD Product Service GmbH according to the principles outlined in ISO 17025.

TÜV SÜD Certification and Testing (China) Co., Ltd. – Guangzhou Branch reports apply only to the specific samples tested under stated test conditions. Construction of the actual test samples has been documented. It is the manufacturer's responsibility to assure that additional production units of this model are manufactured with identical electrical and mechanical components. The manufacturer/importer is responsible to the Competent Authorities in Europe for any modifications made to the production units which result in non-compliance to the relevant regulations. TÜV SÜD Certification and Testing (China) Co., Ltd. – Guangzhou Branch shall have no liability for any deductions, inferences or generalizations drawn by the client or others from TÜV SÜD Certification and Testing (China) Co., Ltd. – Guangzhou Branch issued reports.

This report is the confidential property of the client. As a mutual protection to our clients, the public and ourselves, extracts from the test report shall not be reproduced except in full without our written approval.

Any use for advertising purposes must be granted in writing. This technical report may only be quoted in full. This report is the result of a single examination of the object in question and is not generally applicable evaluation of the quality of other products in regular production. For further details please see testing and certification regulation, chapter A-3.4.

- TÜV SÜD CERTIFICATION AND TESTING (CHINA) CO., LTD. GUANGZHOU BRANCH -

Reviewed by:



Kevin Ouyang 

Prepared by:



Tim Yue 

2.2 Testing Laboratory

Site 1

Company name: TÜV SÜD Certification and Testing (China) Co., Ltd. Shenzhen Branch
Building 12&13, Zhiheng Wisdomland Business Park, Nantou Checkpoint Road 2,
Nanshan District, Shenzhen City, 518052, P. R. China

Telephone: 86 755 8828 6998

Fax: 86 755 8828 5299

2.3 Application Details

For module EU-SK105:

Sample Received Date: 2020-12-01

Testing Start Date: 2020-12-07

Testing End Date: 2021-01-13

For Dehumidifier:

Sample Received Date: 2024-06-17

Testing Start Date: 2024-06-19

Testing End Date: 2024-07-02

2.4 Applied Standard

APPLIED PRODUCT STANDARD

Test Standards	
ETSI EN 300 328 V2.2.2 (2019-07)	Wideband transmission systems; Data transmission equipment operating in the 2,4 GHz band; Harmonised Standard for access to radio spectrum
EN 62479:2010	Assessment of the compliance of low power electronic and electrical equipment with the basic restrictions related to human exposure to electromagnetic fields (10 MHz to 300 GHz)
EN 50663:2017	Generic standard for assessment of low power electronic and electrical equipment related to human exposure restrictions for electromagnetic fields (10 MHz - 300 GHz)

2.5 Test Summary

Summary of results

Conformance requirement according to ETSI EN 300 328 V2.2.2 (2019-07)		Result	Remark
Essential parameter	Corresponding technical requirements		
Transmitter requirements	4.3.2.2 RF output power	PASS	Note 4
	4.3.2.3 Power Spectral Density	PASS	Note 4
	4.3.2.4 Duty Cycle, Tx-sequence, Tx-gap*	N/A	Note 2
	4.3.2.5 Medium Utilisation (MU) factor*	N/A	Note 2
	4.3.2.6 Adaptivity*	N/A	Note 2
	4.3.2.7 Occupied Channel Bandwidth	PASS	Note 4
	4.3.2.8 Transmitter unwanted emissions in the out-of-band domain	PASS	Note 4
	4.3.2.9 Transmitter unwanted emissions in the spurious domain	PASS	Note 4
Receiver requirements	4.3.2.10 Receiver spurious emissions	PASS	Note 4
	4.3.2.11 Receiver Blocking	PASS	Note 4
	4.3.2.12 Geo-location capability**	N/A	Note 3

NOTE1: Measurement taken is within the measurement uncertainty of measurement system.

NOTE2: "*" These requirements do not apply for equipment with a maximum declared RF Output power of less than 10 dBm e.i.r.p.

NOTE3: "***" This requirement only applies to equipment with geo-location capability as defined in clause 4.3.2.12.2.

NOTE4: Radiated spurious emission test were test in this report, other data refer to report 64.920.20.05186.01-R1.

3 Equipment Specification

3.1 General Description

EUT is kind of Air dehumidifier (Dehumidifier) which support 2.4G Wi-Fi and BLE function.
 This report is only for BLE function.
 RF Module EU-SK105 was deemed to fulfil requirements of EN 300328 V2.2.2 in report 64.920.20.05186.01-R1 and 64.920.20.05186.01-R2. It was fully plugged into Air dehumidifier (Dehumidifier) as a complete component.
 MDDO1-12DEN7-QA3 is same as MDDO-12DEN7-QA3 except the display board and appearance.
 MDDO-10DEN7-QA3, MDDO1-10DEN7-QA3 are respectively same as the MDDO-12DEN7-QA3, MDDO1-12DEN7-QA3 except the compressor, evaporator and condenser.
 MDDO3-10DEN7-QA3 is same as MDDO-10DEN7-QA3 except the appearance of display panel;
 MDDO2-10DEN7-QA3 is same as MDDO1-10DEN7-QA3 except the appearance of display panel;
 MDDO3-12DEN7-QA3 is same as MDDO-12DEN7-QA3 except the appearance of display panel;
 MDDO2-12DEN7-QA3 is same as MDDO1-12DEN7-QA3 except the appearance of display panel.
 Added alternative fan motor for all models.
 According to a technical evaluation, radiated spurious emission test were performed on MDDO1-12DEN7-QA3. Other data are referred from 64.920.20.05186.01-R1.

3.2 Technical Data

Description:	Air dehumidifier (Dehumidifier)
Models:	MDDO-10DEN7-QA3, MDDO1-10DEN7-QA3, MDDO2-10DEN7-QA3, MDDO3-10DEN7-QA3, MDDO-12DEN7-QA3, MDDO1-12DEN7-QA3, MDDO2-12DEN7-QA3, MDDO3-12DEN7-QA3
RF Module:	EU-SK105
Input Rated:	220-240V AC
Maximum EIRP (RF Output Power):	6.6 dBm for BLE 18.1 dBm for 2.4G Wi-Fi
Antenna gain	2.0 dBi

Mode	Work Frequency	
	Transmitt Frequency (MHz)	Receive Frequency (MHz)
Bluetooth Low Energy	2402MHz-2480 MHz	2402MHz-2480 MHz
2.4G Wi-Fi	2412MHz-2472 MHz	2412MHz-2472 MHz

Remark: The above EUT's information is declared by manufacturer. Please refer to the specifications or user's manual for more detailed description.

4 Product Description –manufacturer description

4.1 Type of Equipment

<input checked="" type="checkbox"/> Stand-alone	<input type="checkbox"/> Plug-in radio
<input type="checkbox"/> Combined equipment	<input type="checkbox"/> Other

4.2 Extreme operating condition as declared by manufacturer

EXTREME TEMPERATURE RANGE over which equipment is to be type tested		
<input type="checkbox"/>	Outdoor and indoor usage	-20°C to +50°C
<input type="checkbox"/>	Indoor usage only	0°C to +35°C
<input checked="" type="checkbox"/>	Other	[5°C to +32°C declared by manufacturer]

Power source description			
<input checked="" type="checkbox"/>	AC mains voltage		
<input type="checkbox"/>	DC voltage Nominal		
Type of DC			
External Power Supply	External AC/DC Adapter	Battery	Other
<input type="checkbox"/>	<input type="checkbox"/>	<input type="checkbox"/>	<input type="checkbox"/>

4.3 Transmit operating mode

<input checked="" type="checkbox"/>	Single antenna equipment		
<input type="checkbox"/>	Multiple antenna without beam forming		
<input type="checkbox"/>	Multiple antenna with beam forming	Beam forming gain Y =	[dB]

4.4 Operating Frequency Range

Transmitter / Receiver Frequency Range			
<input checked="" type="checkbox"/>	Range 1 : from :	2402 MHz	To 2480 MHz
<input type="checkbox"/>	Range 2 : from :		
<input type="checkbox"/>	Other - (include frequency ranges supported):		

4.5 Modulation type

Modulation type	
<input checked="" type="checkbox"/>	GFSK(1M)
<input type="checkbox"/>	$\pi/4$ -DQPSK
<input type="checkbox"/>	8DPSK
<input type="checkbox"/>	IEEE 802.11™ [i.3] modulations using a single or multiple transmitters with or without transmit CSD.
<input type="checkbox"/>	HT20: 20 MHz channels with one to four spatial streams (MCS 0 to MCS 7).
<input type="checkbox"/>	HT40: 40 MHz channels with one to four spatial streams (MCS 0 to MCS 7).

4.6 Equipment type tested path

Transmitter operate modulation:	
<input checked="" type="checkbox"/>	Bluetooth Low Energy
<input type="checkbox"/>	IEEE 802.11 [i3]
<input type="checkbox"/>	Other supply full details:_____

4.7 Type of antenna

Type of antenna		
Type of Transmitter's antenna	<input checked="" type="checkbox"/>	Integrated Antenna(s)
	<input type="checkbox"/>	Antenna connector for dedicated antenna(s)
Antenna gain:	<input checked="" type="checkbox"/>	2.0 dBi
Temporary RF connector provided	<input checked="" type="checkbox"/>	
No temporary RF connector provided	<input type="checkbox"/>	

4.8 Additional information

The transmitter can operate only:

- Modulated
- Un-modulated

ITU Class of emissions 1. 22

Receiver categories

- Receiver category 1
- Receiver category 2
- Receiver category 3

About the EUT:

- The equipment submitted are representative production models.
- If not, the equipment submitted are pre-production models.
- If preproduction equipment are submitted, the final production equipment will be identical in all respects with the equipment tested.
- If not, supply full details: _____

5 Measurements Result

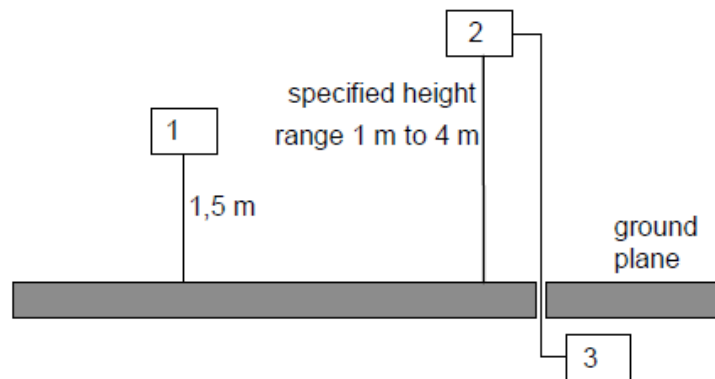
5.1 Spurious emissions

5.1.1 Test Procedure and limit

A test site fulfilling the requirements of ITU-R Recommendation SM329-10 was used. The EUT was placed on a non-conducting support in the anechoic chamber and was operated from a power source via an RF filter to avoid radiation from the power leads.

Step 1 Radiated measurements:

- a) A test site which fulfils the requirements of the specified frequency range of this measurement shall be used. The test antenna shall be oriented initially for vertical polarization unless otherwise stated and the transmitter under test shall be placed on the support in its standard position and switched on;
- b) The measurement equipment shall be connected to the measurement antenna and set-up according to the specifications of the test.

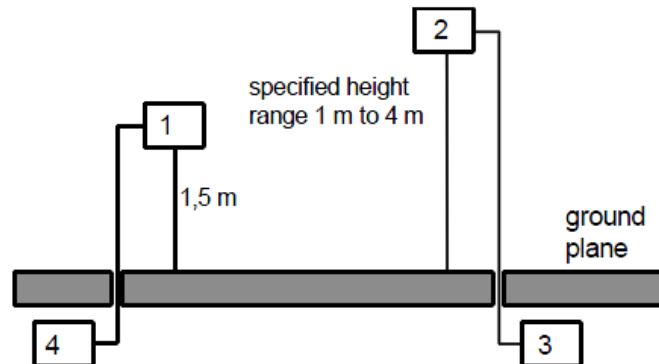


- 1) UUT
- 2) Measurement antenna
- 3) Measurement equipment

- c) The UUT shall be rotated through 360° in a horizontal plane until a higher maximum signal is received.
- d) The measurement antenna shall be raised or lowered again through the specified height range until a maximum is obtained. This level shall be recorded.

Step 2 Substitution measurements:

- a) Replacing the UUT with the substitution antenna. The substitution antenna will have vertical polarization.



- 1) Substitution antenna.
 2) Measurement antenna
 3) Measurement equipment
 4) Signal generator.

- b) Connect a signal generator to the substitution antenna, and adjust it to the measurement frequency.
 c) The measurement antenna shall be raised or lowered, to ensure that the maximum signal is received.
 d) Subsequently, the power of the signal generator is adjusted until the same level is obtained again at the measurement equipment.
 e) The radiated power is equal to the power supplied by the signal generator, increased the substitution antenna gain minus the cable losses (values in dB).
 f) This measurement shall be repeated with horizontal polarization.

Radiated Spurious Emissions Limits for Transmitter

Frequency range	Maximum Power e.r.p(≤1G) e.i.r.p(>1G)	Measurement Bandwidth
30MHz to 47MHz	-36dBm	100kHz
47MHz-74MHz	-54dBm	100kHz
74MHz-87.5MHz	-36dBm	100kHz
87.5MHZ-118MHz	-54dBm	100kHz
118MHz-174MHz	-36dBm	100kHz
174MHz-230MHz	-54dBm	100kHz
230MHz-470MHz	-36dBm	100kHz
470MHz-694MHz	-54dBm	100kHz
694MHz-1GHz	-36dBm	100kHz
Above 1GHz to 12.75GHz	-30dBm	1MHz

Radiated Spurious Emissions Limits for Receiver

Frequency range	Maximum power, e.r.p	Measurement Bandwidth
30MHz to 1GHz	-57dBm	100kHz
Above 1GHz to 12.75GHz	-47dBm	1MHz

Test condition

Test Mode:	Transmitting
Relative humidity:	48.6%
Ambient Pressure:	101.1Kpa

5.1.2 Test Result

Note: The test results for testing range of “30 MHz to 12.75 GHz” showed as below is the WORST case for all Test Modes and Channels. The detected values which are noise floor or below the limit 20dB will not be recorded.

5.1.2.1 Test result for Transmitter

EUT: Dehumidifier
M/N: MDDO1-12DEN7-QA3
Operating Condition: BLE (TX)

Frequency (MHz)	Level (dBm)	Limit (dBm)	Margin (dB)	Pol	Corr. (dB)
58.938333	-71.03	-54.00	17.03	H	-117.4
217.210000	-70.85	-54.00	16.85	H	-126.8
683.133333	-67.91	-54.00	13.91	H	-115.5
5483.726563	-52.78	-30.00	22.78	H	-96.9
6998.375000	-52.37	-30.00	22.37	H	-95.8
12682.80468	-48.85	-30.00	18.85	H	-91.7
92.511111	-69.73	-54.00	15.73	V	-123.7
109.001111	-66.40	-54.00	12.40	V	-119.6
587.211111	-70.05	-54.00	16.05	V	-117.4
5596.820313	-53.68	-30.00	23.68	V	-97.1
8009.242188	-52.01	-30.00	22.01	V	-94.3
12737.14843	-48.21	-30.00	18.21	V	-91.3

5.1.2.2 Test result for receiver

EUT: Dehumidifier
M/N: MDDO1-12DEN7-QA3
Operating Condition: BLE (RX)

Frequency (MHz)	Level (dBm)	Limit (dBm)	Margin (dB)	Pol	Corr. (dB)
252.884445	-69.34	-57.00	12.34	H	-120.5
330.161111	-63.53	-57.00	6.53	H	-122.2
800.018333	-64.99	-57.00	7.99	H	-115.1
3949.984375	-63.19	-47.00	16.19	H	-98.5
5431.218750	-64.43	-47.00	17.43	H	-97.0
9648.367188	-54.55	-47.00	7.55	H	-93.5
90.032222	-66.88	-57.00	9.88	V	-122.5
131.957778	-63.41	-57.00	6.41	V	-128.7
390.355000	-66.05	-57.00	9.05	V	-120.5
4019.750000	-64.30	-47.00	17.30	V	-99.3
5606.000000	-63.46	-47.00	16.46	V	-97.2
9648.367188	-54.25	-47.00	7.25	V	-93.6

5.1.3 Result

The equipment met the requirement of this clause.

6 Estimation of Exposure of Human to Electromagnetic Fields

Client: GD Midea Air-Conditioning Equipment Co., Ltd.

Address: Lingang Road, Beijiao, Shunde 528311 Foshan, Guangdong, PEOPLE'S REPUBLIC OF CHINA.

Product: Air dehumidifier (Dehumidifier)

Model No.: MDDO-10DEN7-QA3, MDDO1-10DEN7-QA3, MDDO2-10DEN7-QA3, MDDO3-10DEN7-QA3, MDDO-12DEN7-QA3, MDDO1-12DEN7-QA3, MDDO2-12DEN7-QA3, MDDO3-12DEN7-QA3

The product [Air dehumidifier (Dehumidifier)], Model No. [MDDO-10DEN7-QA3, MDDO1-10DEN7-QA3, MDDO2-10DEN7-QA3, MDDO3-10DEN7-QA3, MDDO-12DEN7-QA3, MDDO1-12DEN7-QA3, MDDO2-12DEN7-QA3, MDDO3-12DEN7-QA3], has an operation frequency of [2402-2480MHz], and the maximum transmitted power is 6.6dBm.

According with EN 62479: 2010 Clause 4.2 or EN 50663:2017 Clause 6, Low-power electronic and electrical equipment is deemed to comply with the provisions of this standard if it can be demonstrated using routes B, C or D that the available antenna power and/or the average total radiated power is less than or equal to the applicable low-power exclusion level P_{max} . The peak output power of 6.6dBm is 4.57mW; it is less than the limit 20mW which list in the table A1, so the equipment complies with EMF basic restrictions in EN 62479: 2010 and EN 50663:2017.

7 Lists of Test Instruments

TS8997 Test System

Description	Manufacturer	Model no.	Serial no.	cal. due date
Signal Generator	Rohde & Schwarz	SMB100A	108272	2025-05-11
Vector Signal Generator	Rohde & Schwarz	SMBV100A	262825	2025-05-11
Communication Synthetical Test Instrument	Rohde & Schwarz	CMW 270	101251	2025-05-11
Signal Analyzer	Rohde & Schwarz	FSV40	101030	2025-05-11
Vector Signal Generator	Rohde & Schwarz	SMU 200A	105324	2025-05-11
RF Switch Module	Rohde & Schwarz	OSP120/OSP-B157	101226/100851	2025-05-11
Power Splitter	Weinschel	1580	SC319	2025-05-11
10dB Attenuator	Weinschel	4M-10	43152	2025-05-11
10dB Attenuator	R&S	DNF	DNF-001	2025-05-11
10dB Attenuator	R&S	DNF	DNF-002	2025-05-11
10dB Attenuator	R&S	DNF	DNF-003	2025-05-11
10dB Attenuator	R&S	DNF	DNF-004	2025-05-11
Test software	Rohde & Schwarz	EMC32	Version 10.60.10	N/A

Radiated Spurious Emission Test

Description	Manufacturer	Model no.	Serial no.	Cal. due date
Signal Analyzer	Rohde & Schwarz	FSV40	101031	2025-05-11
Trilog Super Broadband Test Antenna	Schwarzbeck	VULB 9163	708	2025-05-11
Horn Antenna	Rohde & Schwarz	HF907	102295	2025-07-05
Wideband Horn Antenna	Q-PAR	QWH-SL-18-40-K- SG	12827	2025-07-02
Loop Antenna	Rohde & Schwarz	HFH2-Z2	100398	2025-07-24
Pre-amplifier	Rohde & Schwarz	SCU 18	102230	2025-05-11
Pre-amplifier	Rohde & Schwarz	SCU 40A	100432	2025-07-17
Fully Anechoic Chamber	TDK	8X4X4	--	2024-09-02
Test software	Rohde & Schwarz	EMC32	Version 9.15.00	N/A

8 Measurement Uncertainty

For the test methods, according to the harmonized standard and conformance testing standard, the measurement uncertainty figures shall be calculated in accordance with TR 100 028 and shall correspond to an expansion factor (coverage factor) $k = 1.96$ (which provides a confidence level of 95 % in the case where the distributions characterizing the actual measurement uncertainties are normal (Gaussian)).

System Measurement Uncertainty	
Test Items	Extended Uncertainty
Uncertainty for Radiated Spurious Emission 25MHz-1000MHz	Horizontal: 4.79dB; Vertical: 4.79dB;
Uncertainty for Radiated Spurious Emission 1000MHz-18000MHz	Horizontal: 5.11dB; Vertical: 5.11dB;
Uncertainty for Conducted RF test with TS 8997	RF Power Conducted: 1.31dB Frequency test involved: 0.6×10^{-8} or 1%

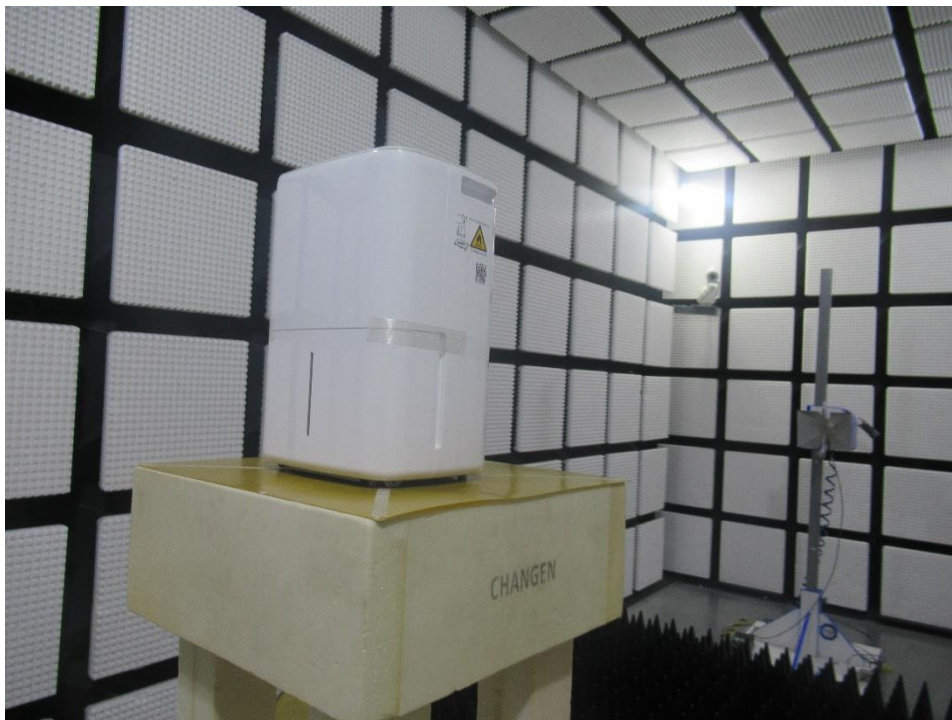
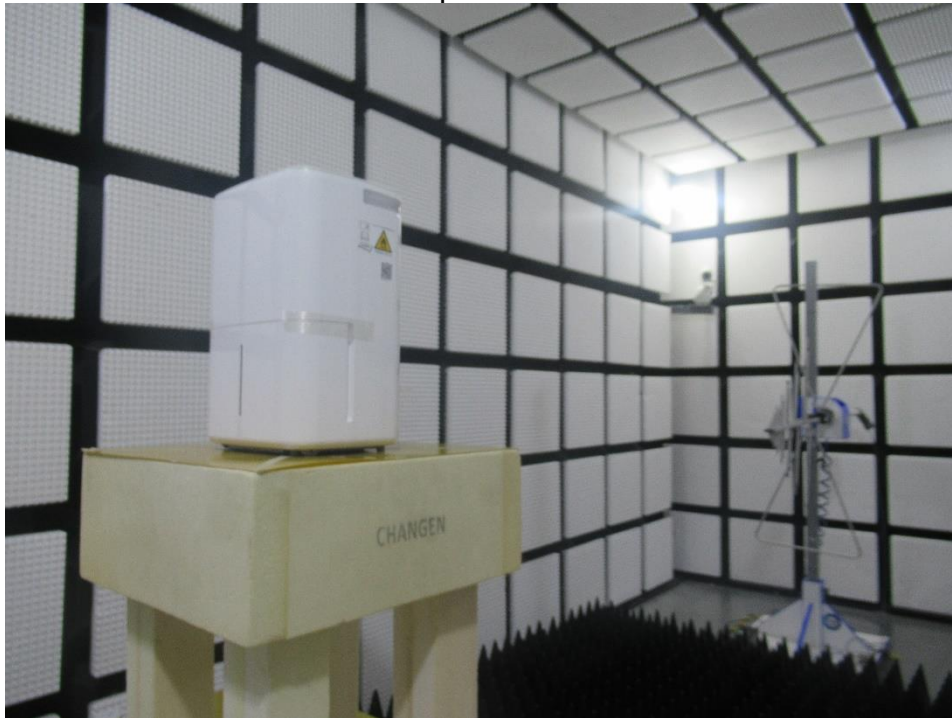
Remark:

Measurement Uncertainty Decision Rule

Determination of conformity with the specification limits is based on the decision rule according to IEC Guide 115: 2023, clause 4.3.3.

9 Photographs of Test Setup

Radiated Spurious Emission



10 Photographs of EUT

Refer to EMC report No.:64.911.24.00149.01-E for complete information.

--END--