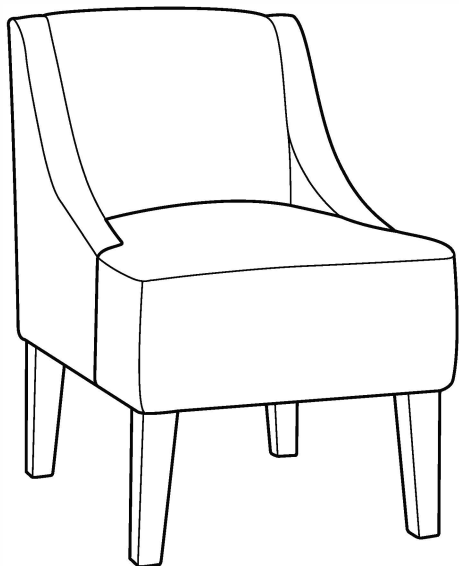


**3** Enjoy your new Waverly Accent chair. You Can re-tighten step 2 periodically if the chair becomes loose.

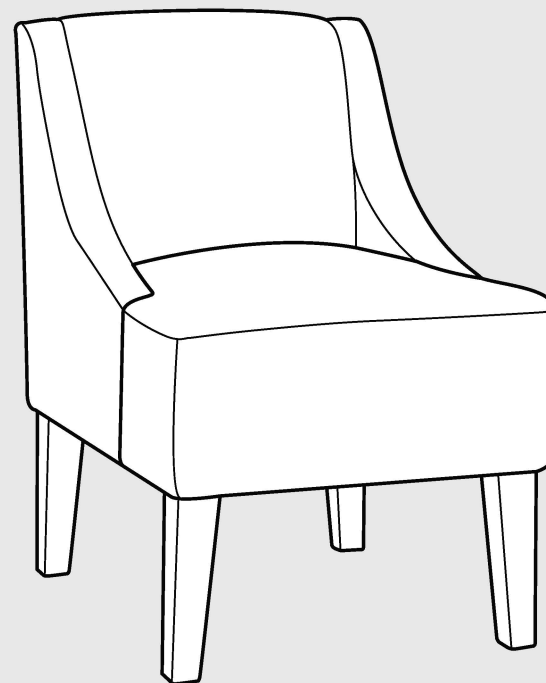


Model: \_\_\_\_\_

Lot No: \_\_\_\_\_

Date of Purchase: \_\_\_\_\_

## ACCENT CHAIR



### ADULT ASSEMBLY REQUIRED

If you are missing any parts or have any questions regarding assembly, do not return this item to the retailers store. Please call our toll- free customer service number and have this assembly manual open to the parts list ready to provide the model name, and part name or number.



**WARNING:** This product may contain small components, please ensure they are kept away from small children.

## PARTS AND HARDWARE

Avoid using sharp objects such as a knife to cut open packing as you may accidentally damage the upholstery.



A. Leg  
1x



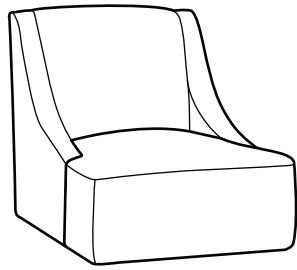
B. Leg  
1x



C. Leg  
1x



D. Leg  
1x



E. Seat Body  
1x



F. Allen Key  
1x



G. Washer  
8x

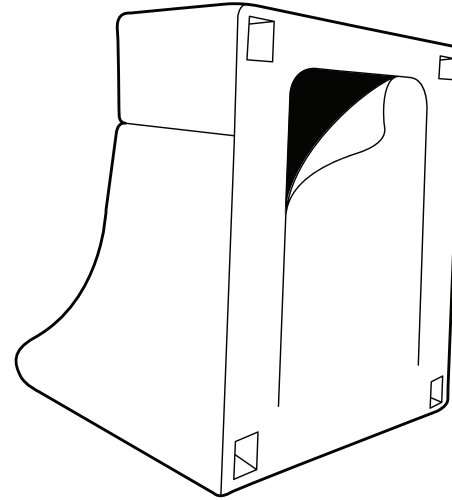


H. Bolt  
8x

## ASSEMBLY INSTRUCTIONS

Do not fully tighten bolts until assembly is complete.

- 1 Open the Zippered closure on the bottom of the Seat Body.



- 2 Attach the Legs (A-D) to the corresponding marked locations on the bottom of the seat body. Each leg attaches using 2 Bolts (H) with 2 Washers (G). Tighten using provided Allen Key.

