

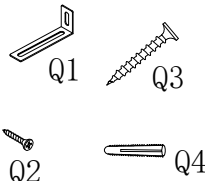



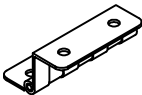
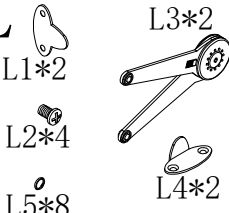
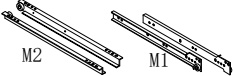
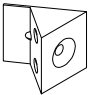
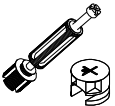
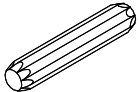
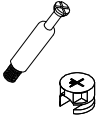


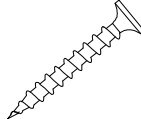



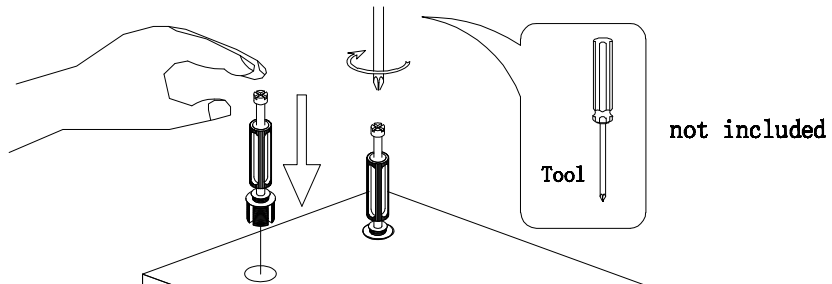
<p>O 3*12</p>  <p>16PCS</p>	<p>P 7*50</p>  <p>6PCS</p>	<p>Q</p>  <p>2SET</p>				
<p>H</p>  <p>2PCS</p>	<p>I 4*22</p>  <p>4PCS</p>	<p>J 4*12</p>  <p>2PCS</p>	<p>K</p>  <p>4PCS</p>	<p>L</p>  <p>2SET</p>	<p>M 250MM</p>  <p>2SET</p>	<p>N</p>  <p>16PCS</p>
<p>A</p>  <p>48SET</p>	<p>B 8*40</p>  <p>10PCS</p>	<p>C</p>  <p>8SET</p>	<p>D 3.5*12</p>  <p>16PCS</p>	<p>E 3.5*14</p>  <p>24PCS</p>	<p>F 3.5*35</p>  <p>28PCS</p>	<p>G</p>  <p>2PCS</p>



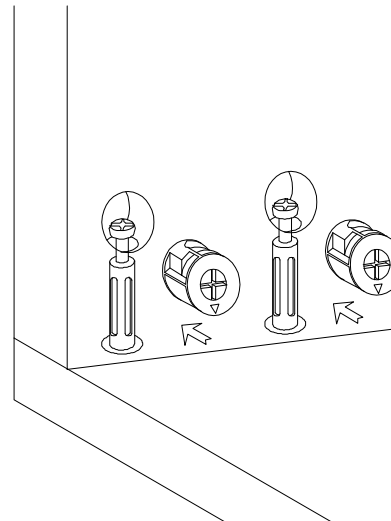
## Hardware installation demonstration

NOTE: Please make sure "A" hardware tightened and can't be pulled out!

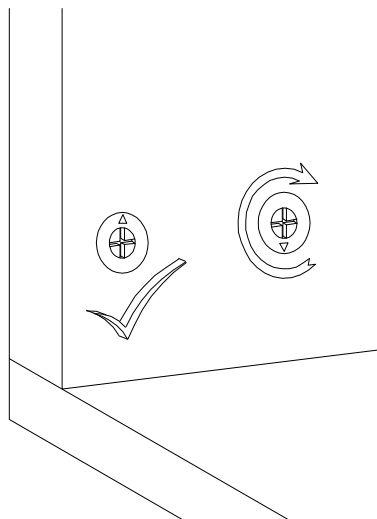
I



II



III

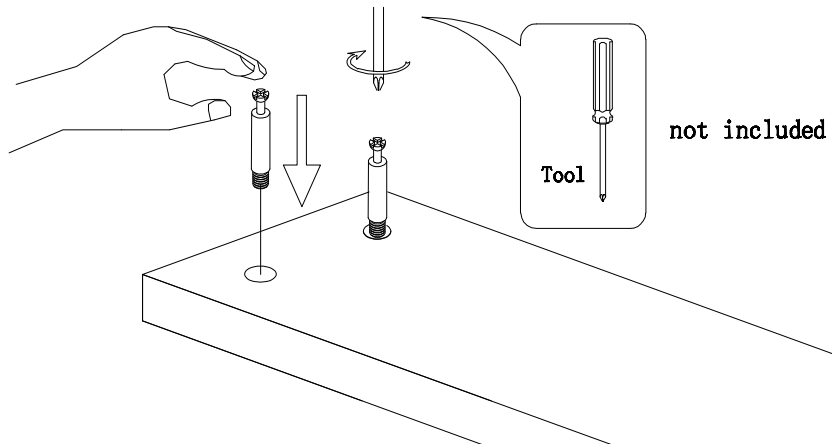




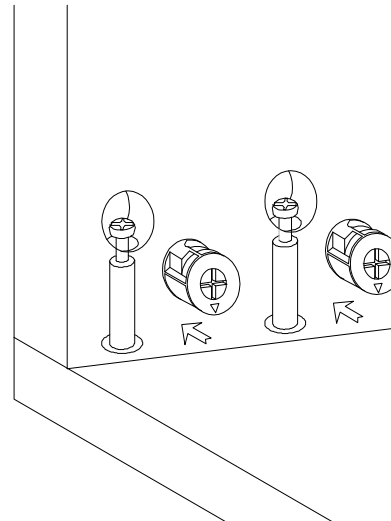
## Hardware installation demonstration

NOTE: Please make sure "C" hardware tightened and can't be pulled out!

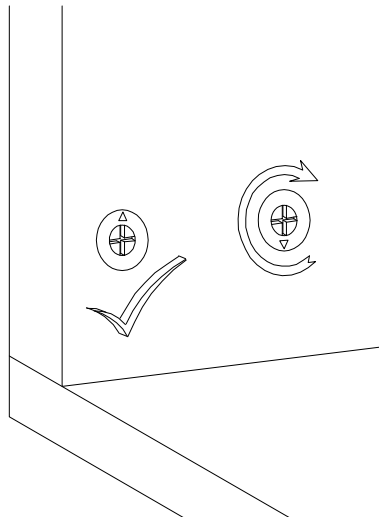
I



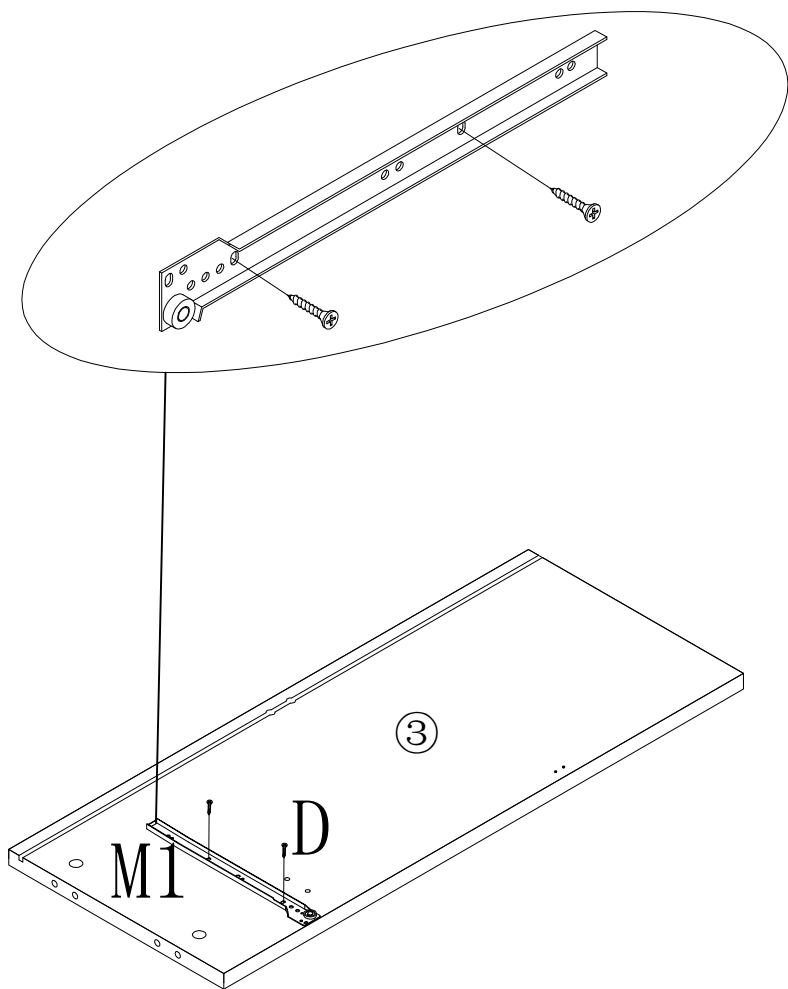
II



III

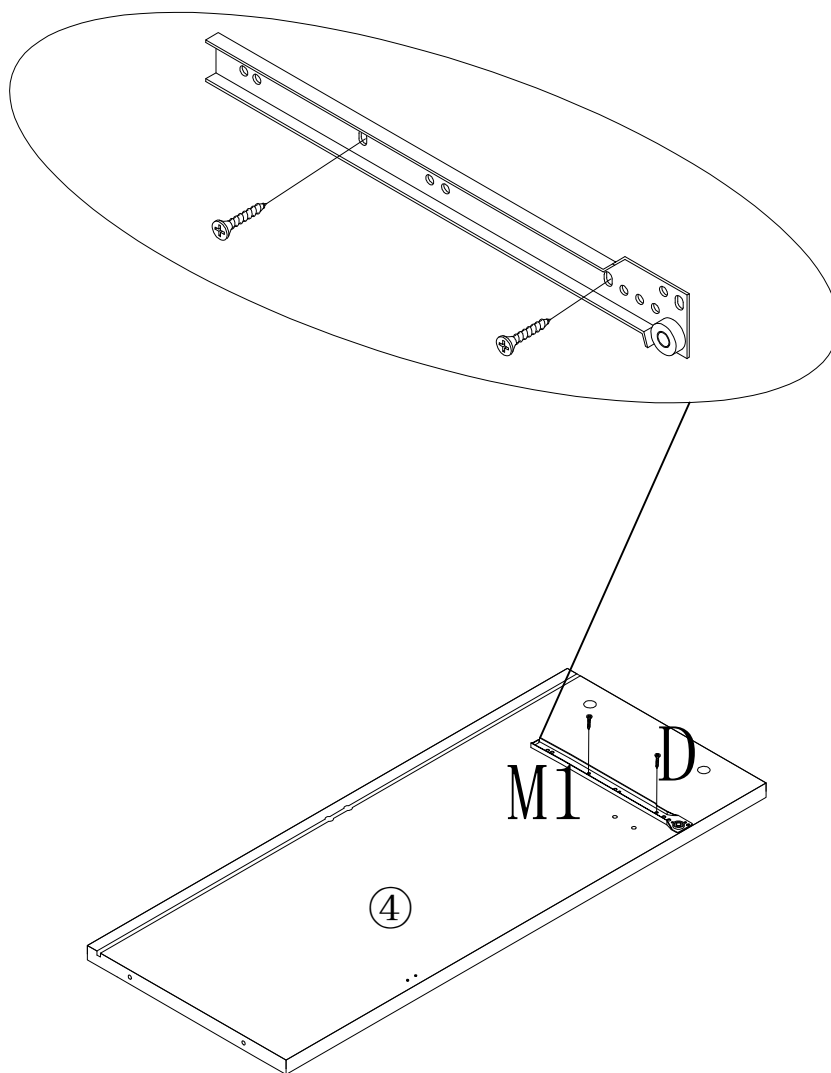


1



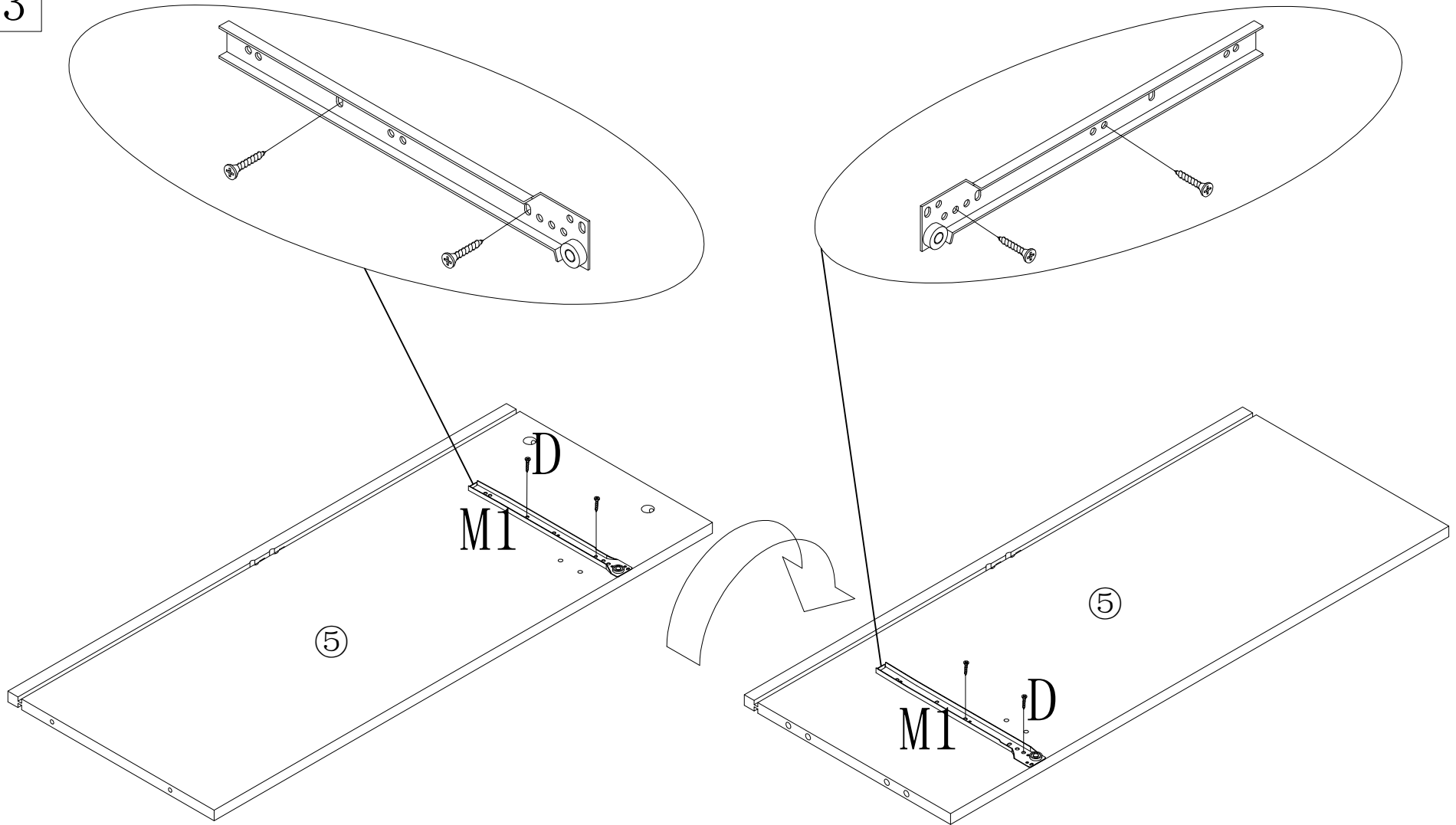
D\*2 M1\*1

2



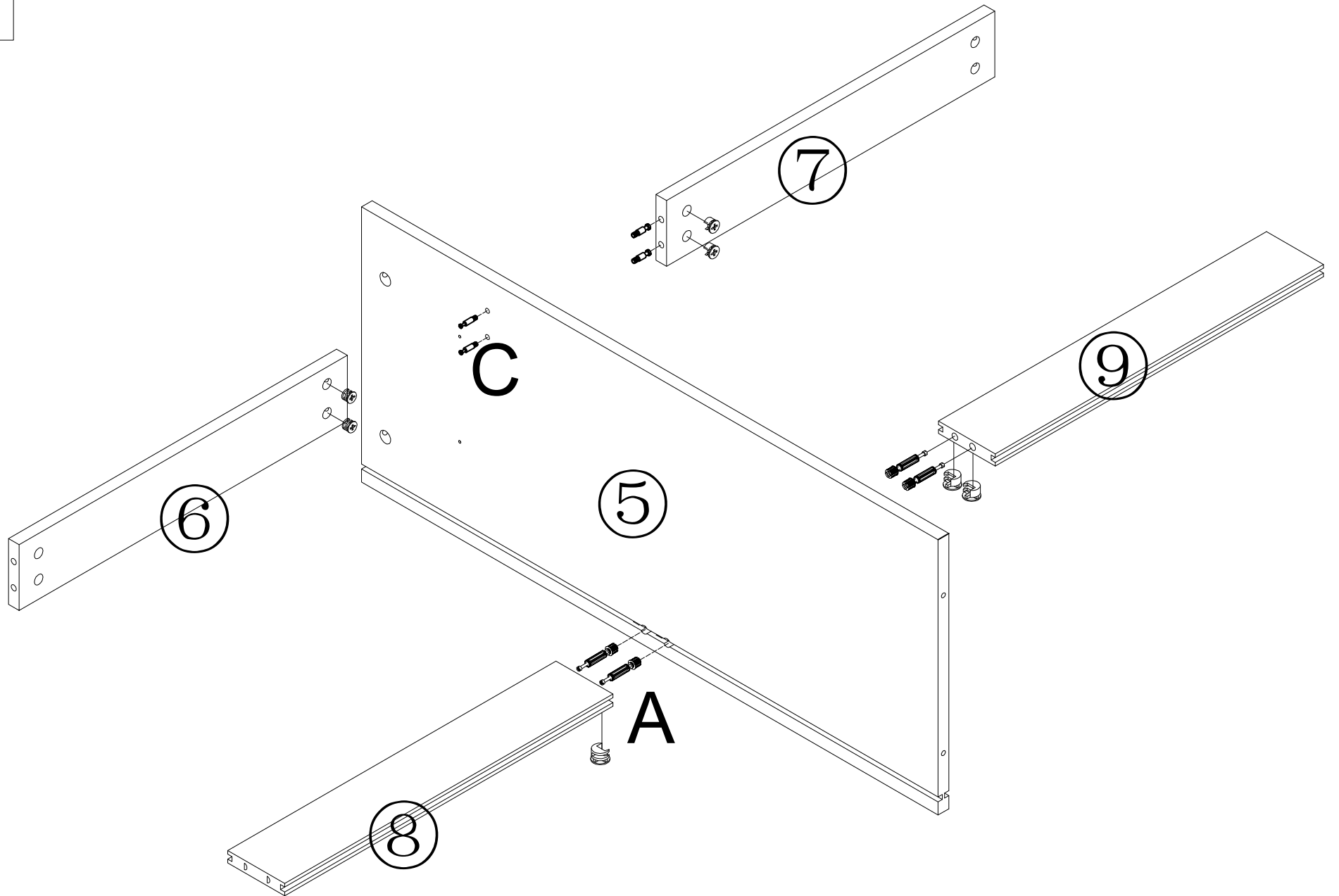
D\*2 M1\*1

3



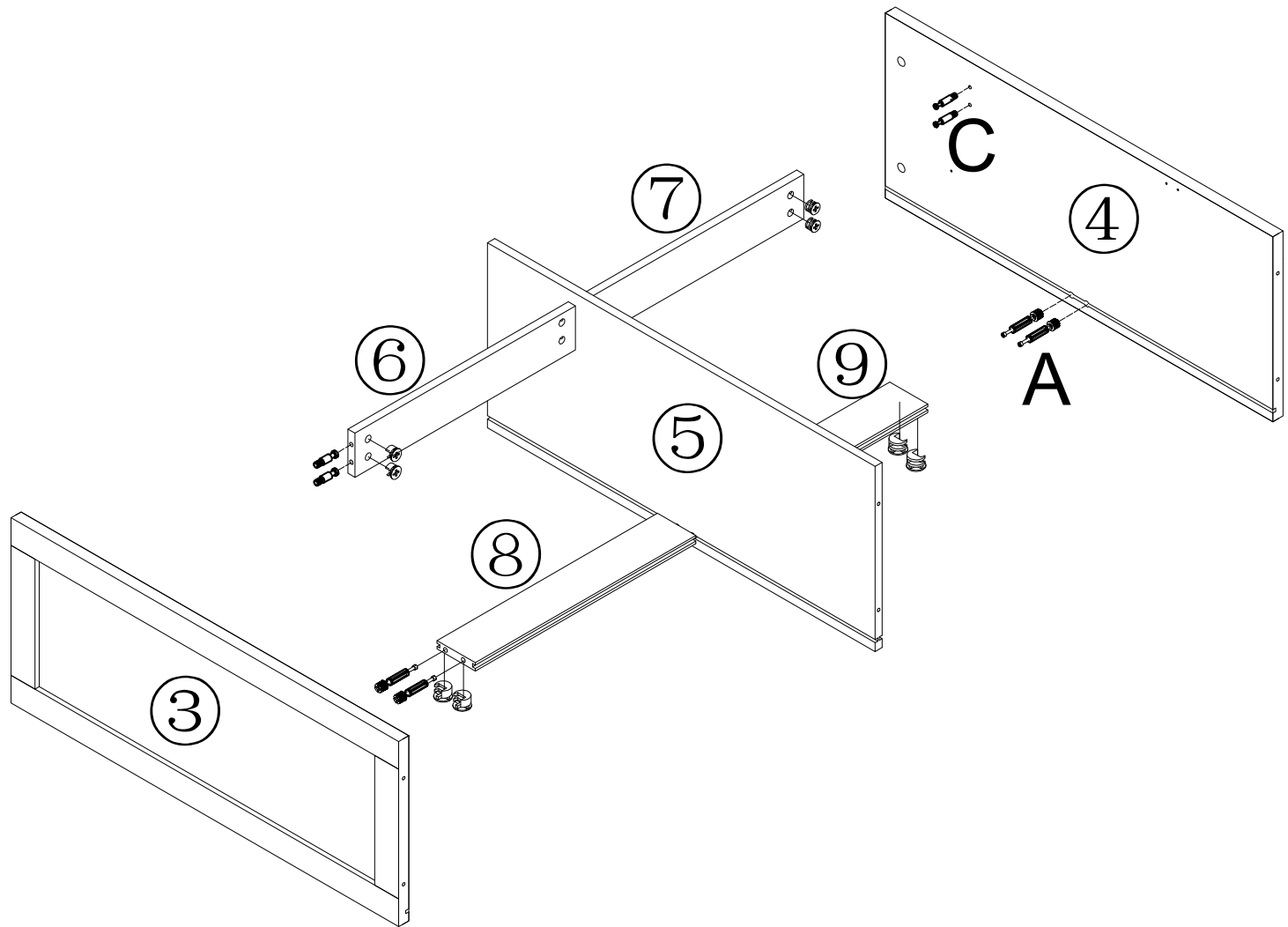
D\*4 M1\*2

4



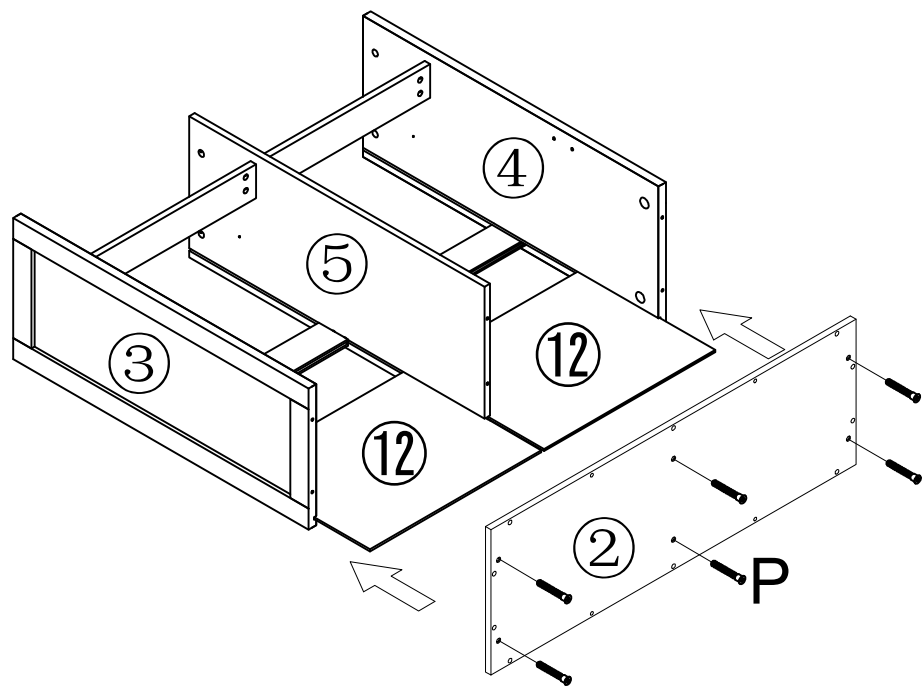
A\*4 C\*4

5



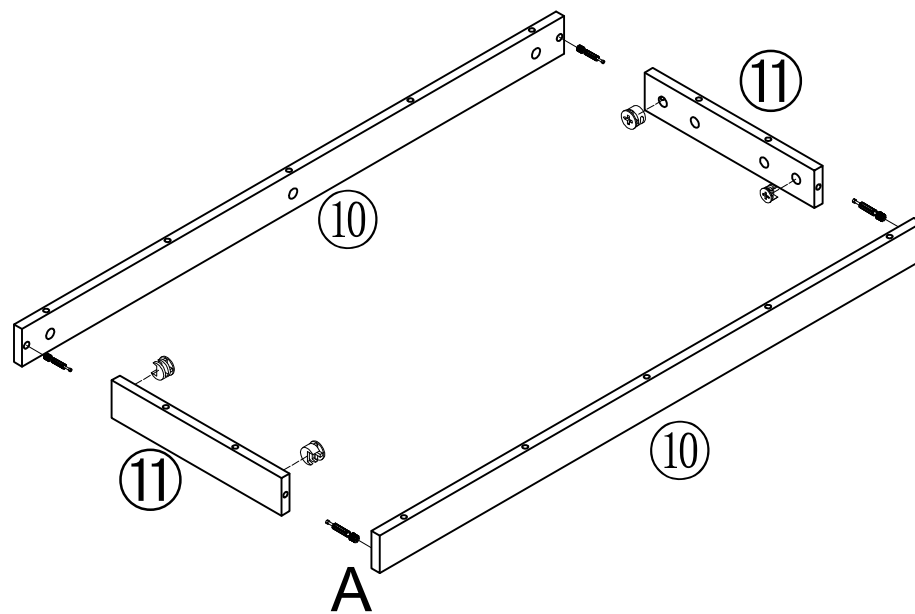
A\*4 C\*4

6

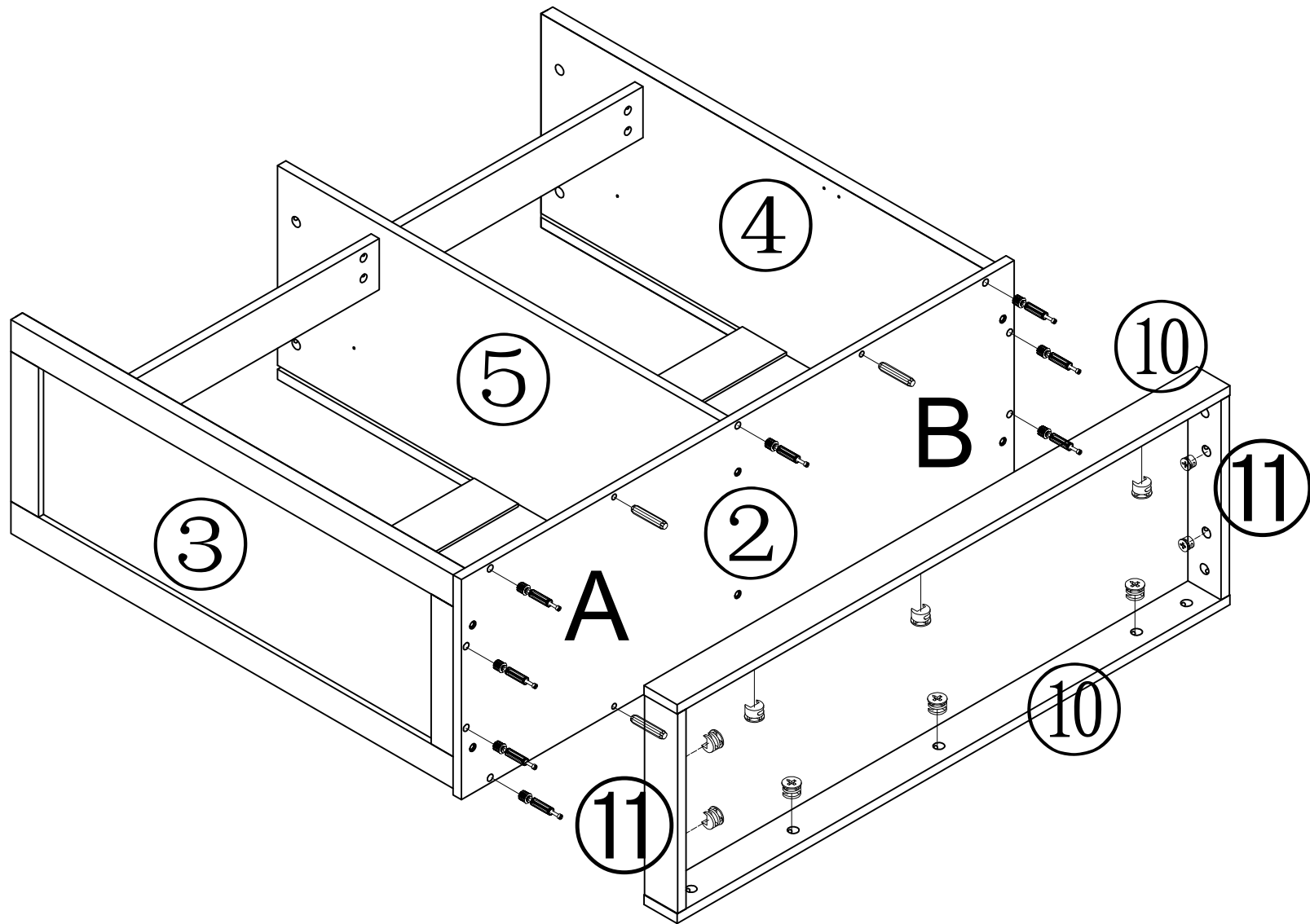


P\*6

7

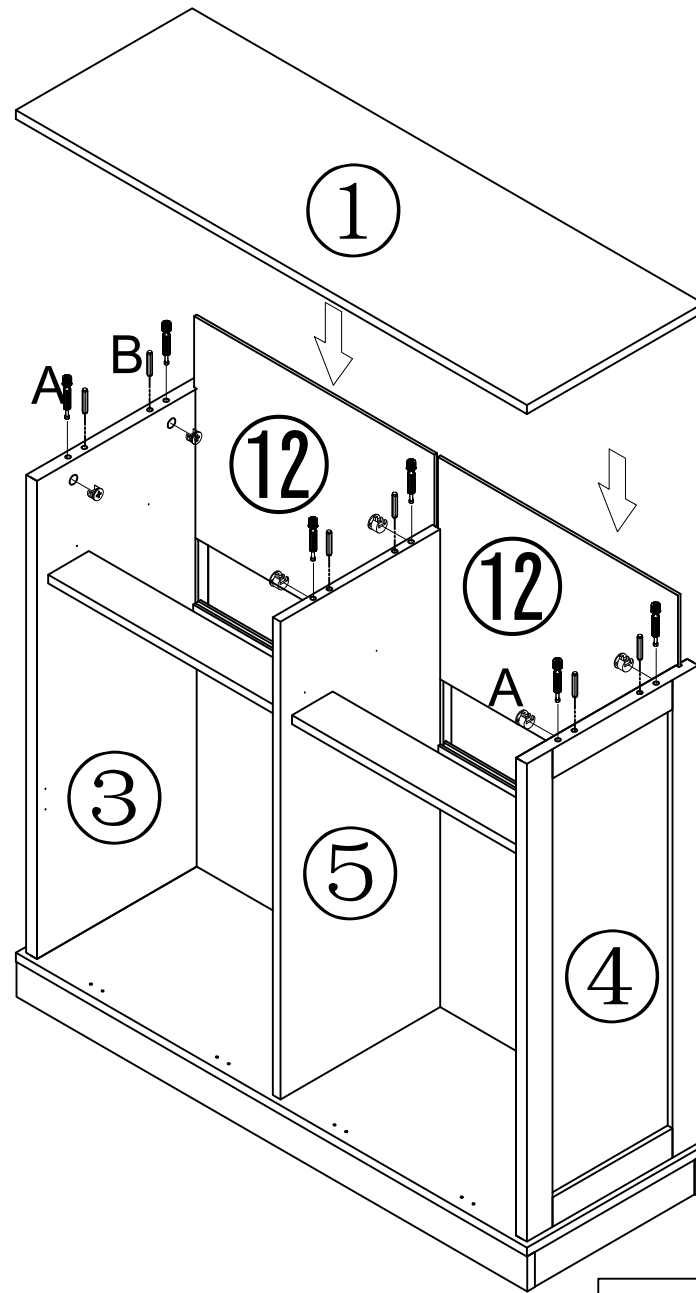


A\*4



A\*10 B\*4

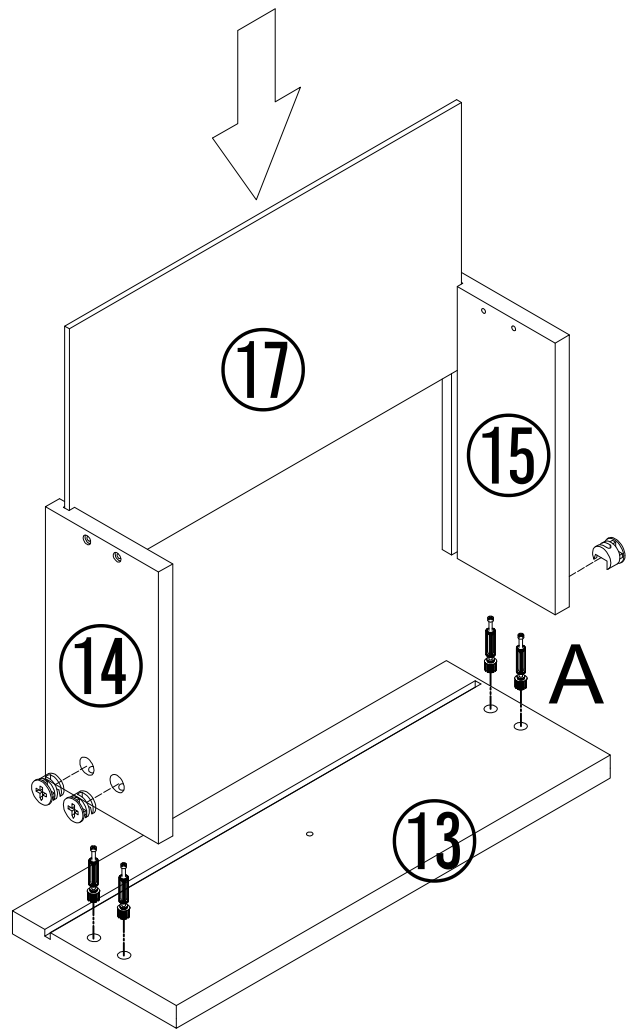
9



A\*6 B\*6

10

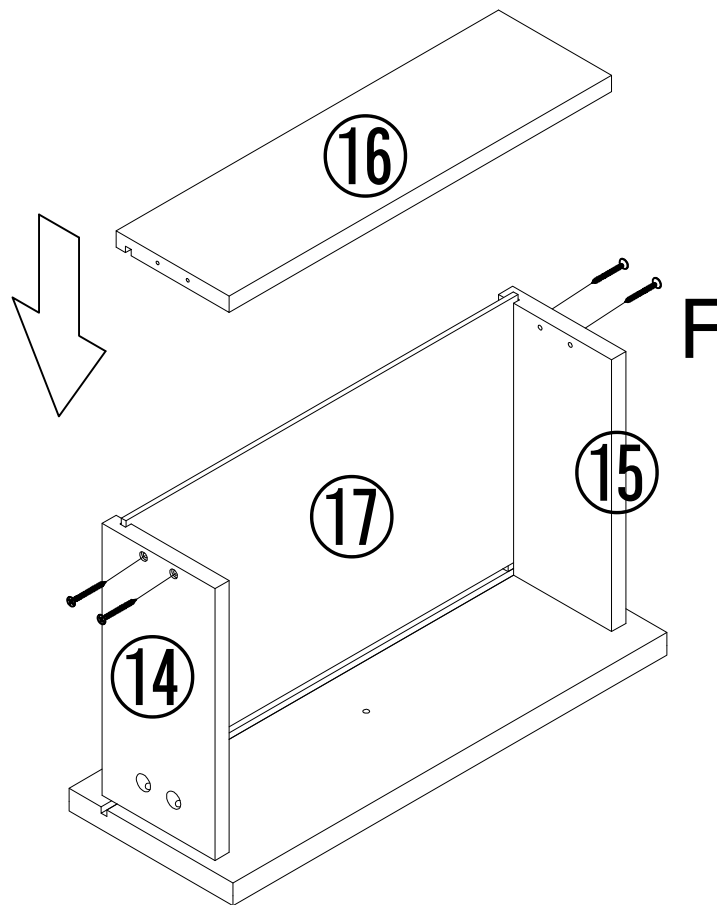
x2



A\*8

11

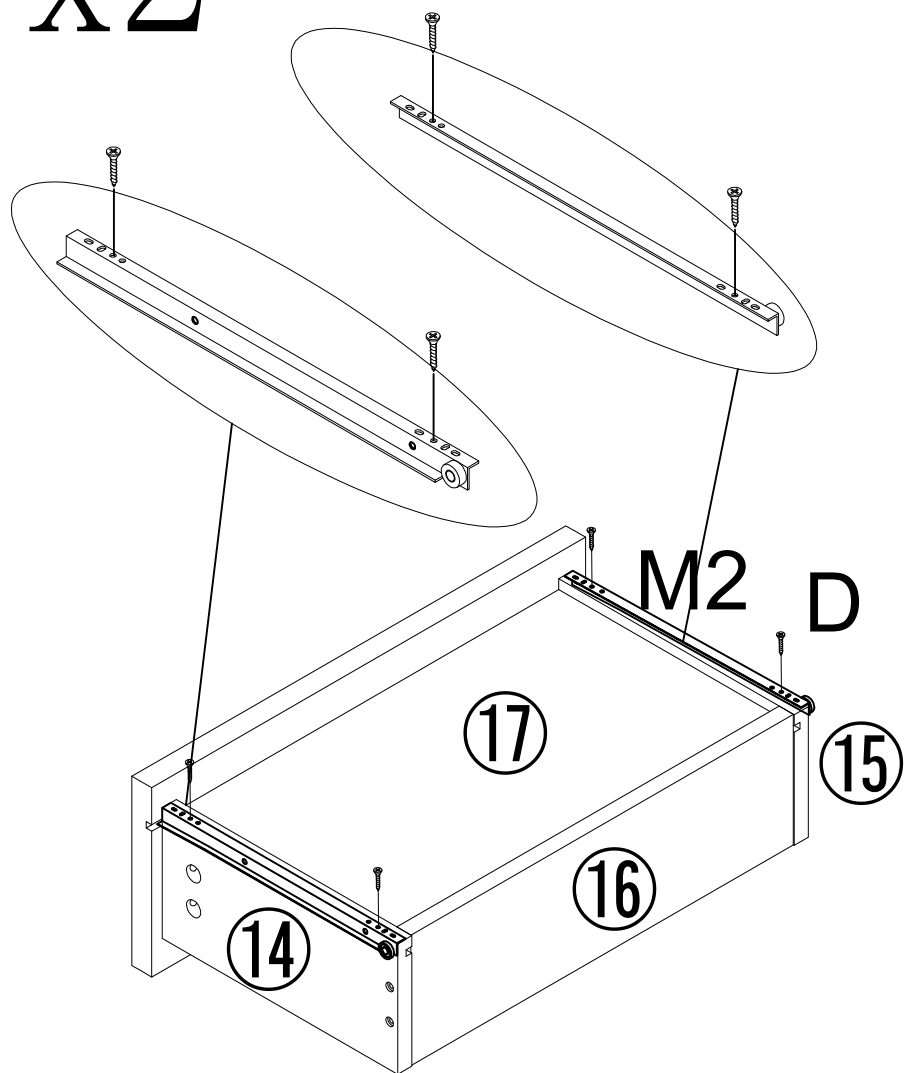
x2



F\*8

12

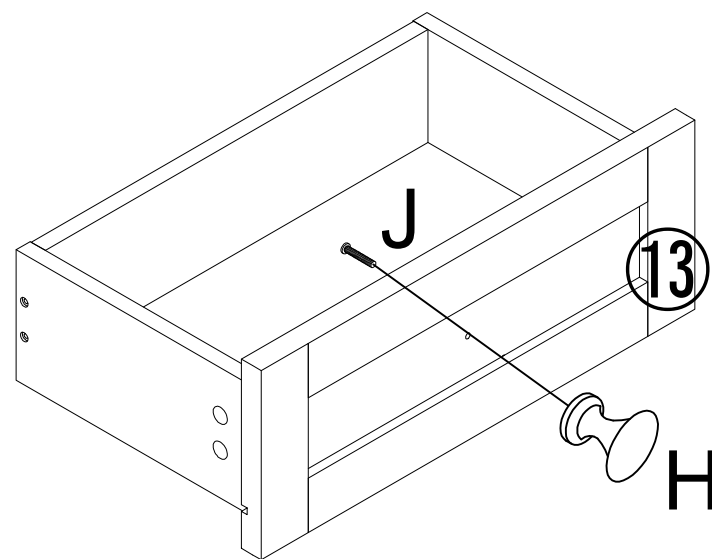
x2



D\*8 M2\*4

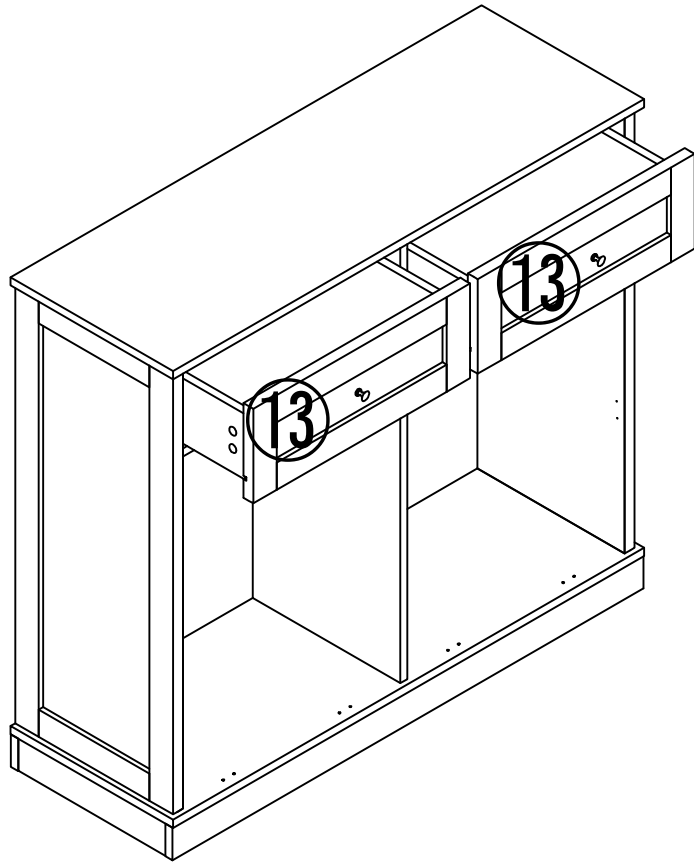
13

x2

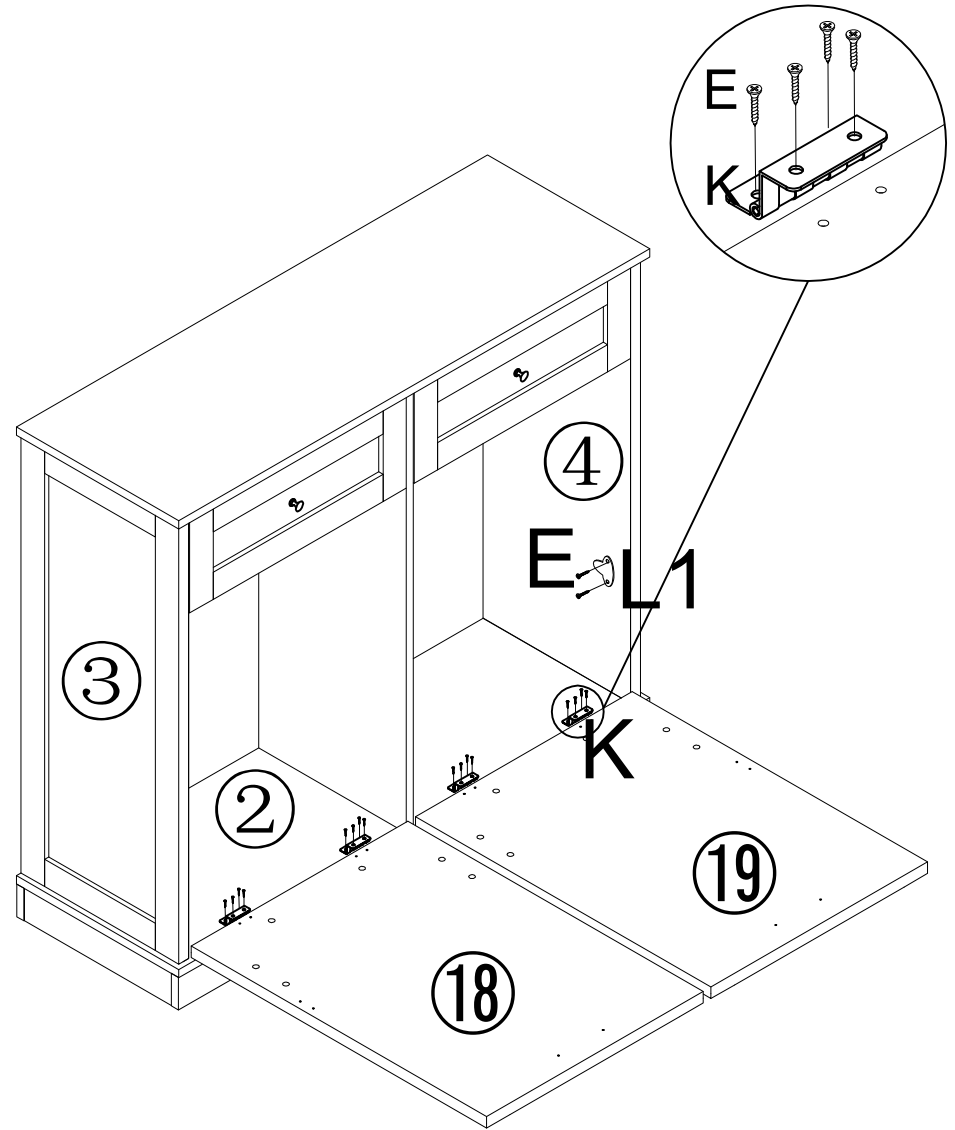


H\*2 J\*2

14

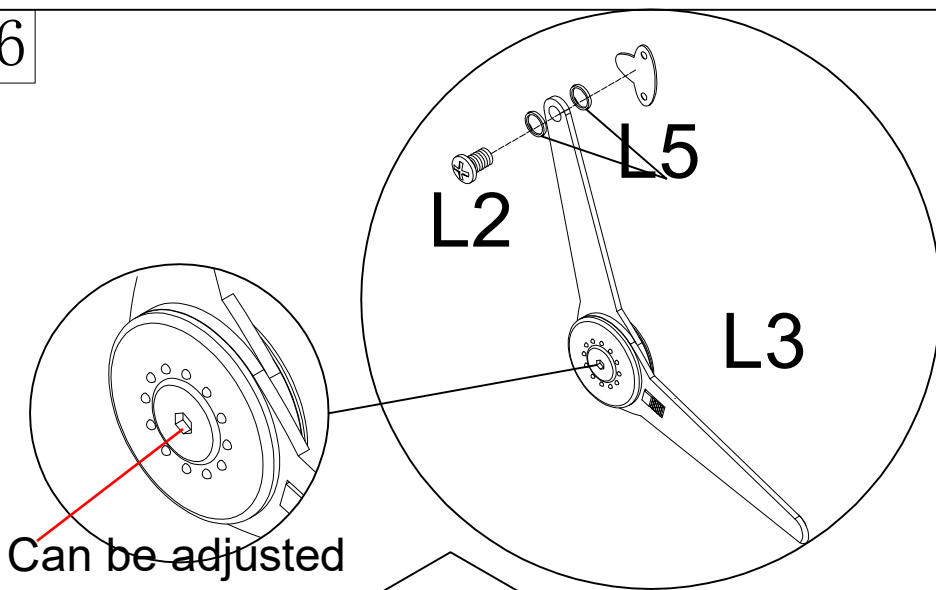


15

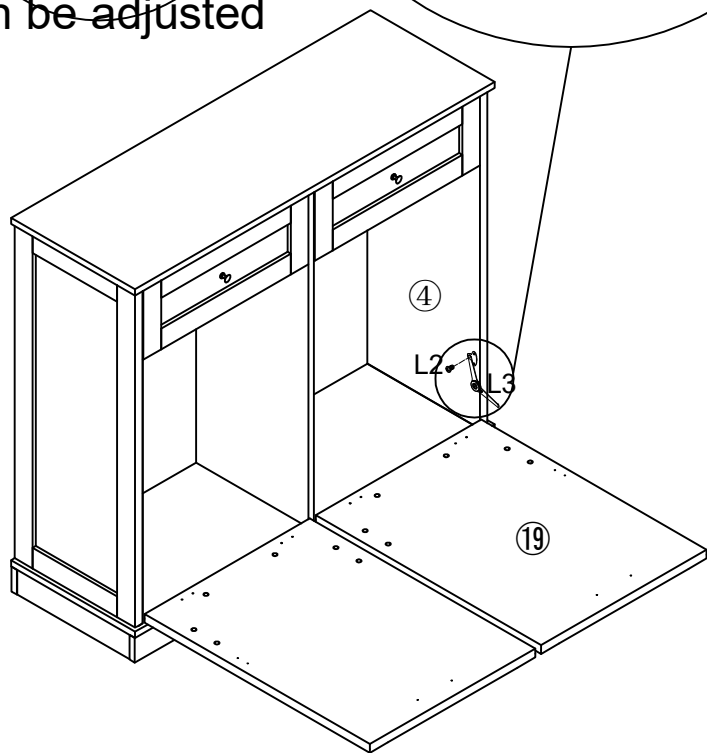


E\*20 K\*4 L1\*2

16

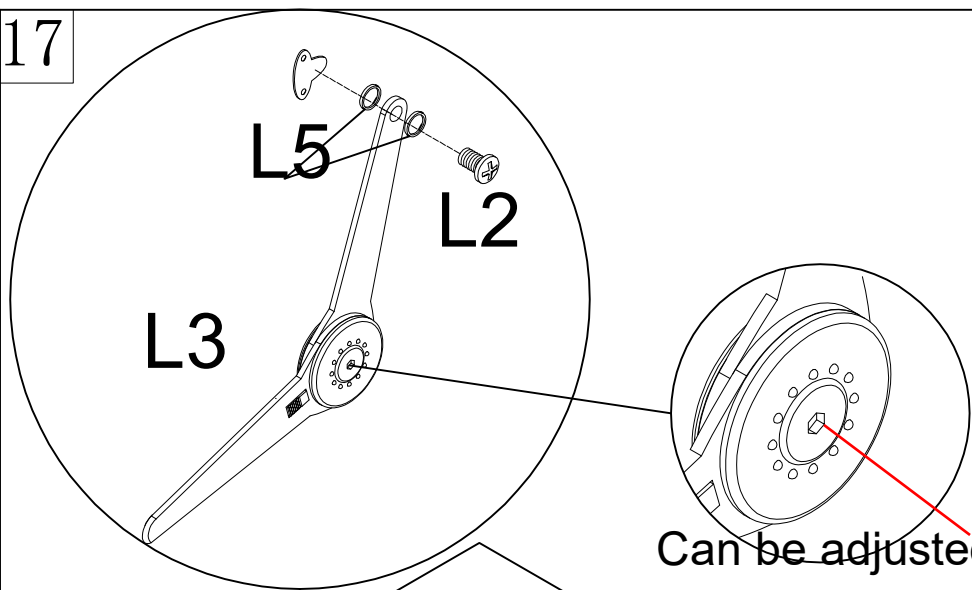


Can be adjusted

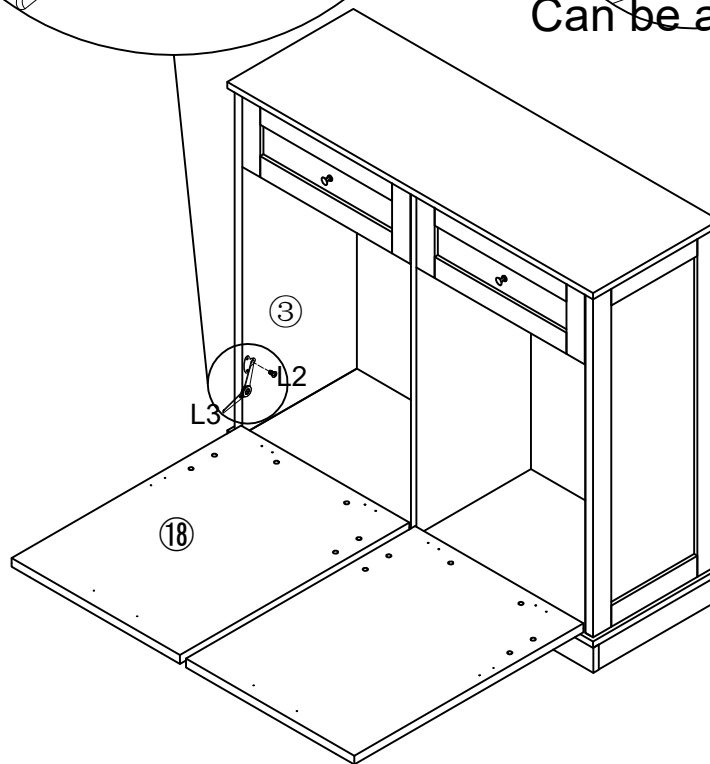


L2\*1 L3\*1 L5\*2

17



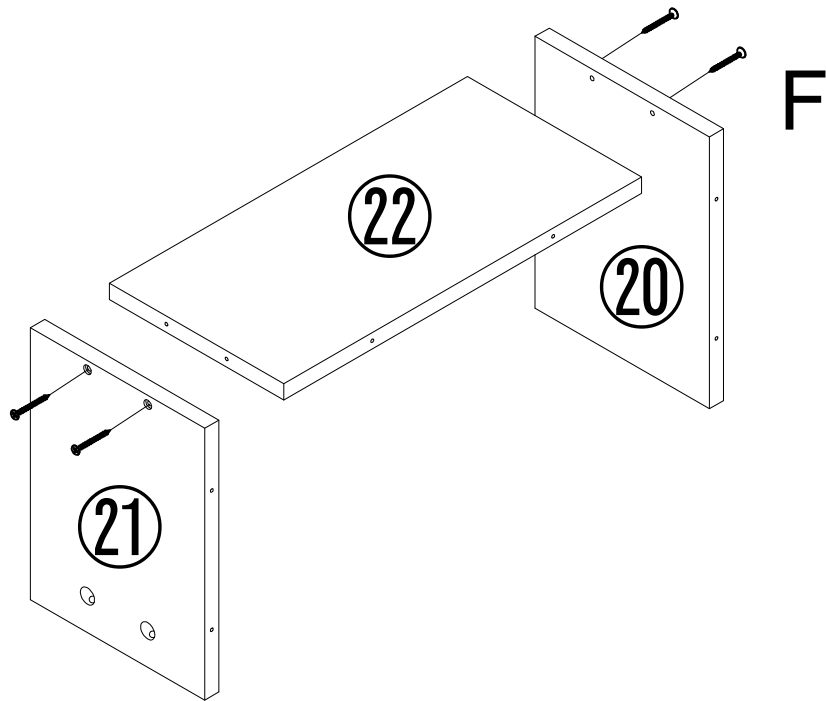
Can be adjusted



L2\*1 L3\*1 L5\*2

18

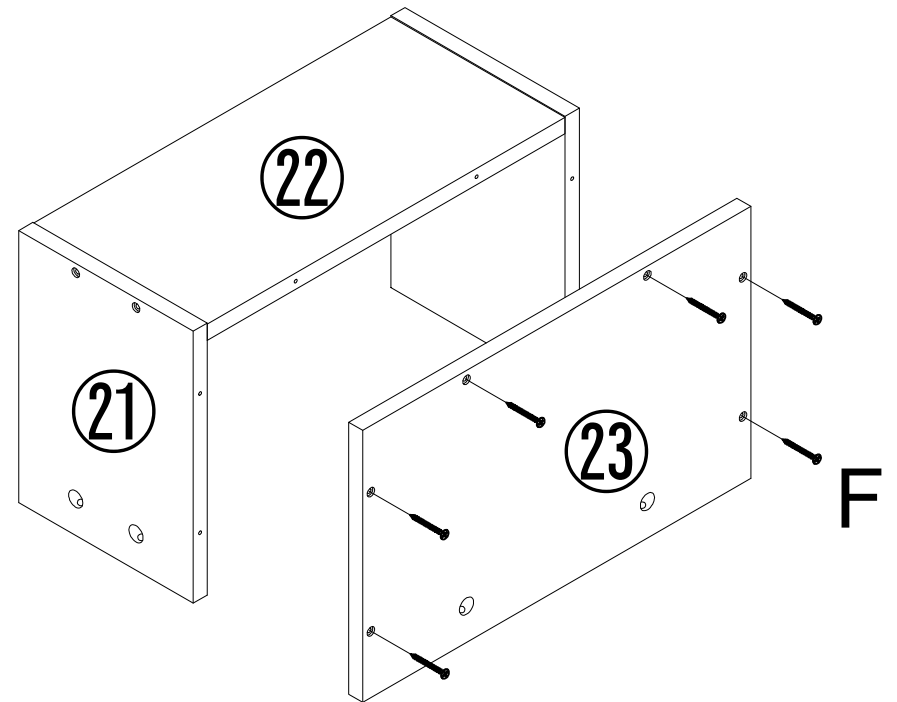
x2



F\*8

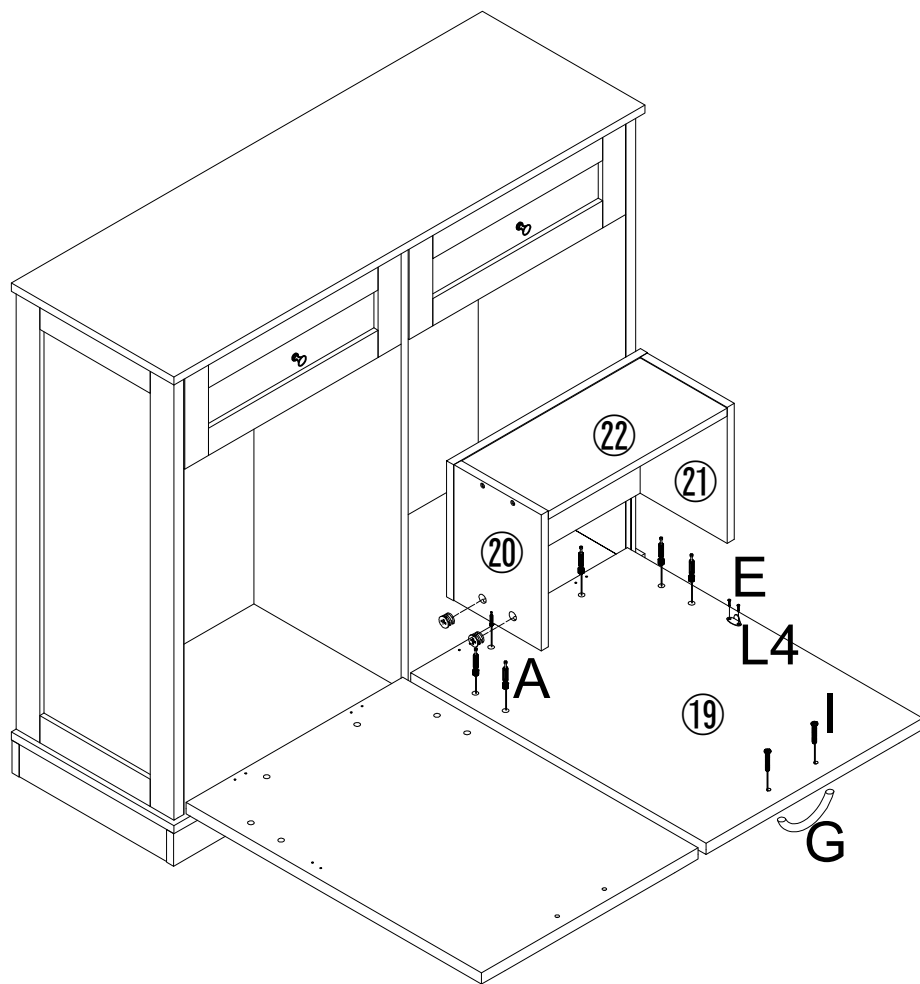
19

x2



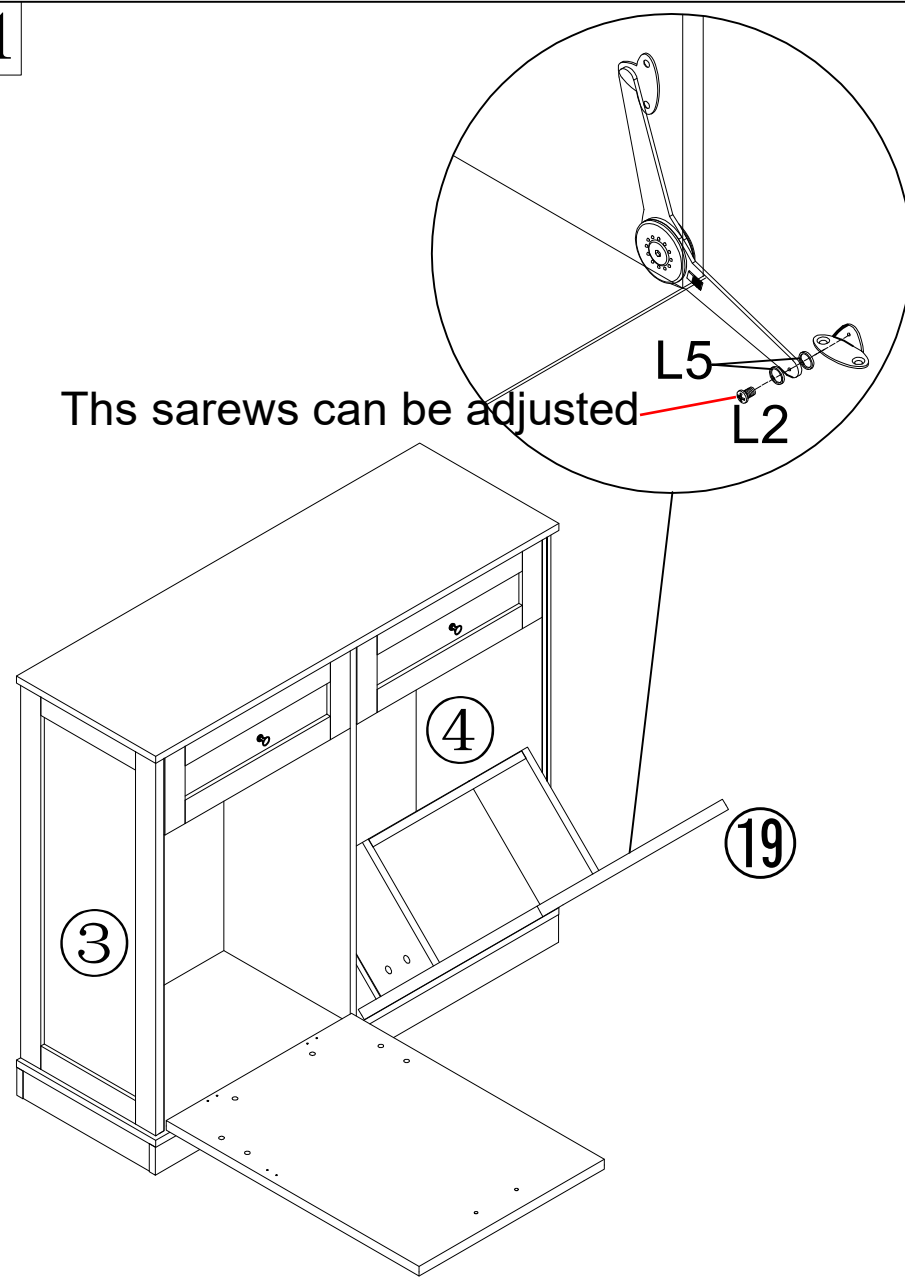
F\*12

20



A\*6 E\*2 G\*1 I\*2 L4\*1

21

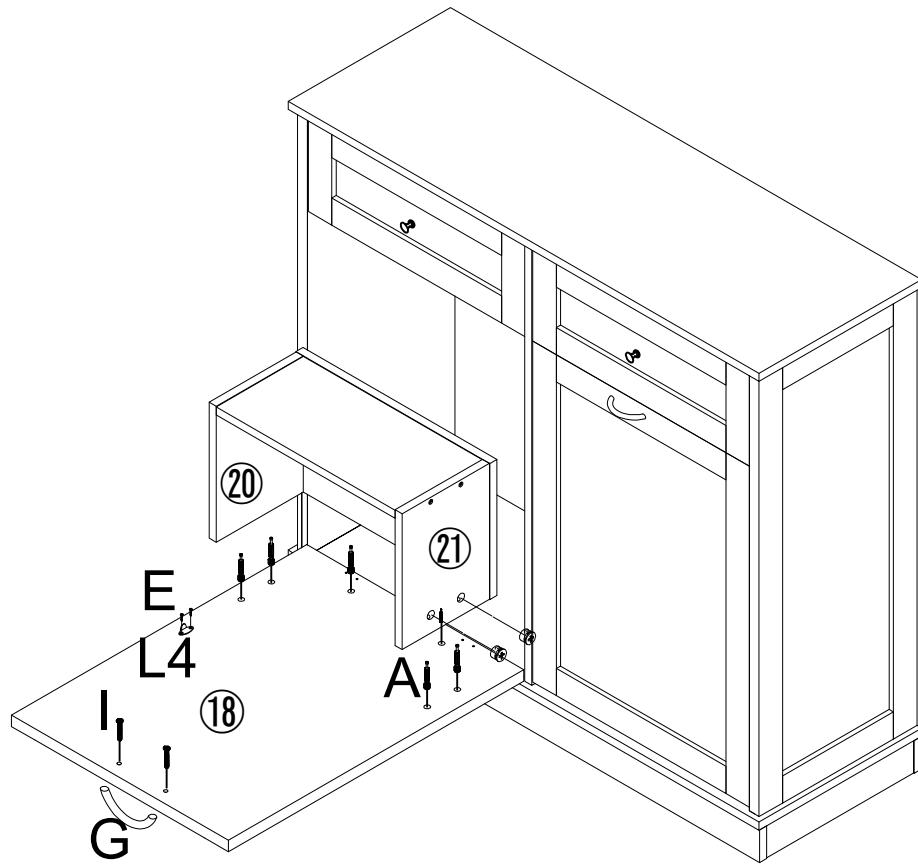


These screws can be adjusted

L5  
L2

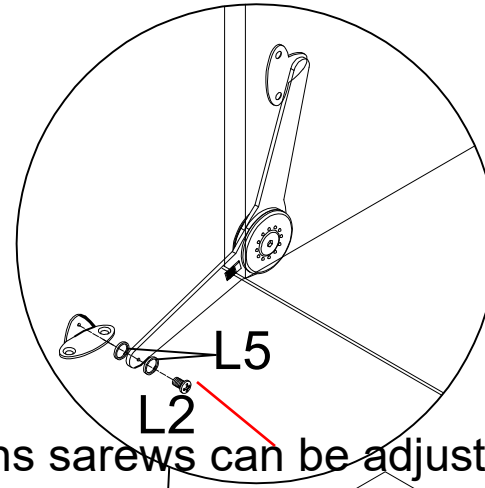
L2\*1 L5\*2

22

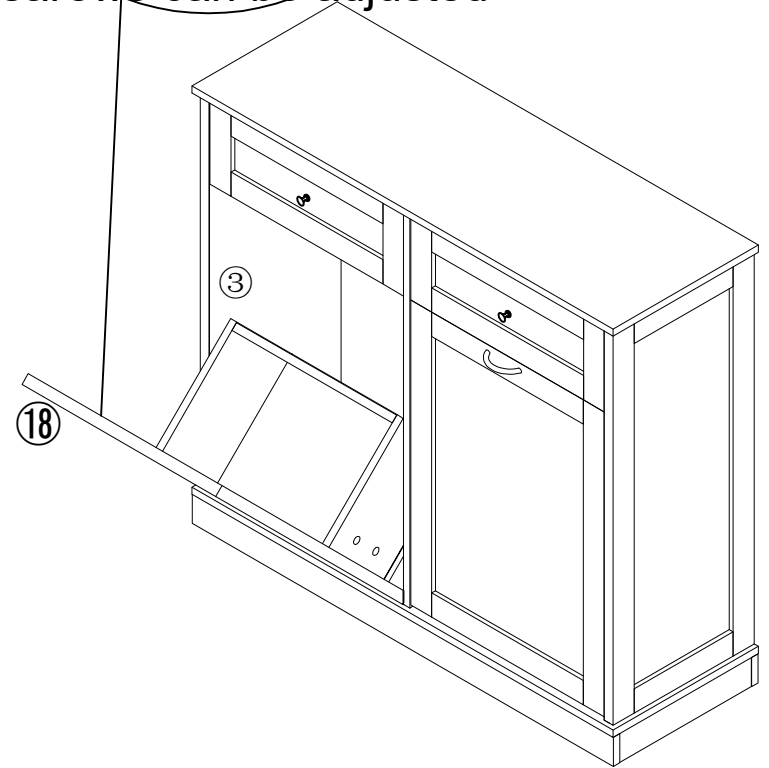


A\*6 E\*2 G\*1 I\*2 L4\*1

23

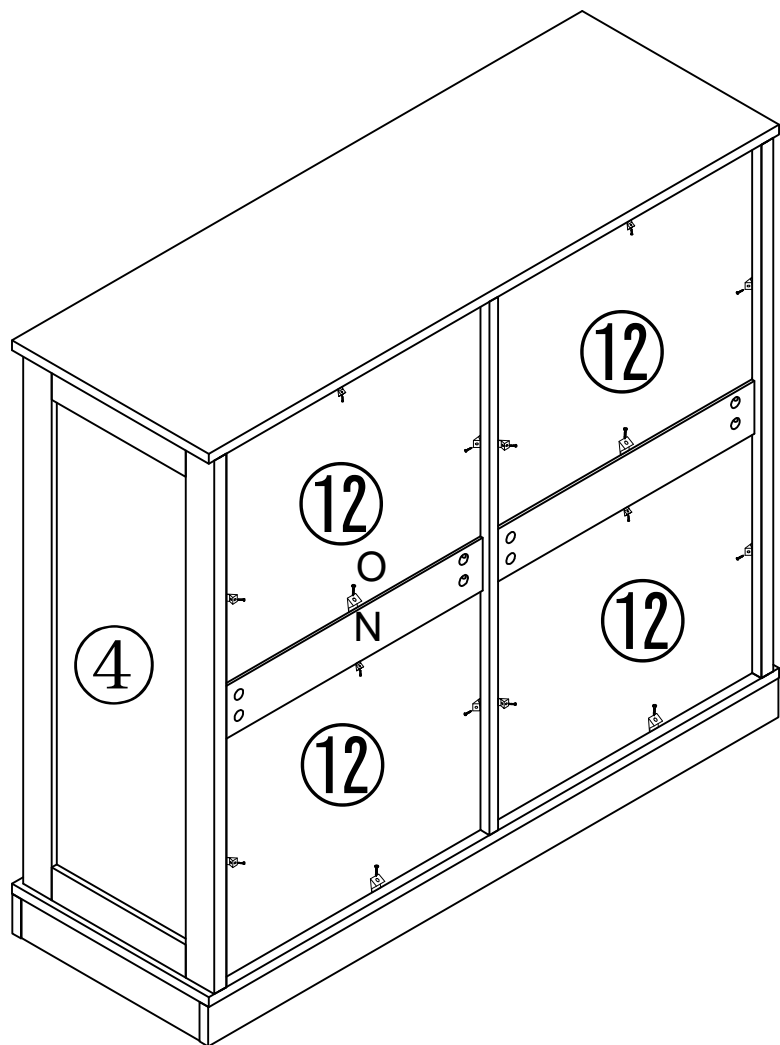


This sarews can be adjusted



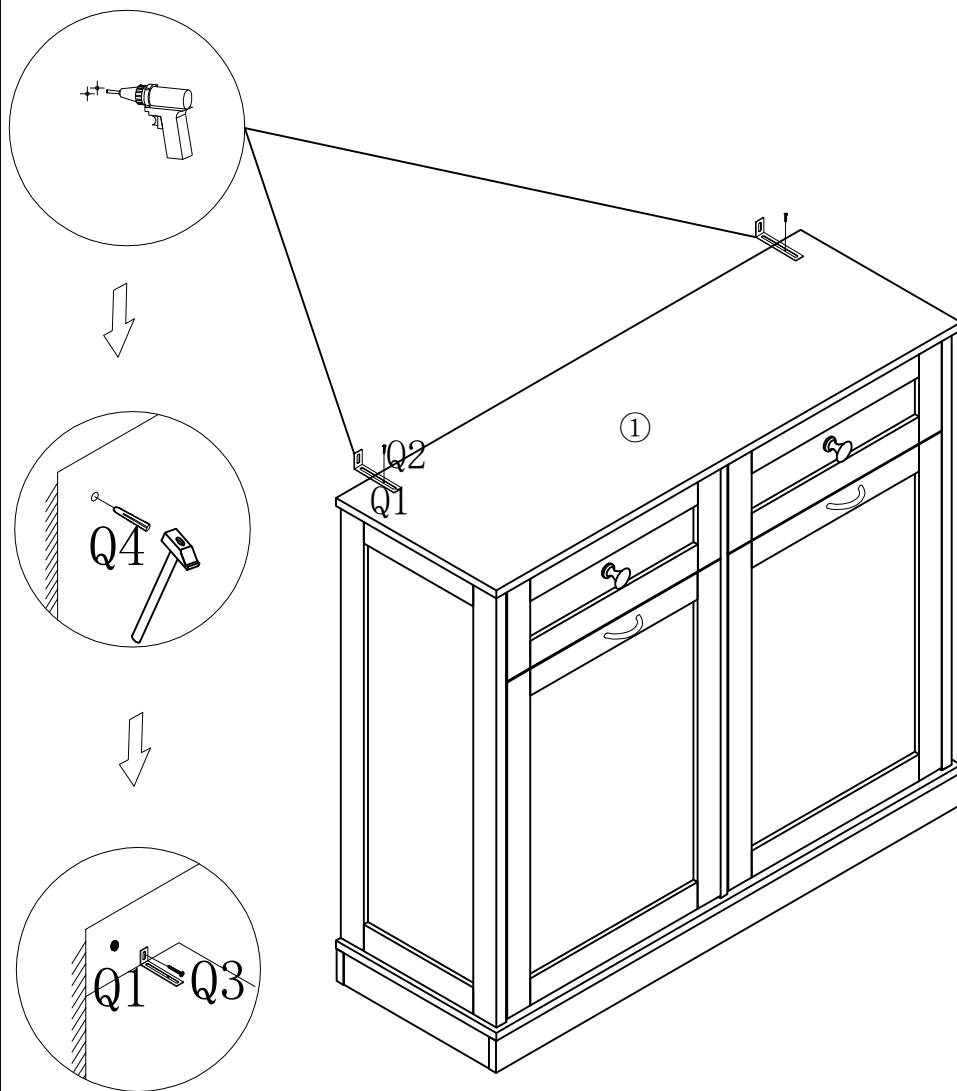
L2\*1 L5\*2

24



N\*16 O\*16

25



Q\*2