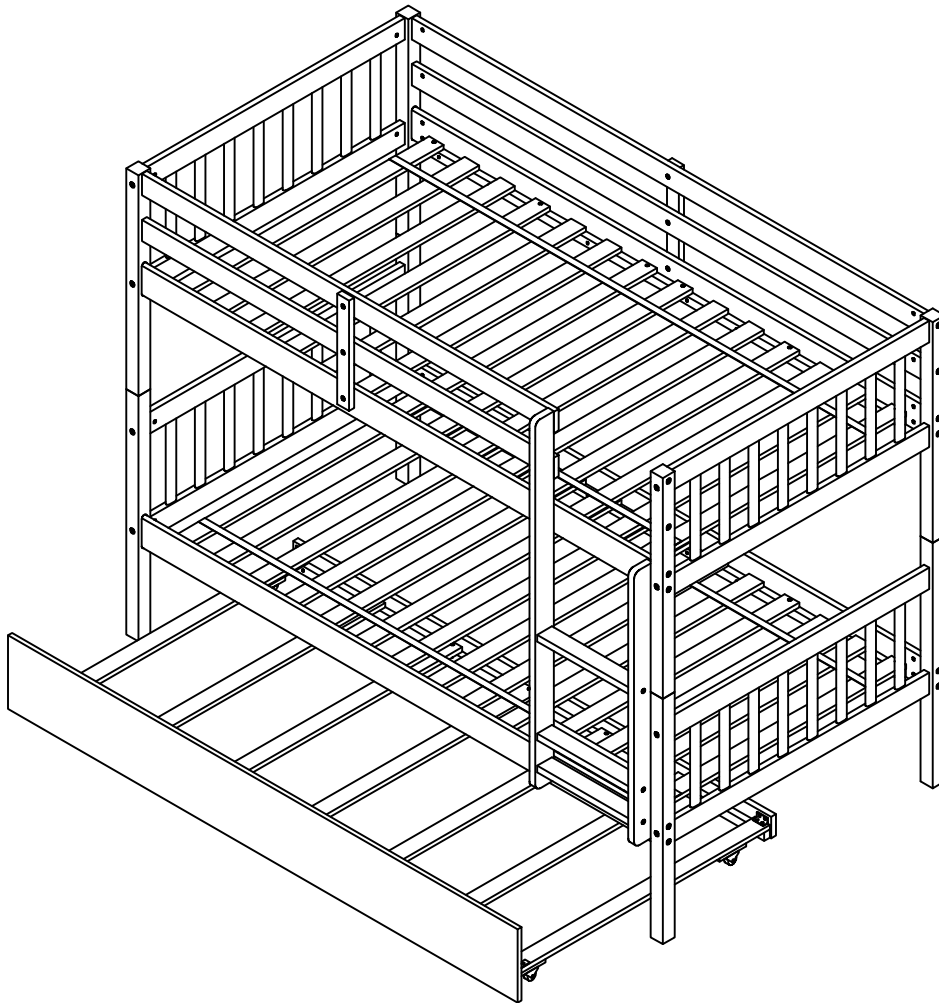


# ASSEMBLY INSTRUCTIONS

## TWIN/TWIN BUNKBED WITH TRUNDLE





# SAFETY WARNING



1. This bed is designed for use only mattress (es) meeting the following specifications on the upper bunk, and lower bunk:

## Down bed

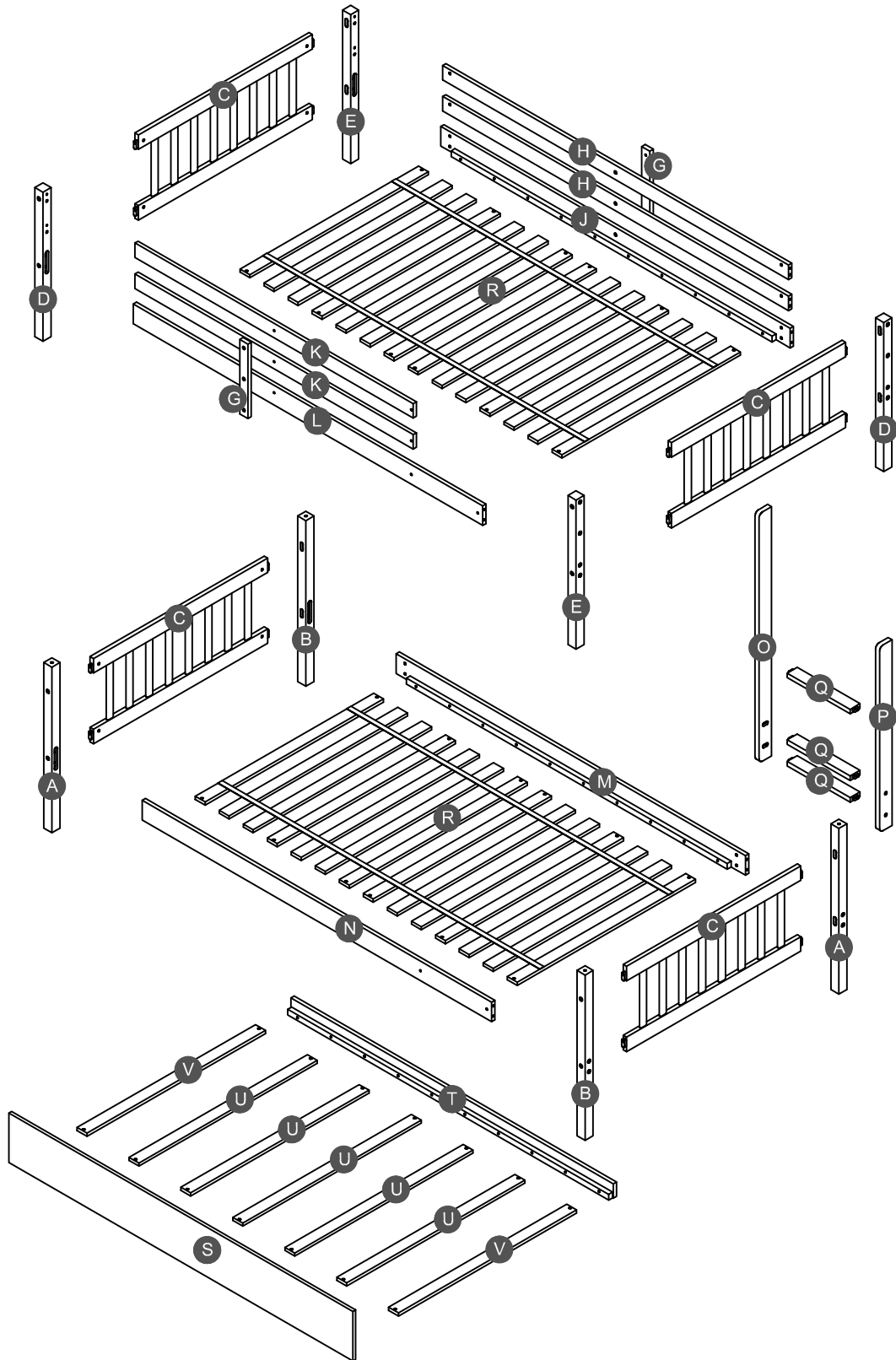
Bed type	Length	With	Thickness
Twin Standard	74"-75"	38 1/2"	8" max

## Up bed (Bunk bed and tribed included)

Bed type	Length	With	Thickness
Twin Standard	74"-75"	38 1/2"	6" max




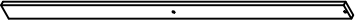
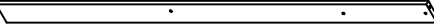
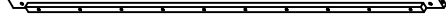

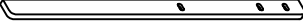

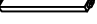
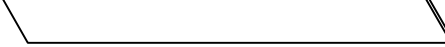



2. Replacement parts, including additional guardrails, maybe obtained from any of our
3. Follow the information on the warnings appearing on the upper bunk bed end structure and on the carton. Do not remove warning label from bed.
4. Always use the recommended size mattresses or mattress supports, or both, to help prevent the likelihood of entrapment or falls.
5. Surface of mattress must be at least 5" (127mm) below the upper edge of guardrails.
6. Do not allow children under 6 years of age to use the upper bunk.
7. Periodically check and ensure that the guardrail, ladder, and other components are in their proper position, free from damage, and that all connectors are tight.
8. Do not allow horseplay on or under the bed and prohibit jumping on the bed.
9. Always use the ladder for entering and leaving the upper bunk.
10. Do not use substitute part. Contact the manufacture or dealer for replacement part.
11. Use of a night light may provide added safety precaution for a child using the upper bunk.
12. Always use guardrails on both long sides of the upper bunk. If the bunk bed will be placed next to the wall, the guardrail that runs the full length of the bed should be placed against the wall to prevent entrapment between the bed and wall.
13. The use of water or sleep flotation mattresses is prohibited.
14. STRANGULATION HAZARD - Never attach or hang items to any part of the bunk bed that are not designed for use with the bed; for example, but not limited to, hook, belts and jump ropes.
15. Keep these instruction for future reference.

# Detail View



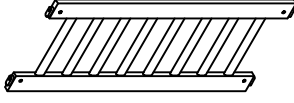


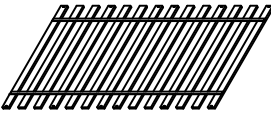


# Part List

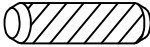


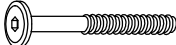


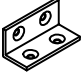

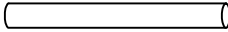
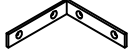


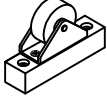
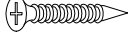
## DN11716(2-1)

<b>G</b>  Vertical guard rail - 2pcs	<b>H</b>  Upper Guard rail (Back) - 2pcs	<b>J</b>  Upper side rail (Back)- 1pc
<b>K</b>  Upper Guard rail (Front) - 2pcs	<b>L</b>  Upper side rail (Front)- 1pc	<b>M</b>  Lower side rail (Back)- 1pc
<b>N</b>  Lower side rail (Front)- 1pc	<b>O</b>  Left side ladder - 1pc	<b>P</b>  Right side ladder - 1pc
<b>Q</b>  Step ladder - 3pcs	<b>S</b>  Front panel of trundle - 1pc	<b>T</b>  Back panel of trundle - 1pc
<b>U</b>  Trundle Slats - 5pcs	<b>V</b>  Trundle Slats - 2pcs	

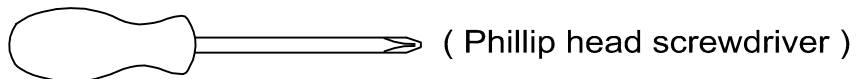
## Hardware List DN11716(2-2)

<b>A</b>  Lower leg(Left Front /Right Back)- 2pcs	<b>B</b>  Lower leg(Left Back/Right Front)- 2pcs	<b>C</b>  Upper/Lower HB&FB (4pcs)
<b>D</b>  Upper leg(Left Front /Right Back)- 2pcs	<b>E</b>  Upper leg(Left Back /Right Front)- 2pcs	<b>R</b>  Slats - 2set (14pcs/set)

# Hardware List



<b>1</b>  Ø10*40mm Wood dowel (6pcs)	<b>2</b>  (Ø15)1/4"*100mm Hex-Head bolts (22pcs)	<b>3</b>  (Ø15)1/4"*80mm Hex-Head bolts (16pcs)
<b>4</b>  (Ø12)1/4"*60mm Hex-Head bolts (6pcs)	<b>5</b>  (Ø12)1/4"*40mm Hex-Head bolts (6pcs)	<b>6</b>  (Ø12)1/4"*30mm Hex-Head bolts (6pcs)
<b>7</b>  40*18*18*2mm Metal bracket (2pcs)	<b>8</b>  1/4"*15 (9.5mm) Horizontal-Hole bolts(44pcs)	<b>9</b>  Ø9*90mm Connecting bar (4pcs)
<b>10</b>  95*95*18*3mm Metal bracket (2pcs)	<b>11</b>  Ø3.5*15mm Wood screws (16pcs)	<b>12</b>  (1/4")4.5*58mm Allen key (1pc)
<b>13</b>  100*63*20mm Wheels (4pcs)	<b>14</b>  Ø4*30mm Wood screws (46pcs)	

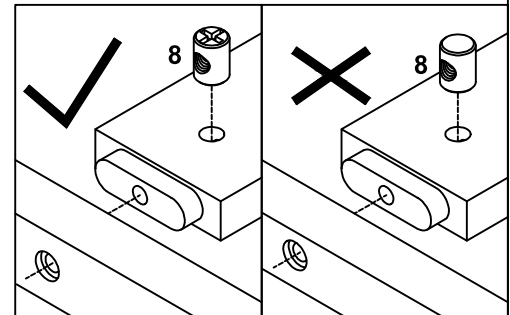
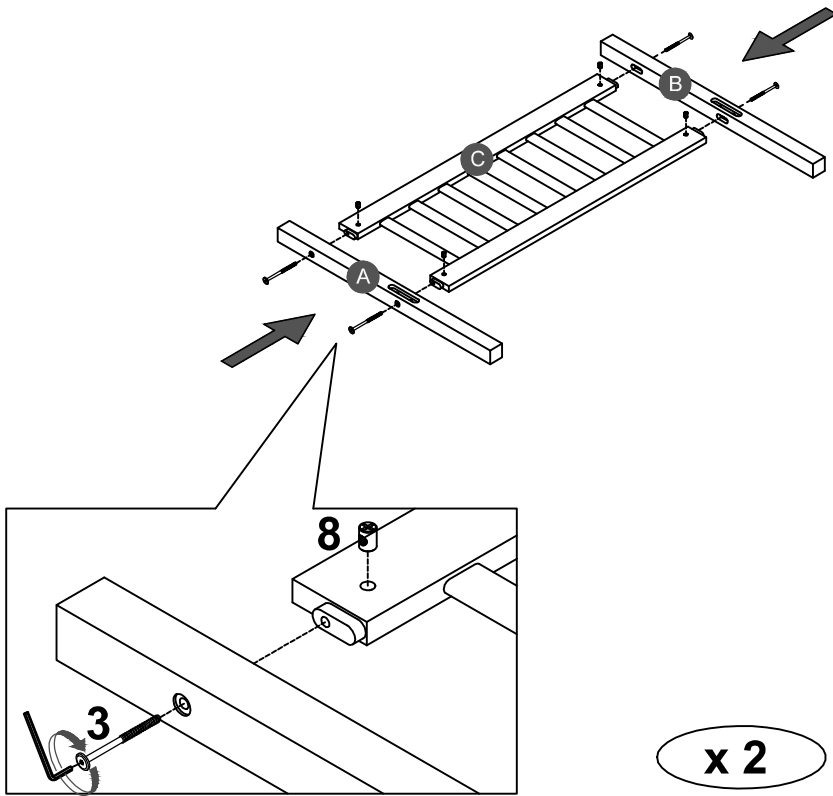
## ASSEMBLY TOOLS REQUIRED ( NOT INCLUDED )



DO NOT USE POWER TOOLS TO ASSEMBLE THIS PRODUCT !



**STEP 1:**

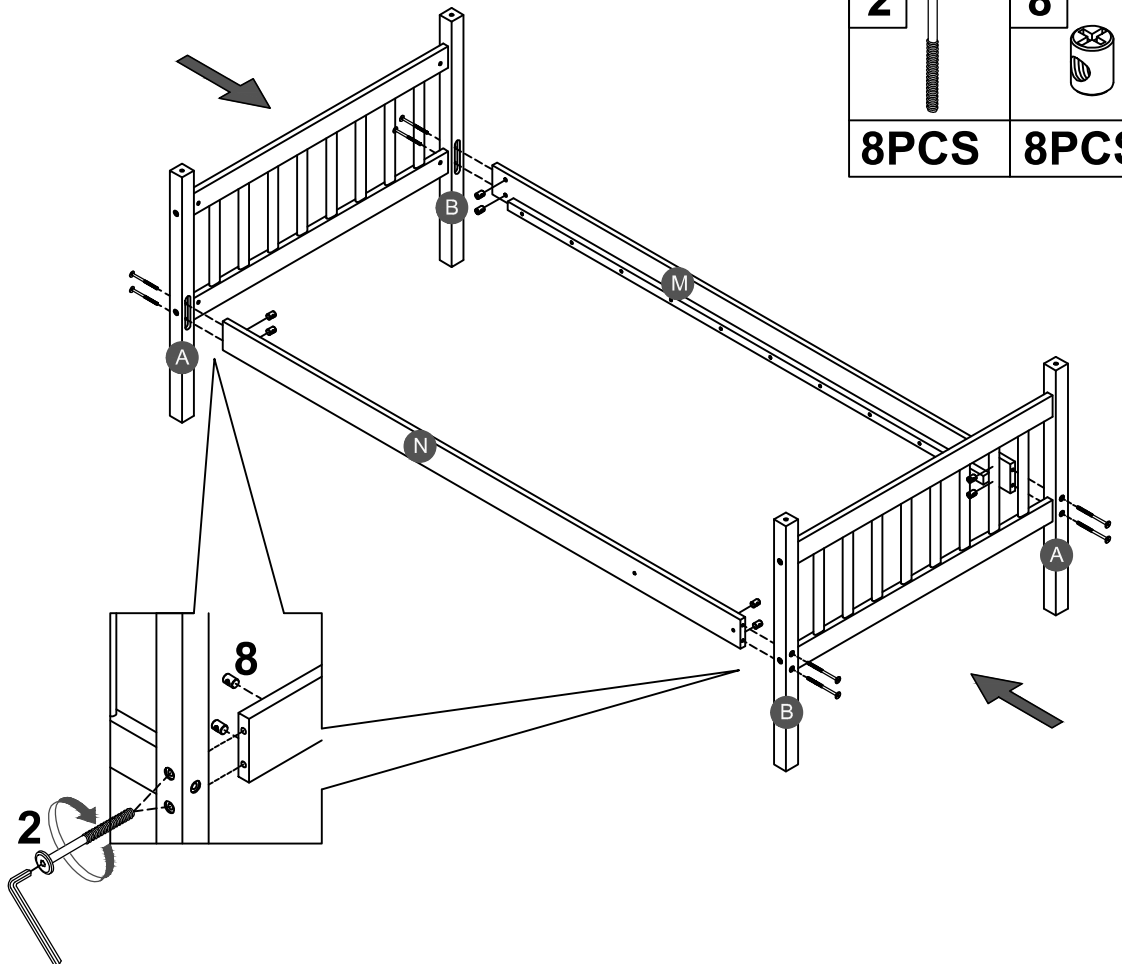
<b>3</b>		<b>8</b>	
<b>8PCS</b>		<b>8PCS</b>	



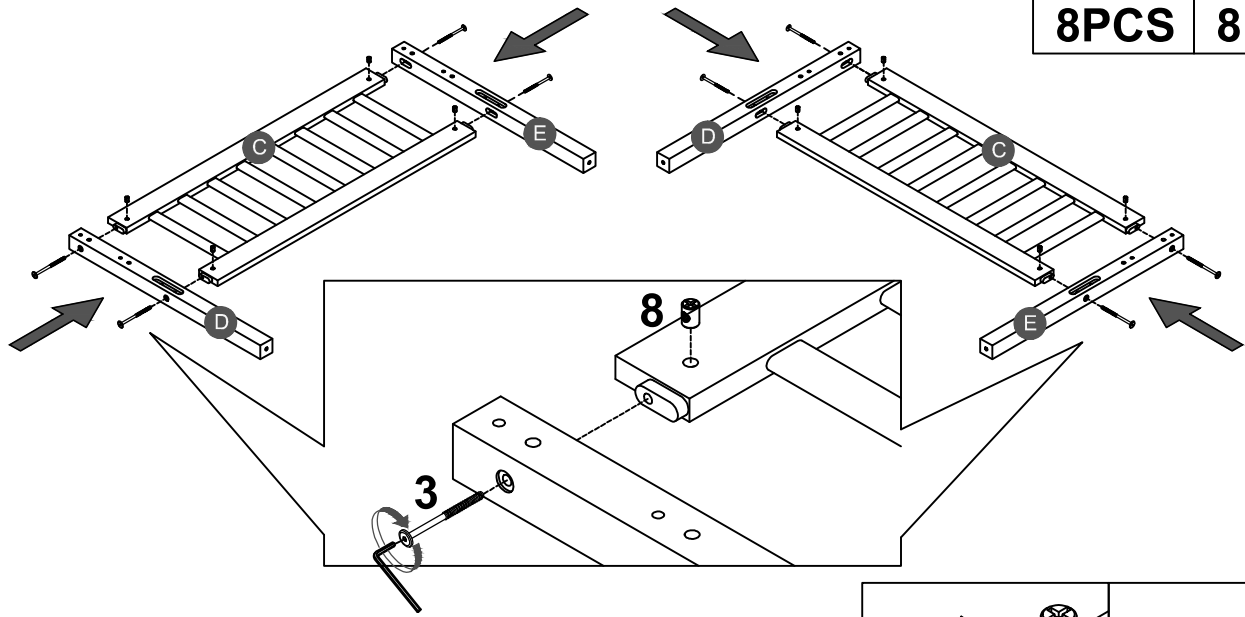
Note: Part 8 will face up with the "x" mark on it, otherwise it cannot be tightened

**STEP 2:**

<b>2</b>		<b>8</b>	
<b>8PCS</b>		<b>8PCS</b>	

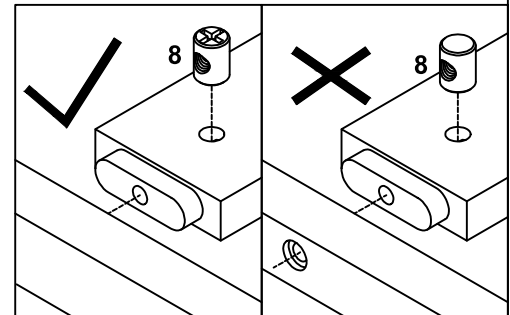


### STEP 3:

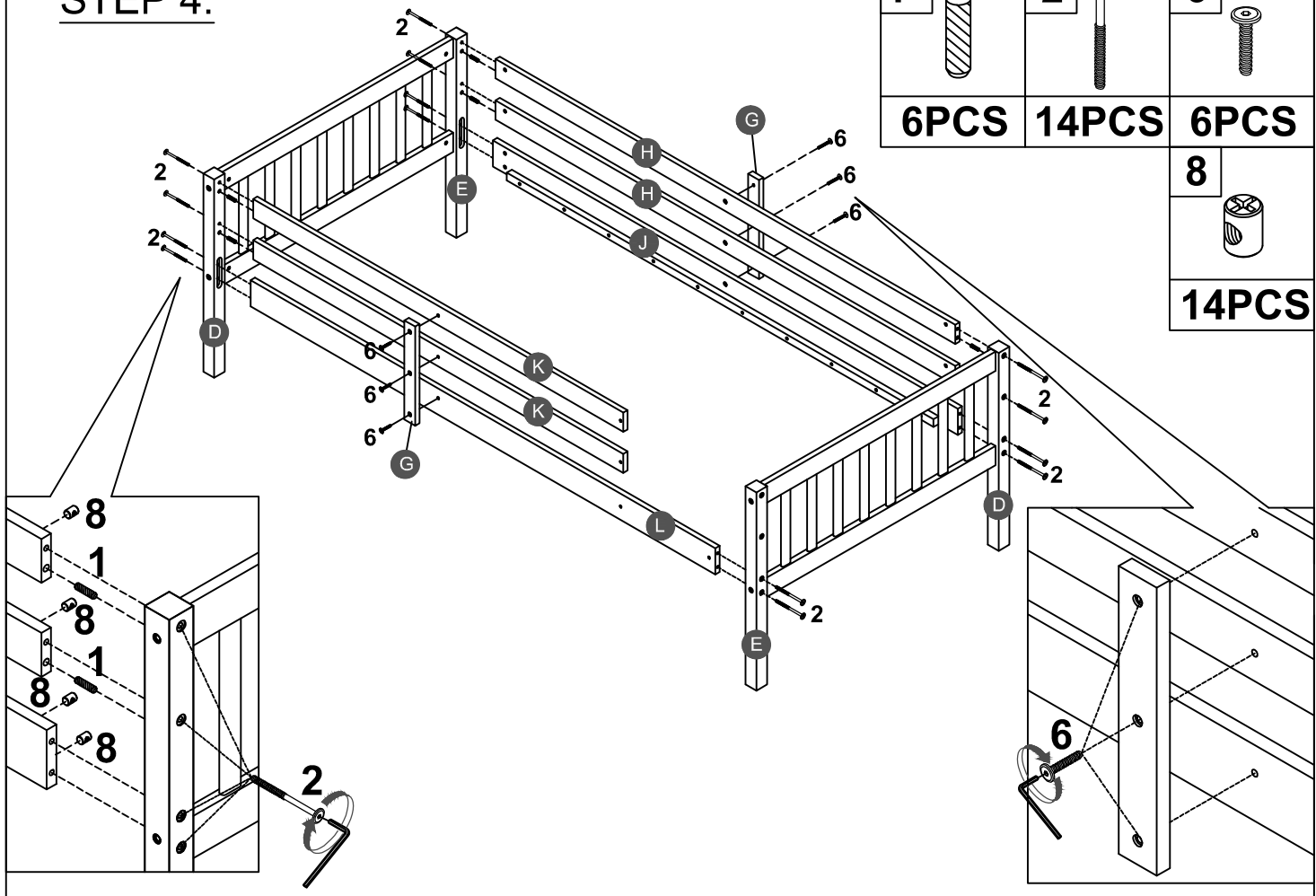


3	8
8PCS	8PCS

Note: Part 8 will face up with the "x" mark on it, otherwise it cannot be tightened

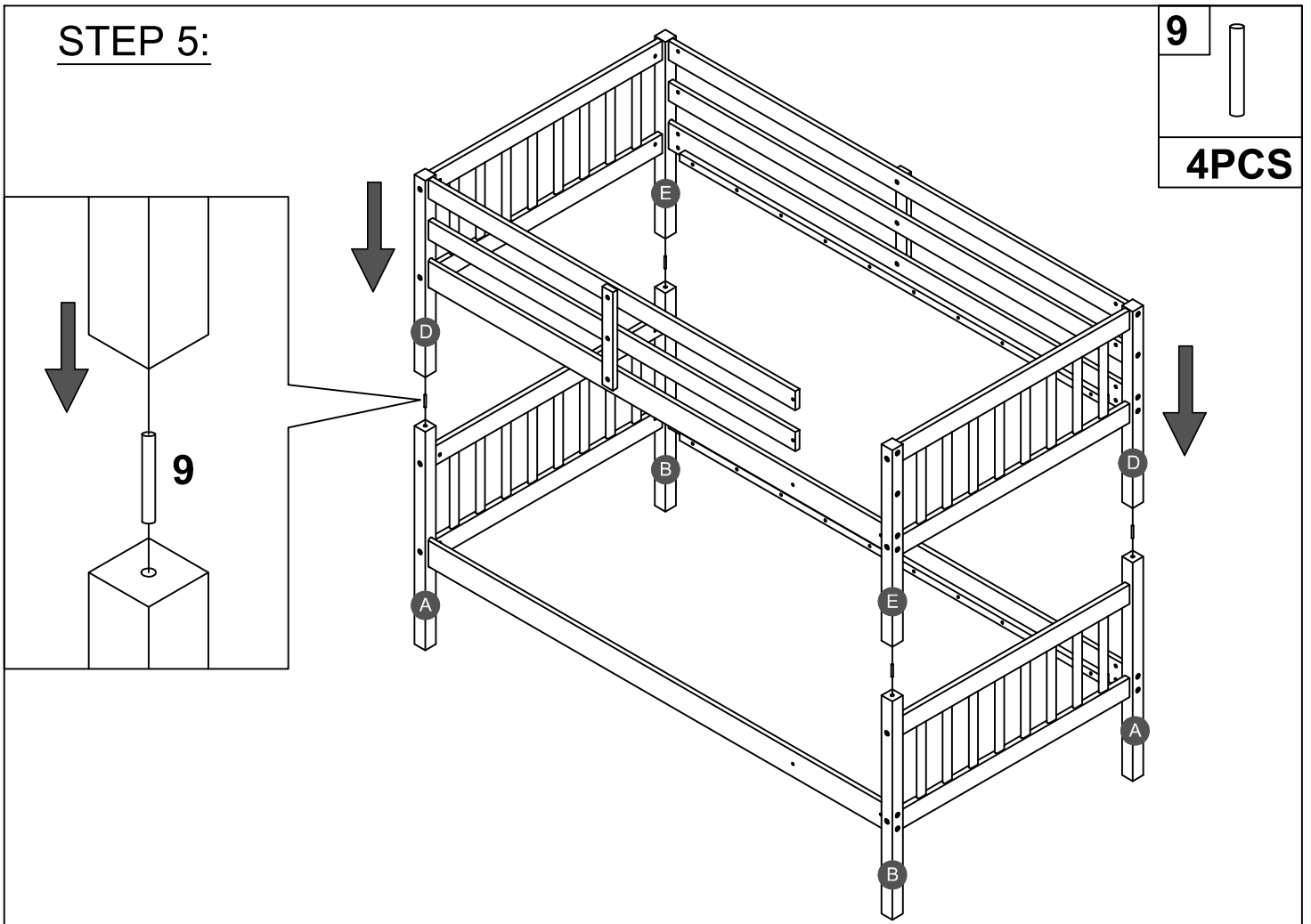


### STEP 4:

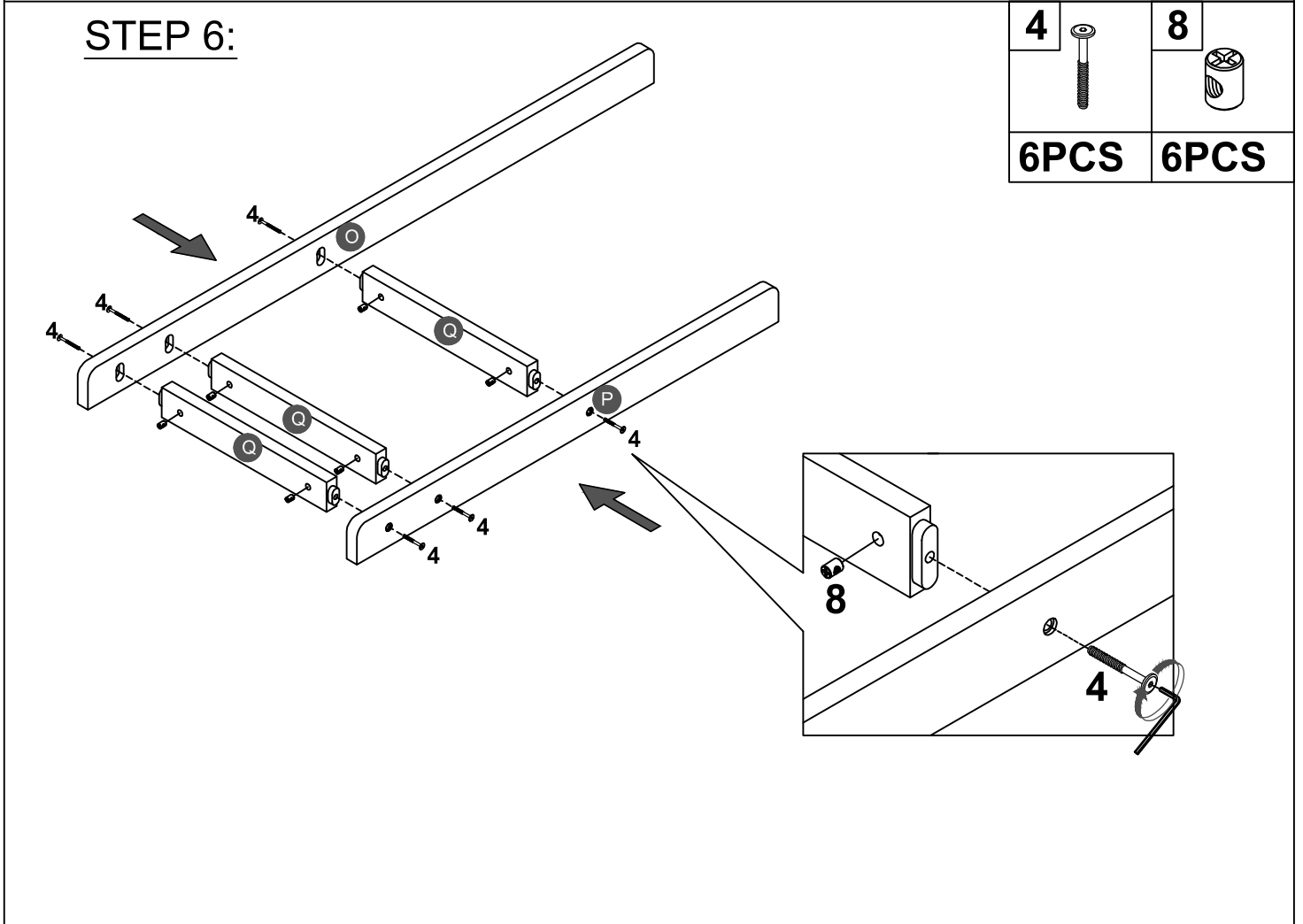


1	2	6
6PCS	14PCS	6PCS
		8
		14PCS


**STEP 5:**

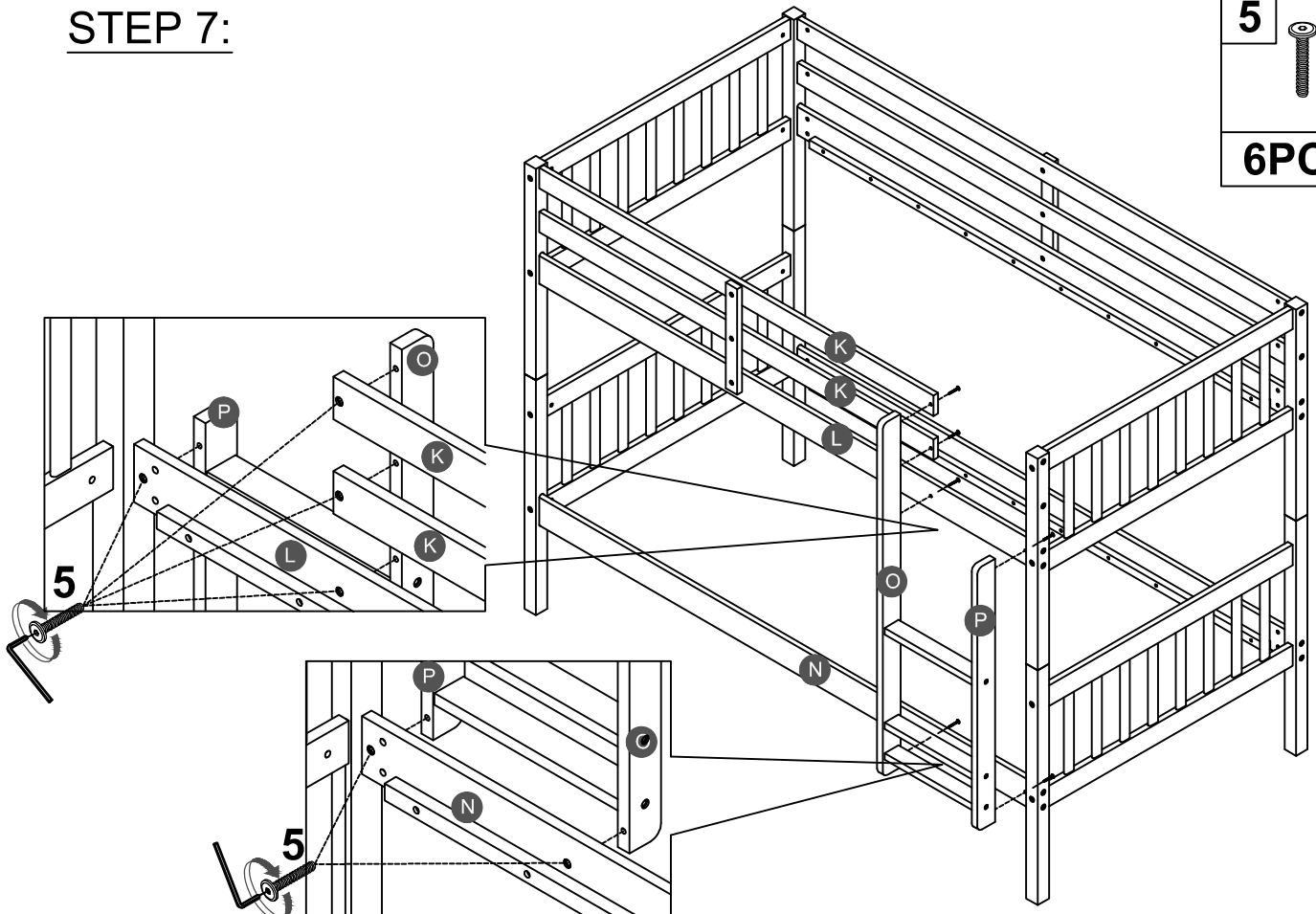


**STEP 6:**




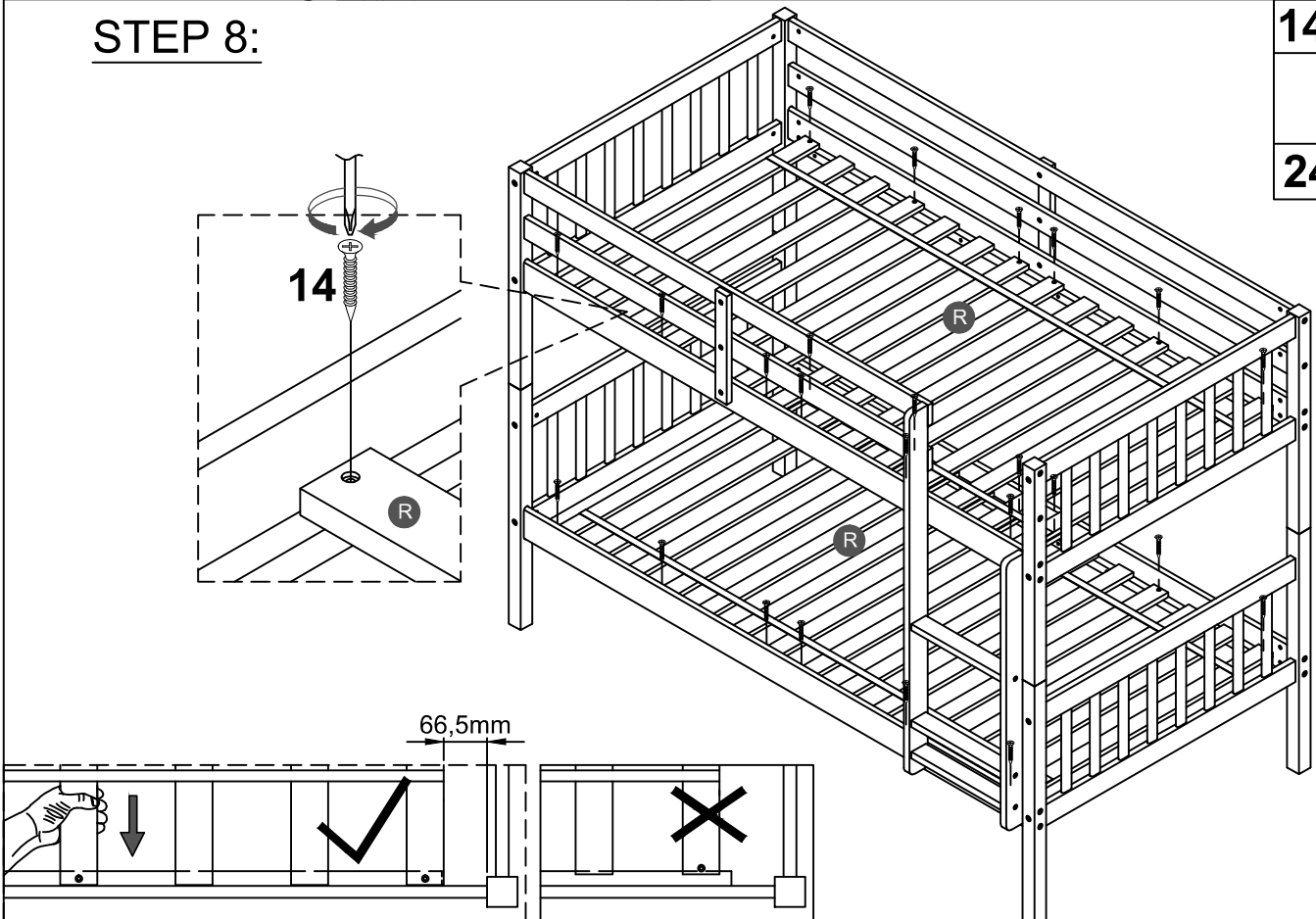
**STEP 7:**

**5**  
  
**6PCS**



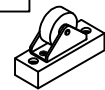

**STEP 8:**

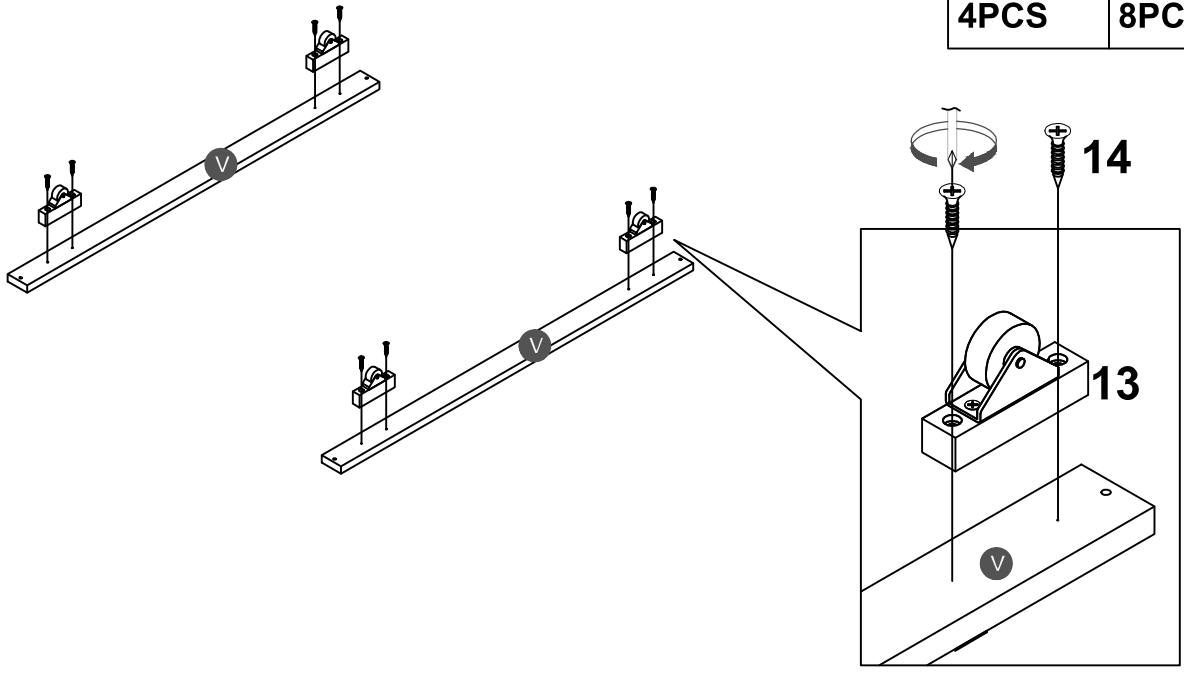
**14**  
  
**24PCS**




Note: Do not lock the screws of the bed slats to the outermost edge of the bed slats, you need to leave a certain space at the edges, otherwise it will cause the board to break. Do not lock the bed slats on the edge of the wood, please hold firmly before screwing , hold it in place with one hand, then lock the screw.

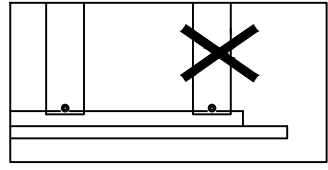
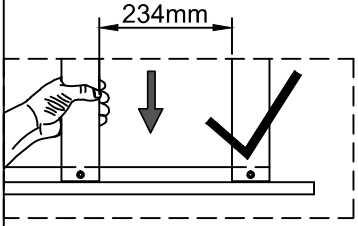
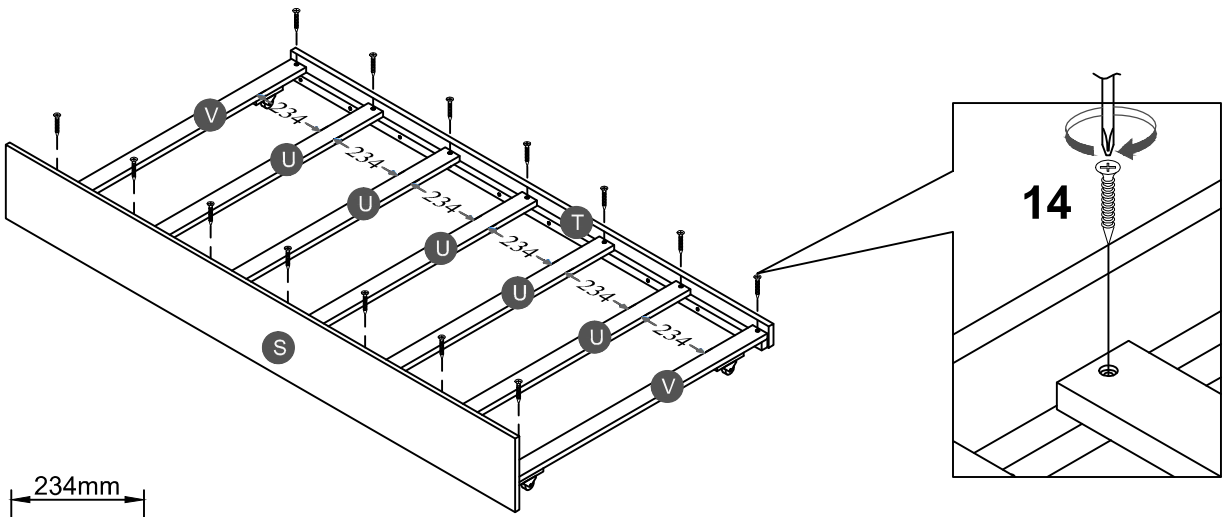
**STEP 9:**

<b>13</b> 	<b>14</b> 
<b>4PCS</b>	<b>8PCS</b>



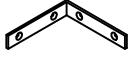

**STEP 10:**

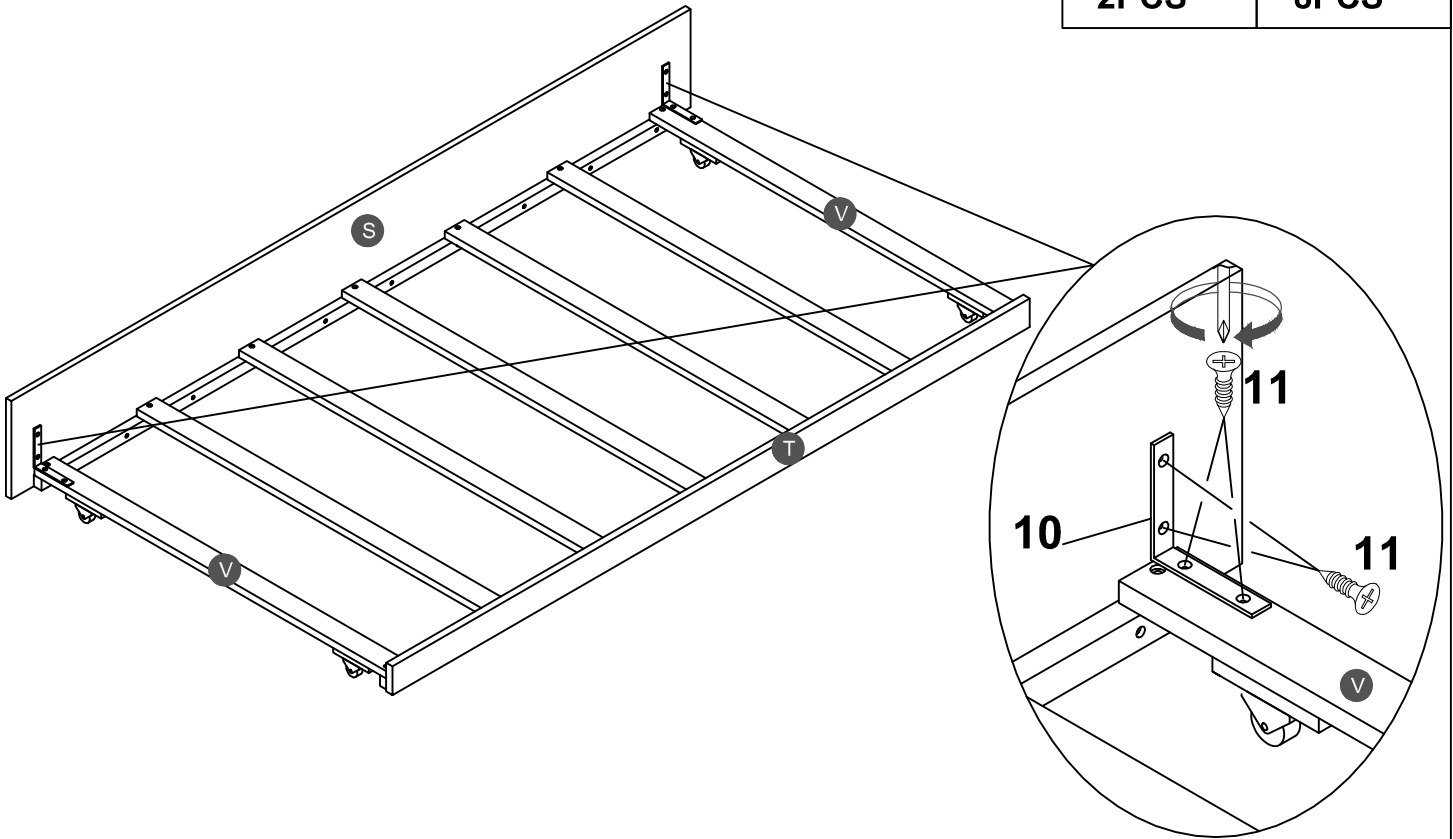
<b>14</b> 
<b>14PCS</b>



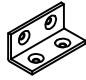
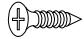
Note: Do not lock the screws of the bed slats to the outermost edge of the bed slats, you need to leave a certain space at the edges, otherwise it will cause the board to break.  
Do not lock the bed slats on the edge of the wood, please hold firmly before screwing, hold it in place with one hand, then lock the screw.

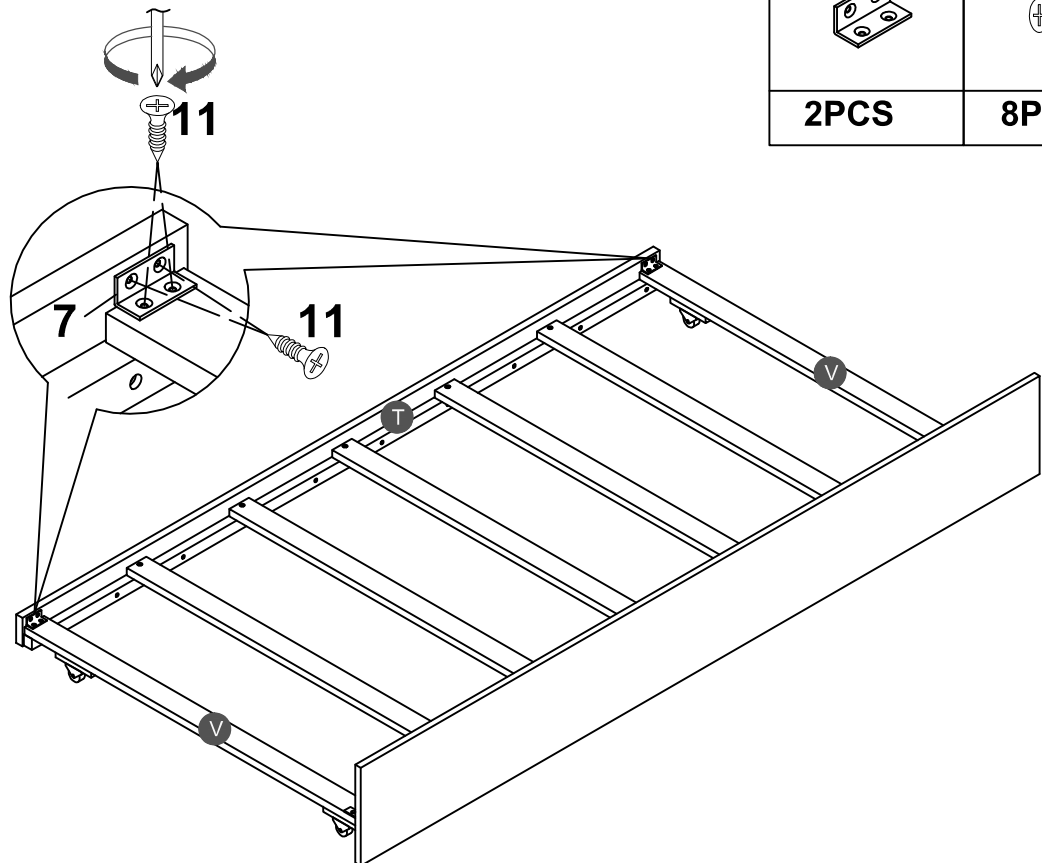
**STEP 11:**

<b>10</b>	<b>11</b>
	
<b>2PCS</b>	<b>8PCS</b>

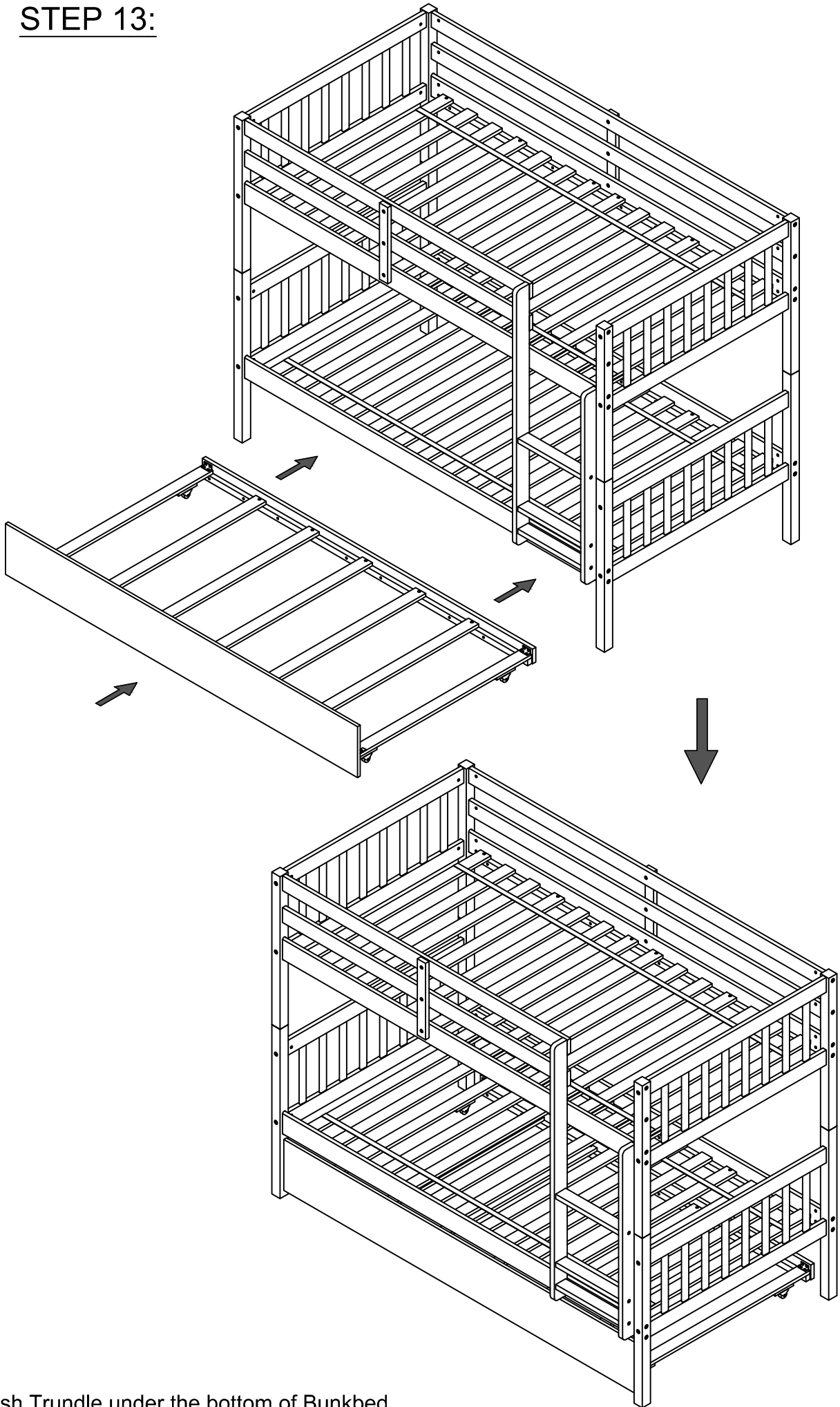


**STEP 12:**

<b>7</b>	<b>11</b>
	
<b>2PCS</b>	<b>8PCS</b>



**STEP 13:**



Push Trundle under the bottom of Bunkbed.