



# ASSEMBLY INSTRUCTIONS

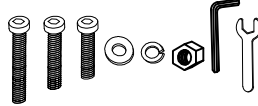



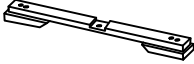

Caution: Please read instructions thoroughly before unpacking assembly parts. Sharp, exposed staples tips can cause injury, therefore, for your protection, please remove any exposed staples used in packing. Please keep all hardware parts out of the reach of children.

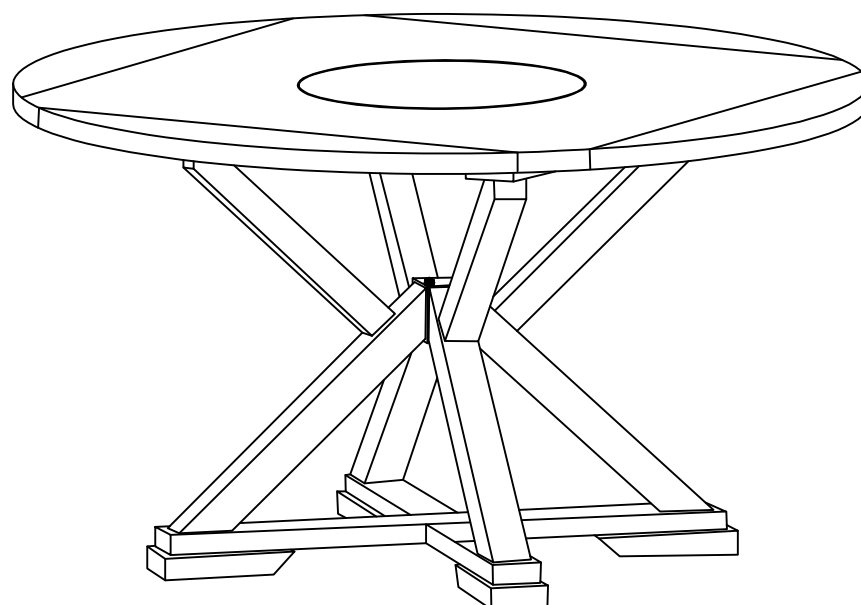
1. We recommend that you should assemble this product with the assistance of another person; this will make the assembly easier, and will help to eliminate damage to the product or injury to person during assembly.
2. Be sure to check all packing materials carefully for small parts that may have come loose inside the carton during shipment.
3. Please do not over tighten screws or bolts.
4. Please put all parts on a non-abrasive floor before assembly, and follow the assembly steps to assembly your newly purchased product correctly and efficiently.

## TOP COMPONENTS

FIGURE	DESCRIPTION	Q'TY
	Table Top	1 Pc
	Lazy Suzan	1 Pc








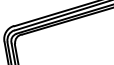
## BASE COMPONENTS

FIGURE	DESCRIPTION	Q'TY
	Hardware Bag	1 Pc
	Leg ( Top)	4 Pcs
	Leg Block	1 Pc
	Leg (Bottom)	4 Pcs
	Flat Leg 1	1 Pc
	Flat Leg 2	1 Pc



# ASSEMBLY INSTRUCTIONS

## HARDWARE PARTS:

(A)	(B)	(C)	(D)	(E)	(F)	(G)	(H)
							
JCBC 95 mm 4 pcs	JCBC 80 mm 4 pcs	JCBC 35 mm 5 pcs	Nut 4 pcs	Lock Washer 17 pcs	Flat Washer 17 pcs	Wrench 1 pc	Allen Key 1 pc

NOTE: THE UNIT SHOULD BE ASSEMBLED BY 2 OR MORE PEOPLE.

## ASSEMBLY

- 1) Attached the Bottom Legs to the Leg Block using the provided hardware as shown on Fig.1.
- 2) Attached Flat Leg 1 and Flat Leg 2 to each other using the provided hardware as shown on Fig.2.
- 3) Attached the Flat Leg assembly to the Bottom Leg assembly using the provided hardware as shown on Fig. 3.
- 4) Attached the Top Legs to Bottom Legs using the provided hardware as shown on Fig. 4.
- 5) Attached Table Top to the fully assemble base using the provided hardware as shown on Fig. 5.
- 6) Insert Lazy Suzan into the Table Top as shown on Fig.5.
- 7) Assembly is now complete.

