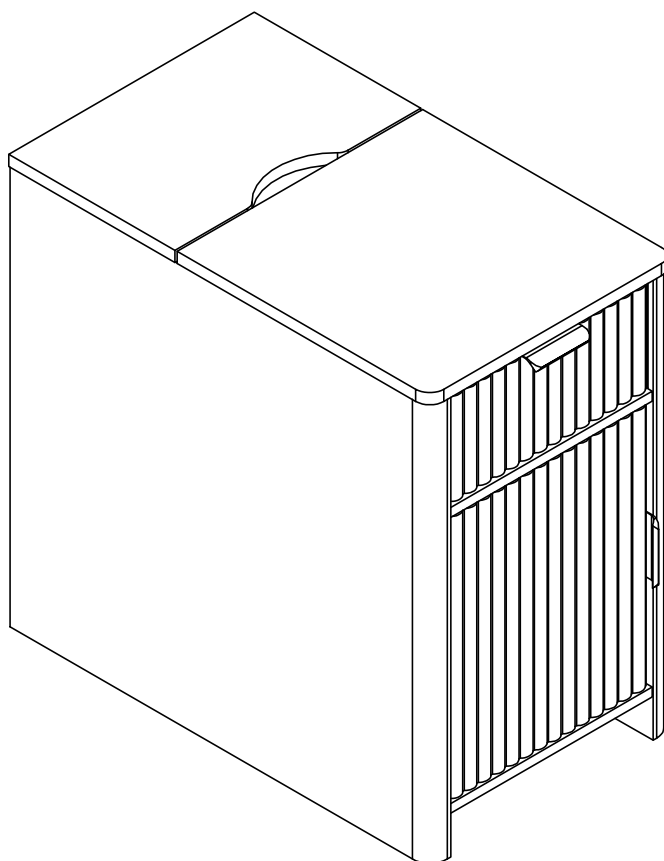


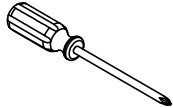
Installation Instruction



Assembling

What you need

- Use the packaging carton as a working surface to prevent product damage during assembly
- Phillips head screwdriver



Weight Limitation

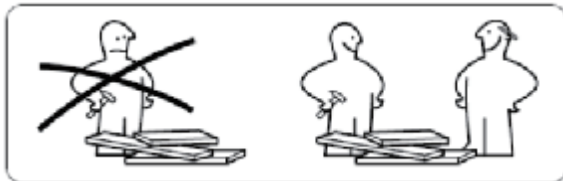


100

lbs table top

| 35

lbs per

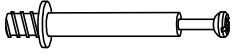


What' included

Code	Description	Qty
A	Cam Bolt M6X35MM	28
B	Cam Lock 15X9MM	28
C	Wooden Dowel M6X30MM	18
D	Screw M4X40MM	8
E	Hinge	2
F	Metal shake handhandle	2
G	Foot nail	6
H	Screw M3.5X14MM	16
I	Cam Bolt M4X10MM	2
J	Ron absorption	1
K	Metal handle	1
L	Extension cord	1
M	Hole position sticker	28
N	The bolt	2
O	Screw M3.0X12MM	8
P	Two-way rail	2

The Hardwares

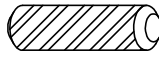
(A)



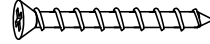
(B)



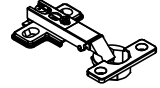
(C)



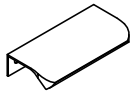
(D)



(E)



(F)



(G)



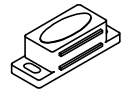
(H)



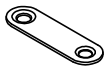
(I)



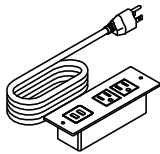
(J)



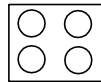
(K)



(L)



(M)



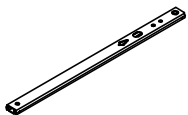
(N)



(O)



(P)



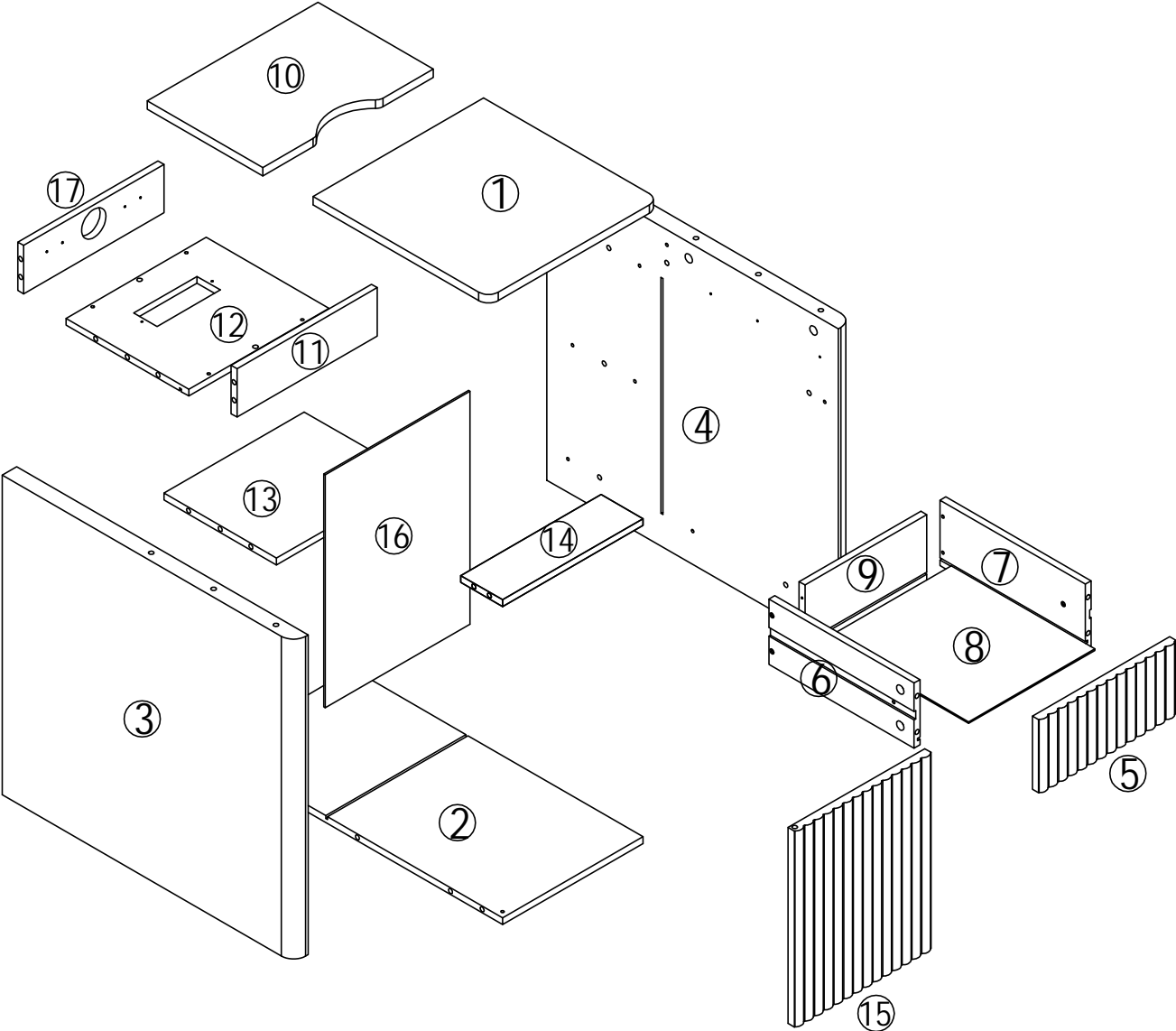
IMPORTANT:

1. Do not tighten bolts / screws completely until all bolts / screws are lined up and inserted into holes.
2. Do not over tighten screws and bolts to avoid stripping
3. Please use hand tools to assemble this product, you can also use power tools (please use power tools carefully)

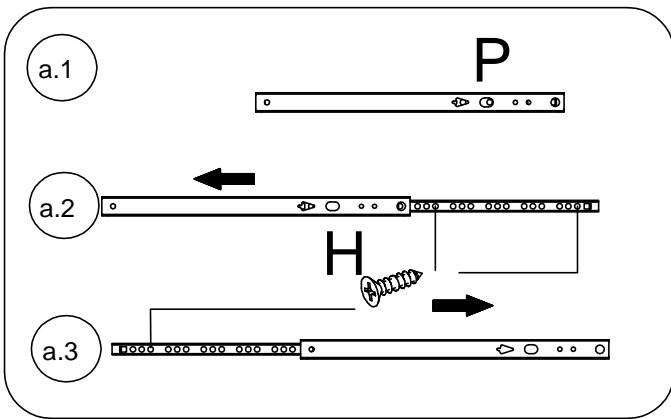
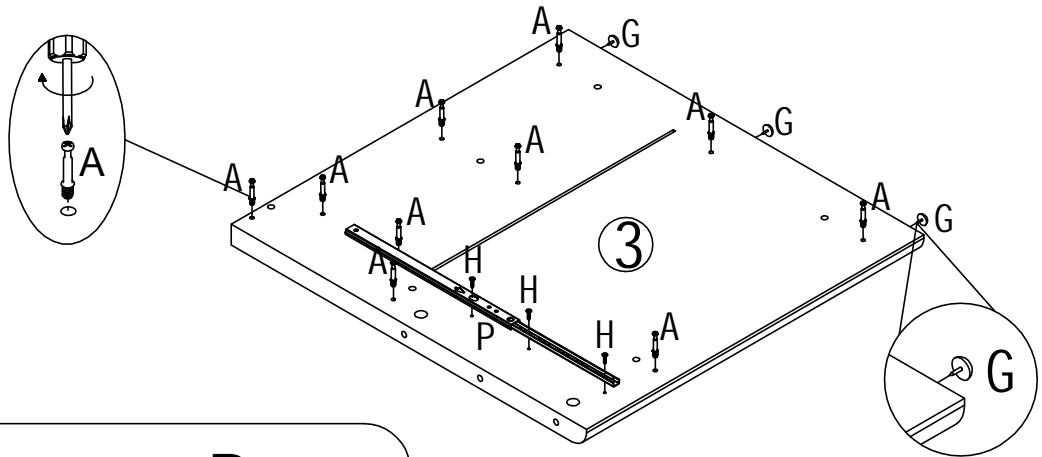
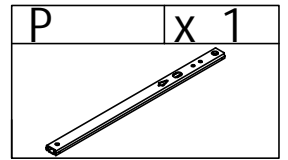
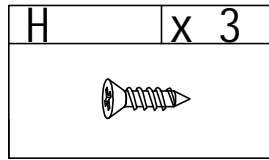
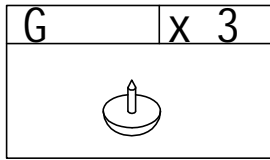
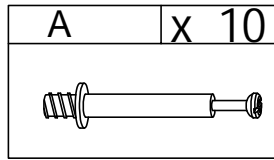
Included Accessories

Code	Description	Qty
1	Cabinet Top	1
2	Bottom Panel	1
3	Left Side Panel	1
4	Right Side Panel	1
5	Drawer panel	1
6	Drawer left panel	1
7	Drawer right side panel	1
8	The drawer bottom	1
9	After the drawer board	1
10	Metal Door	1
11	Back brace	1
12	Upper plate	1
13	Lower Plate	1
14	Front brace	1
15	Door leaf	1
16	Backboard	1
17	Rear pull bar	1

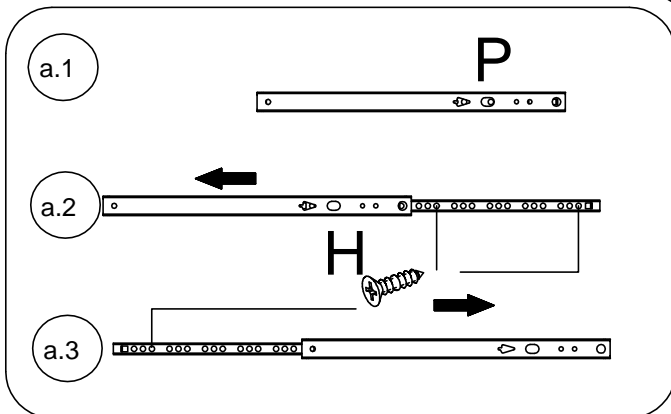
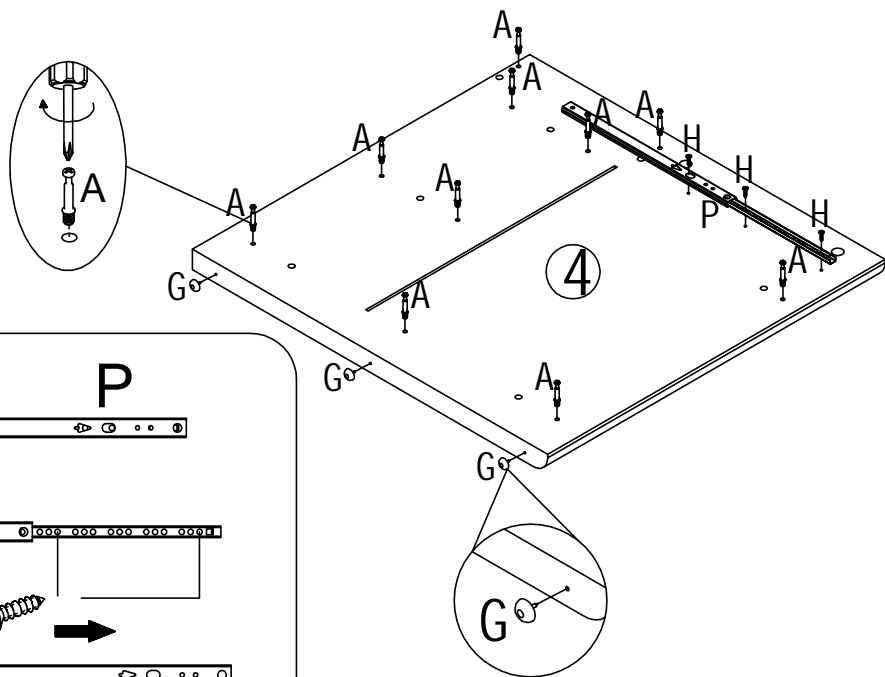
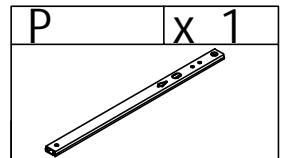
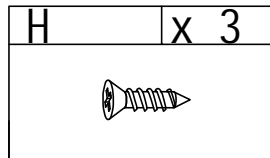
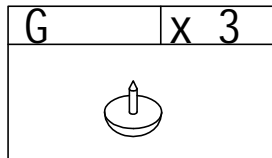
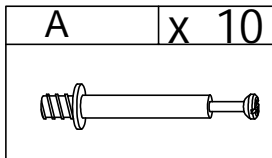
The Accessoriess



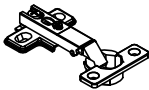

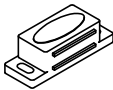

Step 1

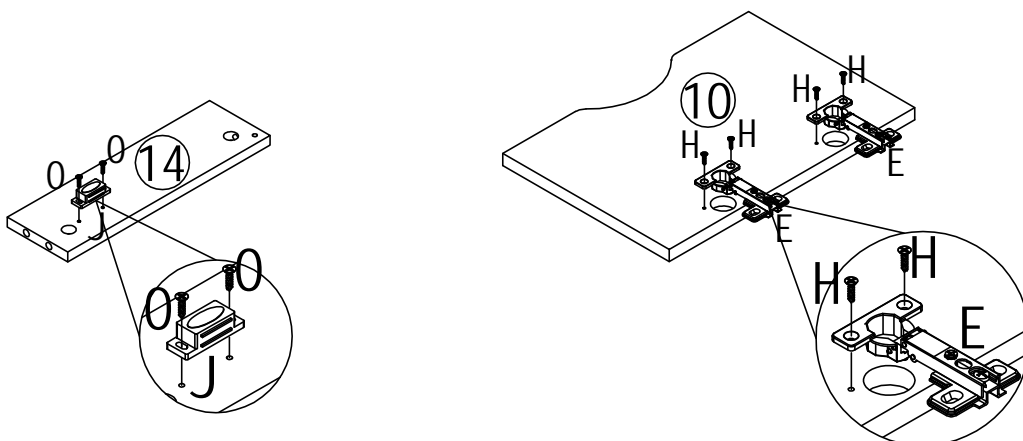


Step 2



Step 3

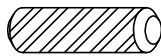
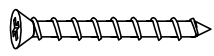
E	x 2	H	x 6	J	x 1	O	x 2
							

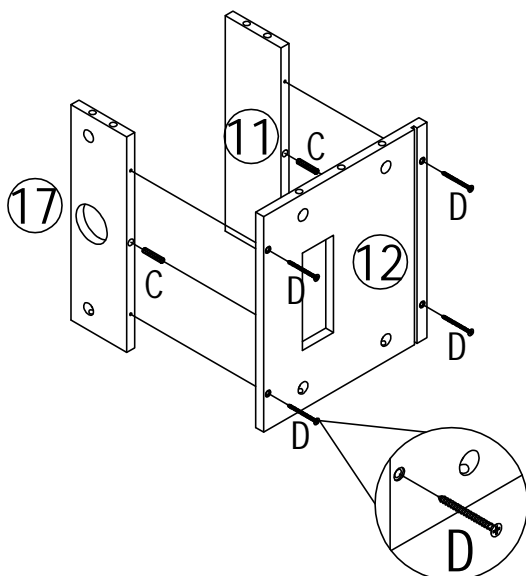


Step 4

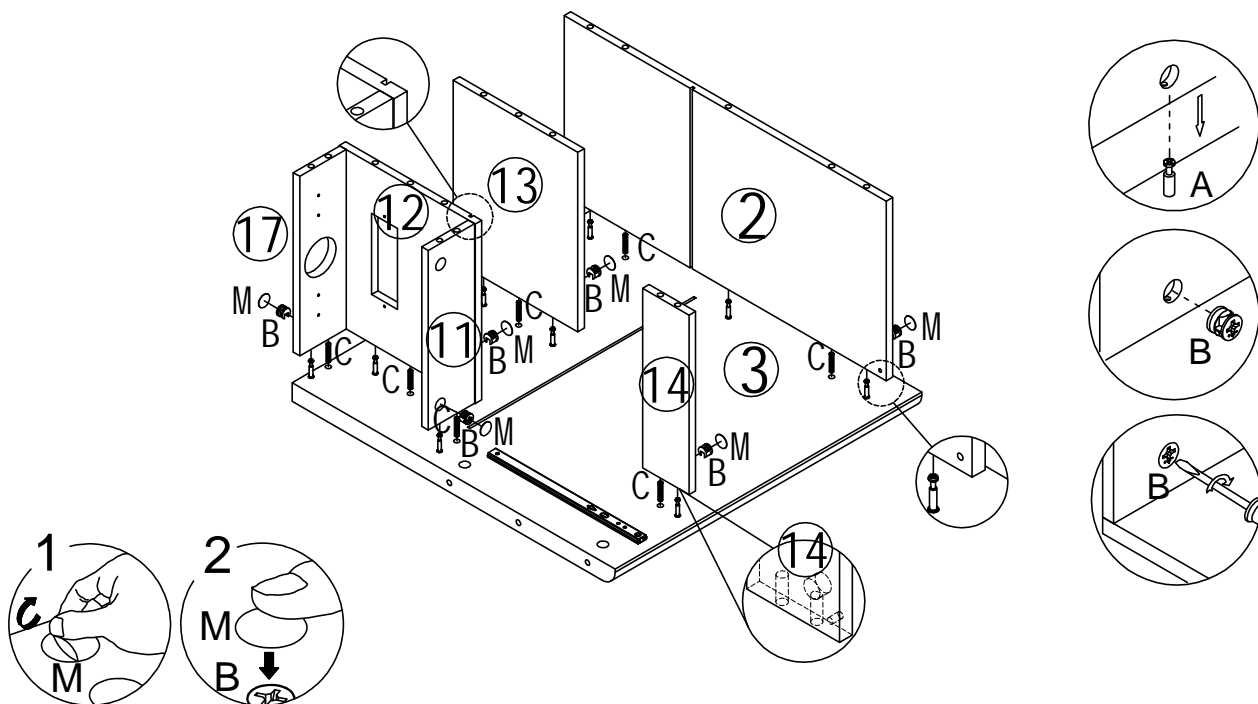
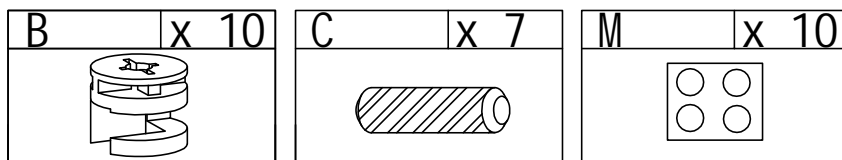


Panel 11 has the pilot hole side facing inward

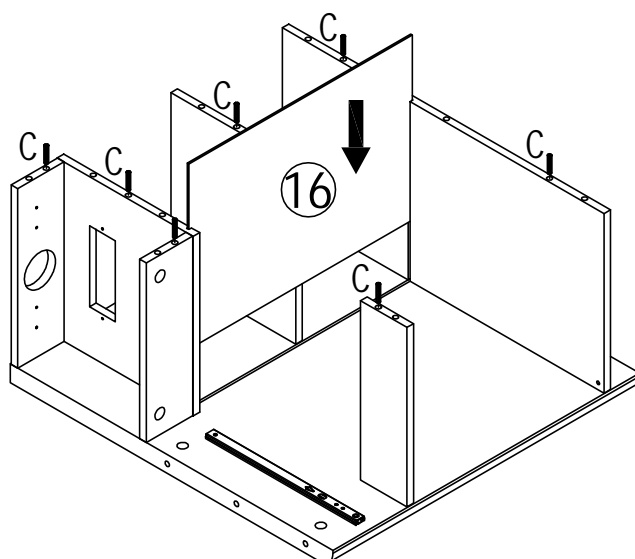
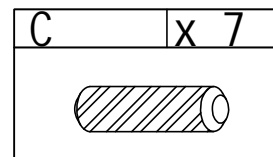
C	x 2	D	x 4
			




Step 5

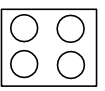


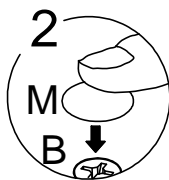
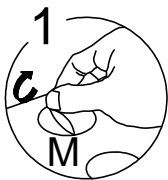
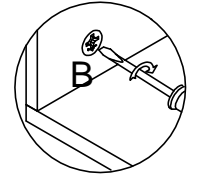
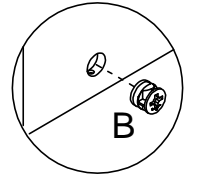
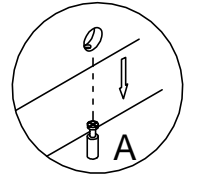
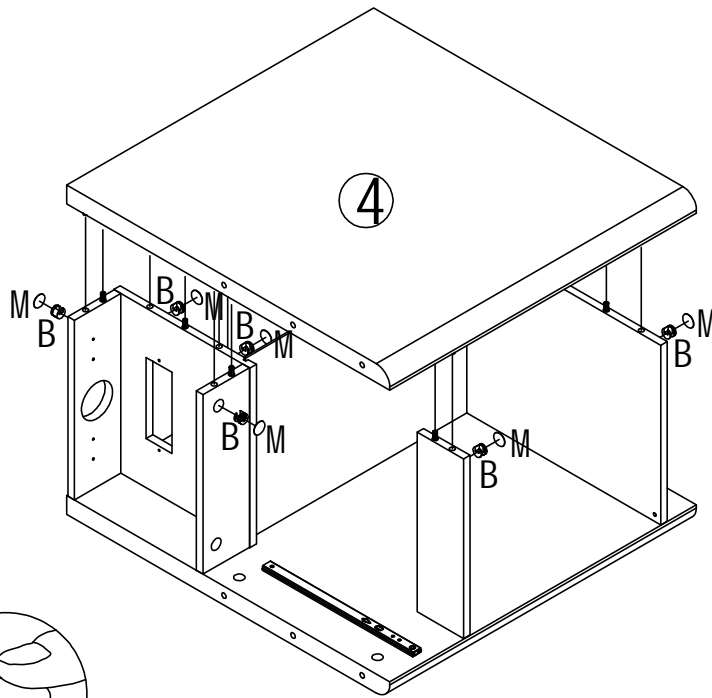
Step 6



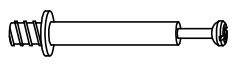
Step 7

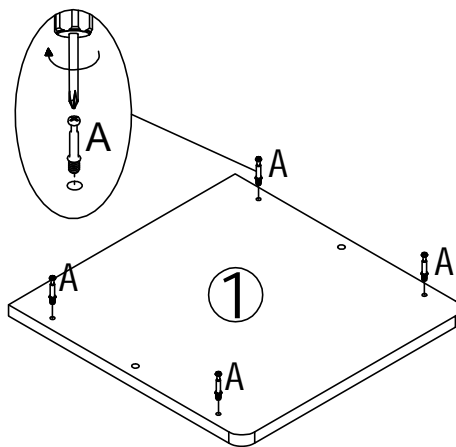
B	x 10
	

M	x 10
	

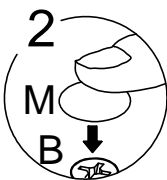
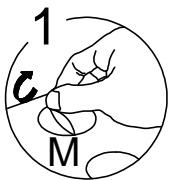
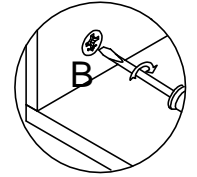
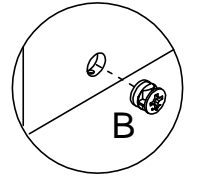
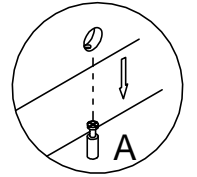
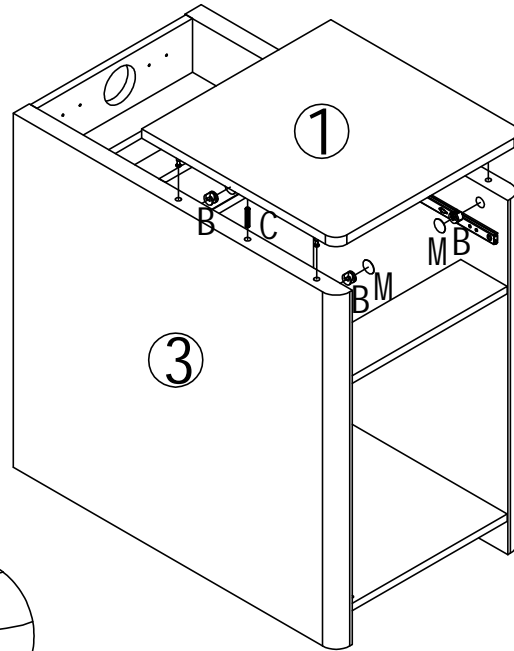
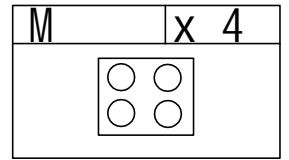
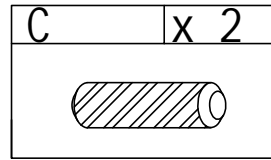
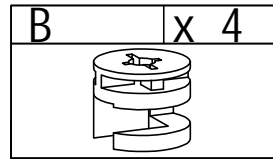


Step 8

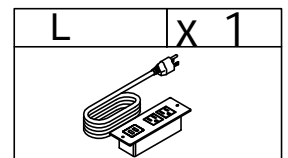
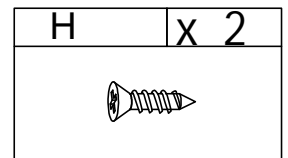
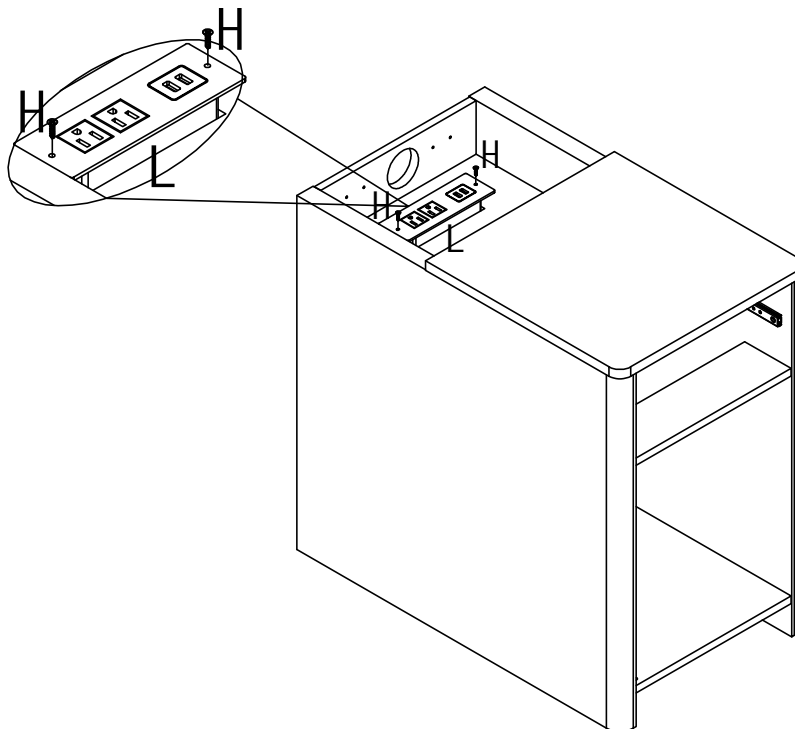
A	x 4
	



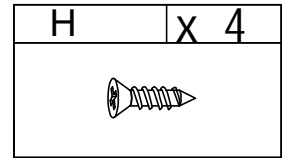
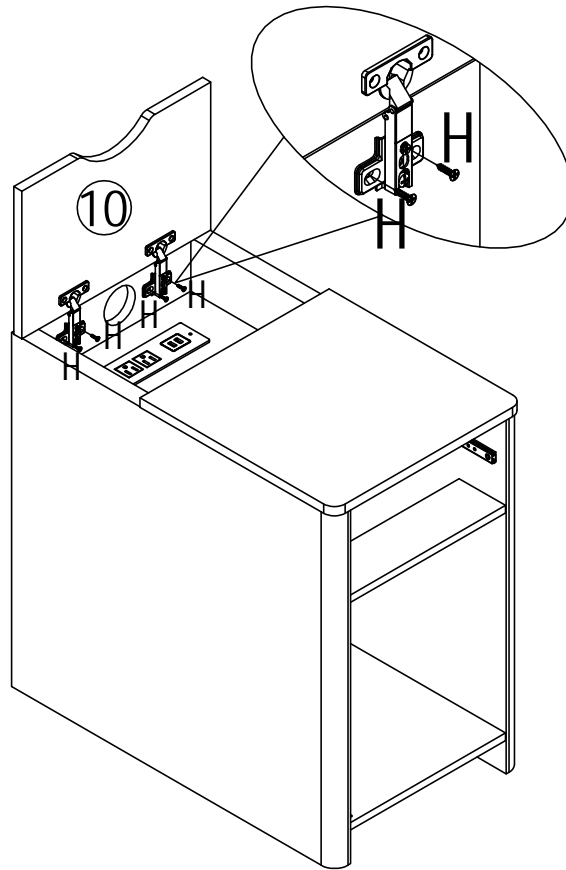
Step 9



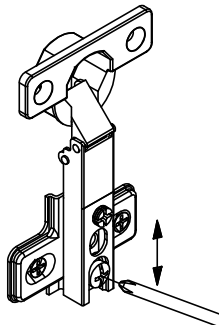
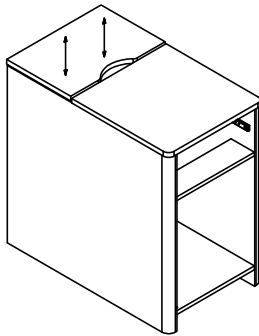
Step 10



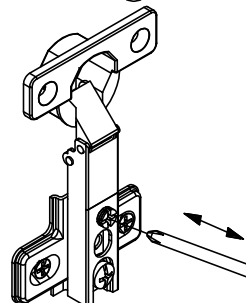
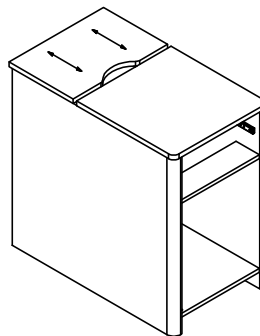
Step 11



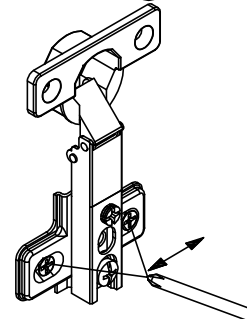
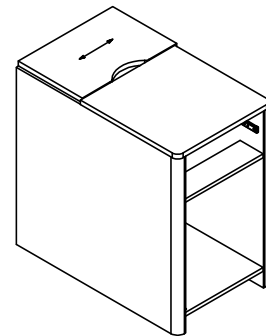
How do I get the two doors to align flat by adjusting the hinges?



1. The screws can be loosened to adjust the uneven problem under the table top.

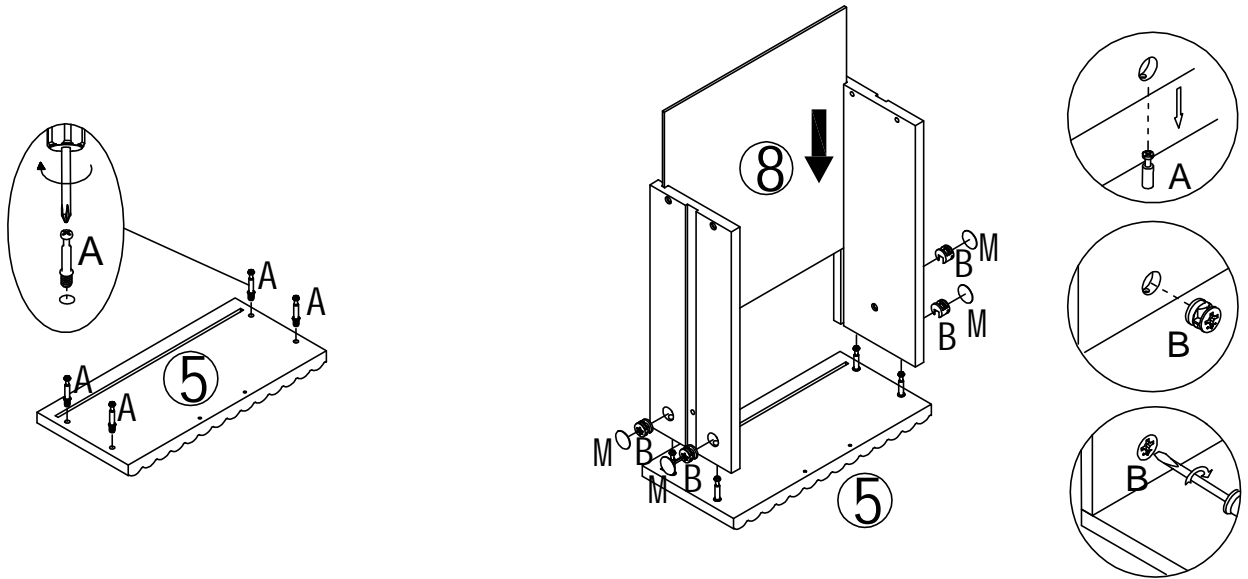
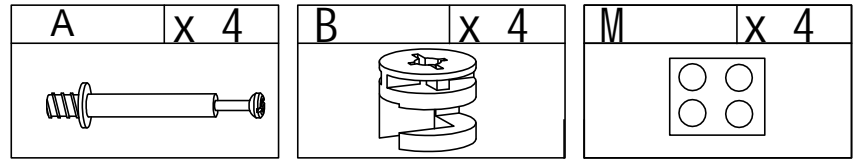


2. Adjust the screws shown in Fig. 2 and pull the door back and forth so that it can be opened smoothly.

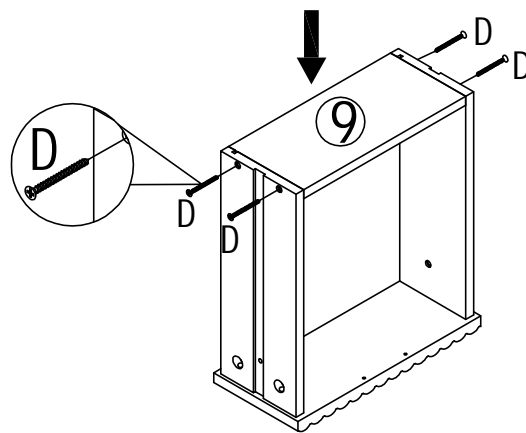
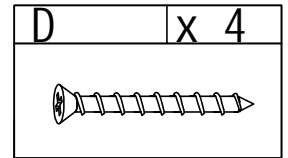
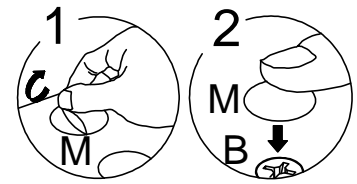


3. Adjust the screws shown in Figure 3 to adjust the door left and right to the right position.

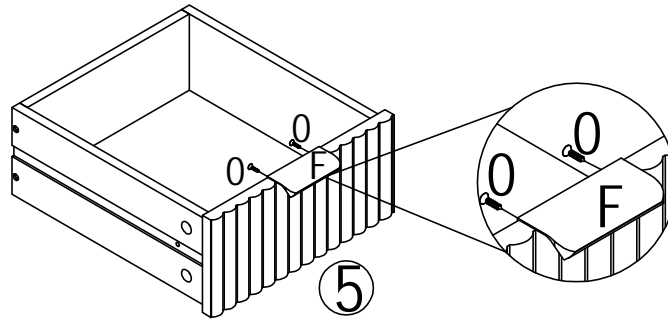
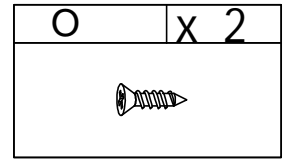
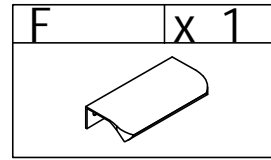
Step 12



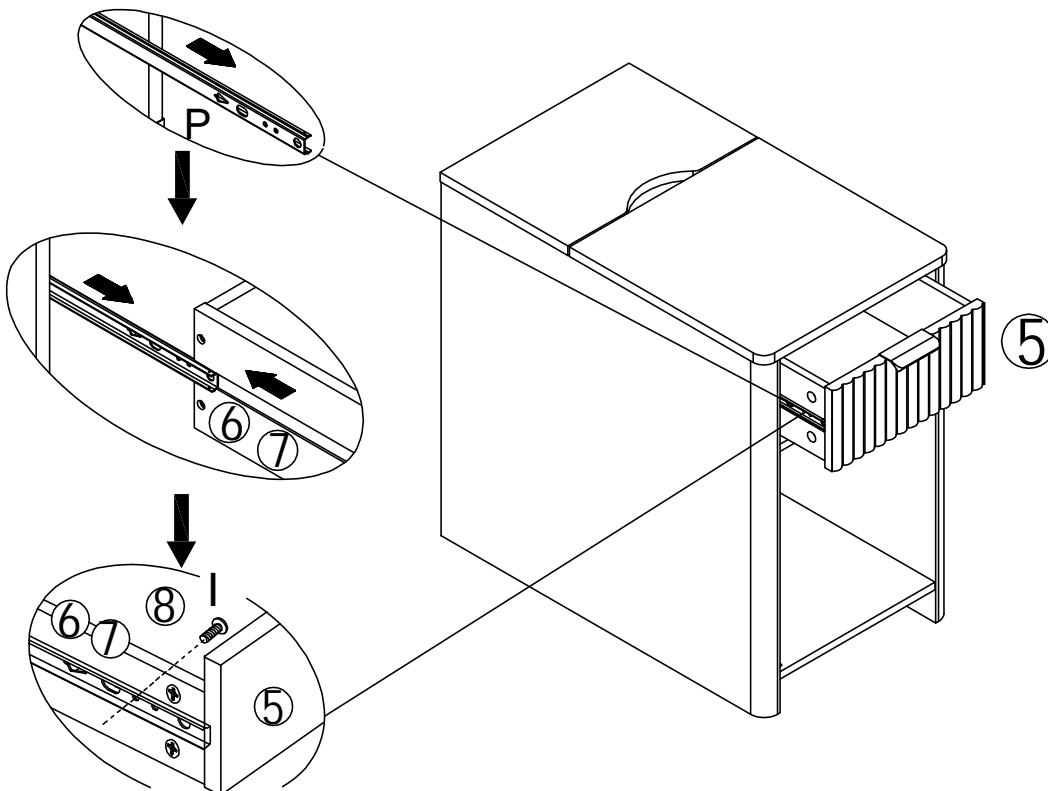
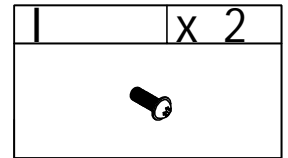
Step 13



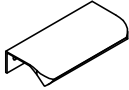


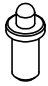
Step 14

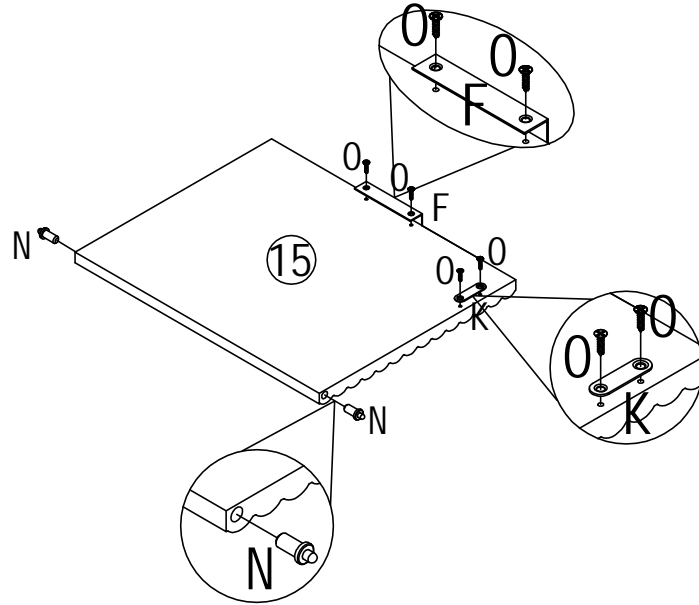


Step 15



Step 16

F	x 1	O	x 4	K	x 1	N	x 2
							



Step 17

