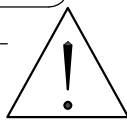
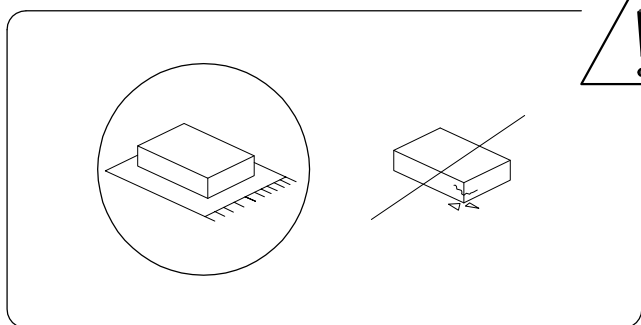
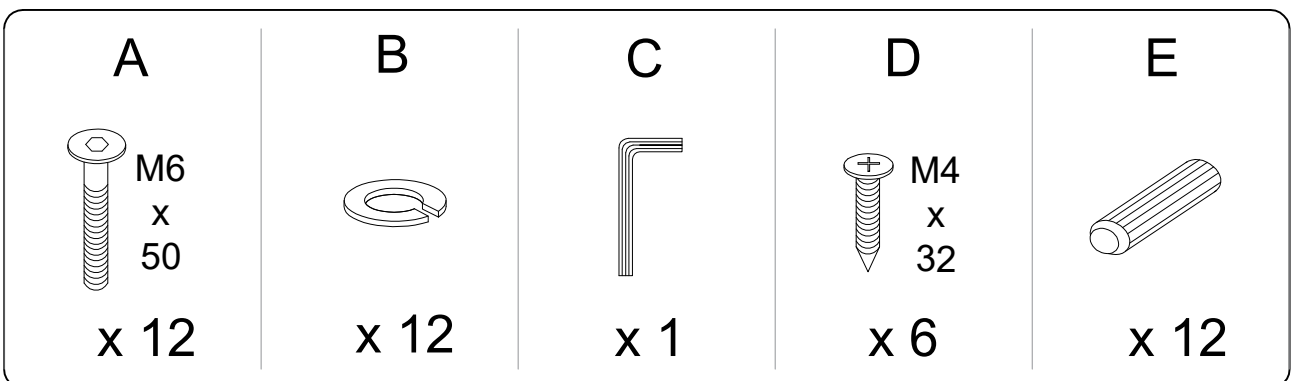
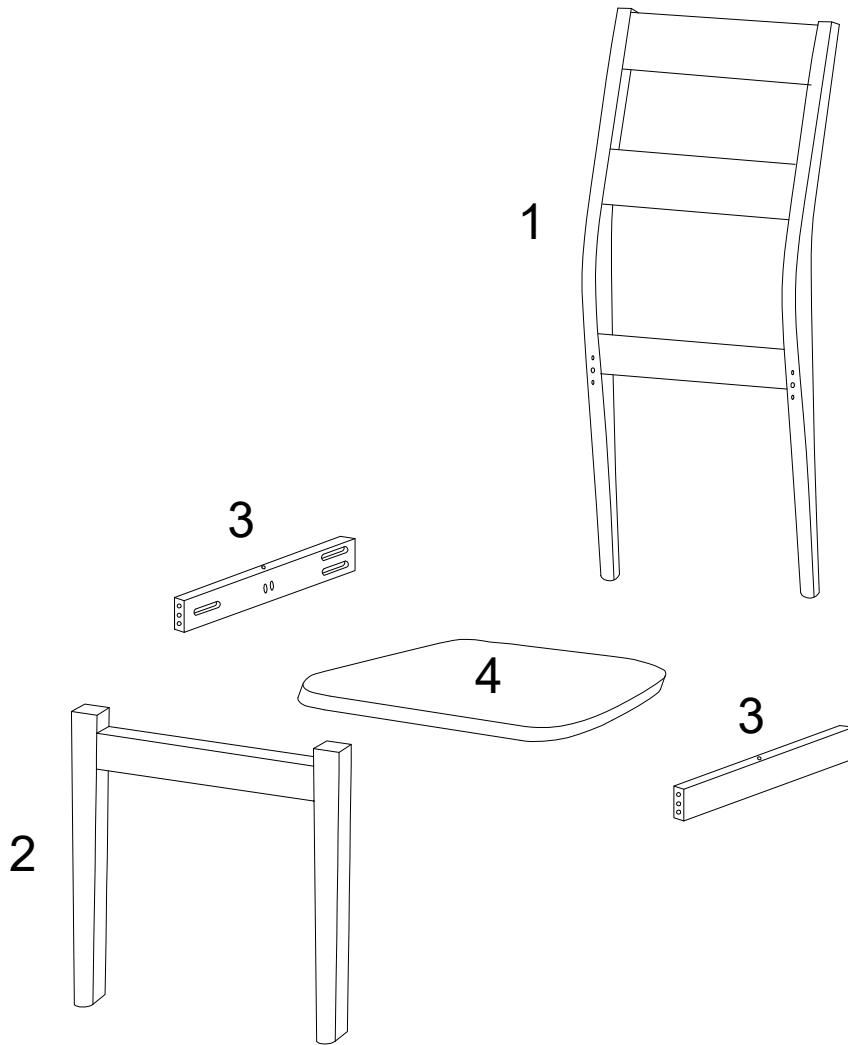
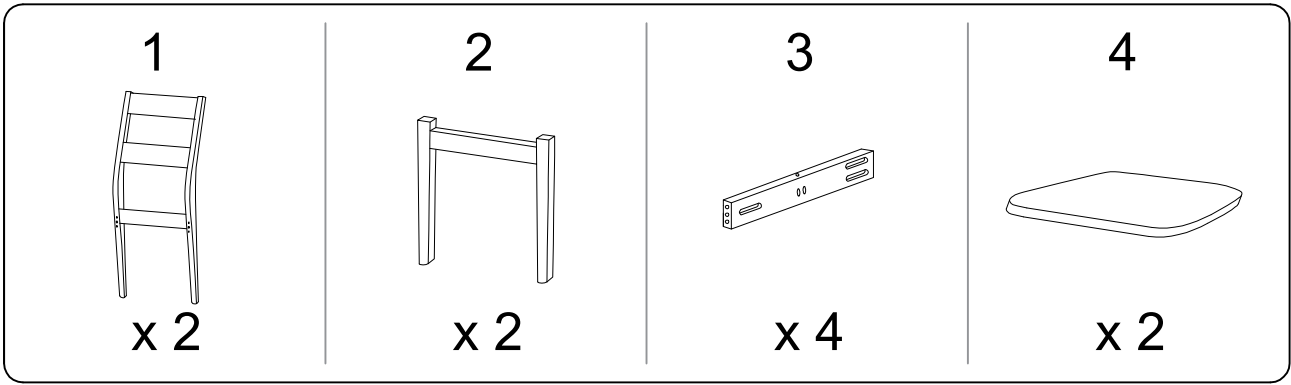


30'

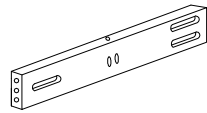


1



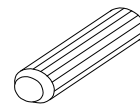
1

3



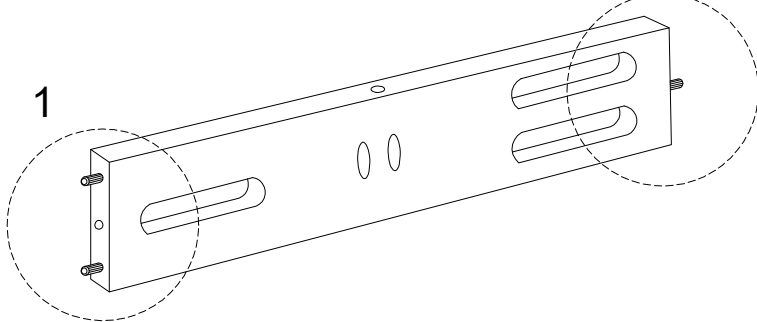
x 2

E



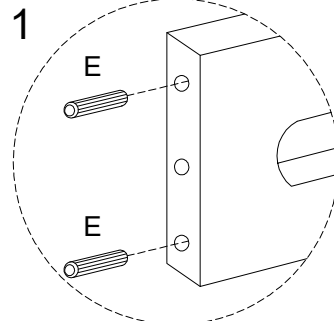
x 6

1

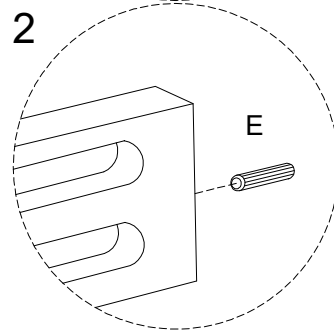


2

1



2



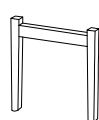
2

1



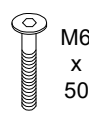
x 1

2



x 1

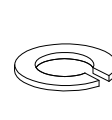
A



M6
x
50

x 6

B

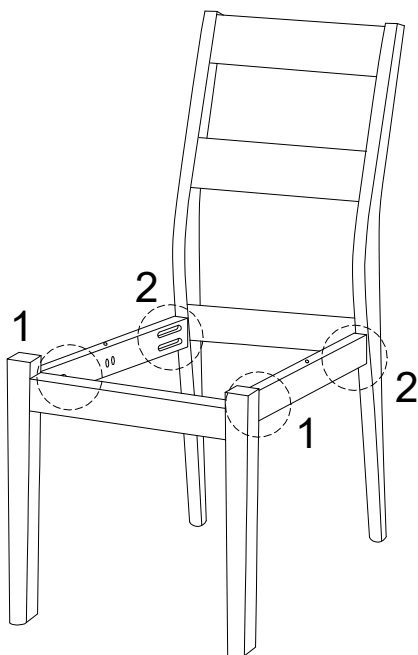


x 6

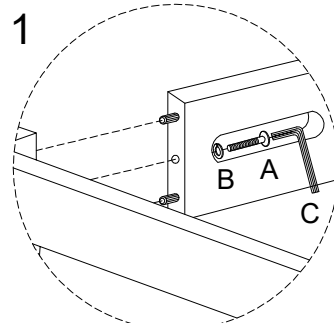
C



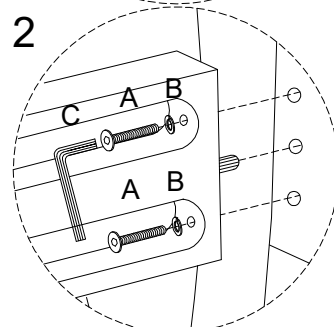
x 1



1



2



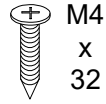
3

4



x 1

D



x 3

