

*ASSEMBLY INSTRUCTIONS*



# ASSEMBLY INSTRUCTIONS

## ASSEMBLY TIPS:

1. Remove hardware from box and sort by size.
2. Please check to see that all hardware and parts are present prior to start of assembly.
3. Please follow attached instructions in the same sequence as numbered to assure fast & easy assembly.

## WARNING!



1. Don't attempt to repair or modify parts that are broken or defective. Please contact the store immediately.
2. This product is for home use only and not intended for commercial establishments.

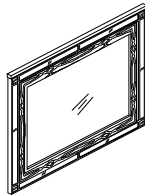


ASSEMBLY TIME

5 MINUTES

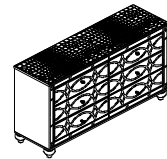
## PARTS IDENTIFICATION

A MIRROR



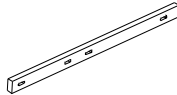
1PC

B DRESSER  
FROM BOX  
ITEM #223213



1PC

C MIRROR SUPPORT  
(PACKED WITH  
DRESSER)



2PCS

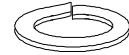
## HARDWARE IDENTIFICATION

1 BOLT  
( $\Phi$ 1/4" x 40mm - RBW)



6PCS

2 LOCK  
WASHER  
( $\Phi$ 1/4" - RBW)



6PCS

3 FLAT WASHER  
( $\Phi$ 1/4" - RBW)



6PCS

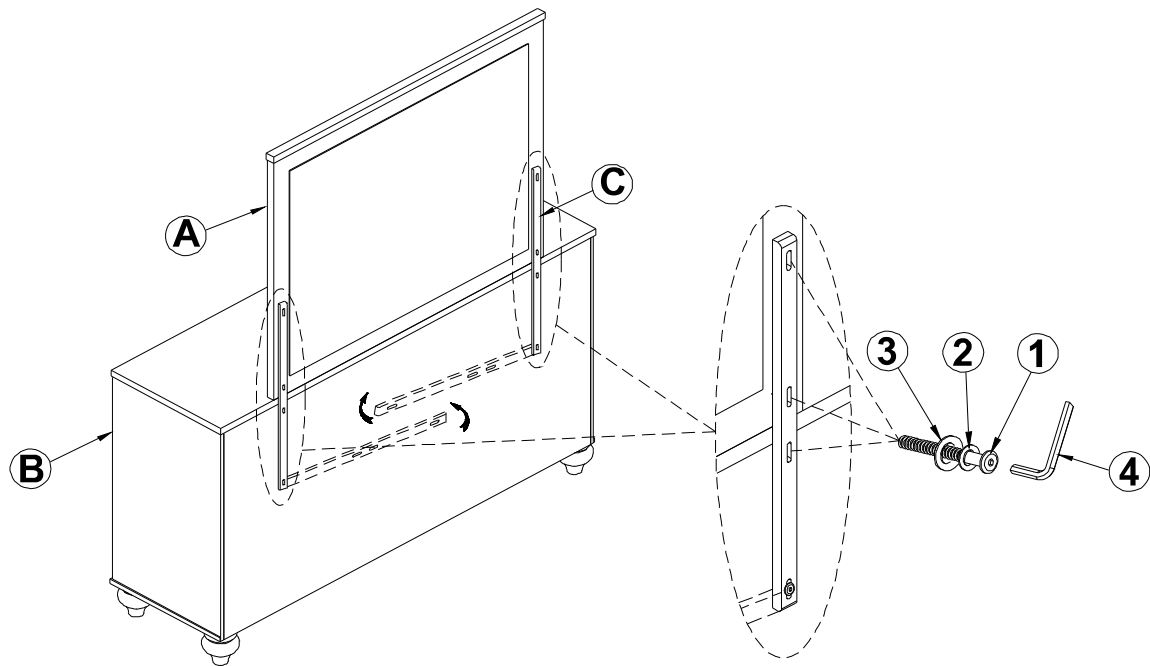
4 ALLEN  
WRENCH  
(4MM - RBW)



1PC

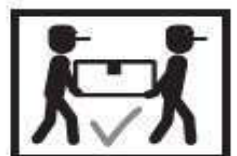
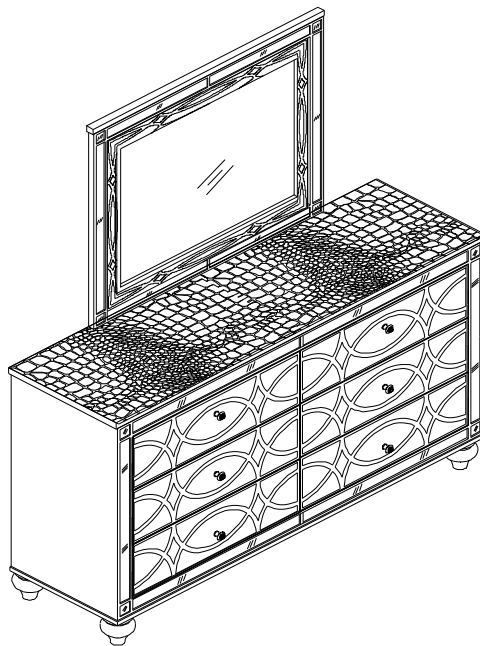
# ASSEMBLY INSTRUCTIONS

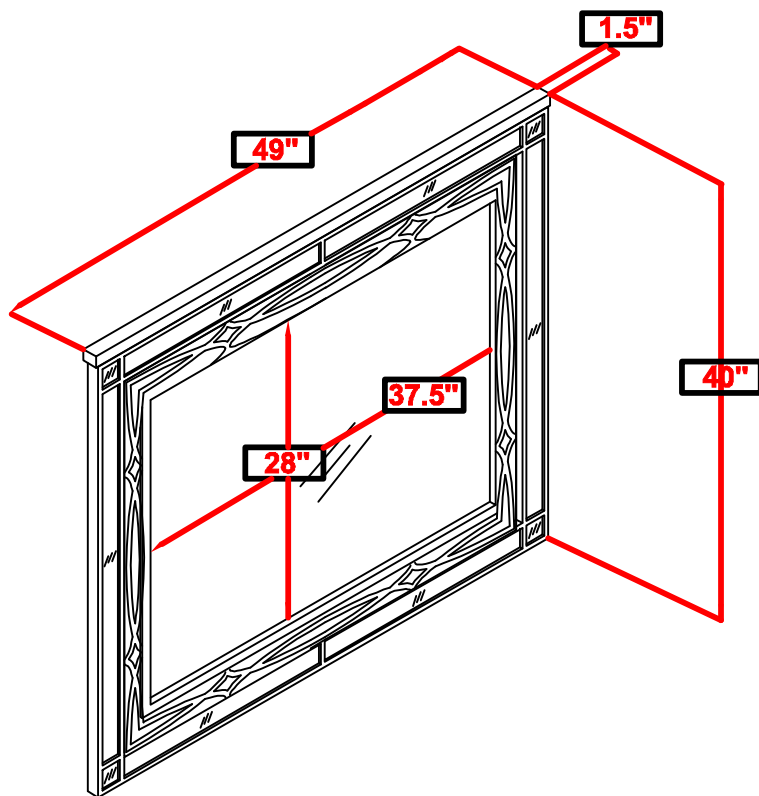
## STEP 1



## STEP 2

### COMPLETE





**Note** : Dimension tolerance  $\pm 5\%$