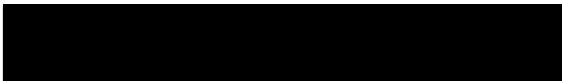
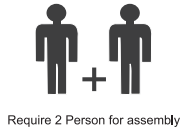
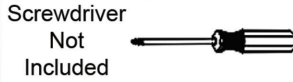
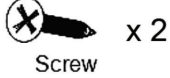


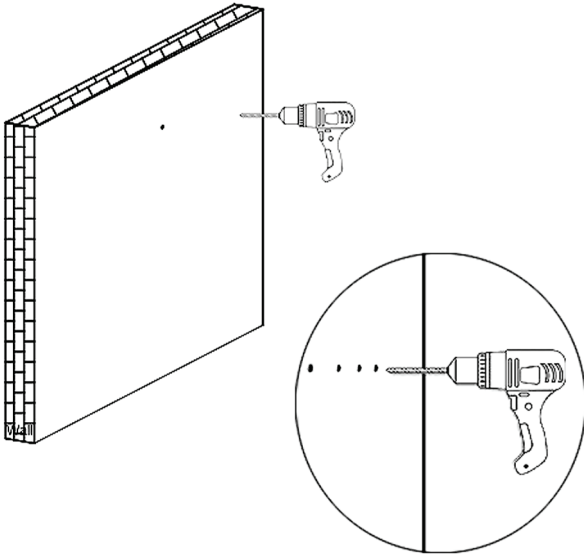
Installation Instructions



Required Tools :

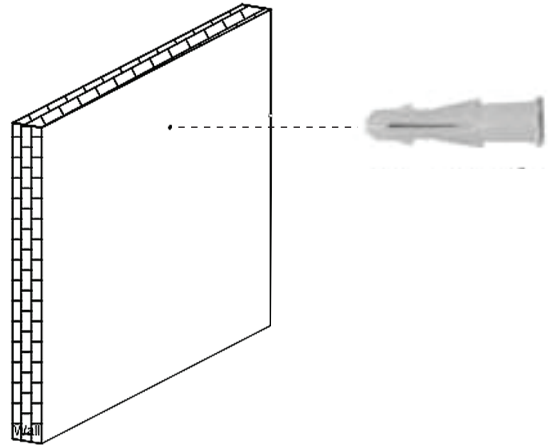


Step 1

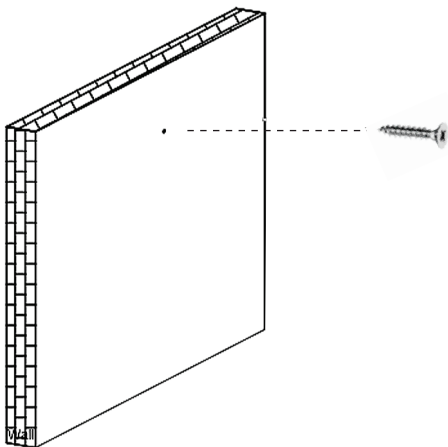


Drill holes the same diameter as the Screw Dowels

Step 2



Step 3



Step 4

