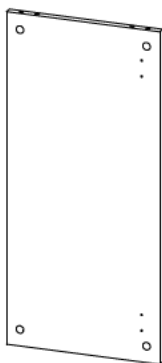


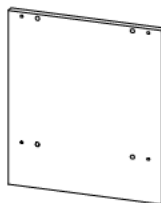
Ax1



Bx2



Cx1



Dx2



Ex1



Fx2



Gx1



Hx1



Ix8



Jx8



Kx8



Lx2



Mx2



Nx16



Ox2



M3.5x $\frac{12}{0.5}$

Px9



M3.5x $\frac{15}{0.6}$

Qx12



M3.5x $\frac{30}{1.2}$

Rx4



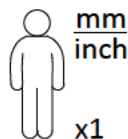
Sx1



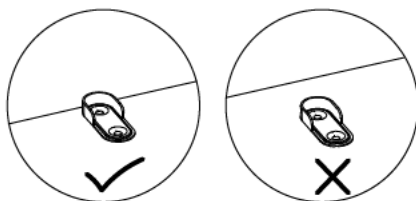
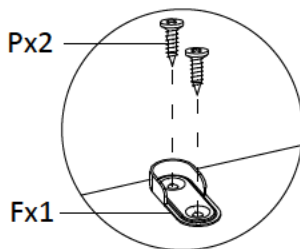
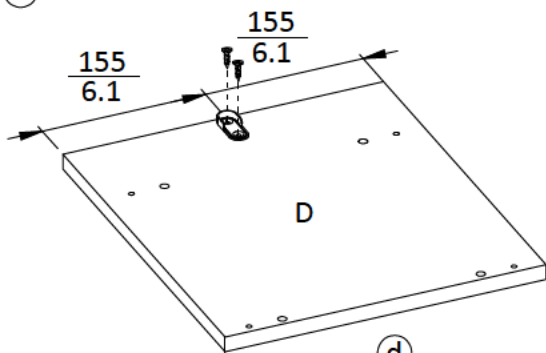
Tx1



Ux2



①)x2



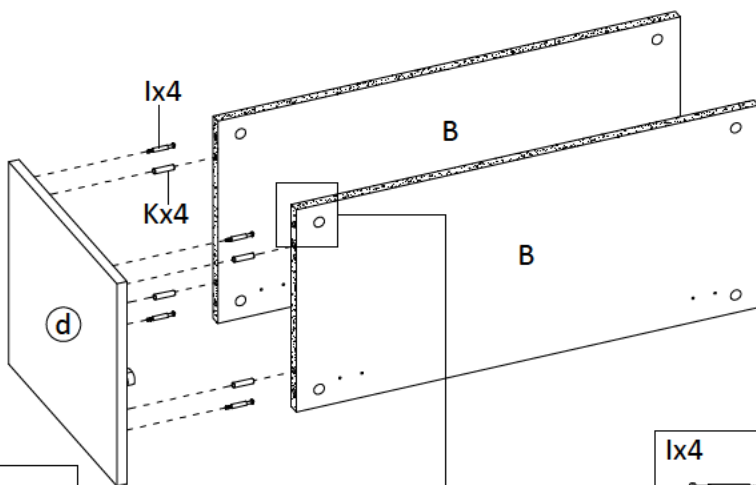
Fx2



Px4  
M3.5x $\frac{12}{0.5}$



②

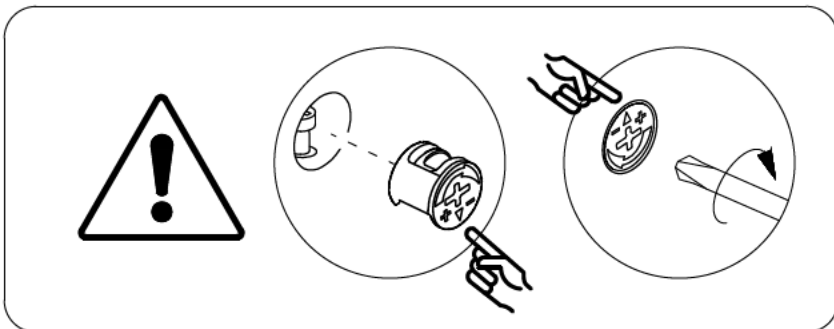


Ix4

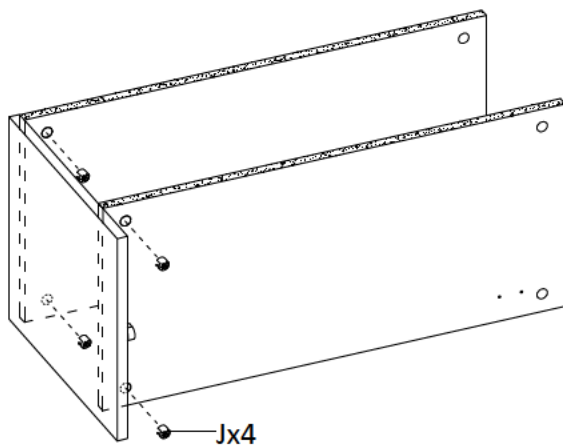


Kx4





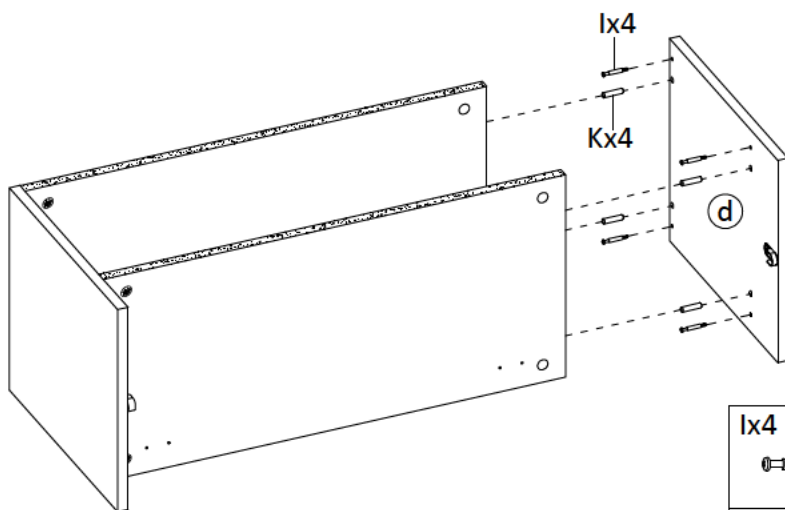
3



Jx4



4



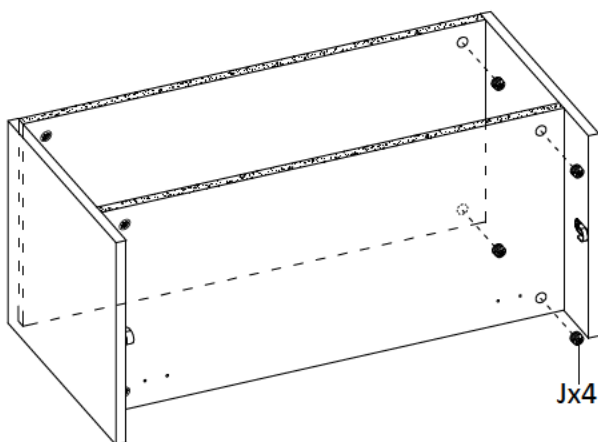
Ix4



Kx4



5

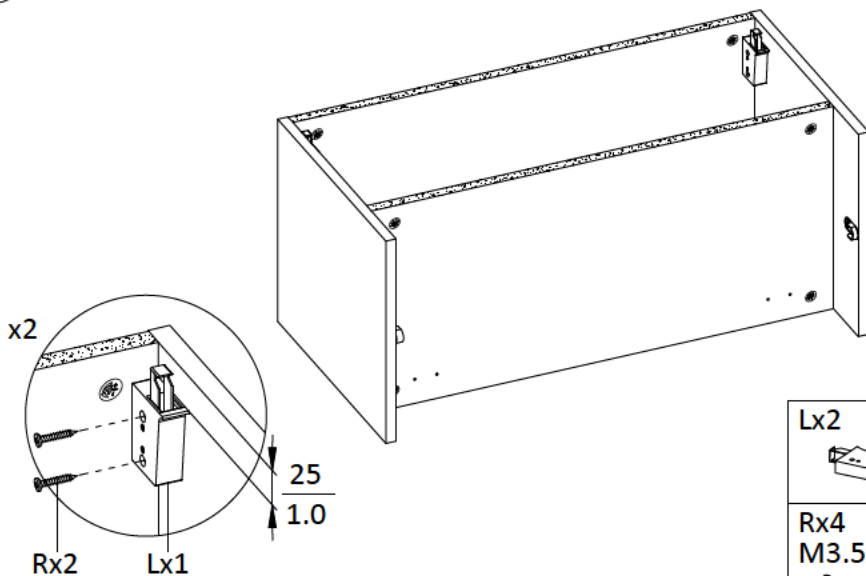


Jx4

Jx4



6



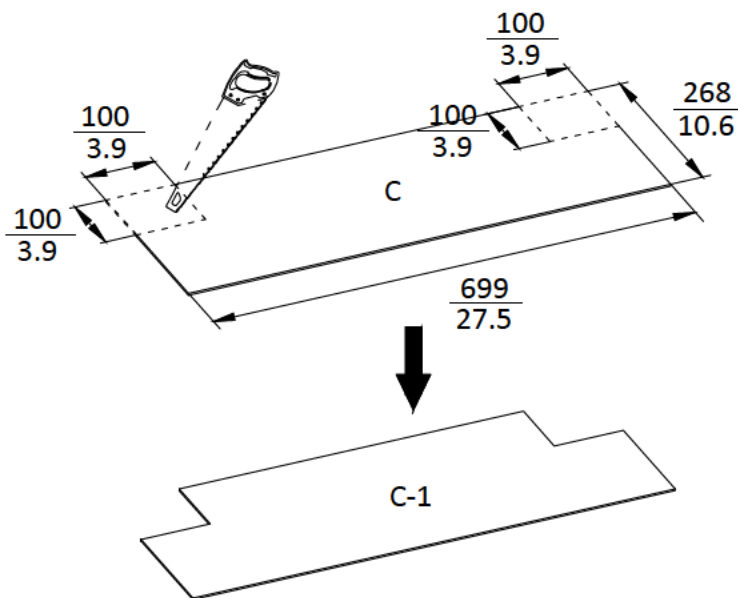
Lx2



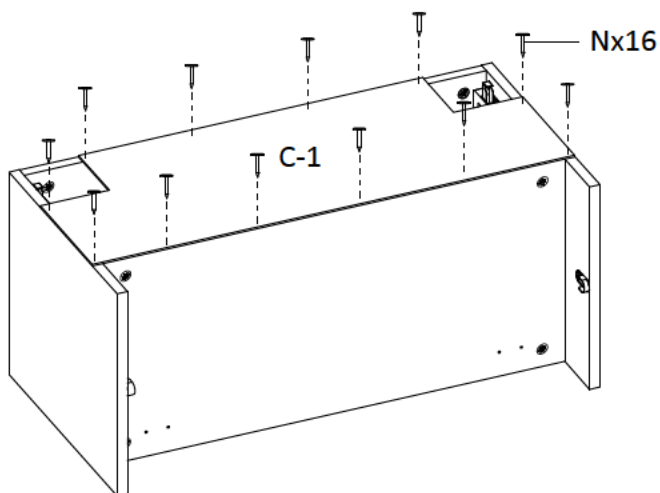
Rx4  
M3.5x $\frac{30}{1.2}$



7

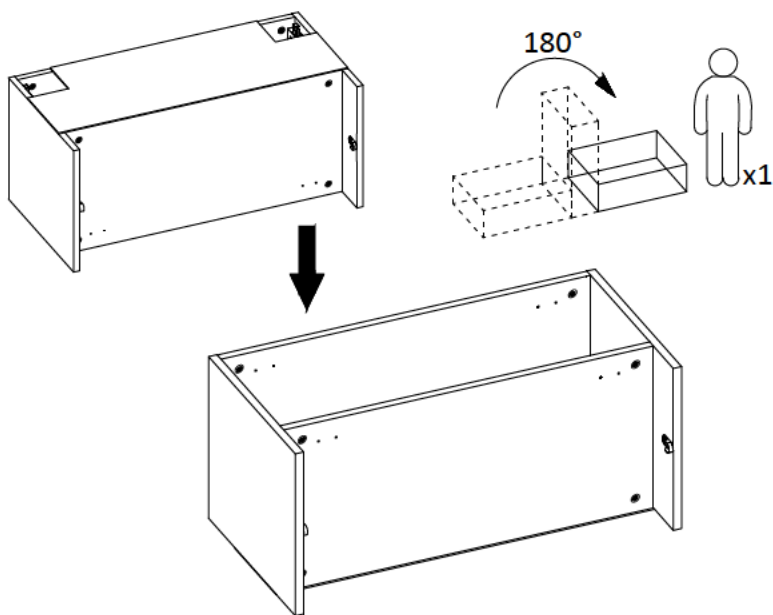


8

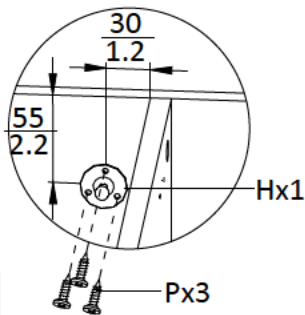
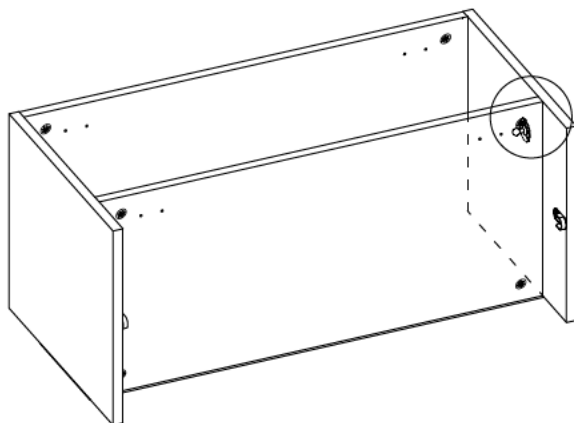


Nx16  
→

9



10



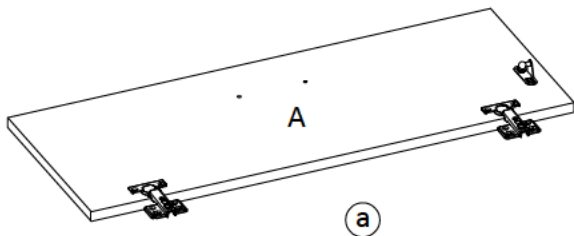
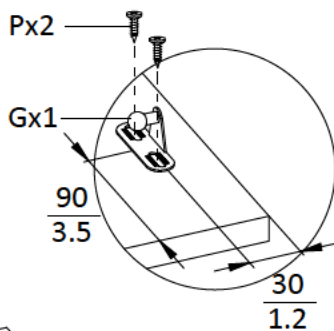
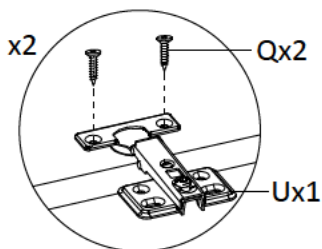
Hx1



Px3  
M3.5x $\frac{12}{0.5}$



11



Px2  
M3.5x $\frac{12}{0.5}$



Ux2



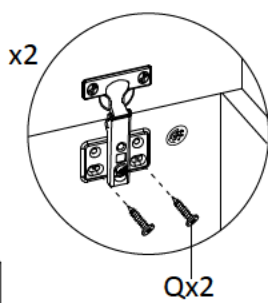
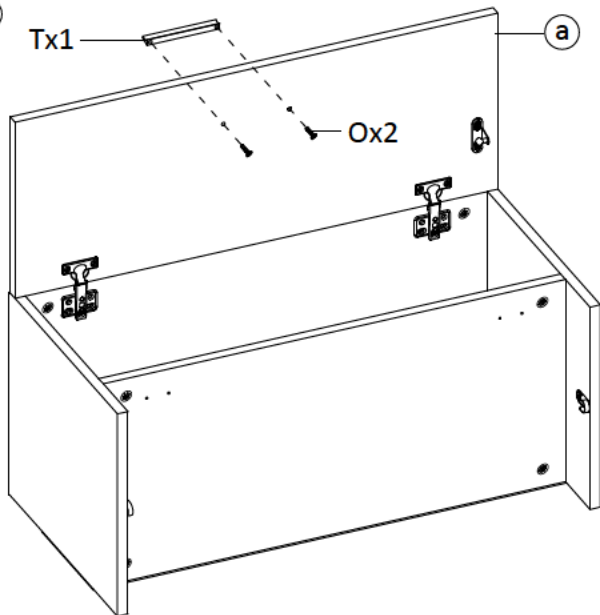
Qx4  
M3.5x $\frac{15}{0.6}$



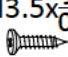


Gx1

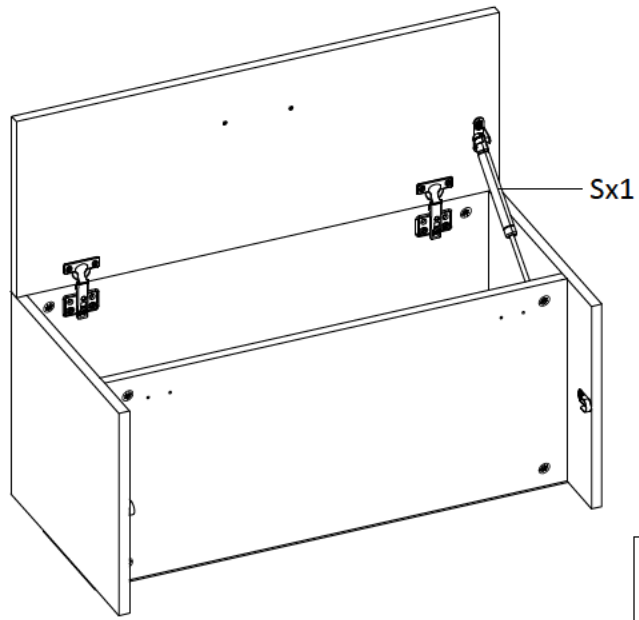



12



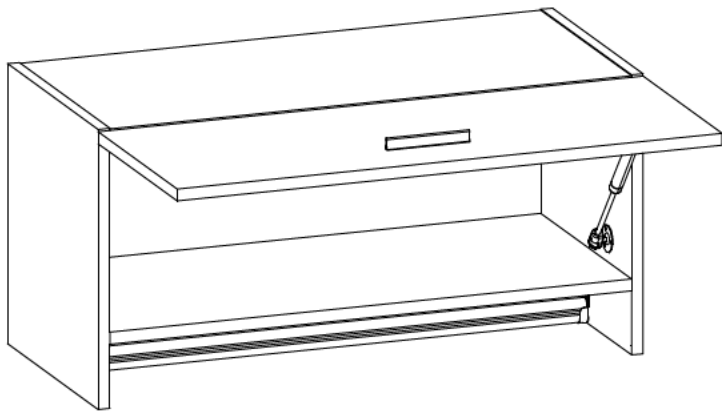
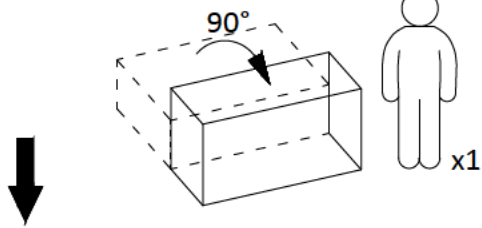
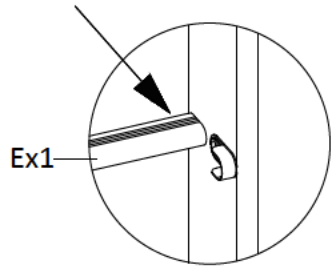
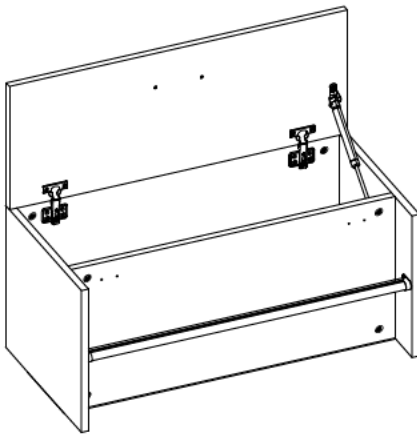
	Ox2
	
Tx1	Qx4
	M3.5x $\frac{15}{0.6}$
	

13



Sx1


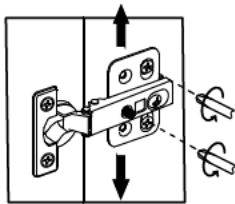
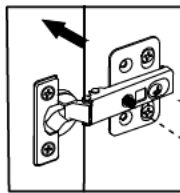
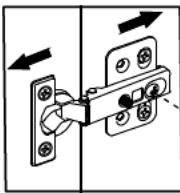
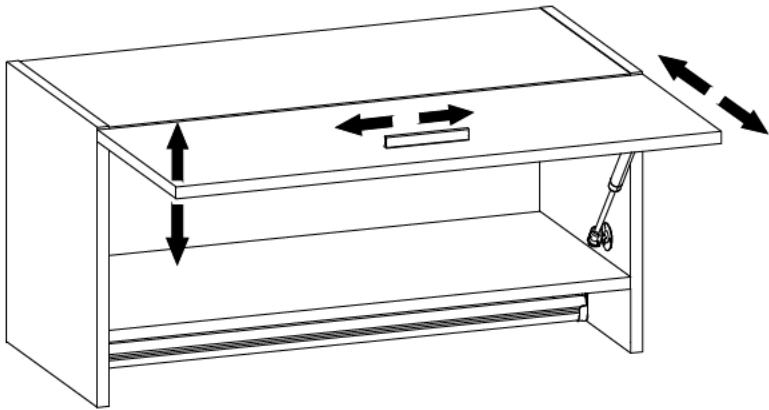
14



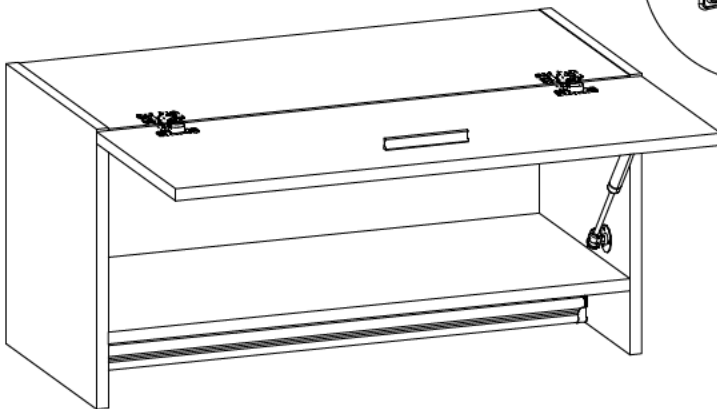
Ex1



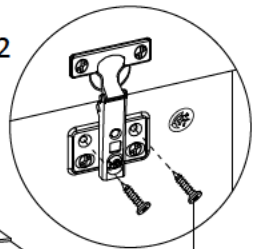
15



16



x2

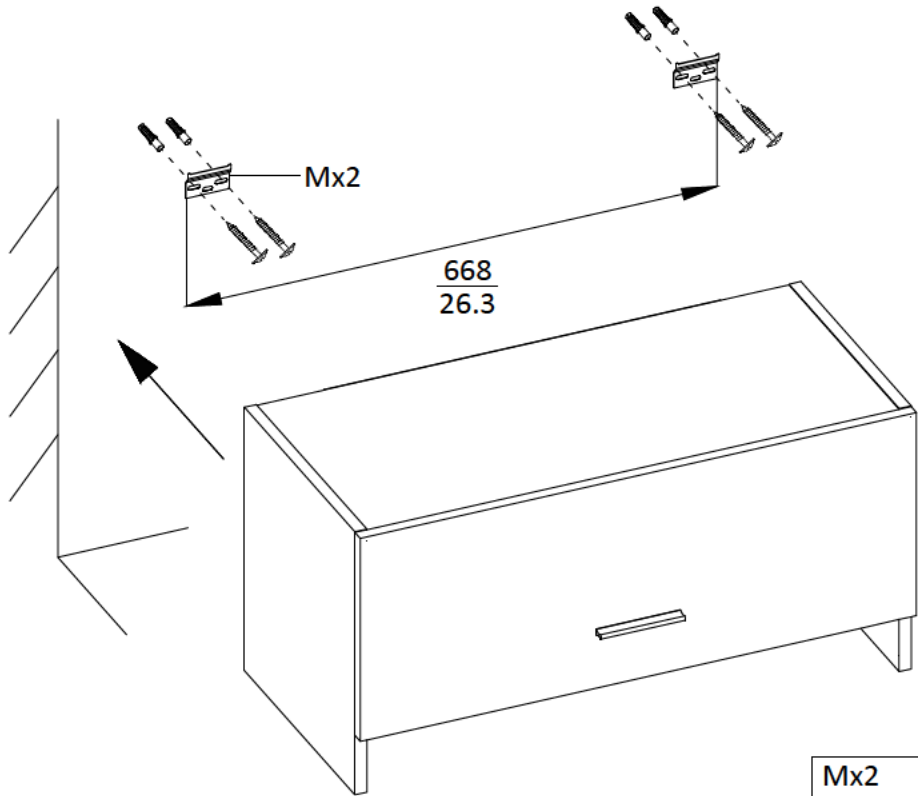
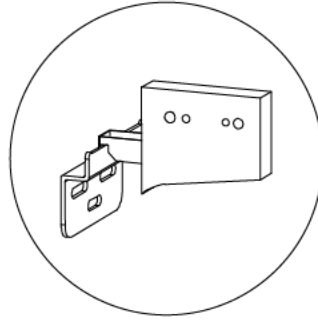
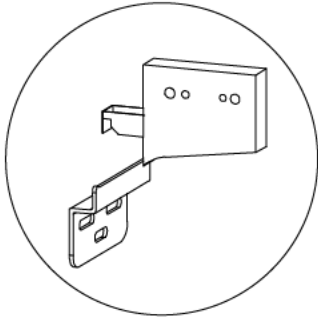


Qx2

Qx4  
M3.5x $\frac{15}{0.6}$



17



Mx2



18

