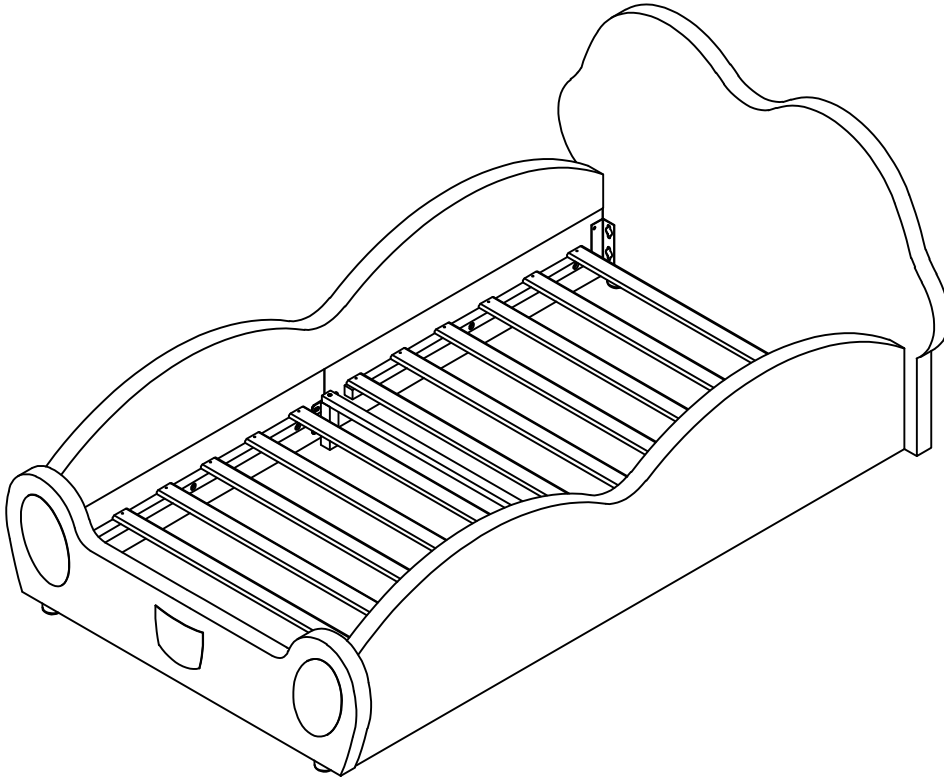


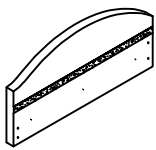
ASSEMBLY DIAGRAM

274

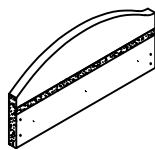


STEP: Packing Details

Box 1

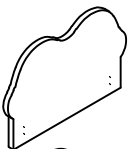


③ 2PCS

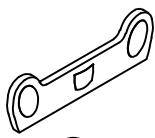


④ 2PCS

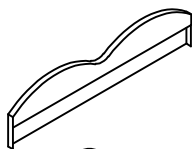
Box 2



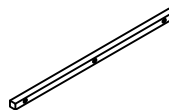
① 1PC



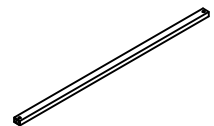
② 1PC



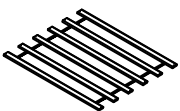
⑤ 2PCS



⑥ 4PCS



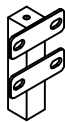
⑦ 1PC



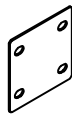
⑧ 2PCS



⑨ 4PCS



⑩ 2PCS

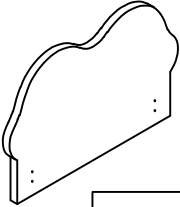
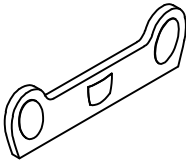
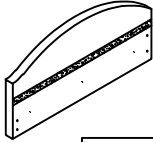
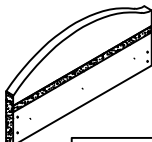
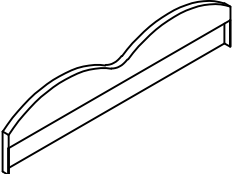
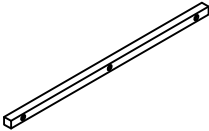
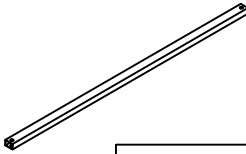
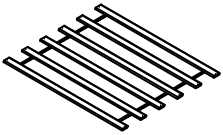

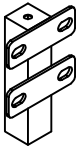
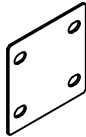



⑪ 2PCS












⑫ 4PCS

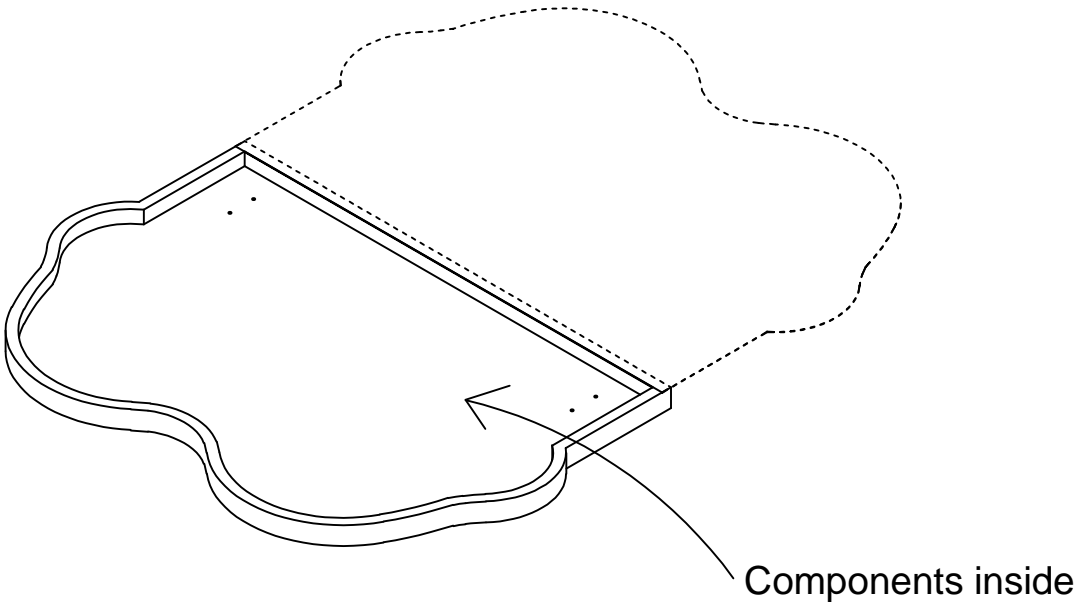
HARDWARE LIST

<p>① Headboard</p>  <p>1PC</p>	<p>② Footboard</p>  <p>1PC</p>	<p>③ HB Side Rail - L & FB Side Rail - R</p>  <p>2PCS</p>	<p>④ HB Side Rail - R & FB Side Rail - L</p>  <p>2PCS</p>
<p>⑤ Side - Rail Jacket</p>  <p>2PCS</p>	<p>⑥ Side rail support</p>  <p>4PCS</p>	<p>⑦ Center cross bar</p>  <p>1PC</p>	<p>⑧ Slat</p>  <p>2PCS</p>
<p>⑨ Bed Leg</p>  <p>4PCS</p>	<p>⑩ Side rail feet</p>  <p>2PCS</p>	<p>⑪ Iron plate</p>  <p>2PCS</p>	<p>⑫ Connect plate</p>  <p>4PCS</p>

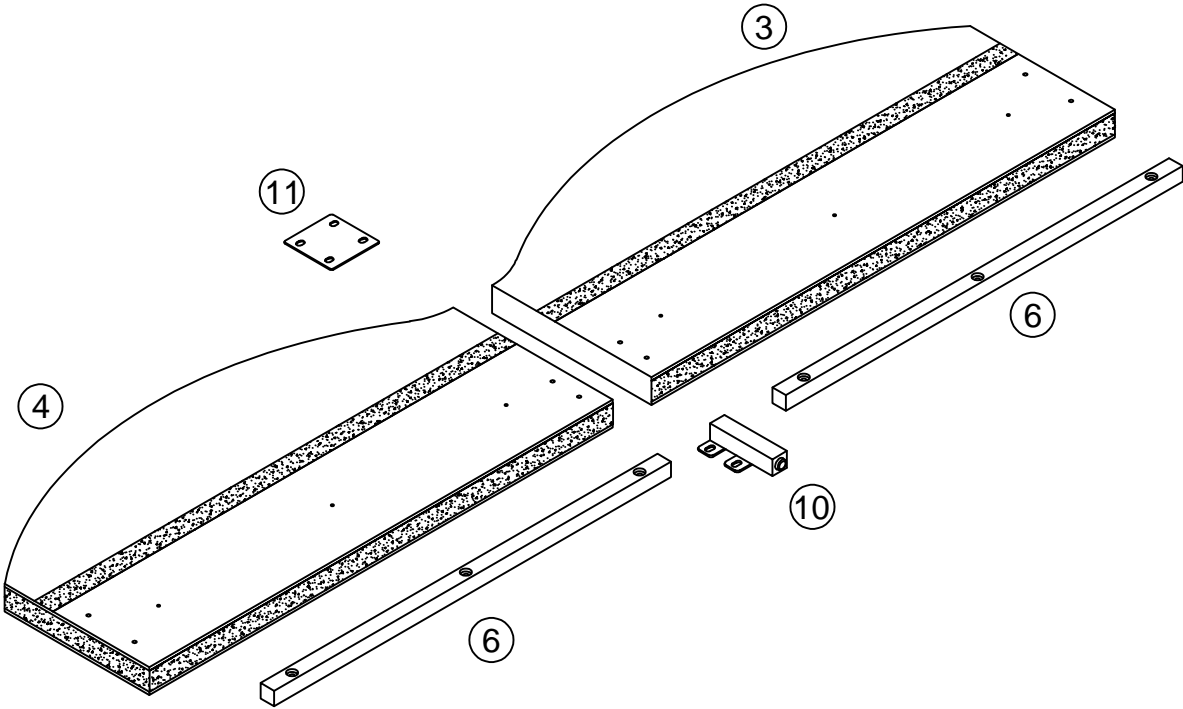
Hardware List

<p>A Bolt</p>  <p>M8*30mm 34PCS</p>	<p>B Bolt</p>  <p>M6*45mm 12PCS</p>	<p>C Flat washer</p>  <p>M8 34PCS</p>	<p>D Spring washer</p>  <p>M8 34PCS</p>
<p>E Flat washer</p>  <p>M6 12PCS</p>	<p>F Screw</p>  <p>8*30mm 24PCS</p>	<p>G Allen key</p>  <p>M8 1PC</p>	<p>H Allen key</p>  <p>M6 1PC</p>
<p>I Screwdriver</p>  <p>1PC</p>			

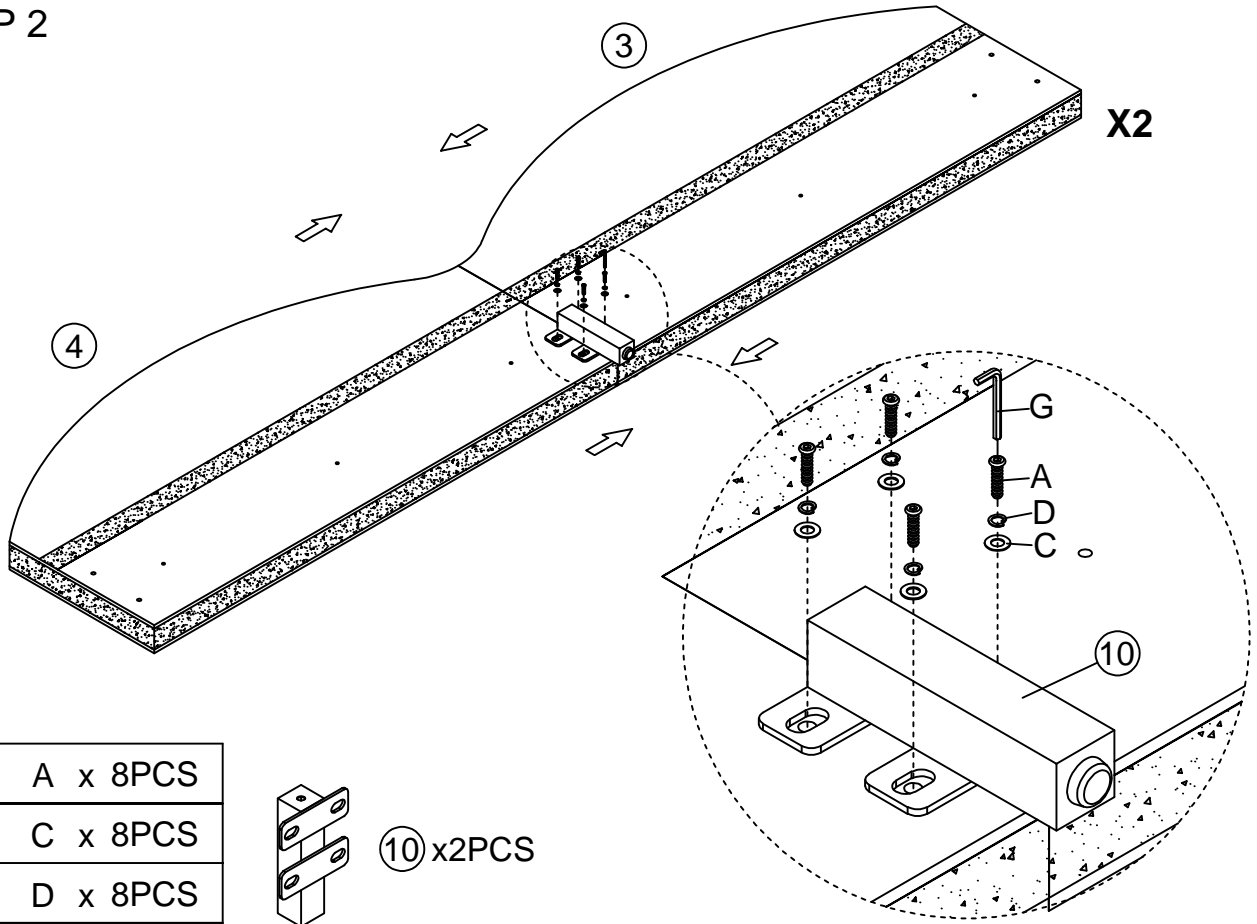
STEP :Packing Details







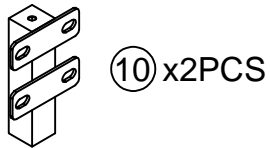
STEP 1



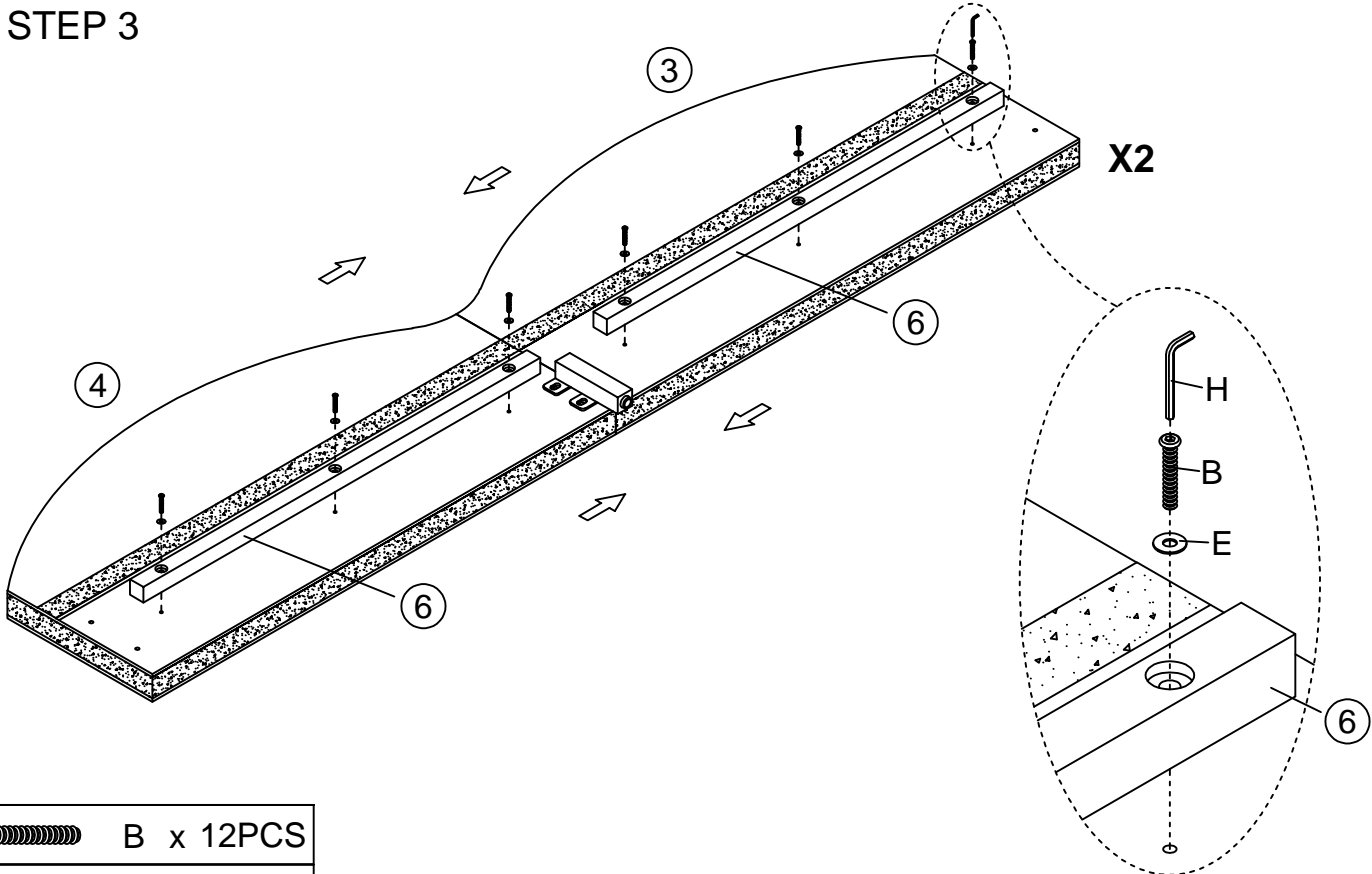
STEP 2






	A x 8PCS
	C x 8PCS
	D x 8PCS
	G x 1PC

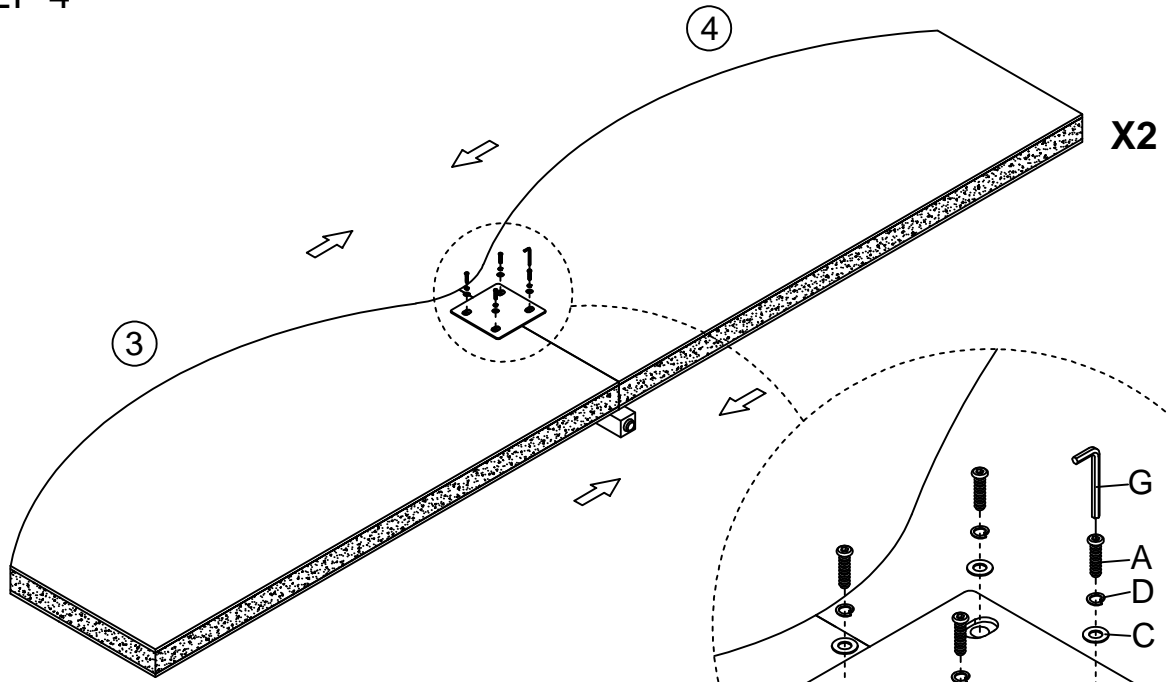






STEP 3

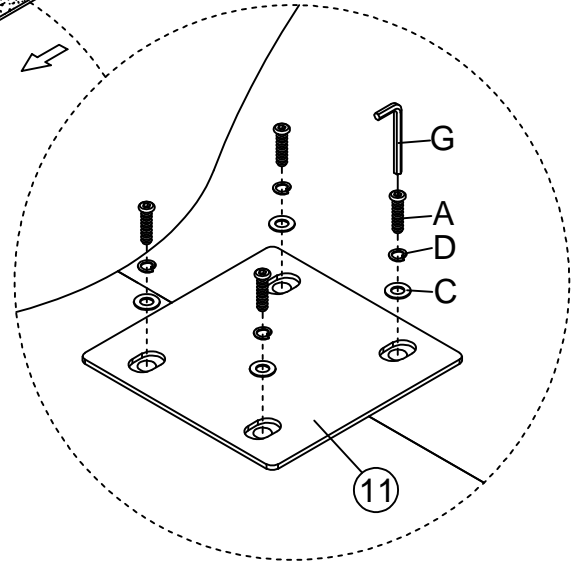
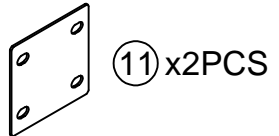


	B x 12PCS
	E x 12PCS
	H x 1PC

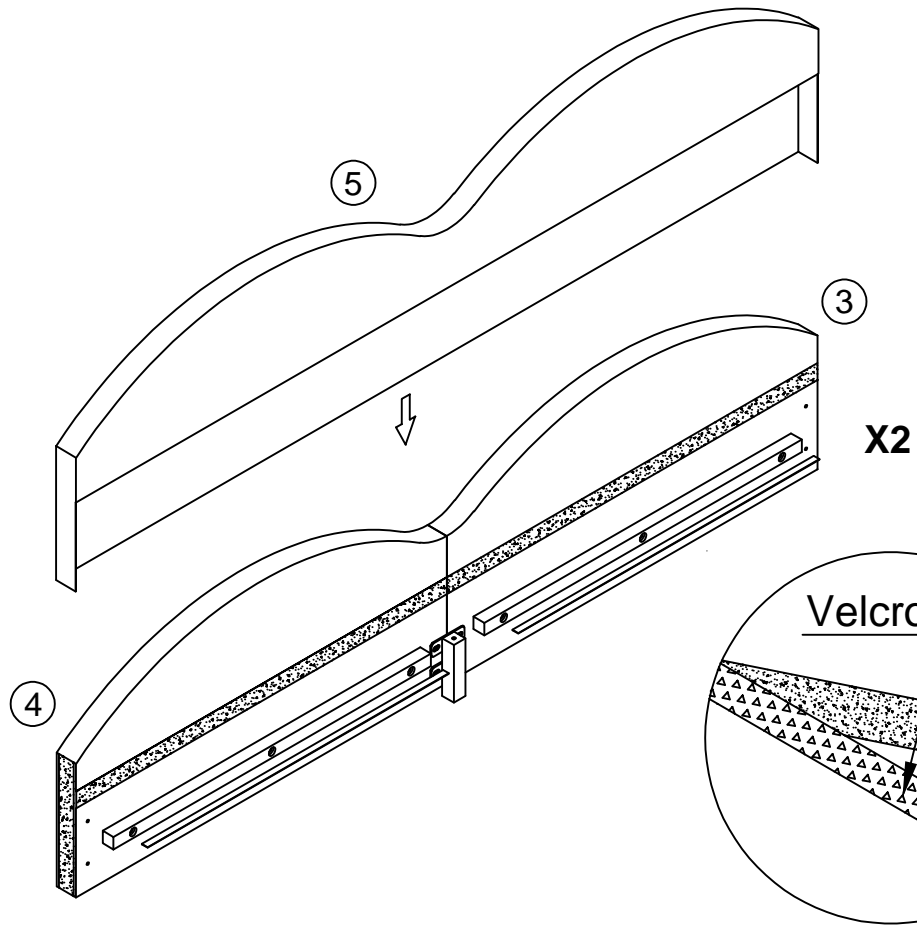
STEP 4



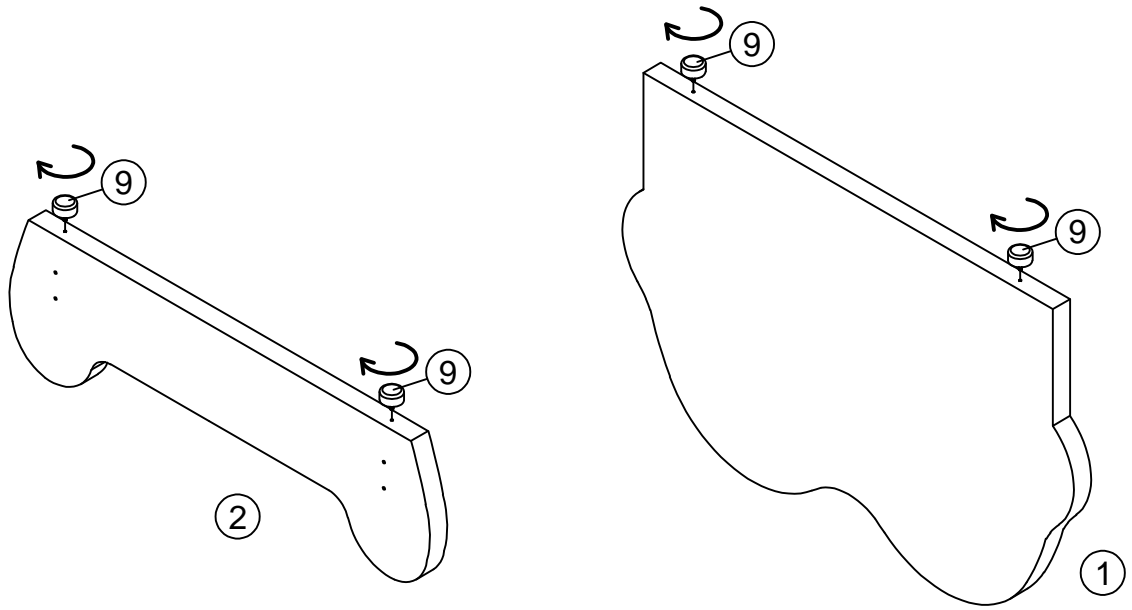
	A x 8PCS
	C x 8PCS
	D x 8PCS
	G x 1PC




STEP 5

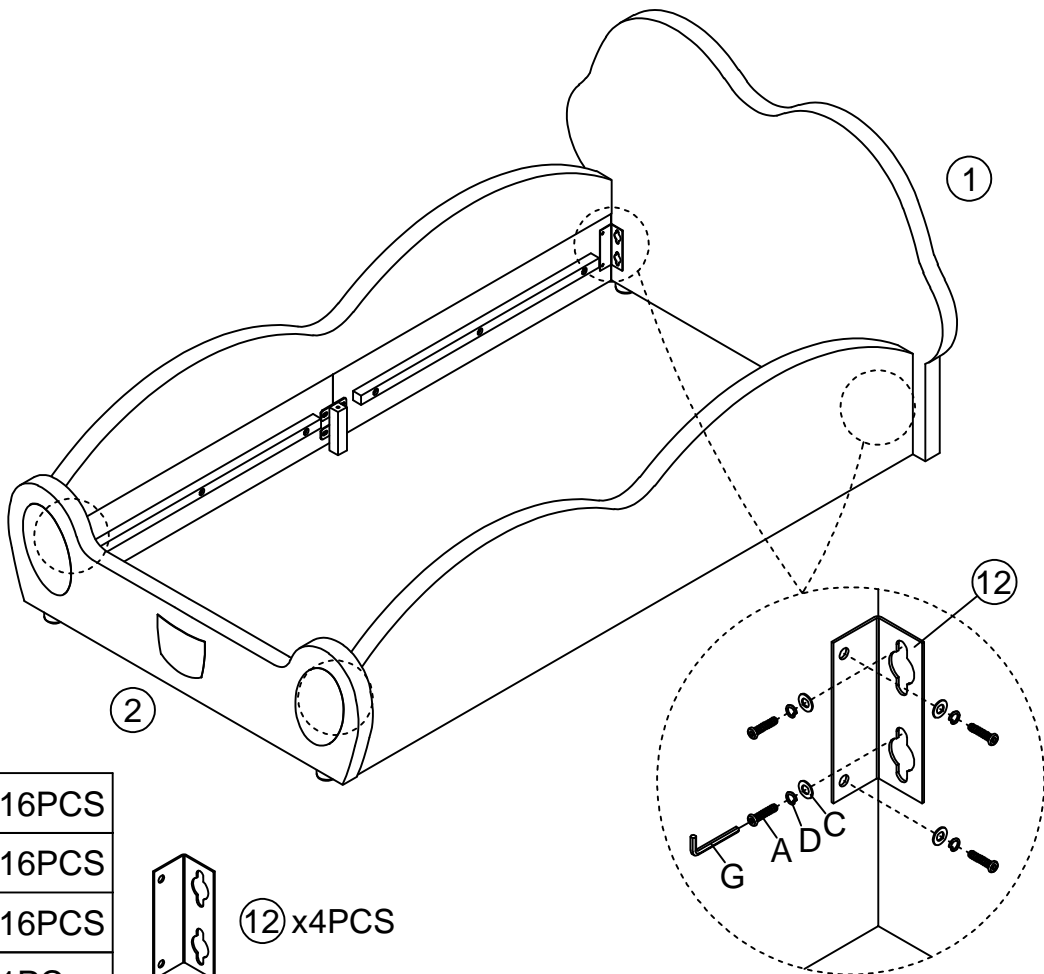






STEP 6

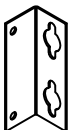


 ⑨ x4PCS

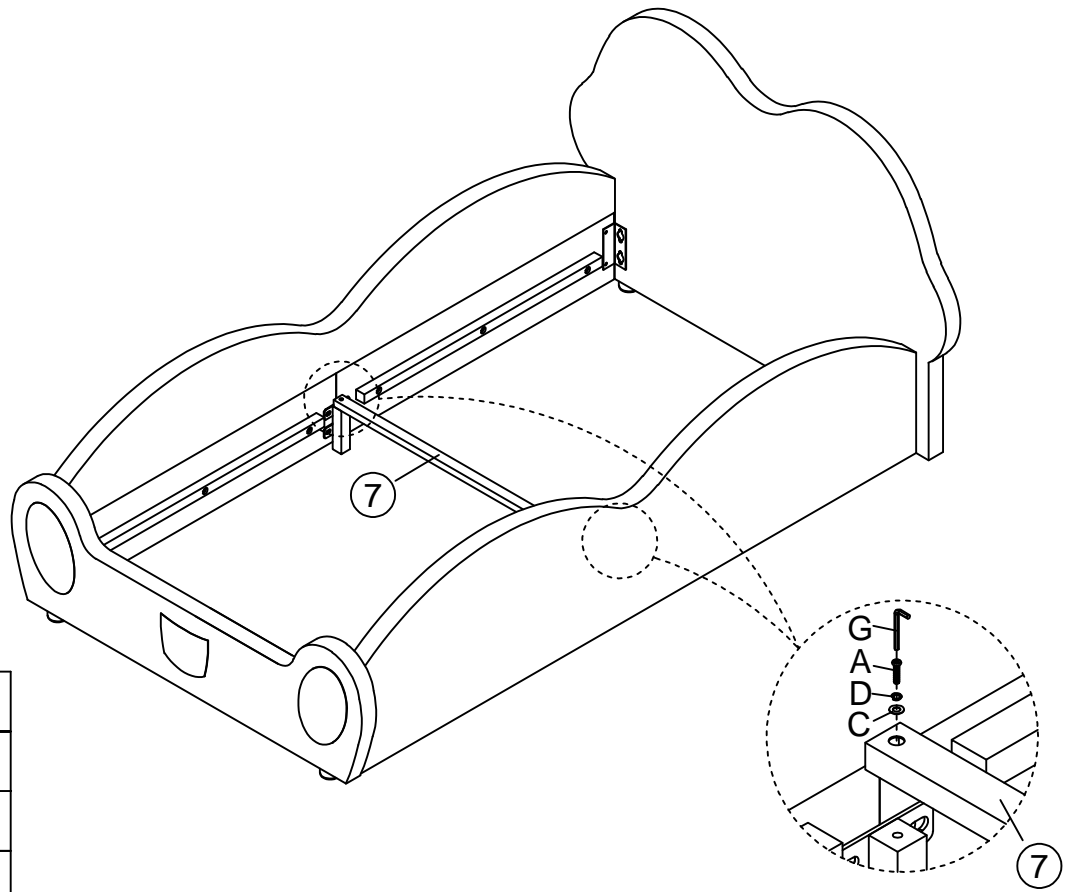
STEP 7







	A x 16PCS
	C x 16PCS
	D x 16PCS
	G x 1PC

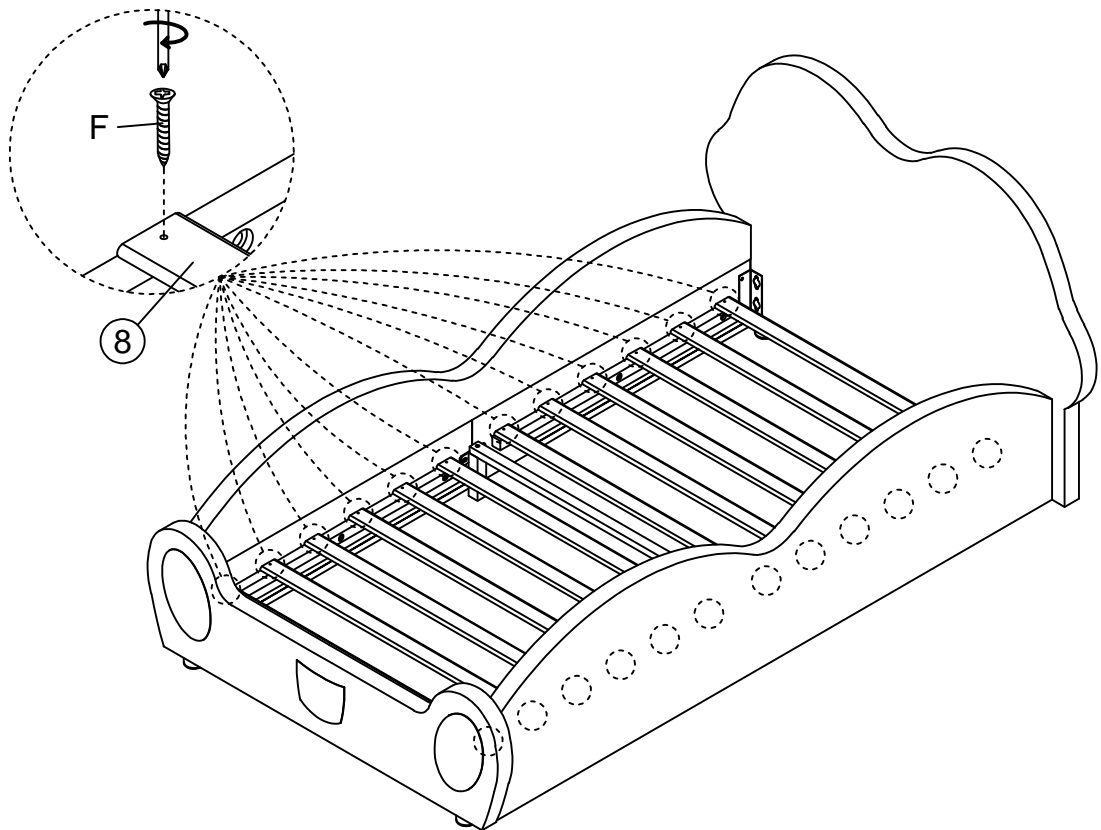
 ⑫ x4PCS

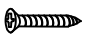
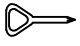
STEP 8



	A x 2PCS
	C x 2PCS
	D x 2PCS
	G x 1PC

STEP 9



	F x 24PCS
	I x 8PCS