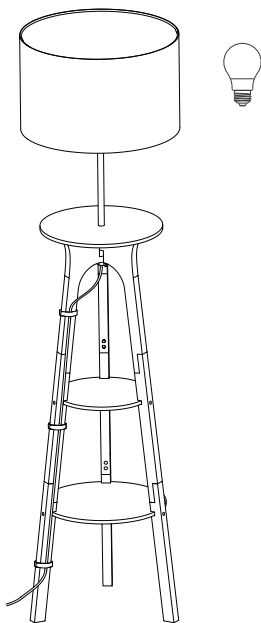


# *Floor Lamp*



Please pay attention to the warning signs  
Read the instructions with caution before  
operating and keep it properly

## Warning

---

1. Before assembly, lay out all parts on a clean, flat surface and inspect each part for defects that may have occurred during shipping.
2. Inspect the wire insulation for any cuts, abrasions, or exposed copper that may have occurred during shipping. If there are any defects, DO NOT continue assembly. Please contact our customer service team immediately.
3. Consult a qualified electrician if you have any electrical questions.
4. To reduce the likelihood of tipping over, we recommend placing the lamp behind furniture and keeping children and pets away.
5. Never drape clothes over the lamp.
6. To prevent children from suffocating and choking, keep them away from packing materials.
7. Please keep this manual and pass it along when transferring the product.

## Specifications

---

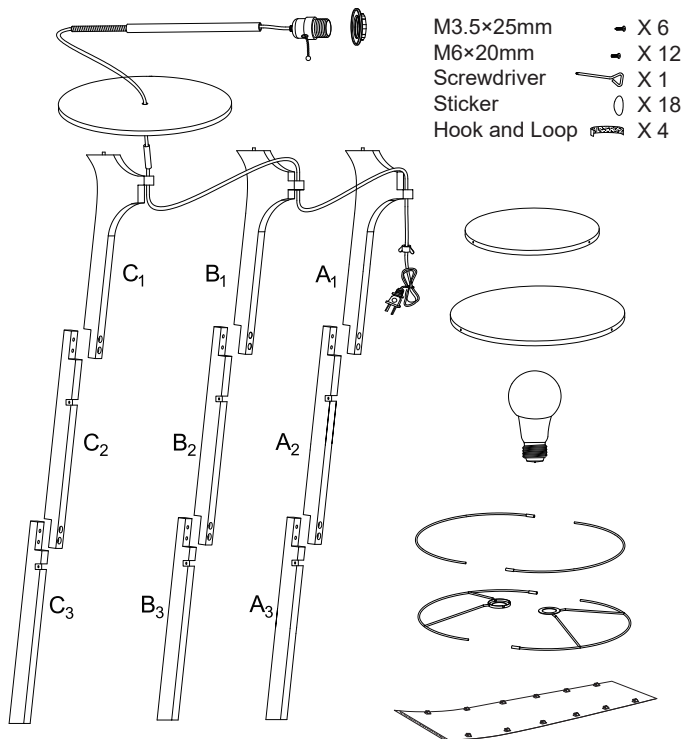
- Product Height: 59.8 in (152cm)
- Wire Length: 118 in (300cm)
- Input Voltage: 120Vac 60Hz
- Socket Type: Standard Medium E26
- Max.Load Power: LED Bulb 12W or Incandescent Bulb 60W
- Bulb: 9W, 1050LM, 2700K / 4000K / 5000K

## One-Year Limited Warranty

---

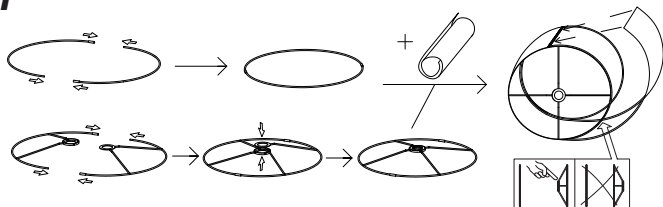
We provide a one-year warranty for materials and workmanship from the date of purchase. Please note that the warranty does not cover damage caused by personal misuse or improper installation. Kindly attach your Order ID and Name so that our dedicated customer service team can assist you more efficiently.

## Parts Included



## Assembly Instructions

1

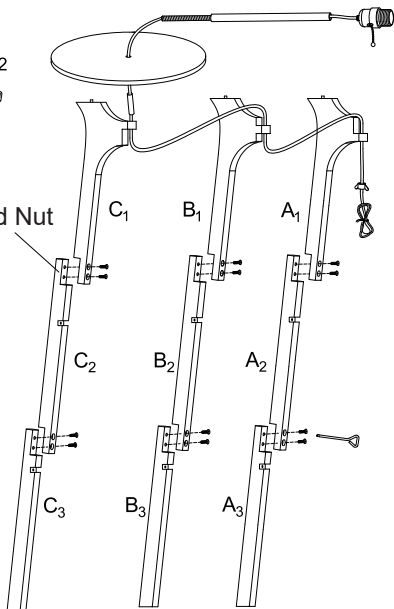


2

M6×20mm  $\times 12$

Screwdriver 

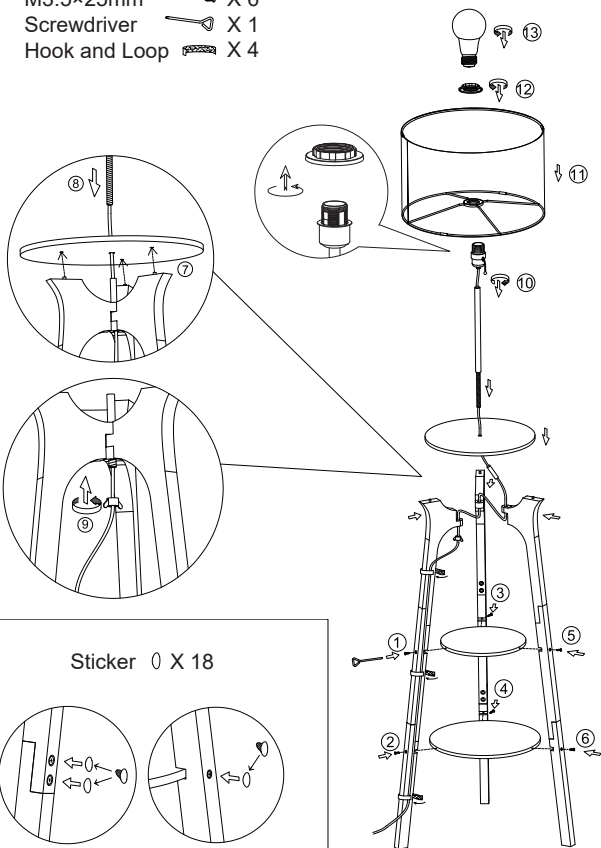
Embedded Nut



## Assembly Instructions

### 3

M3.5×25mm  X 6  
Screwdriver  X 1  
Hook and Loop  X 4



### 4

Sticker  X 18

