

Assembly Instructions

Caution : You must read these Assembly Instructions before you proceed

Care & Maintenance



- Not for commercial use. For residential use only.



- Do not put hot items directly on furniture surface.



- Do not clean furniture with harsh cleansers or polish.



- To obtain the longest lifespan of your outdoor products, minimizing exposure to direct sunlight is recommended.



- Children should not climb or jump on the furniture.



- Do not write on furniture without a padded barrier to protect the surface.



- To obtain the longest lifespan of your outdoor products, avoid extended and lengthy exposure to rain, snow, and direct sunshine. Whenever possible cover the product and /or place under patio or awnings.



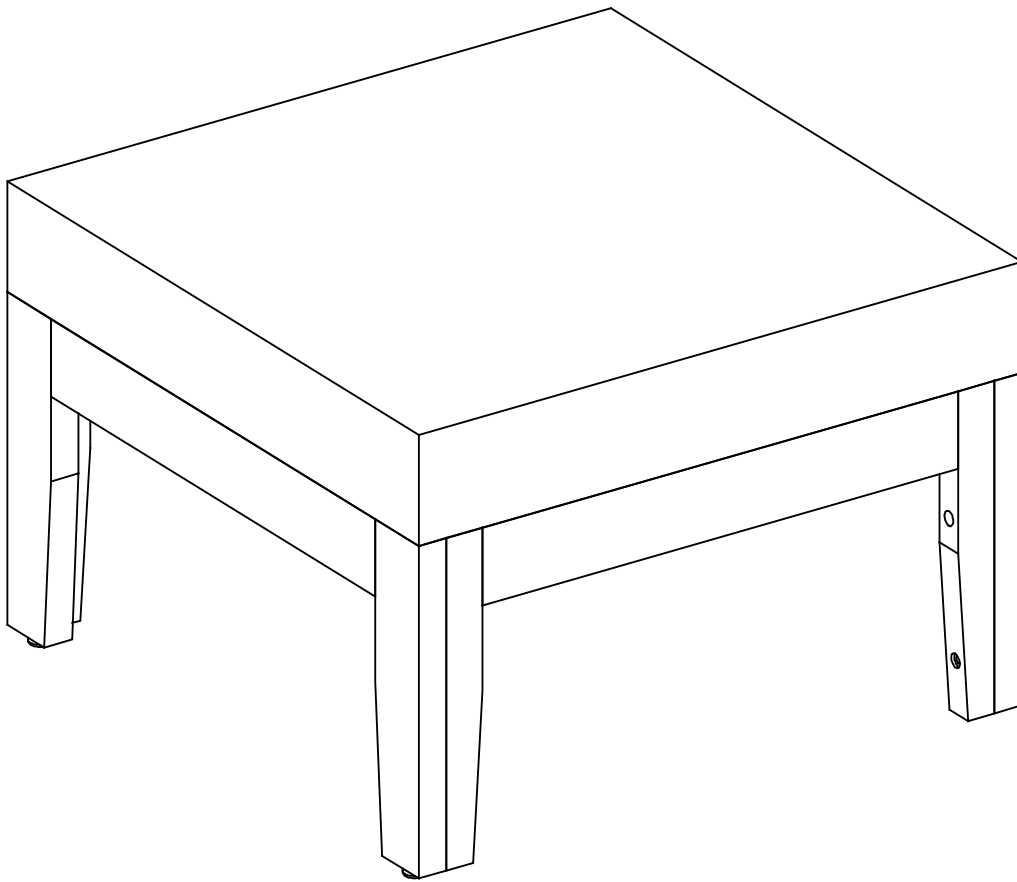
- Stains may be removed with mild soap solution and damp cloth.



- Dust and pick-up spills using a clean, non-colored, lint-free cloth.

Please look on the Seat Panel for hardware packs

OTTOMAN

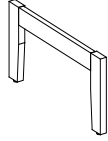
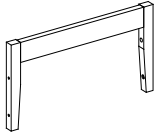
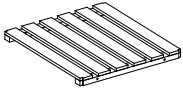
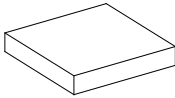


CAUTION: This Footres is NOT a TOY.




Keep your child / children at bay during the assembly process.

For moving the Footres and to prevent damage to the Footres, two adults may be needed to execute this action.

Parts List

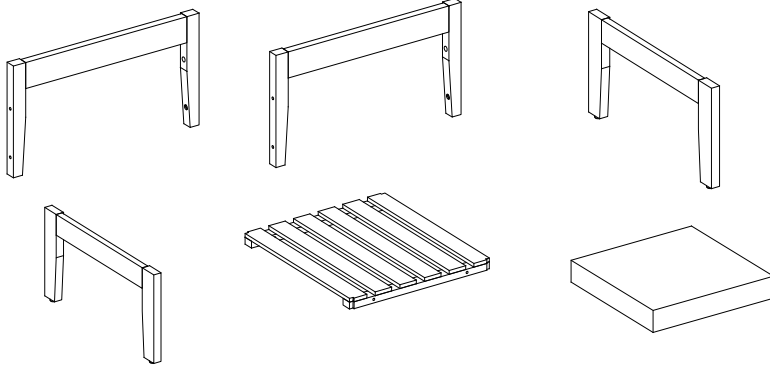
Label	Picture	Description	QTY
K		Leg Panel	2
L		Side Panel	2
M		Seat Panel	1
N		Seat Cushion	1

Hardware

Label	Picture	Description	QTY
⑤		Bolt (M6 x 40mm)	9
⑥		Screws (M6x45mm)	5
⑦		Allen Wrench	1

Assembly Preparation

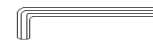
Before Beginning Assembly:



x9



x5



x1



- Read instructions, cover to cover-



- Have 2 adults on hand for assembly-



- Do not assemble on flooring or carpet-



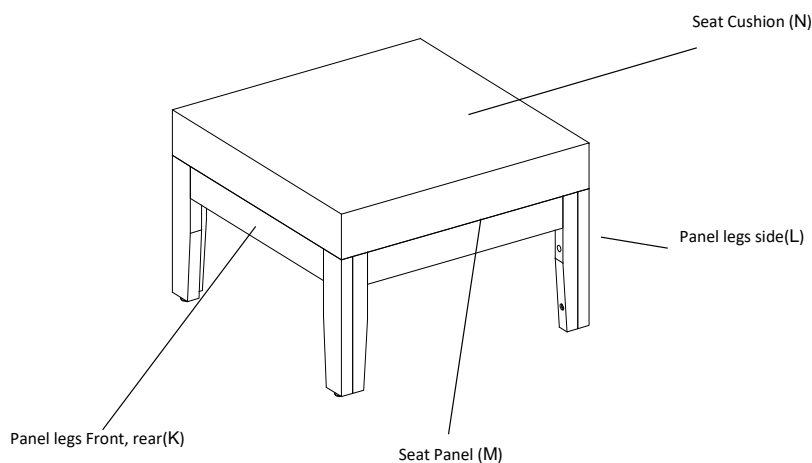
- Assemble on a clean non-marring surface (packing foam)-



- Save all packaging until finished-

Assembly Steps

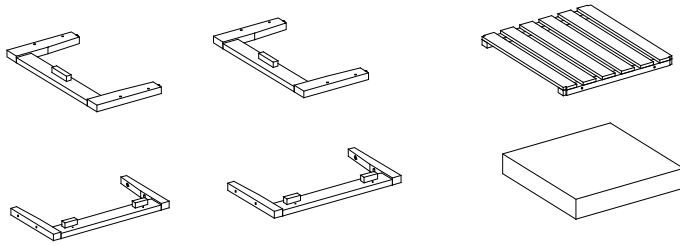
OVERVIEW



FRONT FACING

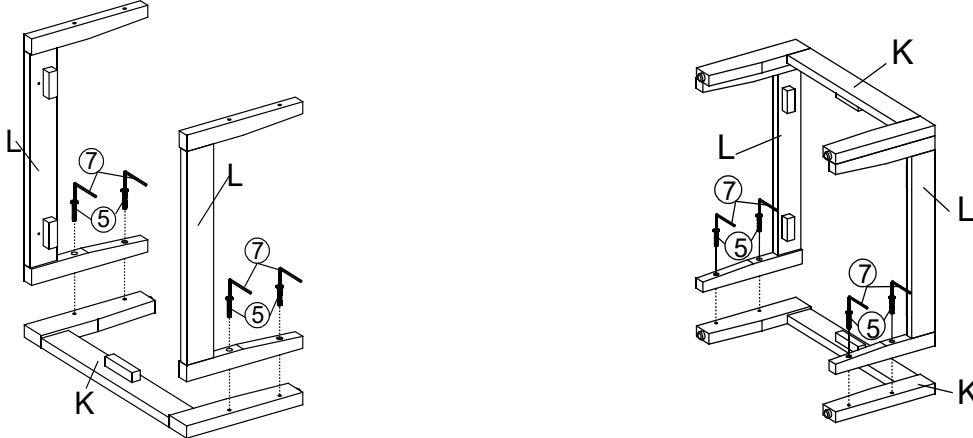
This Sun Lounger has multiple parts and may require up to some 30 minutes to assemble. To give you an overview of the Sun Lounger parts, the above picture is to help you put the various parts into perspective. Please read through the instructions below to familiarise yourself with the parts and steps before assembly.

Step 1



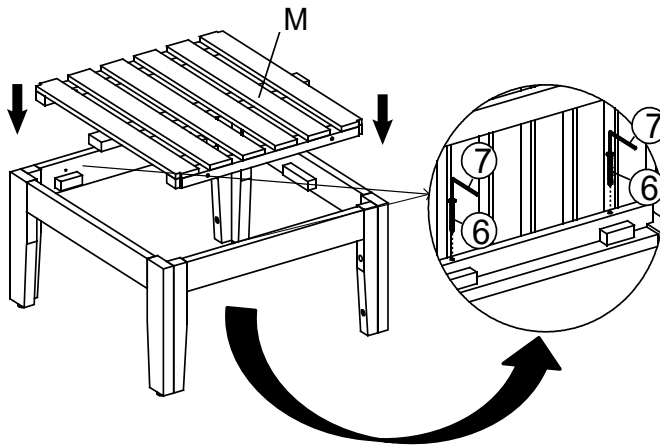
Unpack and place all parts on a clean, non-marring surface.

Step 2



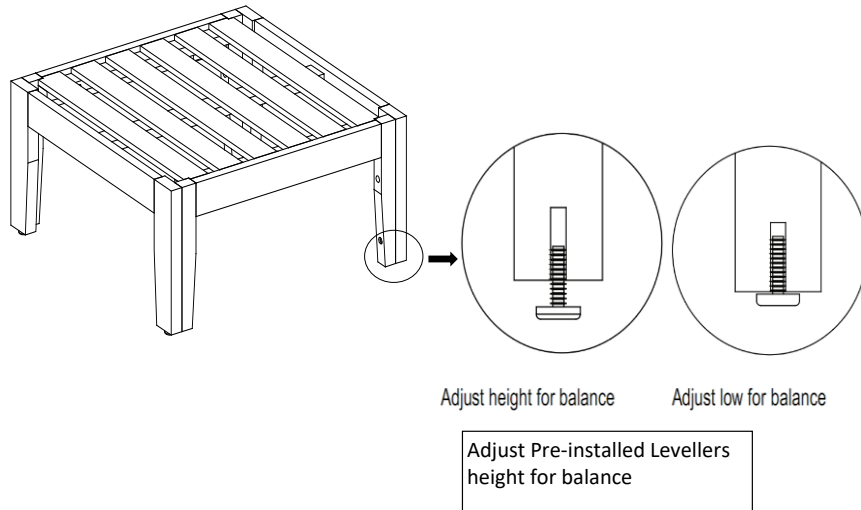
Place Leg Panel(K) facedown as pictured above.
Insert the tenons on Side Panels(L) into the mortises of Leg Panel(K).
Attach Side Panels(L) to Leg Panel(K) using Bolts(5) with Allen Wrench(7).
Repeat the same process with the remaining Leg Panel(K).
Do not fully tighten the Bolts

Step 3



Insert Seat Panel(M) into assembled Ottoman frame as pictured above.
Attach Seat Panel(M) to Side Panels(L) using Screws(6) with Allen Wrench(7).
Note: Insert Screws(6) from inside to outside of Seat Panel(M).
Do not fully tighten the Screws.

Step 4



Place the Ottoman onto a flat, level surface.

Then EXERT pressure, floorwards onto the Ottoman with both hands.

This pressure will help the Ottoman reach full alignment at all joints.

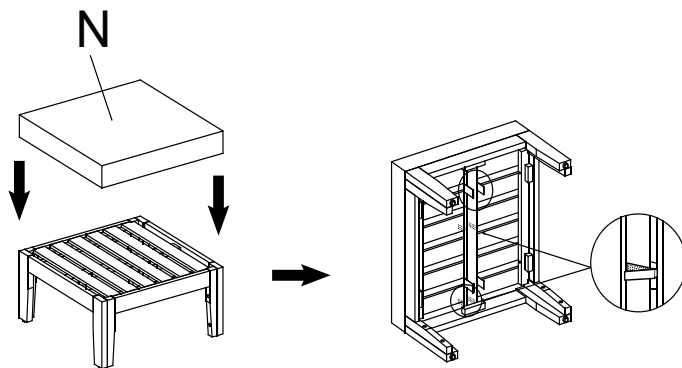
In a sequential manner, gradually tighten all Bolts and Screws at all joints until evenly secured.

Inspect the Ottoman and make sure all parts are adequately connected.

Adjust the Levellers until the Chair is level with the ground.

To adjust the Levellers, get assistance from an adult partner to lift/lean and hold the Chair while you are working.

Step 5



Place Seat Cushion (N), to Seat Panel (M).

Inspect it and make sure all parts are adequately connected.

Ensure all screws, bolts are fully locked into position and secured.

The Footrest is ready to be used.

Caution: This Armchair can only be used on a flat, level surface.