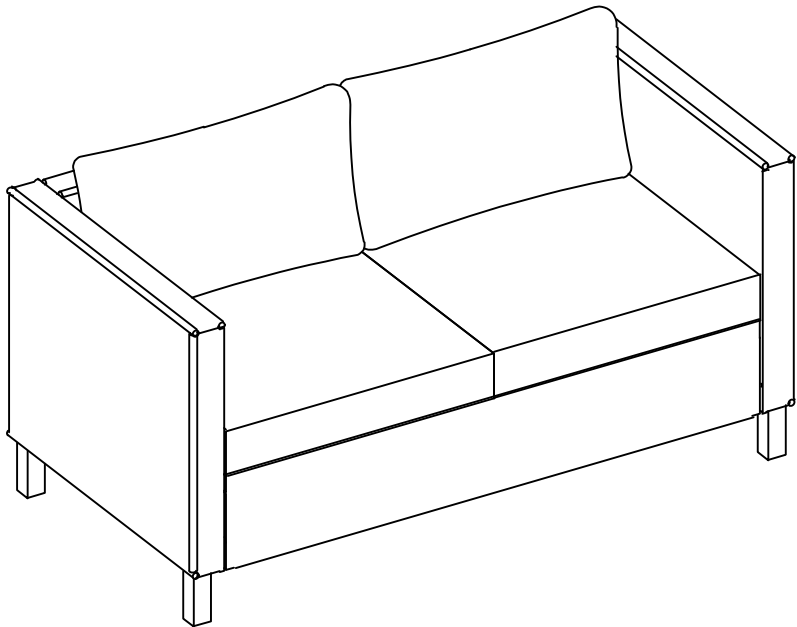


Instruction Manual

Rattan 2 Seat Sofa



CONTENTS

Safety and care advice	1
Components	2
Assembly instructions	4
Copyright	13



⚠ SAFETY AND CARE ADVICE ⚠

PLEASE READ THESE INSTRUCTIONS CAREFULLY AND KEEP FOR FUTURE REFERENCE

- **Warning:** Please lift with care.
- Check you have all the components and tools listed on pages 2 and 3.
- Remove all fittings from the plastic bags and separate them into their groups.
- Keep children and animals away from the work area, small parts could choke if swallowed.
- Make sure you have enough space to lay out the parts before starting.
- Do not stand or put weight on the product, this could cause damage.
- Assemble the item as close to its final position (in the same room) as possible.
- Assemble on a soft level surface to avoid damaging the unit or your floor (use opened out unit carton).



- We do not recommend the use of power drill/drivers **for inserting screws**, as this could damage the unit. Only use hand screwdrivers.
- Dispose of all packaging carefully and responsibly.

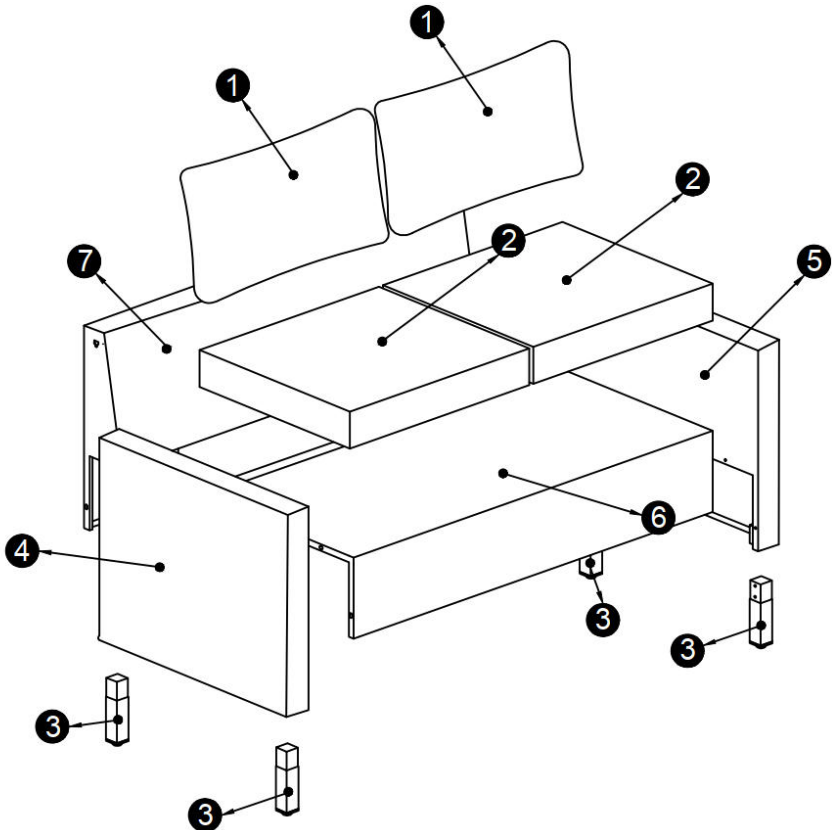
CARE AND MAINTENANCE

- Only clean using a damp cloth and mild detergent, do not use bleach or abrasive cleaners.
- From time to time check that there are no loose screws on this unit.
- This product should not be discarded with household waste. Take to your local authority waste disposal center.

Note *If required the next page can be cut out and used as reference throughout the assembly. Keep this page with these instructions for future reference.*

COMPONENTS

Please check you have all the panels listed below:



1	Back Cushion	x2	5	Left Arm	x1
2	Seat Cushion	x2	6	Seat	x1
3	Legs	x4	7	Backrest	x1
4	Right Arm	x1			



COMPONENTS

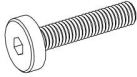
Please check you have all the fittings listed below:

A



Bolt M6x20 (8 pcs)

B



Bolt M6 x 40 (12 pcs)

C



Flat Washer (20pcs)

D



Allen Key (1 pc)

E

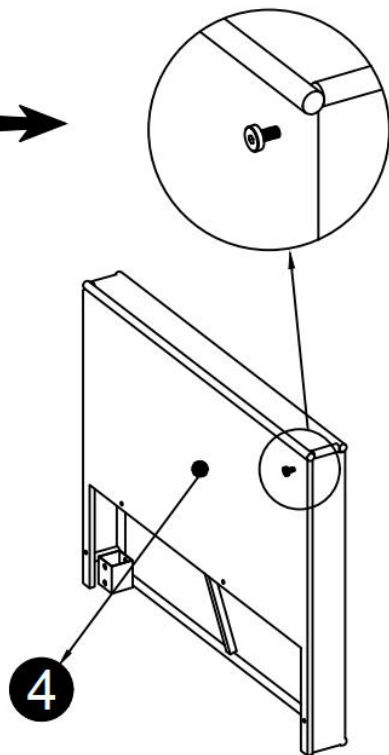
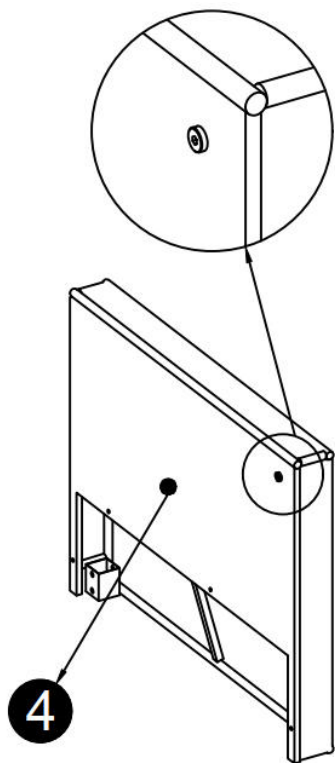
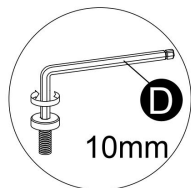


Cover (4 pcs)



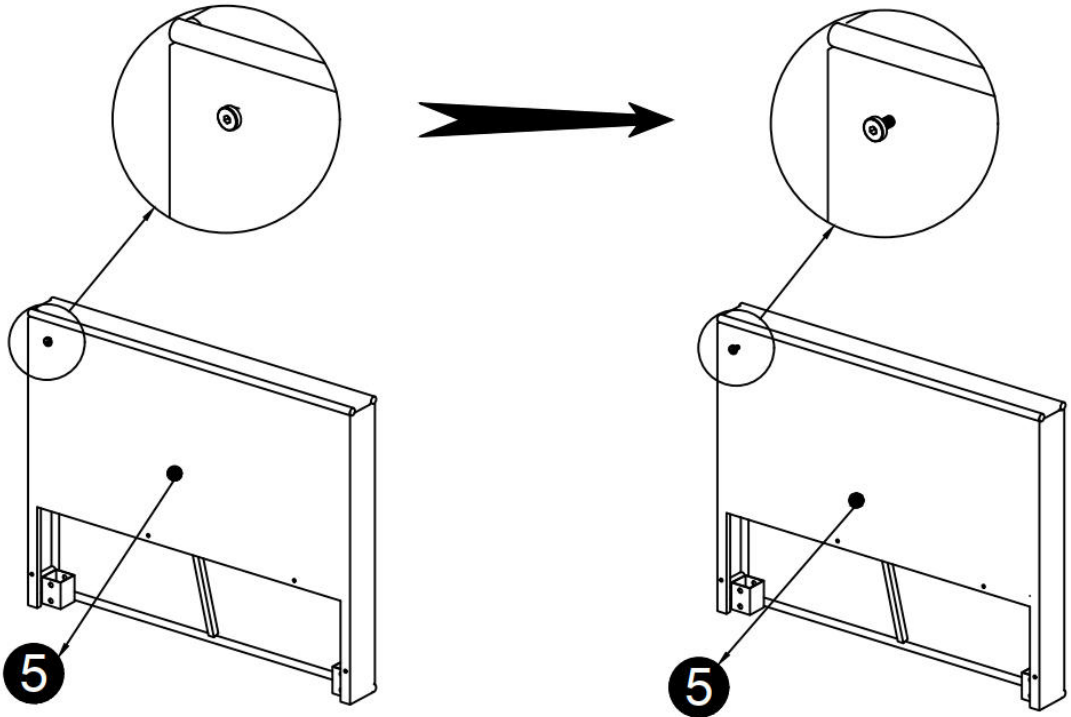
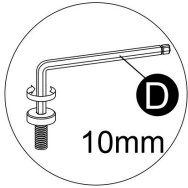
ASSEMBLY INSTRUCTIONS

Step 1: Use Allen key (D) to loosen Bolt on the side of Right Arm (4) about 10 mm.



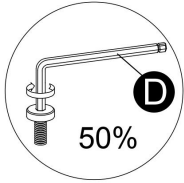
ASSEMBLY INSTRUCTIONS

Step 2: Use Allen key (D) to loosen Bolt on the side of Left Arm (5) about 10mm.

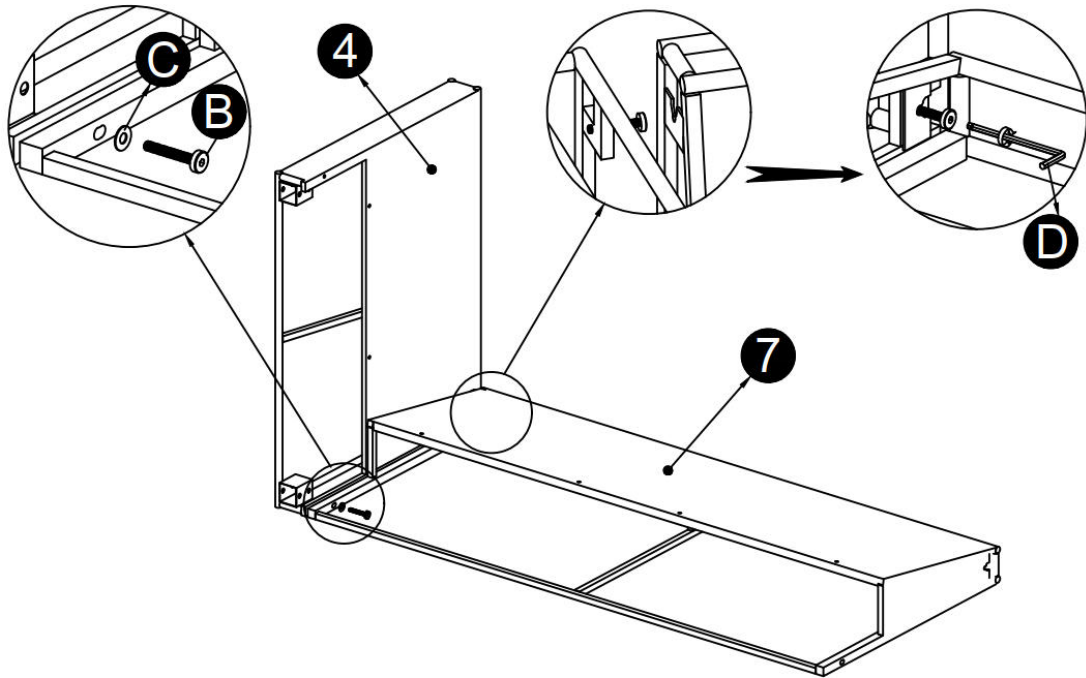


ASSEMBLY INSTRUCTIONS

Step 3: Connect The Backrest (7) & Right Arm (4) tighten Bolt (B), Flat Washer (C) with Allen Key (D).

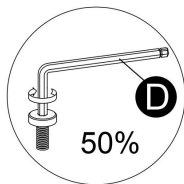


B		1	
C		1	
D		1	

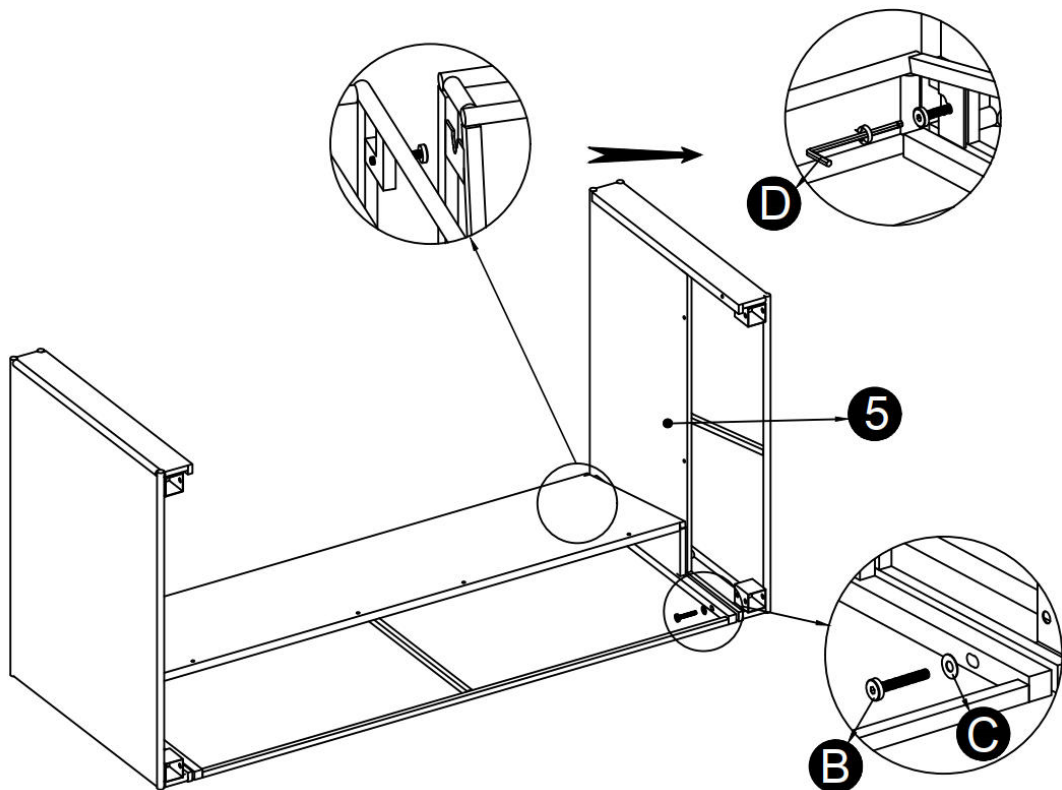


ASSEMBLY INSTRUCTIONS

Step 4: Connect the part from step 3 & Left Arm (5) tighten Bolt (B), Flat Washer (C) with Allen Key (D).

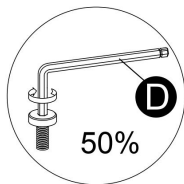





B		1
C		1
D		1

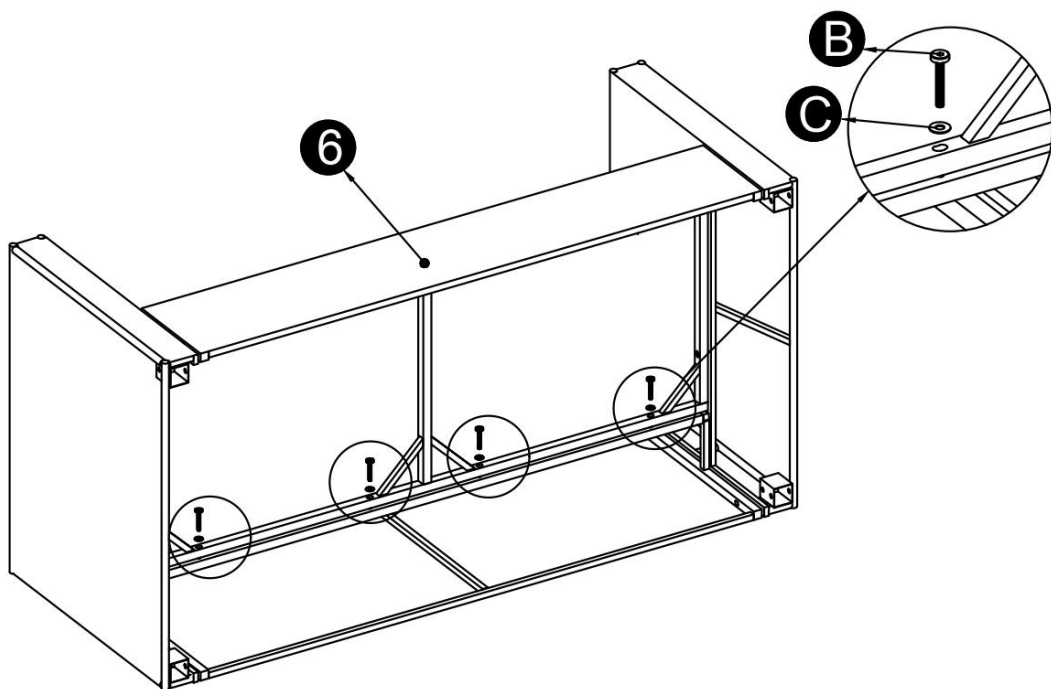


ASSEMBLY INSTRUCTIONS

Step 5: Connect the part from Step 4 & Seat (6) tighten Bolt (B), Flat Washer (C) with Allen Key (D).

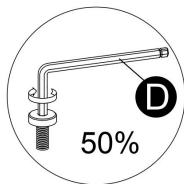





B		4	
C		4	
D		1	

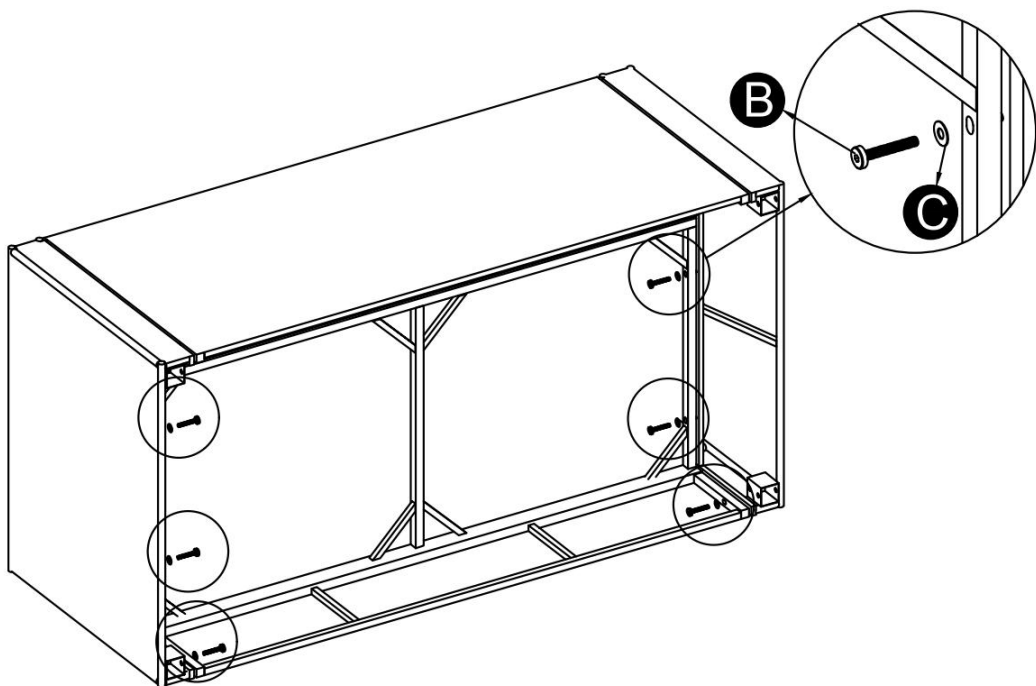


ASSEMBLY INSTRUCTIONS Step

6: Connect the part from Step 5, tighten Bolt (B), Flat Washer (C) with Allen Key (D).

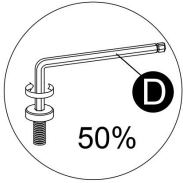


B		6
C		6
D		1

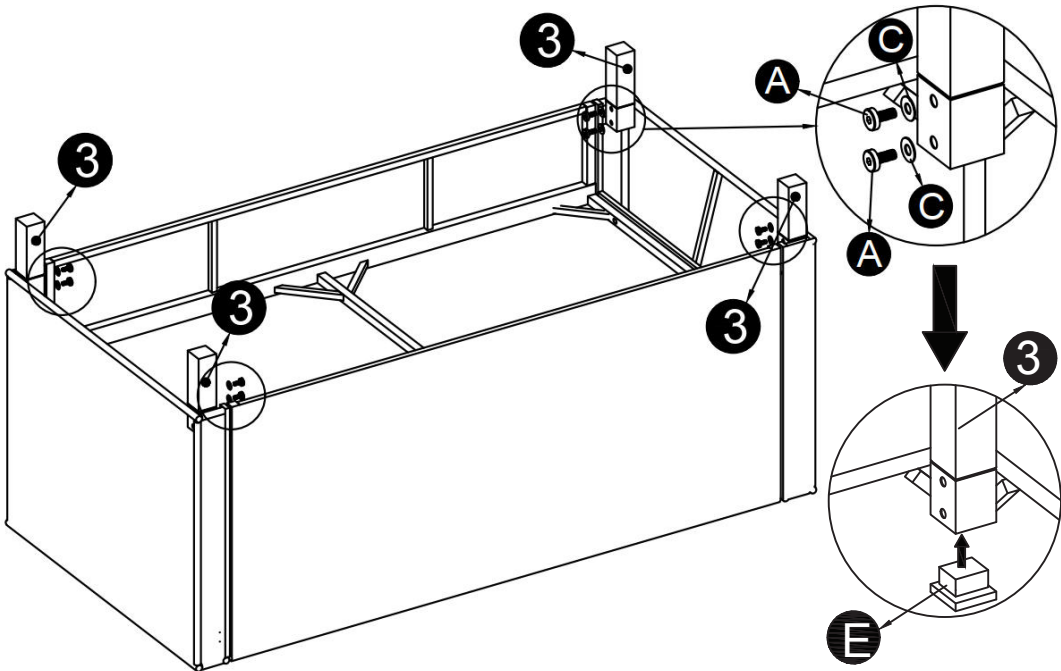


ASSEMBLY INSTRUCTIONS

Step 7: Connect the part from Step 6 & Legs (3) tighten Bolt (A), Flat Washer (C) with Allen Key (D) and Put to Cover (E).

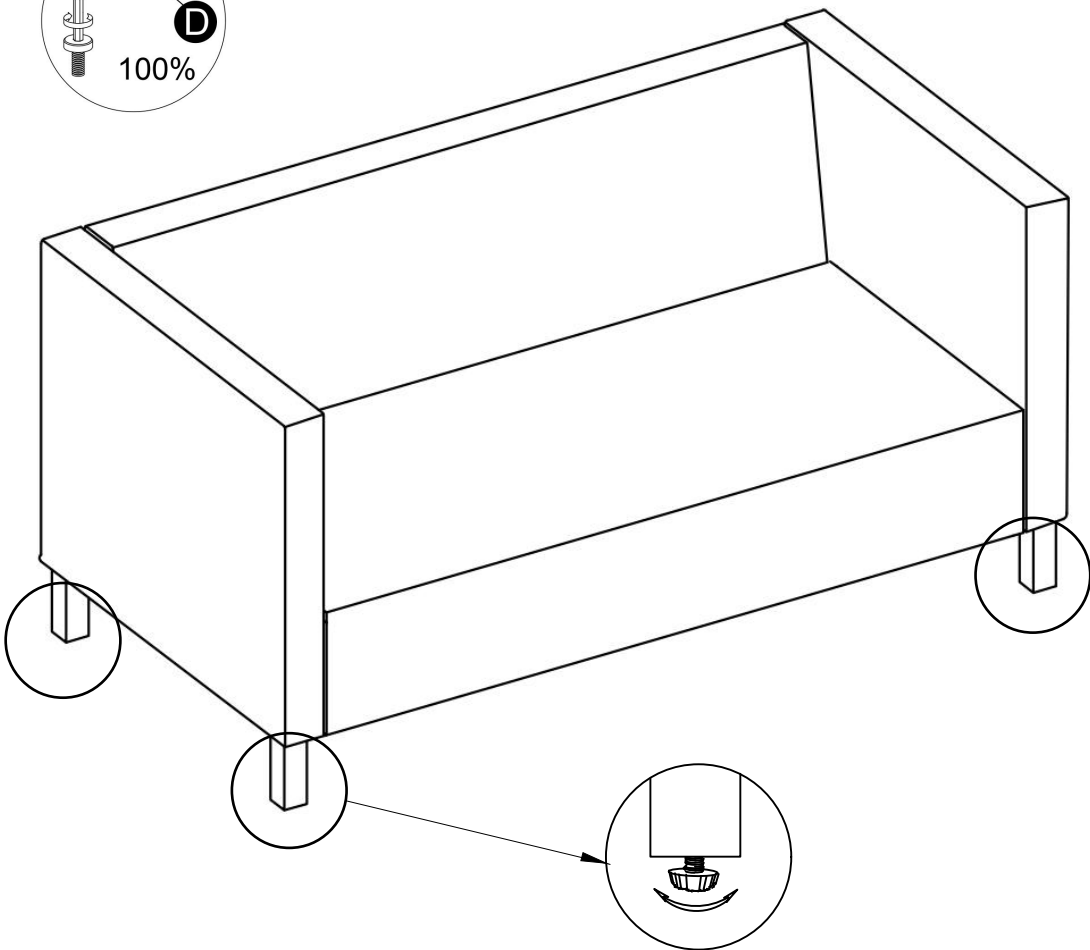
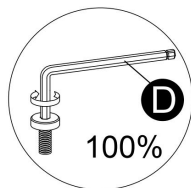


A		8	
C		8	
D		1	
E		4	



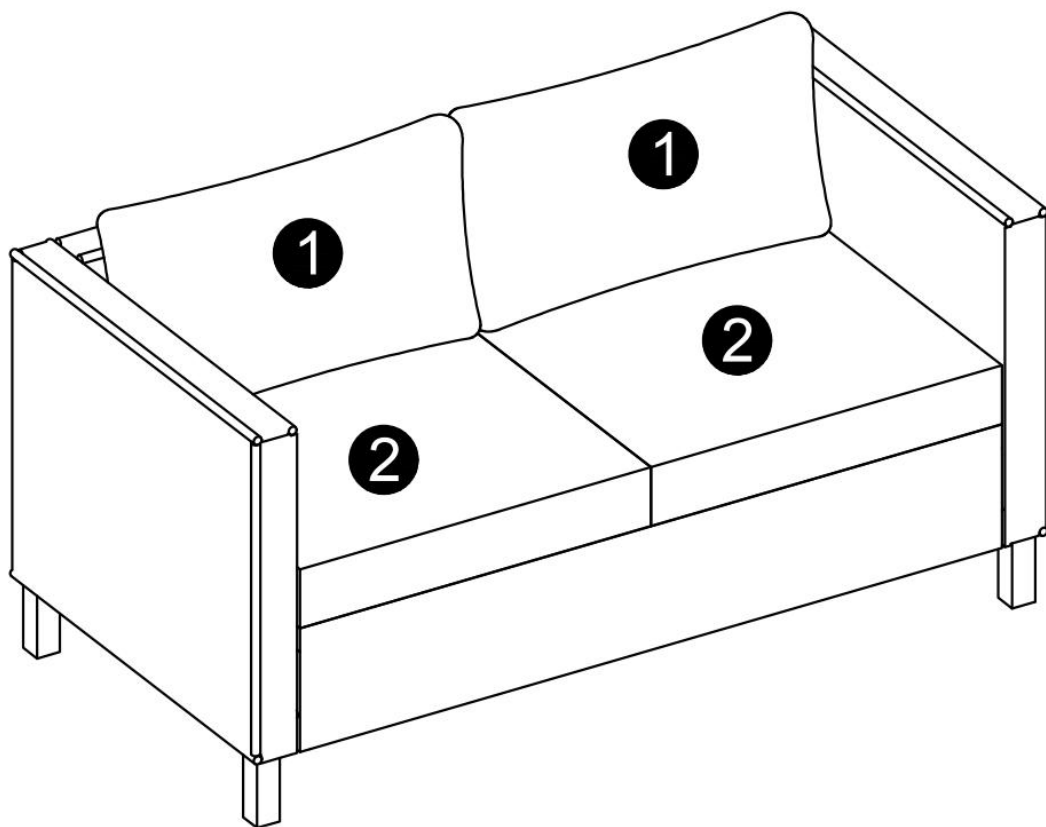
ASSEMBLY INSTRUCTIONS

Step 8: Put the Bench upright and make sure all legs are level, then firmly tighten all Bolts with Allen Key (D).



ASSEMBLY INSTRUCTIONS

Step 9: put on Seat Cushions (2) & Back Cushions (1) to finish



Congratulations! Now you have finished assembling the product.

IF YOU FIND A DEFECTIVE PART

We fully stock all parts and components. Any defective part can be quickly replaced. Take note of the defective part number in manual and we will arrange a quick replacement.

COPYRIGHT

All material in this instruction manual is copyrighted

Any unauthorised use may violate worldwide copyright, trademark and other laws.