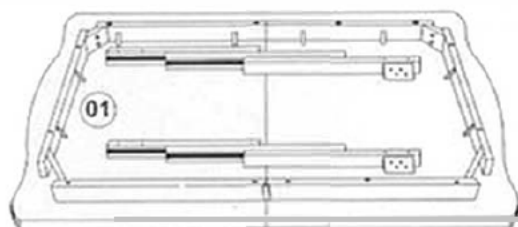


ASSEMBLY INSTRUCTION

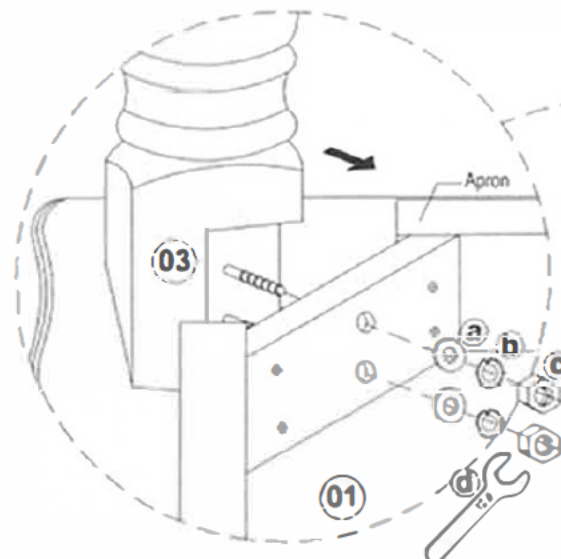
Extension Dining Table

42" x 56" x 72"L x (1- 16"Leaf) x 30"H

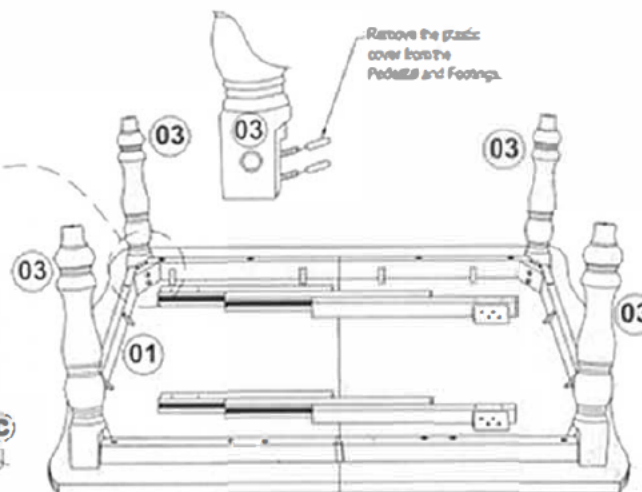
- 1** Turn the under side of the Table Top over and place it on a clean and smooth surface such as rug or carpet to avoid the Table Top from being scratched.



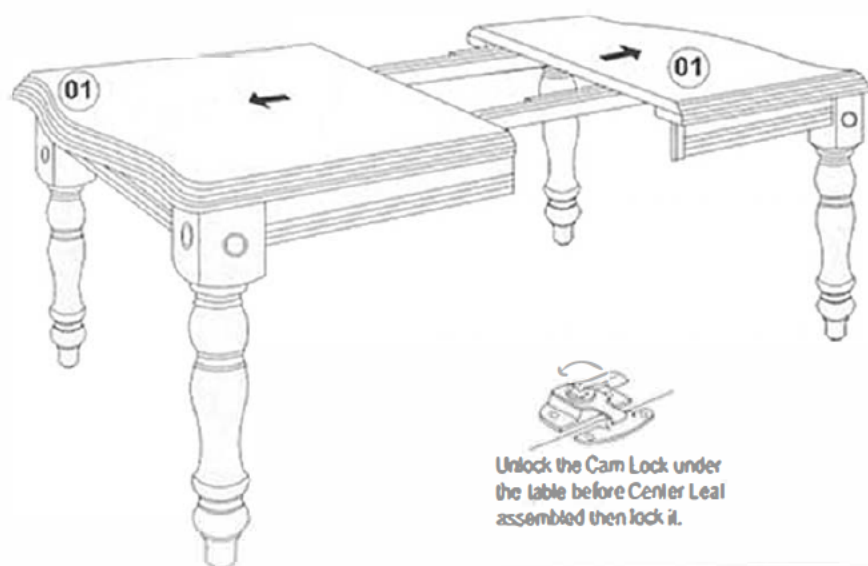
- 2** Fix the turned Leg to the corner of the apron with the Flat Washer, Spring Washer And Hex Nut using the Spanner to tighten it.



- 3** Repeat the same step for the other three Legs

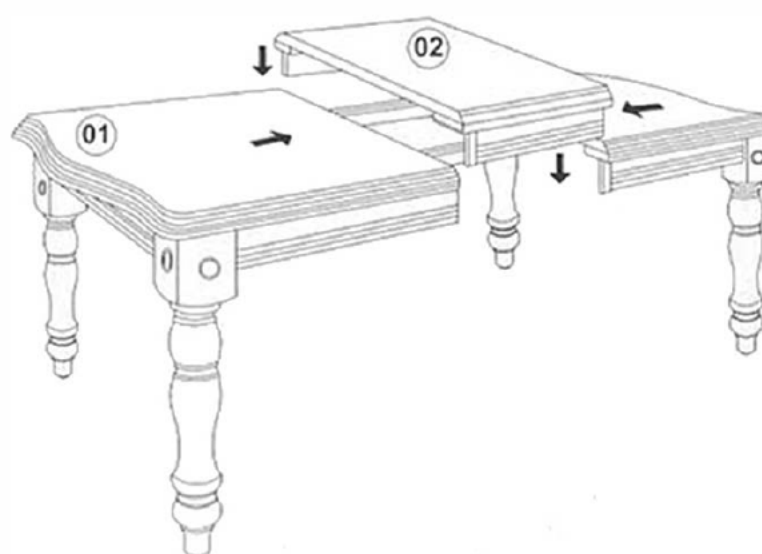


- 4** Turn the assembled Table over carefully, pull the Table Top to both side.



Unlock the Cam Lock under the table before Center Leaf assembled then lock it.

- 5** Push the side Center Top at both end close to the until it leaves no empty spaces.



01		Table Top	1
02		Center Leaf	1
03		Table Leg	4

List of hardware For 1 Set

a		Flat Washer	8
b		Spring Washer	8
c		Hexagon Nut	8
d		Spanner	1

Important Notes

- Keep all hardware parts out of reach of children.
- Must tighten screws periodically. With use screws will become loose. Check tightness of all screws every 6-8 weeks.
- Don't attempt to repair or modify parts that are broken or defective. Please contact the store immediately.
- Do not tighten all screw / bolt until all completely assembled.

