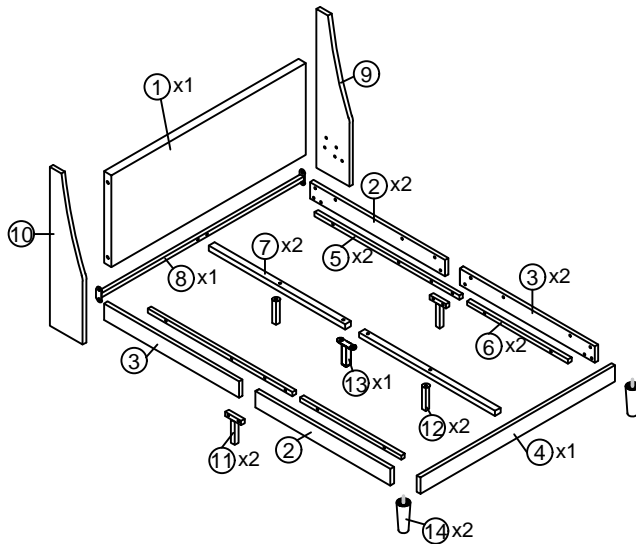
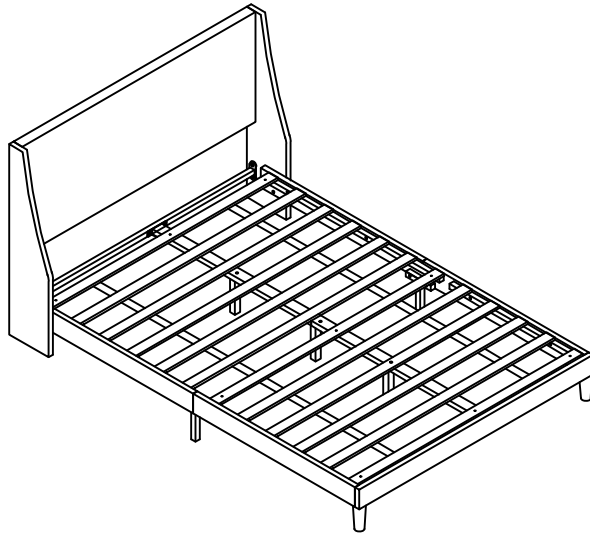


ASSEMBLY INSTRUCTION

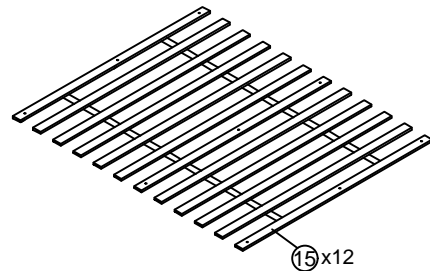


TIPS

1. Please read the instructions fully before assembly. These instructions include important information which could ensure correct assembly. We have been working on providing high quality products for you. However, in the rare instance that your product is defective, missing parts or there are some issues, please don't hesitate to contact our customer service to submit parts requirements, assembly suggestion, or warranty claims, and we will give the best solution as soon as possible. If necessary, we need you to provide some more clear pictures of the issue.

2. Insert the screws in holes and tighten the screws, but not too tight, 70%~80% is ok, finally tighten all the screws. If some issues happened that some screws can not target to the hole or some parts are difficult to install, please adjust the tightness of the screws.

3. 2 people are recommended to finish

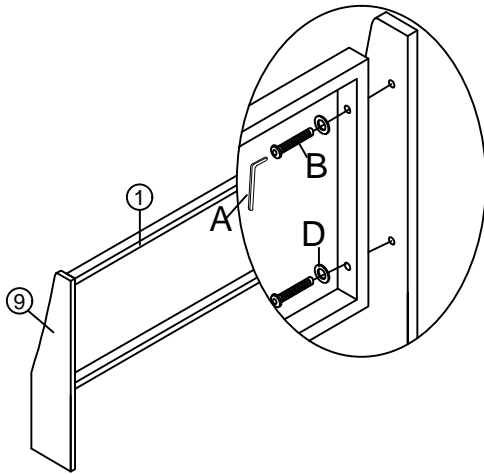


Parts List			Hardware List		
NO	ITEM	QTY	NO	ITEM	QTY
1	Headboard	1	A	Allen Key	1
2	Side Rails	2	B	Bolts (M8x40mm)	30
3	Side Rails	2	C	Bolts (M8x18mm)	22
4	Footboard	1	D	Washer	18
5	Side Rails Support Bar	2	E	"7" Connector	2
6	Side Rails Support Bar	2	F	Coner Connector	2
7	Centre Support Bar	2	G	Nuts	4
8	Cross Bar	1	H	Spanner	1
9	Side Head Board	1	I	Connection Sheets	2
10	Side Head Board	1	J	Nails (M4x30mm)	9
11	Siderail Support Legs	2			
12	Middle Support Legs	2			
13	Connected Support Leg	1			
14	Bed Legs	2			
15	Slats	12			

Attention: Do not tighten the screws before completing the entire installation. If you have any difficulty with the installation process, please feel free to contact us.

Step 1 x2

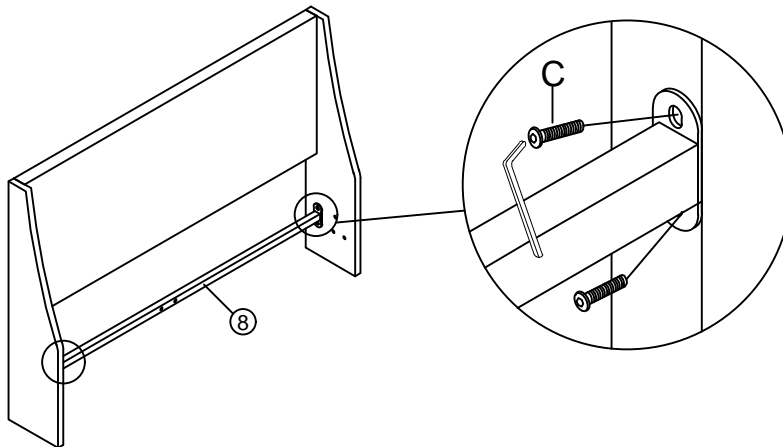
Fix the Side Headboard ⑨ / ⑩ to the Headboard ① with Bolt B and Washer D by using Allen Key A.



A Allen Key x 1	B Bolts x 4 M8X40mm	D Washer x 4
-----------------	------------------------	--------------

Step 2

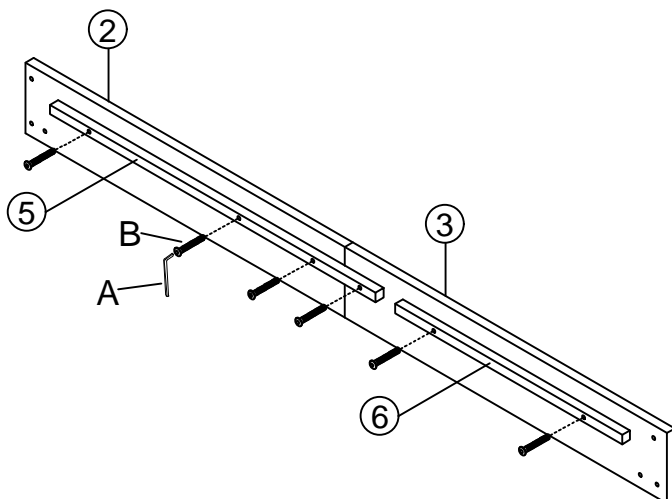
Fix the Cross Bar ⑧ to the Side Headboard with Bolt C by using Allen Key A.



C Bolts x 4 M8X18mm	A Allen Key
------------------------	-------------

Step 3 x2

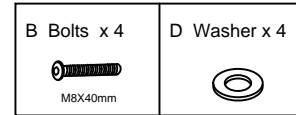
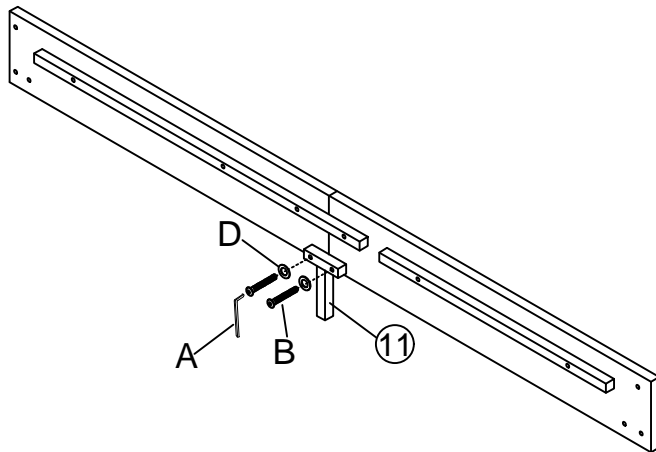
Connect Side Rail ② and ③ with Siderail Support Bar ⑤ and ⑥ by using Allen Key A and Bolt B.



B Bolts x 12 M8X40mm	A Allen Key
-------------------------	-------------

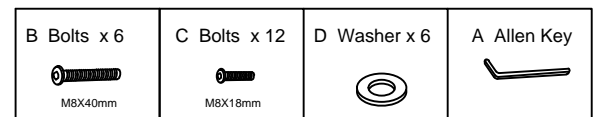
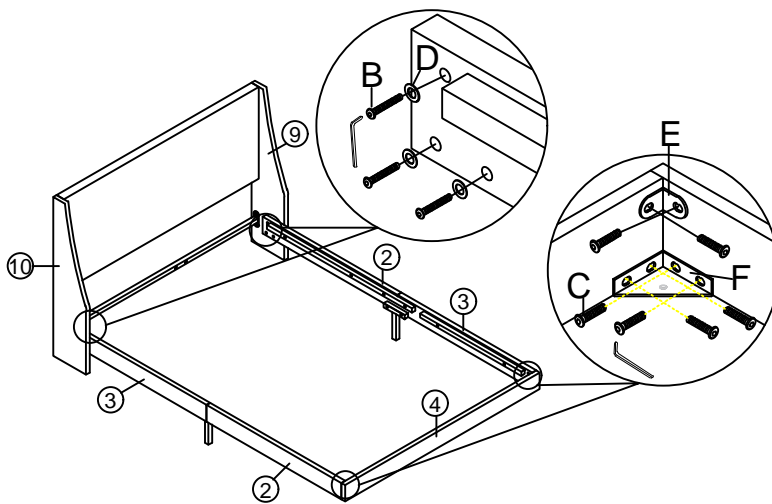
Step 4 x2

Fix the Siderail Support Leg ⑪ to the assembled Siderail with Bolt B and Washer D by using Allen Key A.



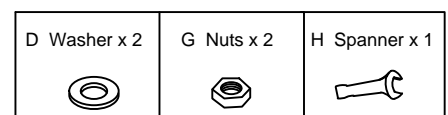
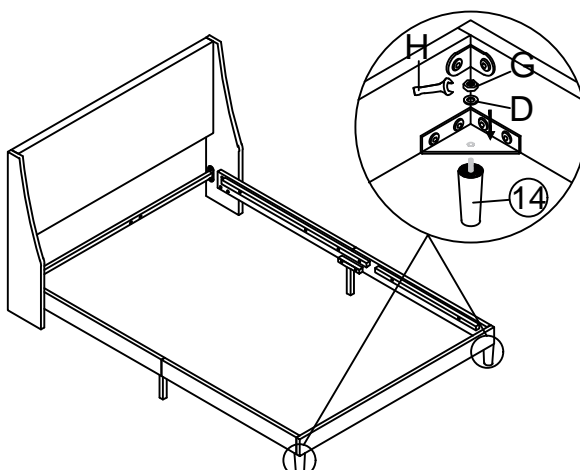
Step 5

Fix the assembled Siderail to the Side Headboard ⑨ and ⑩ with Bolt B and Washer D by using Allen Key A. Fix the Footboard ④ to the assembled Siderail with Bolts C by using Allen Key A.



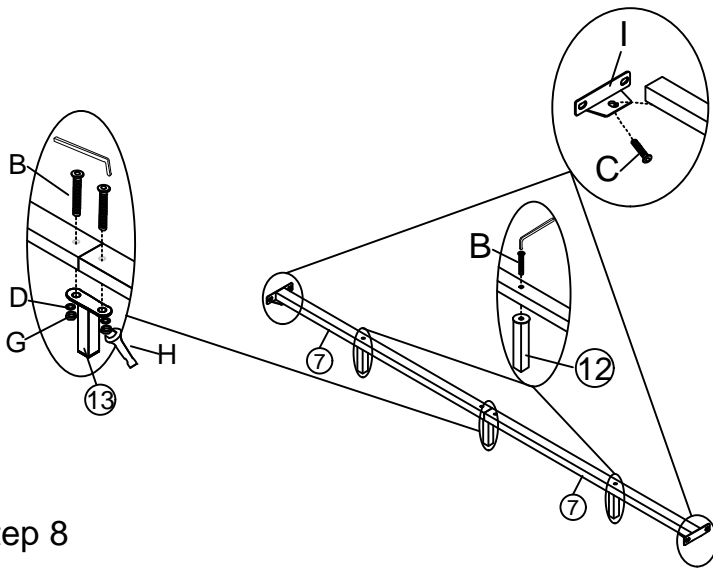
Step 6





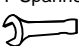
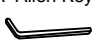
Fix the Bed Legs ⑭ to the Corner Connector with Nut G and Washer D by using Spanner H.



Step 7

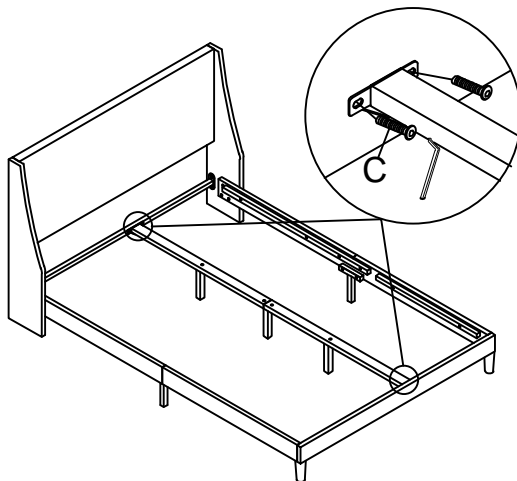
Fix the Middle Support Leg ⑫ to the Center Support Bar with Bolt B by using Allen Key A. Fix Connected Support Leg ⑬ to the Center Support Bar with Bolt B, Washer D and Nuts G by using Spanner H and Allen Key A. Fix Connction Sheets I to the center Support Bar with Bolt C by using Allen Key A.





B Bolts x 4  M6X40mm	C Bolts x 2  M8X18mm	D Washer x 2 	G Nuts x 2 
		H Spanner 	A Allen Key 

Step 8

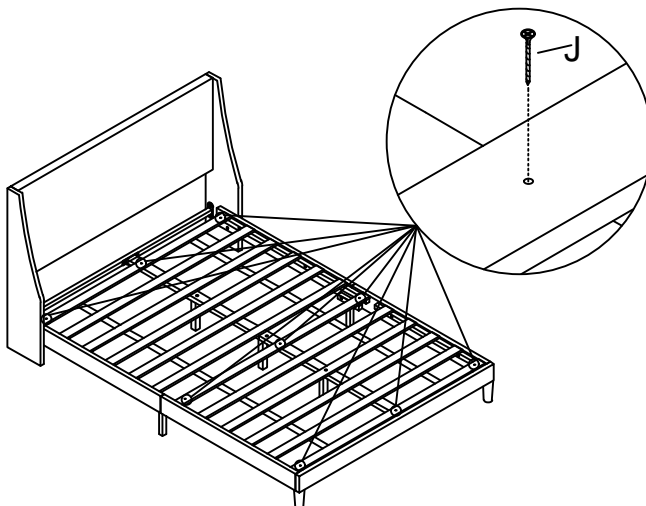
Fix the Center Support Bar to the Cross Bar and footboard with Bolt C by using Allen Key A.






C Bolts x 4  M8X18mm	A Allen Key 
--	---

Step 9

Fix the Slats to the Siderail Support Bar with Nails J by using Electric Drill or Screw Driver.



J Bolts x 9  M4X30mm		
--	---	---