

ASSEMBLY INSTRUCTIONS



Sectional

ASSEMBLY INSTRUCTIONS

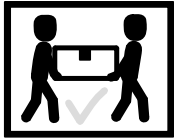
ASSEMBLY TIPS:

1. Remove hardware from box and sort by size.
2. Please check to see that all hardware and parts are present prior to start of assembly.
3. Please follow attached instructions in the same sequence as numbered to assure fast & easy assembly.



WARNING!

1. Don't attempt to repair or modify parts that are broken or defective. Please contact the store immediately.
2. This product is for home use only and not intended for commercial establishments.



ASSEMBLY TIME

3 MINUTES

PARTS IDENTIFICATION

A LEFT ARM CHAIR
BASE



1PC

B LEFT ARM CHAIR
BACK CUSHION



1PC

C LEFT ARM CHAIR
PILLOW



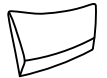
1PC

D LEFT ARM CHAIR
SEAT CUSHION



1PC

E LEFT ARM CHAIR
ARM CUSHION



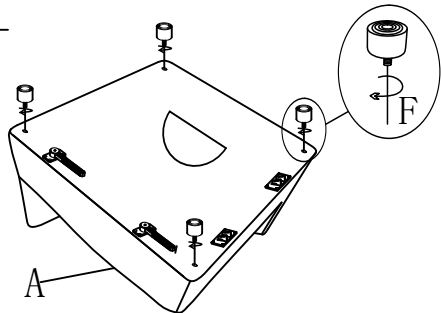
1PC

F LEFT ARM CHAIR
LEG

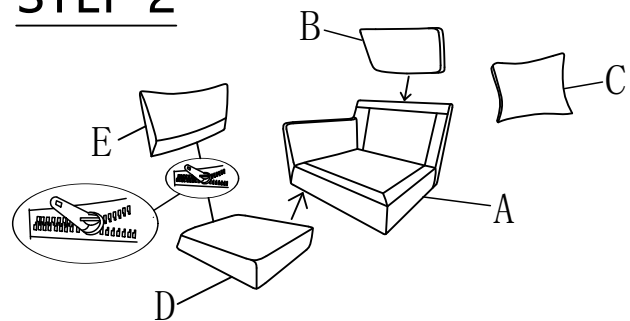


4PCS

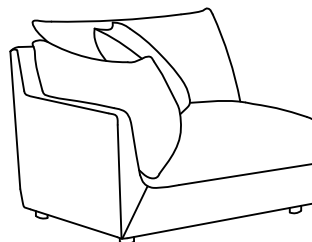
STEP 1



STEP 2



STEP 3



ASSEMBLY INSTRUCTIONS

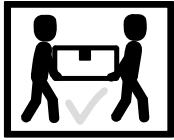
ASSEMBLY TIPS:

1. Remove hardware from box and sort by size.
2. Please check to see that all hardware and parts are present prior to start of assembly.
3. Please follow attached instructions in the same sequence as numbered to assure fast & easy assembly.



WARNING!

1. Don't attempt to repair or modify parts that are broken or defective. Please contact the store immediately.
2. This product is for home use only and not intended for commercial establishments.

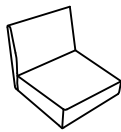


ASSEMBLY TIME

3 MINUTES

PARTS IDENTIFICATION

G ARMLESS CHAIR
BASE



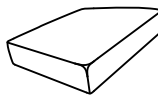
1PC

H ARMLESS CHAIR
BACK CUSHION



1PC

I ARMLESS CHAIR
SEAT CUSHION



1PC

J ARMLESS CHAIR
PILLOW



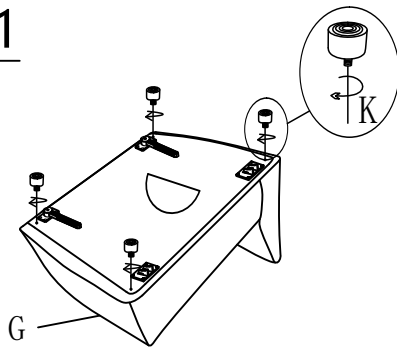
1PC

K ARMLESS CHAIR
LEG

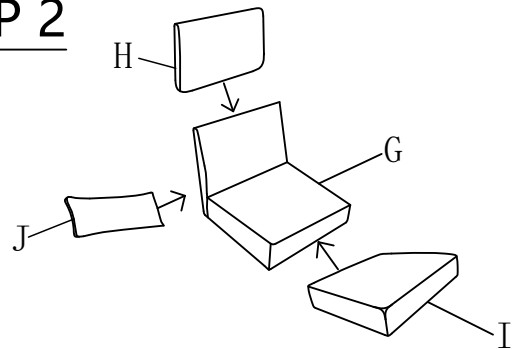


4PCS

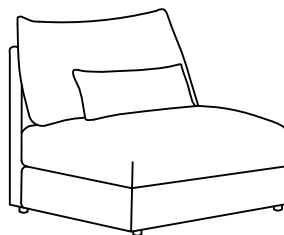
STEP 1



STEP 2



STEP 3



ASSEMBLY INSTRUCTIONS

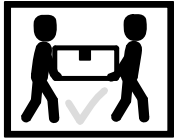
ASSEMBLY TIPS:

1. Remove hardware from box and sort by size.
2. Please check to see that all hardware and parts are present prior to start of assembly.
3. Please follow attached instructions in the same sequence as numbered to assure fast & easy assembly.



WARNING!

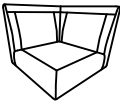


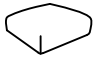

1. Don't attempt to repair or modify parts that are broken or defective. Please contact the store immediately.
2. This product is for home use only and not intended for commercial establishments.



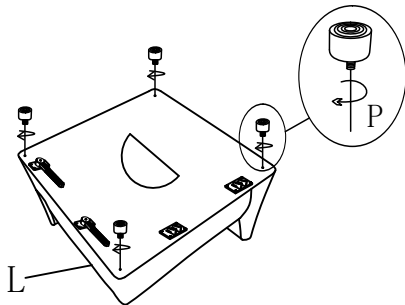
ASSEMBLY TIME

3 MINUTES

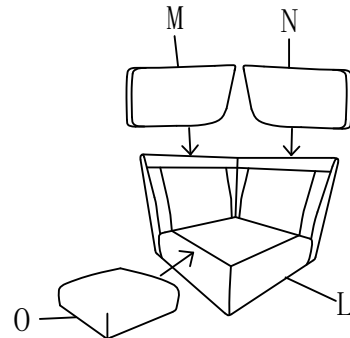
PARTS IDENTIFICATION

L	CORNER BASE		1PC	M	CORNER LEFT BACK CUSHION		1PC
N	CORNER RIGHT BACK CUSHION		1PC	O	CORNER SEAT CUSHION		1PC
P	CORNER LEG		4PCS				

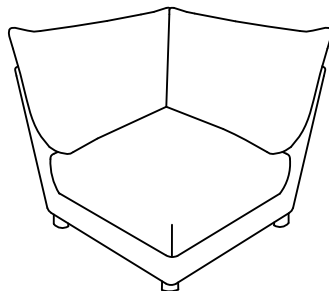
STEP 1



STEP 2



STEP 3



ASSEMBLY INSTRUCTIONS

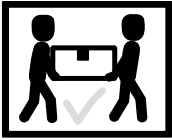
ASSEMBLY TIPS:

1. Remove hardware from box and sort by size.
2. Please check to see that all hardware and parts are present prior to start of assembly.
3. Please follow attached instructions in the same sequence as numbered to assure fast & easy assembly.



WARNING!

1. Don't attempt to repair or modify parts that are broken or defective. Please contact the store immediately.
2. This product is for home use only and not intended for commercial establishments.



ASSEMBLY TIME

3 MINUTES

PARTS IDENTIFICATION

Q RIGHT ARM CHAIR
BASE



1PC

R RIGHT ARM CHAIR
BACK CUSHION



1PC

S RIGHT ARM CHAIR
PILLOW



1PC

T RIGHT ARM CHAIR
SEAT CUSHION



1PC

U RIGHT ARM CHAIR
ARM CUSHION



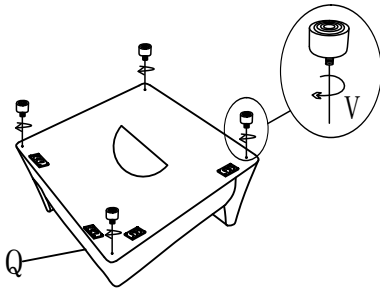
1PCS

V RIGHT ARM CHAIR
LEG

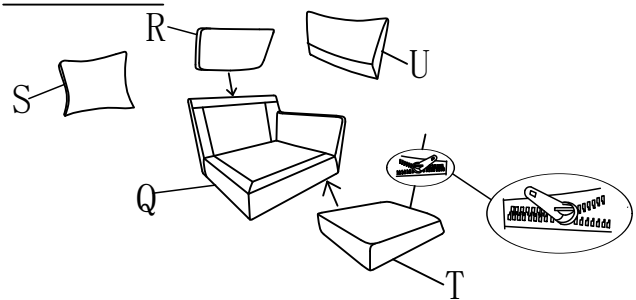


4PCS

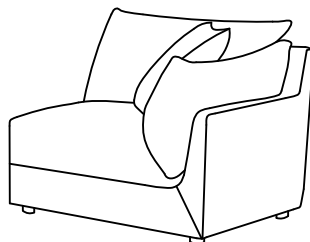
STEP 1

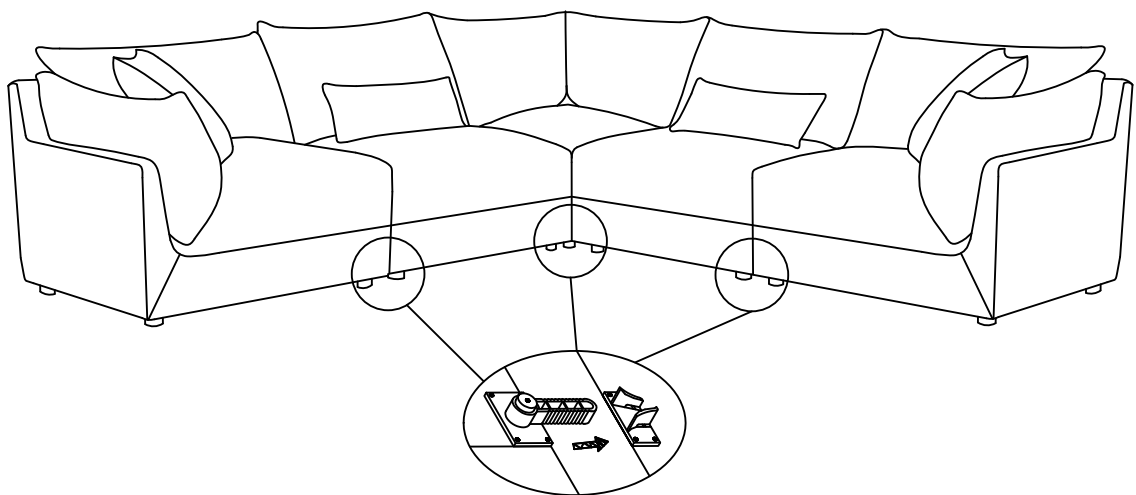
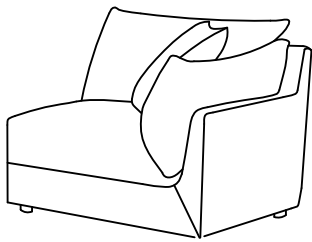
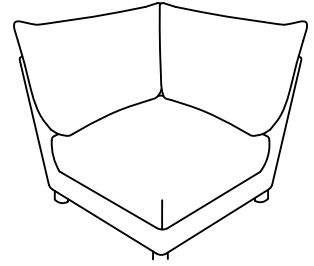
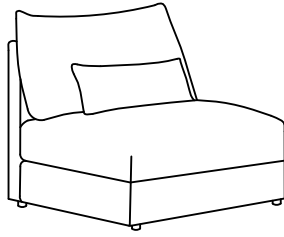
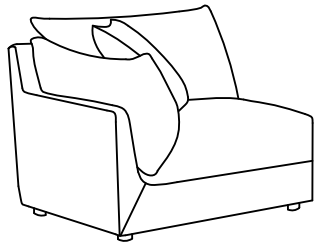


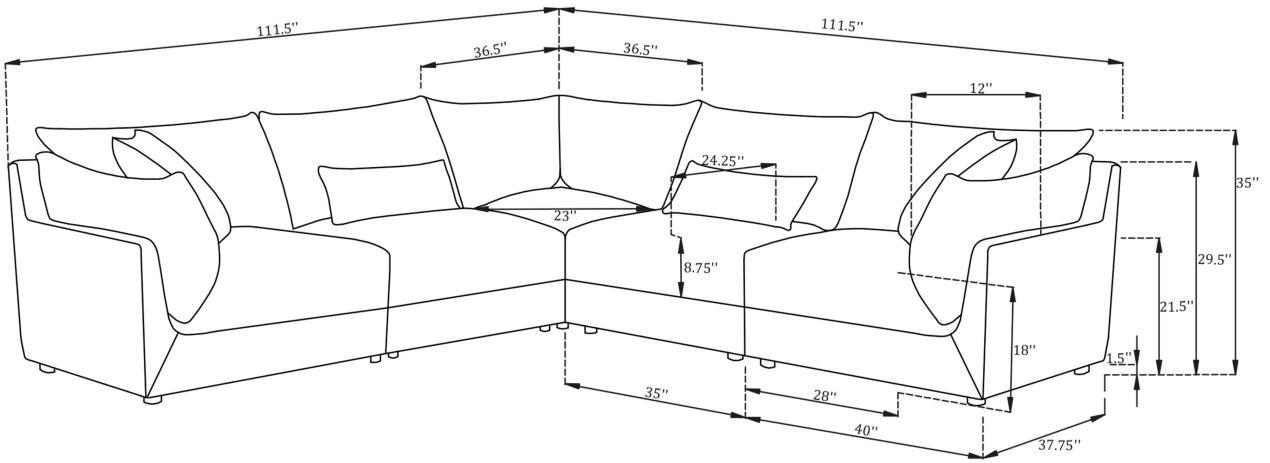
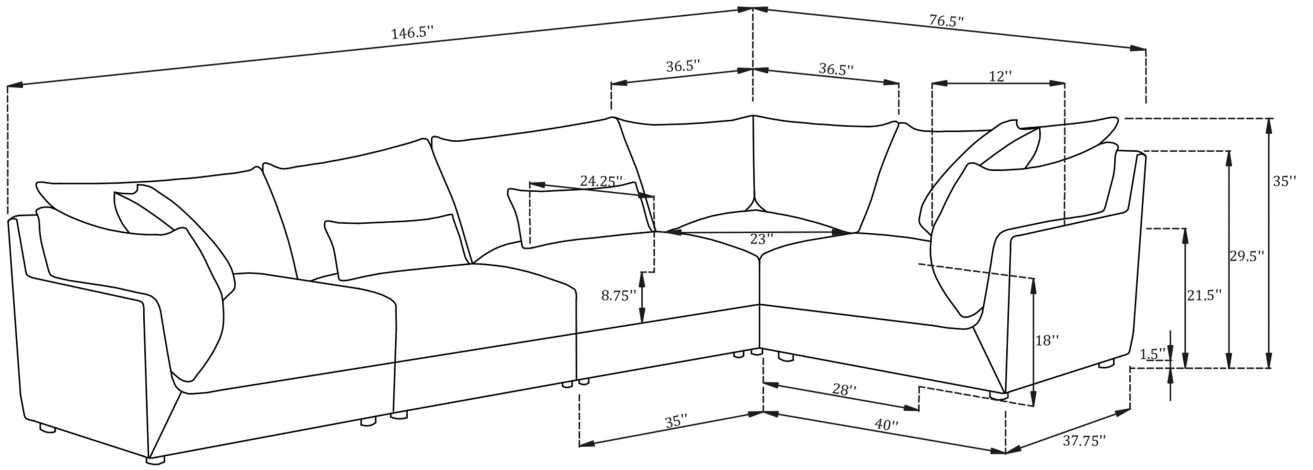
STEP 2



STEP 3







Note: Dimension tolerance $\pm 5\%$