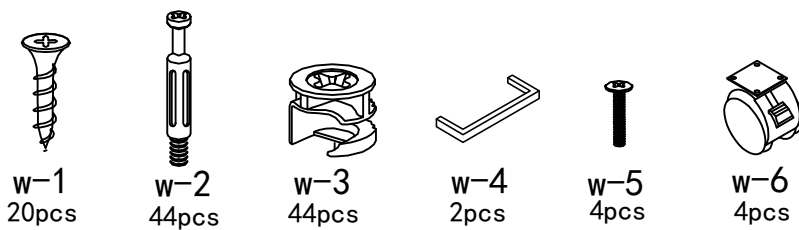
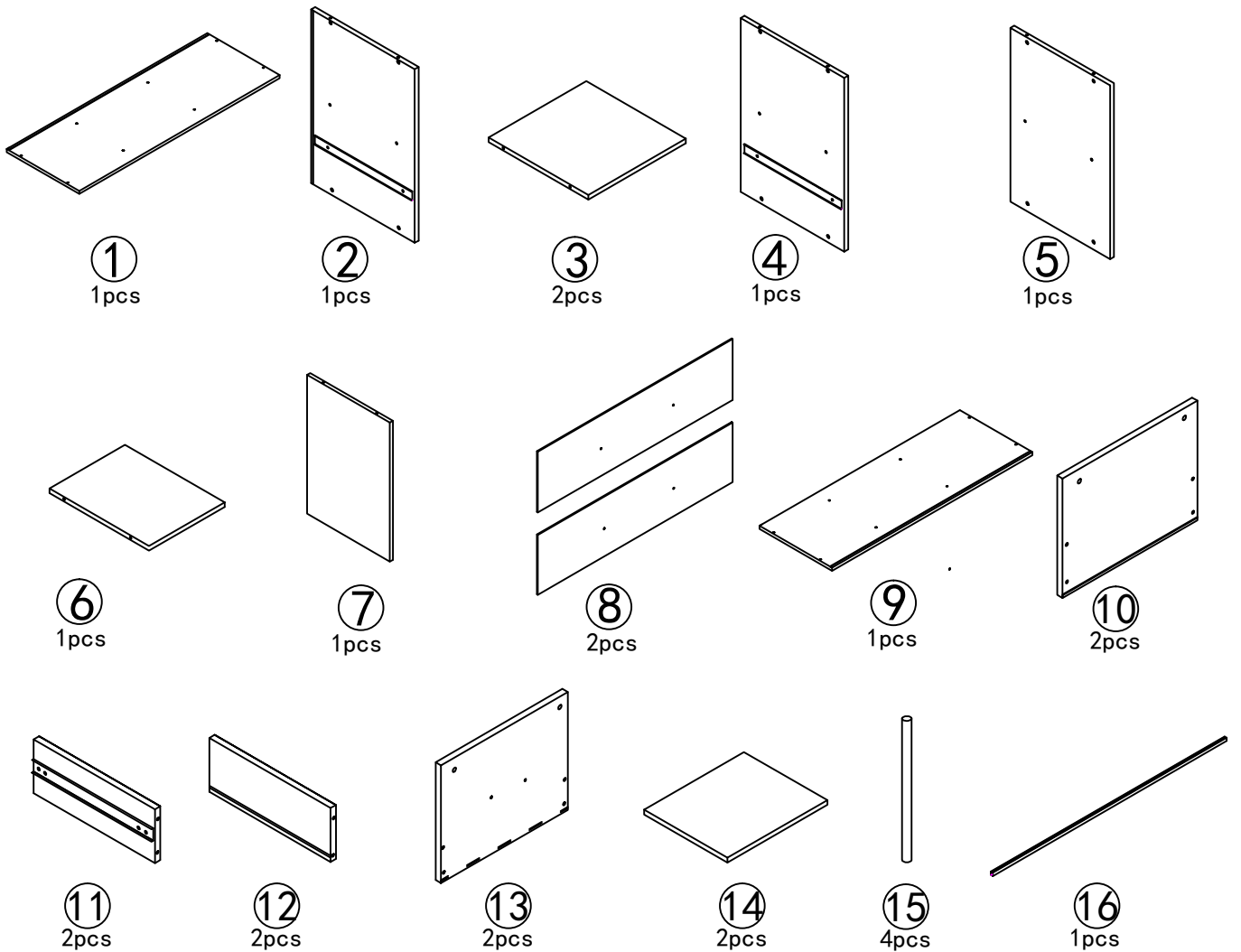
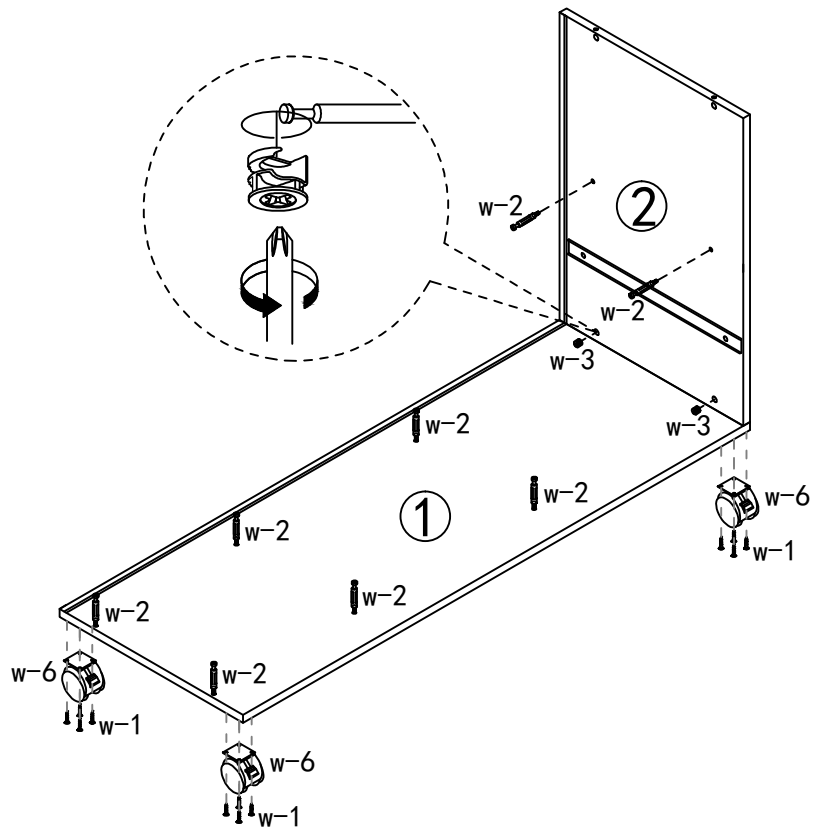


Accessories show



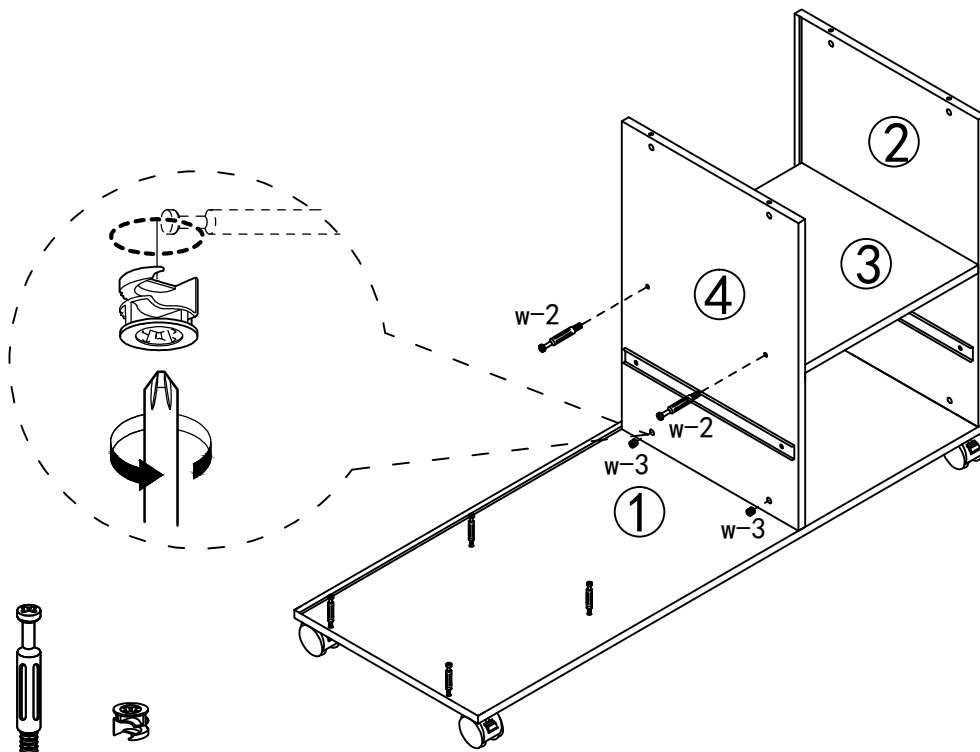
NOTES: Don't tighten screws completely at first, just in case parts were assembled wrong and need disassembled. Tighten screws at last when all parts are put together.

STEP 1



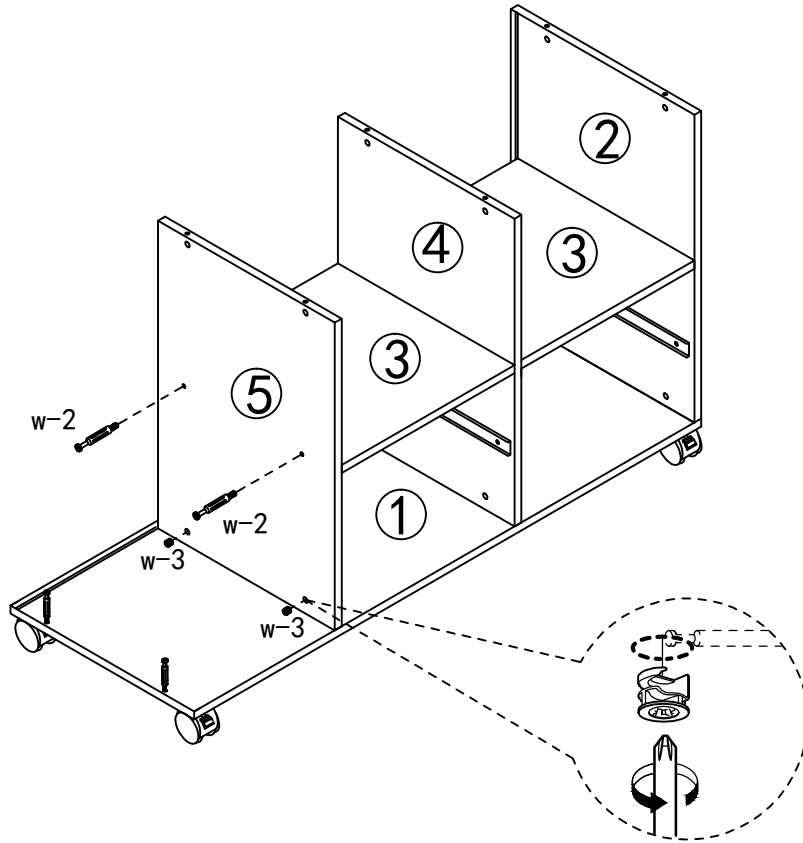
- w-1 16pcs
- w-6 4pcs
- w-2 10pcs
- w-3 2pcs

STEP 2



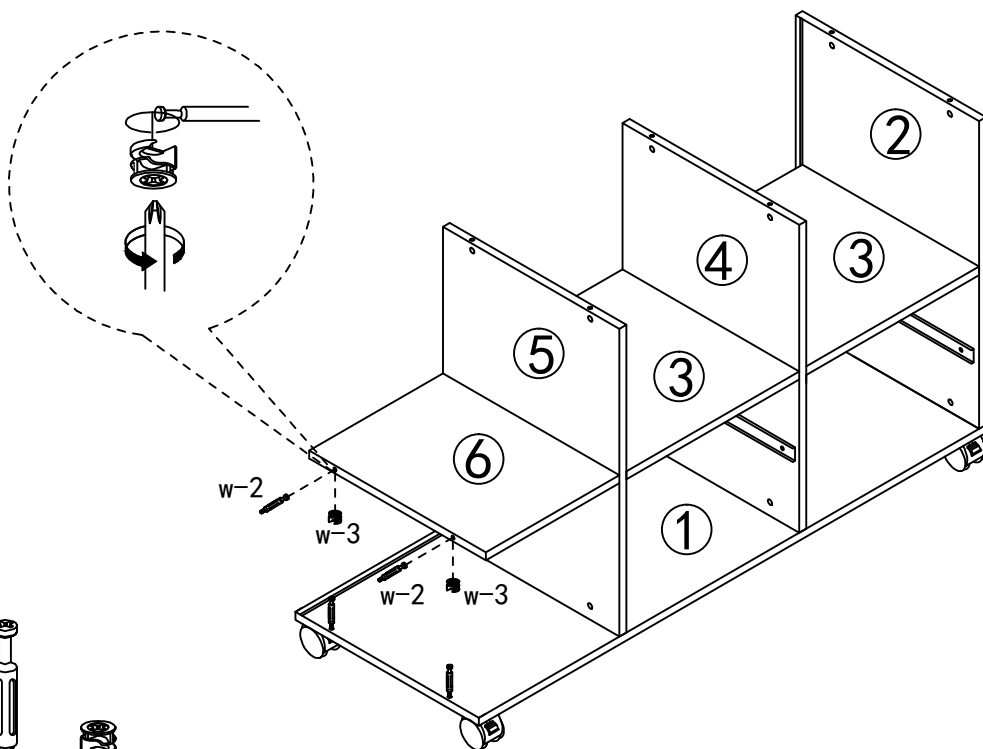
- w-2 4pcs
- w-3 4pcs

STEP 3



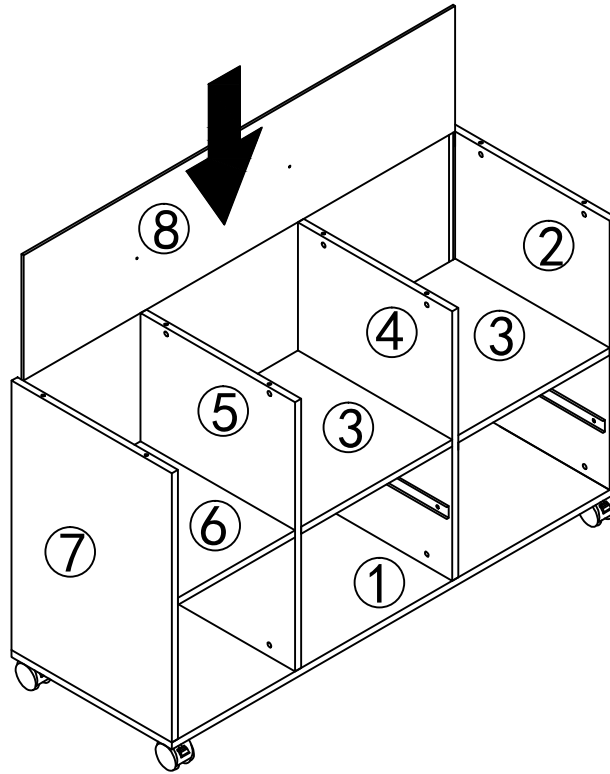
- w-2 4pcs
- w-3 4pcs

STEP 4

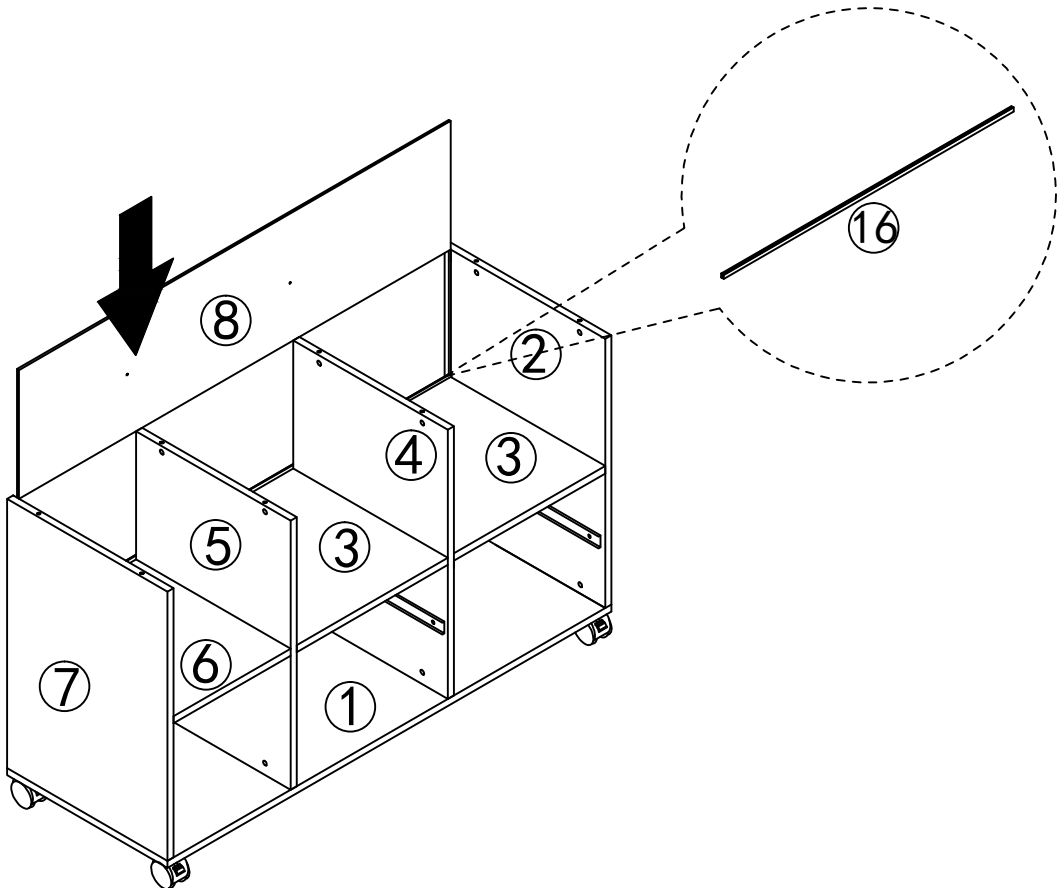


- w-2 2pcs
- w-3 2pcs

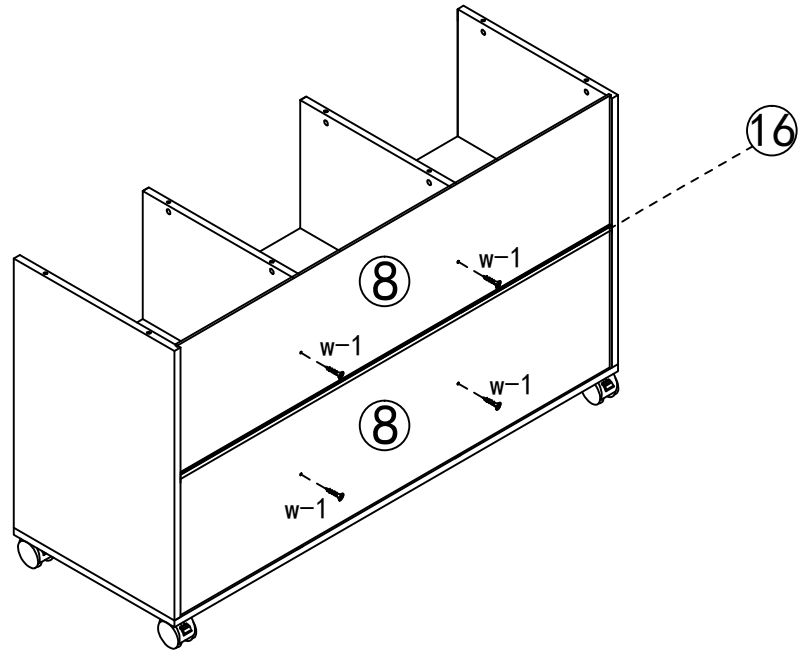
STEP
5



STEP
6

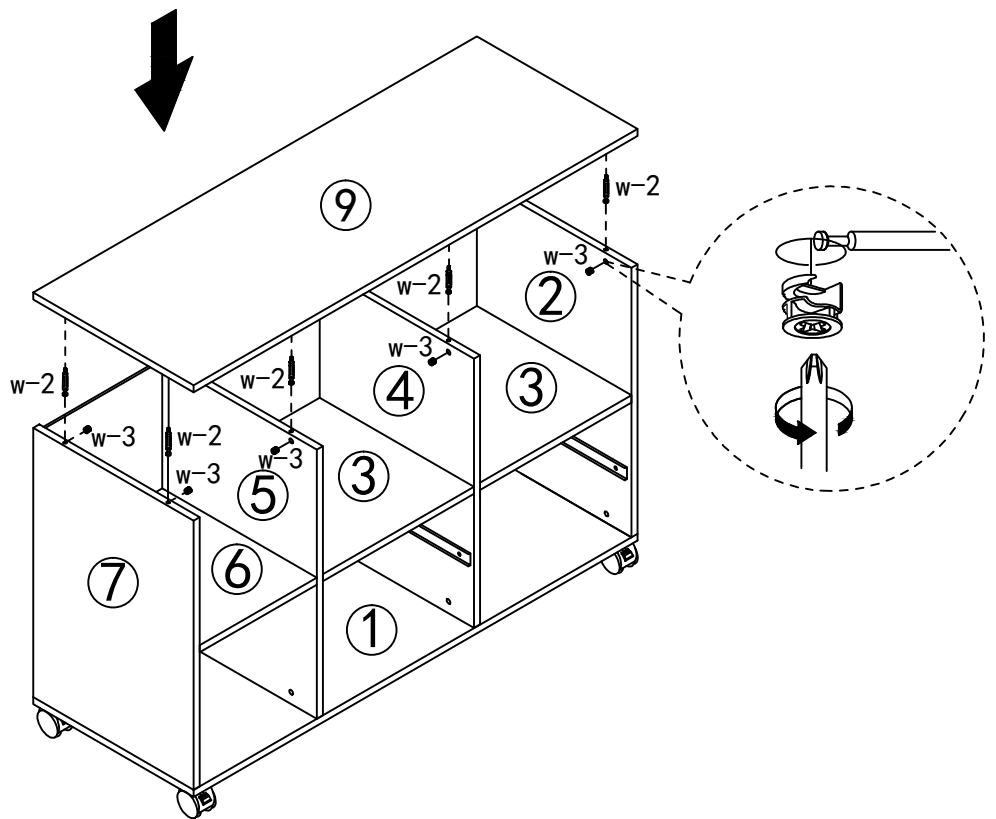


STEP 7



w-1
4pcs

STEP 8

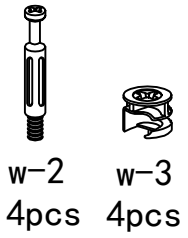
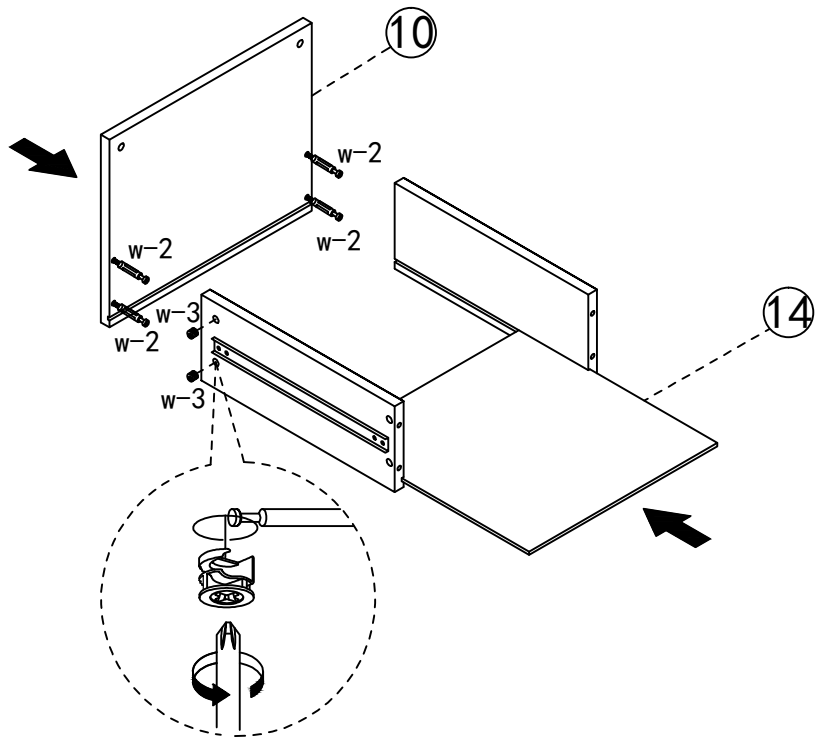


w-2
8pcs

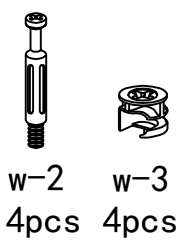
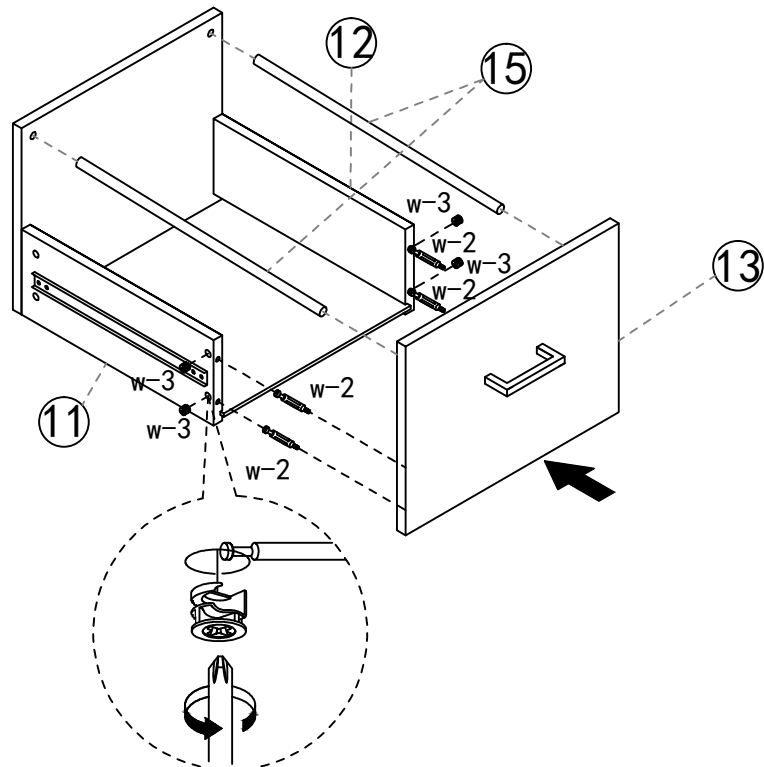


w-3
8pcs

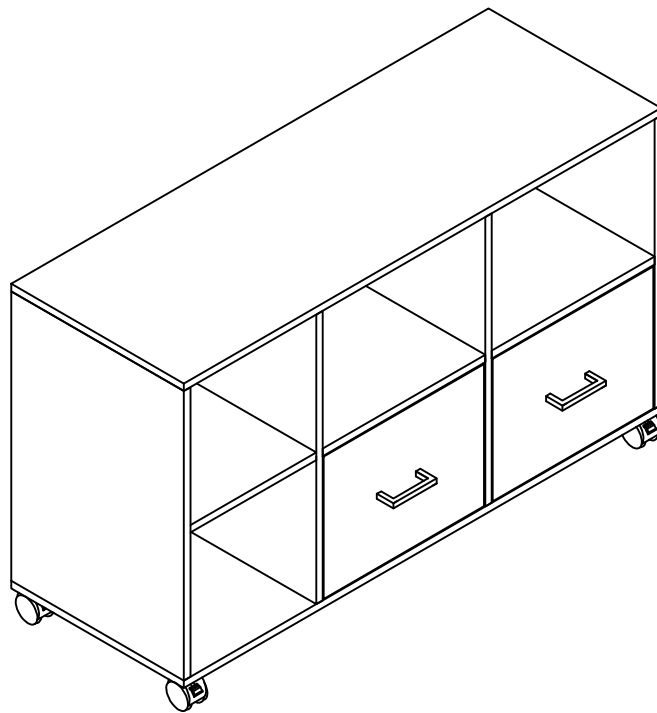
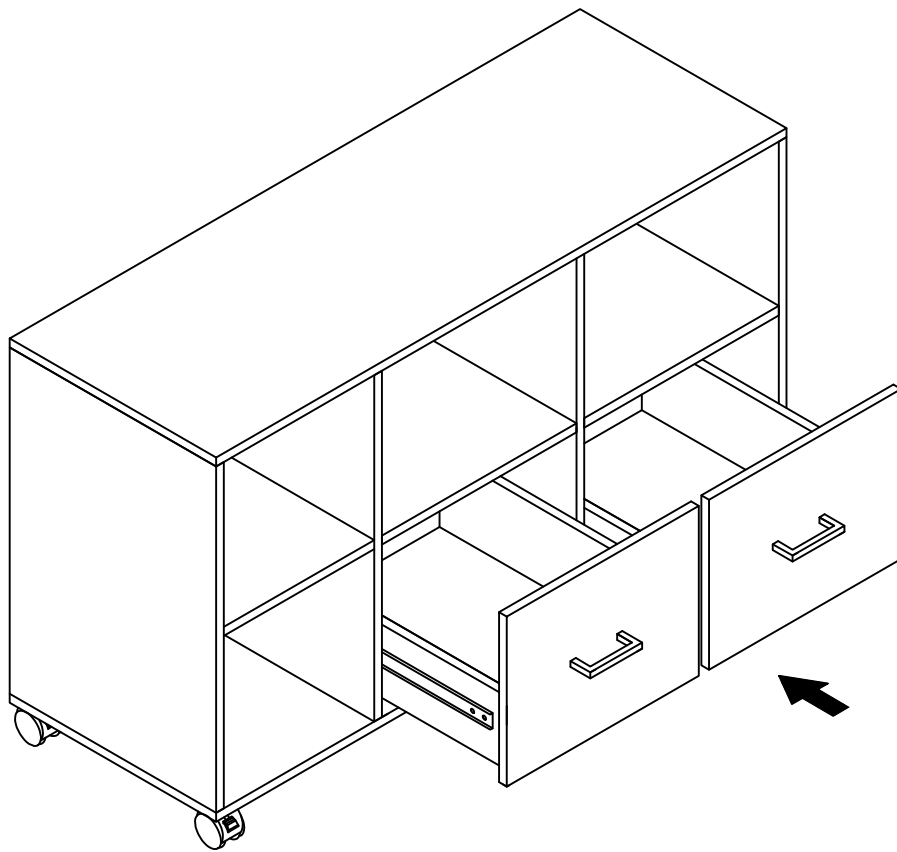
STEP 9



STEP 10



STEP
11



complete