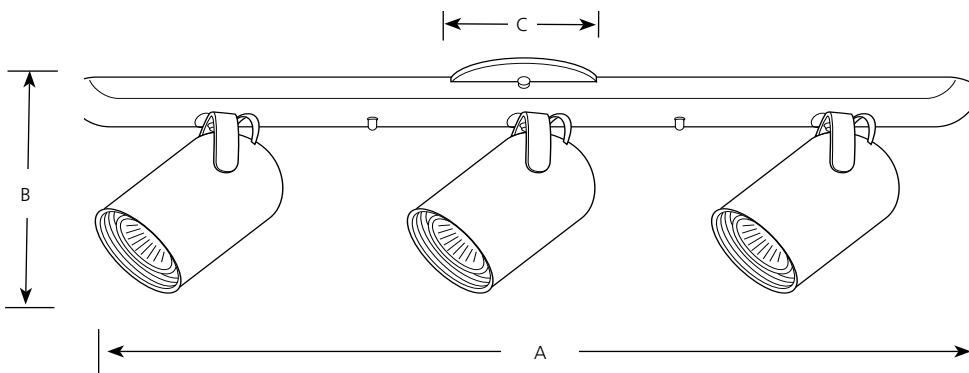




Type _____
 -09 -30 -174
 P6160

Catalog No.	Finish			Lamping	Dimensions (Inches)		
	Brushed Nickel	White	Urban Bronze		A	B	C
P6160	-09	-30	-174	3-50w PAR20	27	6-5/8	4-3/4



Specifications:

General

- Solid round back style
- Three heads mounted on a bar
- 180 degree vertical and 360 degree horizontal adjustment.
- Plated Brushed Nickel (-09), and painted white (-30) and Urban Bronze (-174) finishes
- Matching single lamp units available
- Steel construction

Mounting

- Wall or ceiling mounted
- Canopy covers a standard recessed 4" octagonal outlet box
- Mounting strap for outlet box included

Electrical

- Ceramic medium based sockets
- Pre-wired

Labeling

- UL-CUL damp location listed