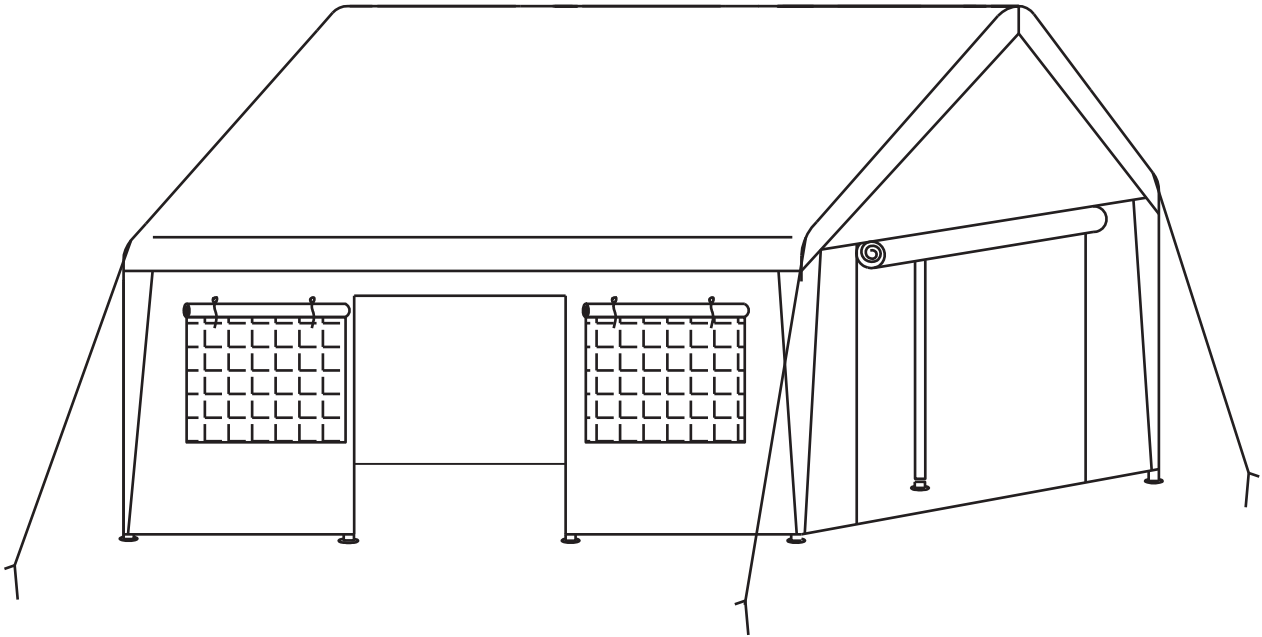


# INSTALLATION INSTRUCTIONS

## 13X25 ft Carport



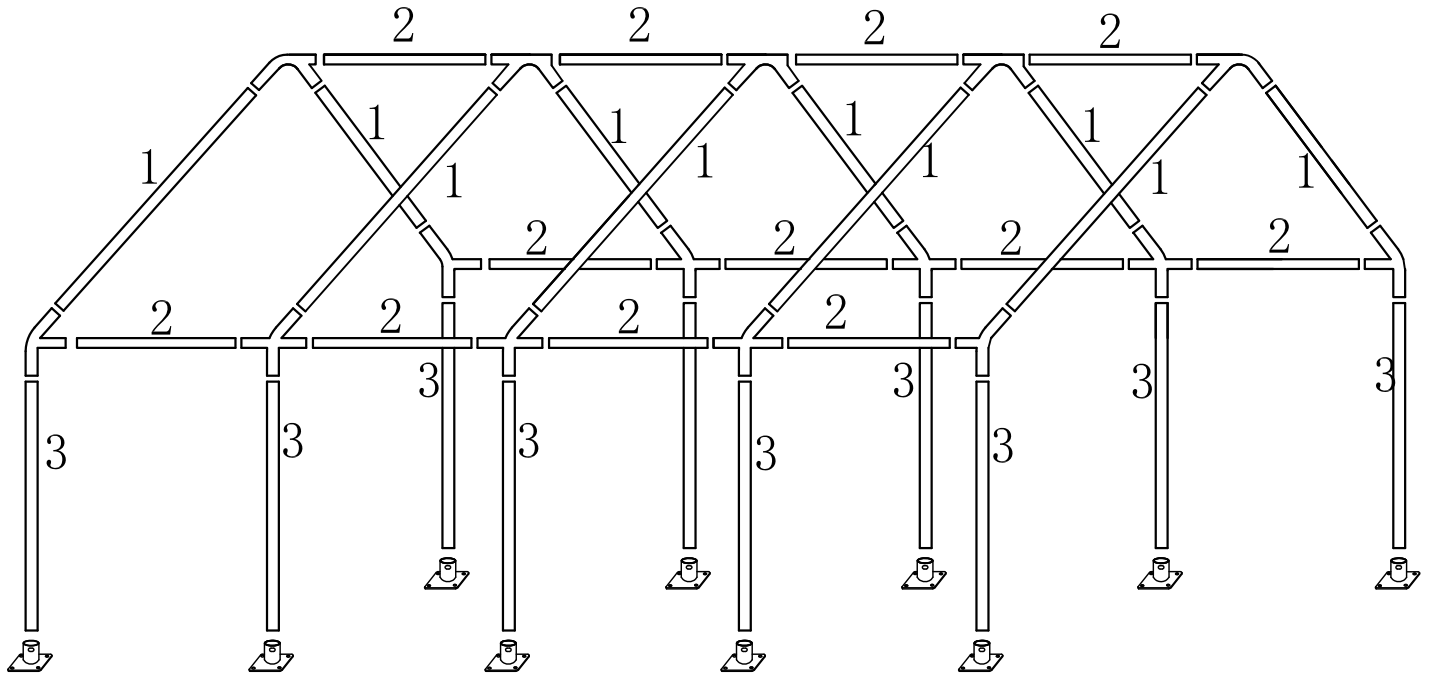
## CARPORT USER MANUAL

13 X 25 FT

 [VIWATCustomerService@gmail.com](mailto:VIWATCustomerService@gmail.com)

Our team is available 24/7 to help with any product questions. Contact us anytime!

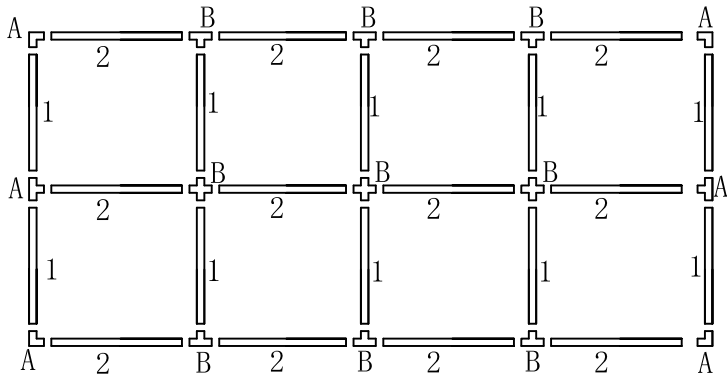
# 13' × 25'



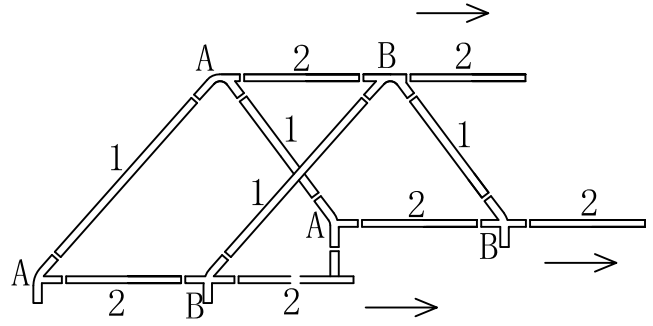
1#		10pcs
2#		12pcs
3#		10pcs
A		6pcs
B		9pcs
C		10pcs
	 φ 4. 13*160	40pcs
		4pcs
		4pcs
		68+4pcs

	 M8*50	10+1pcs
		1pc
		2pcs
		1pc
		1pc
	 M6/M8	2pcs
		2pcs

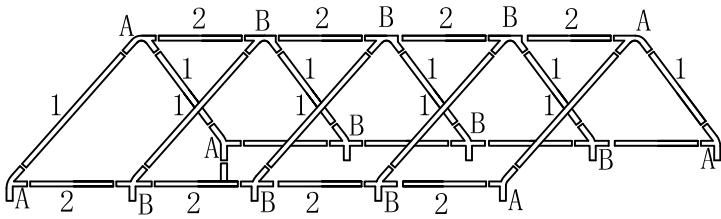
1.



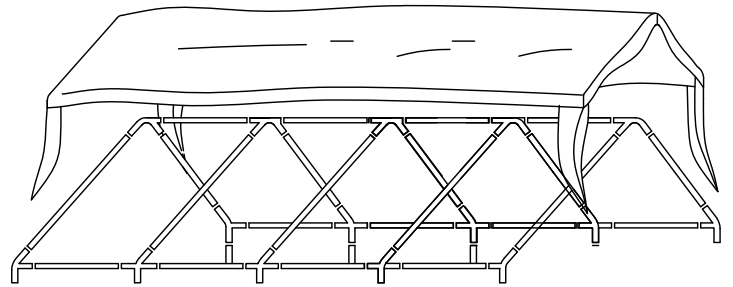
2.



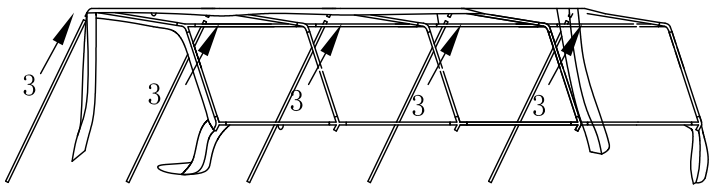
3.



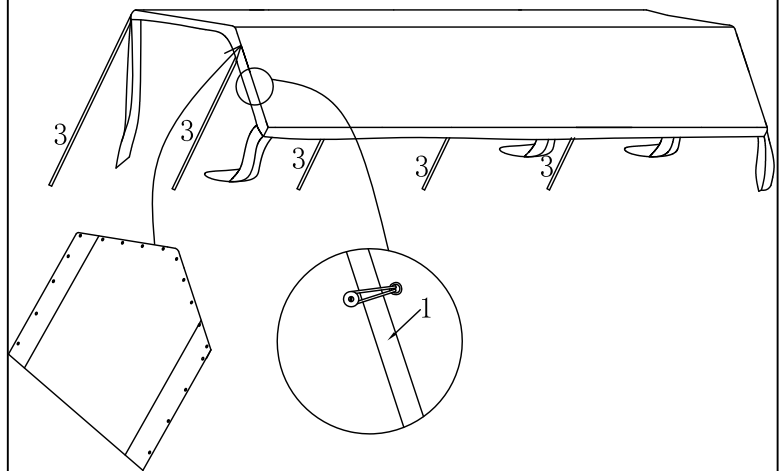
4.



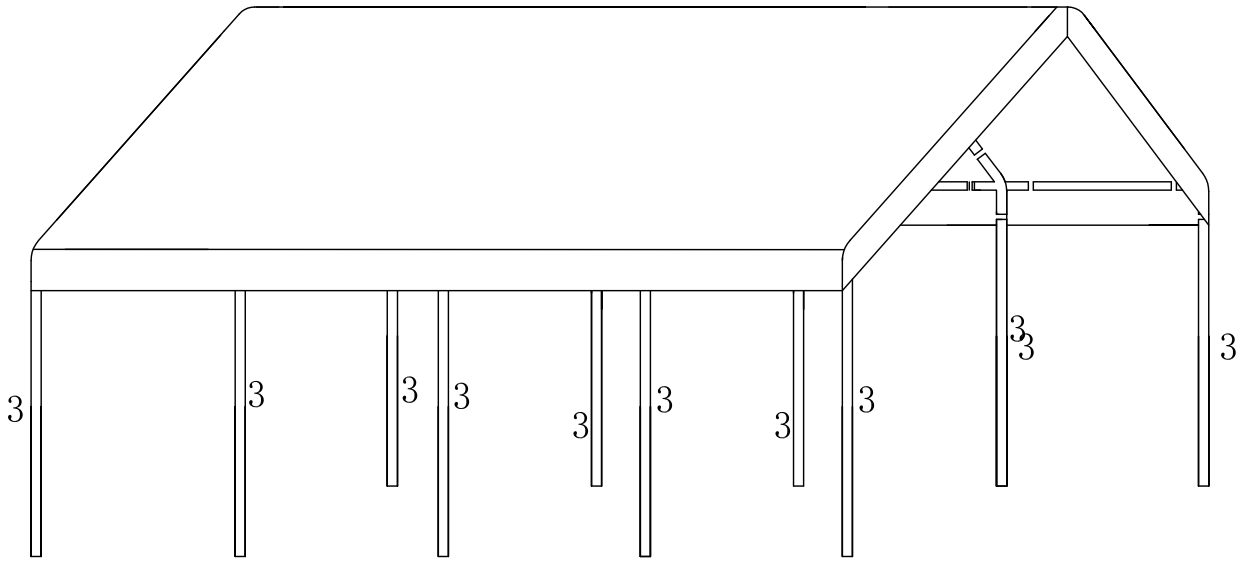
5.



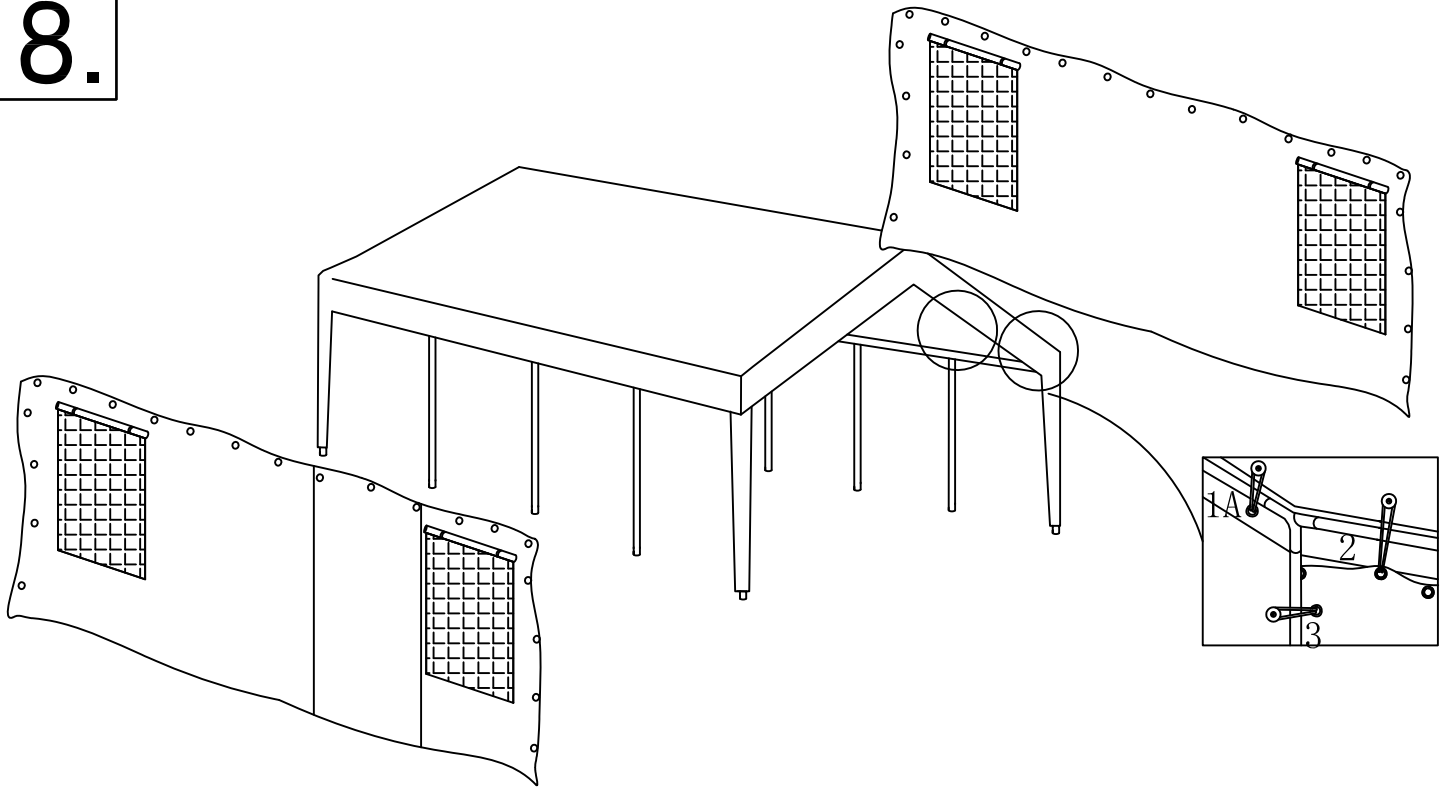
6.



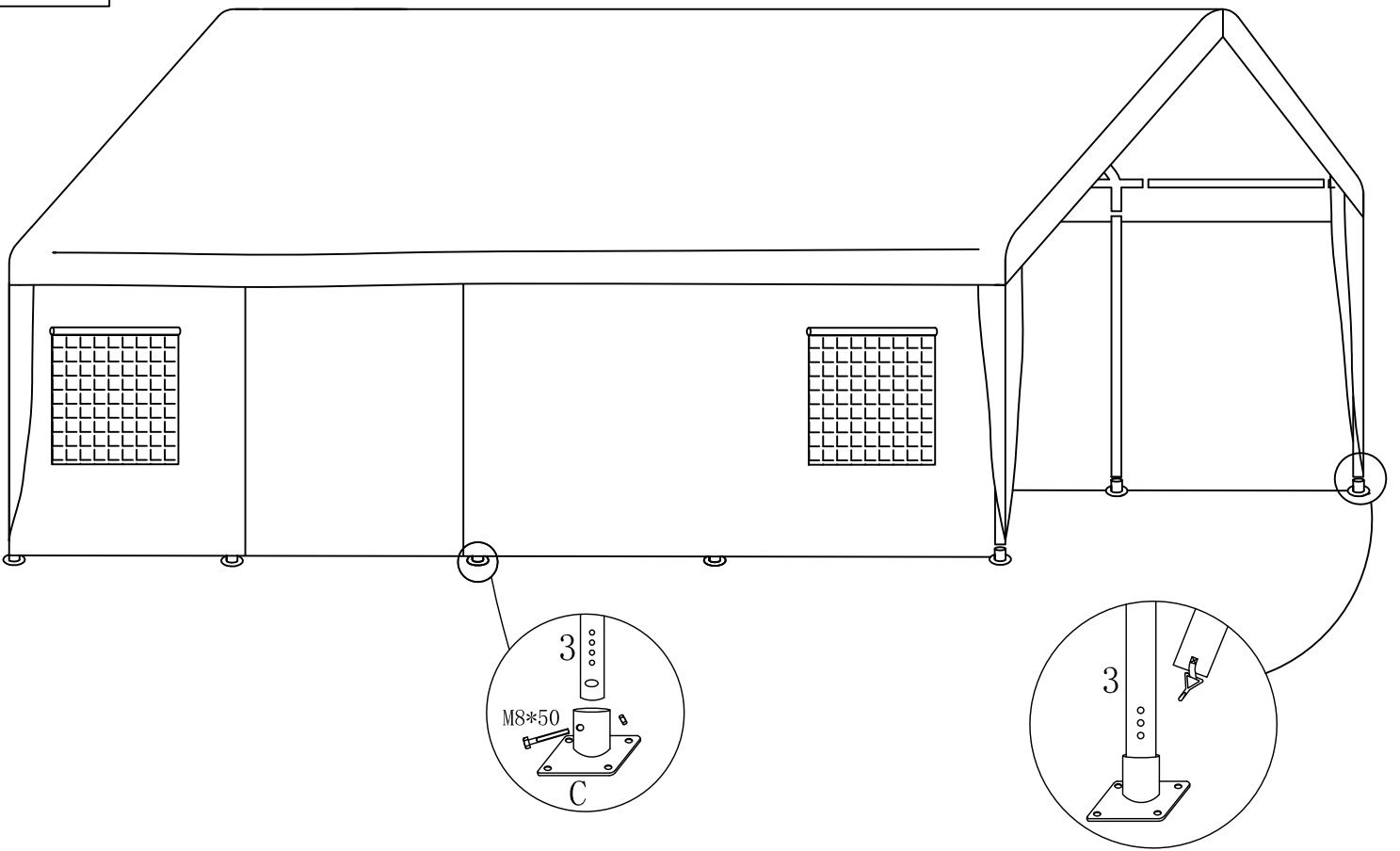
7.



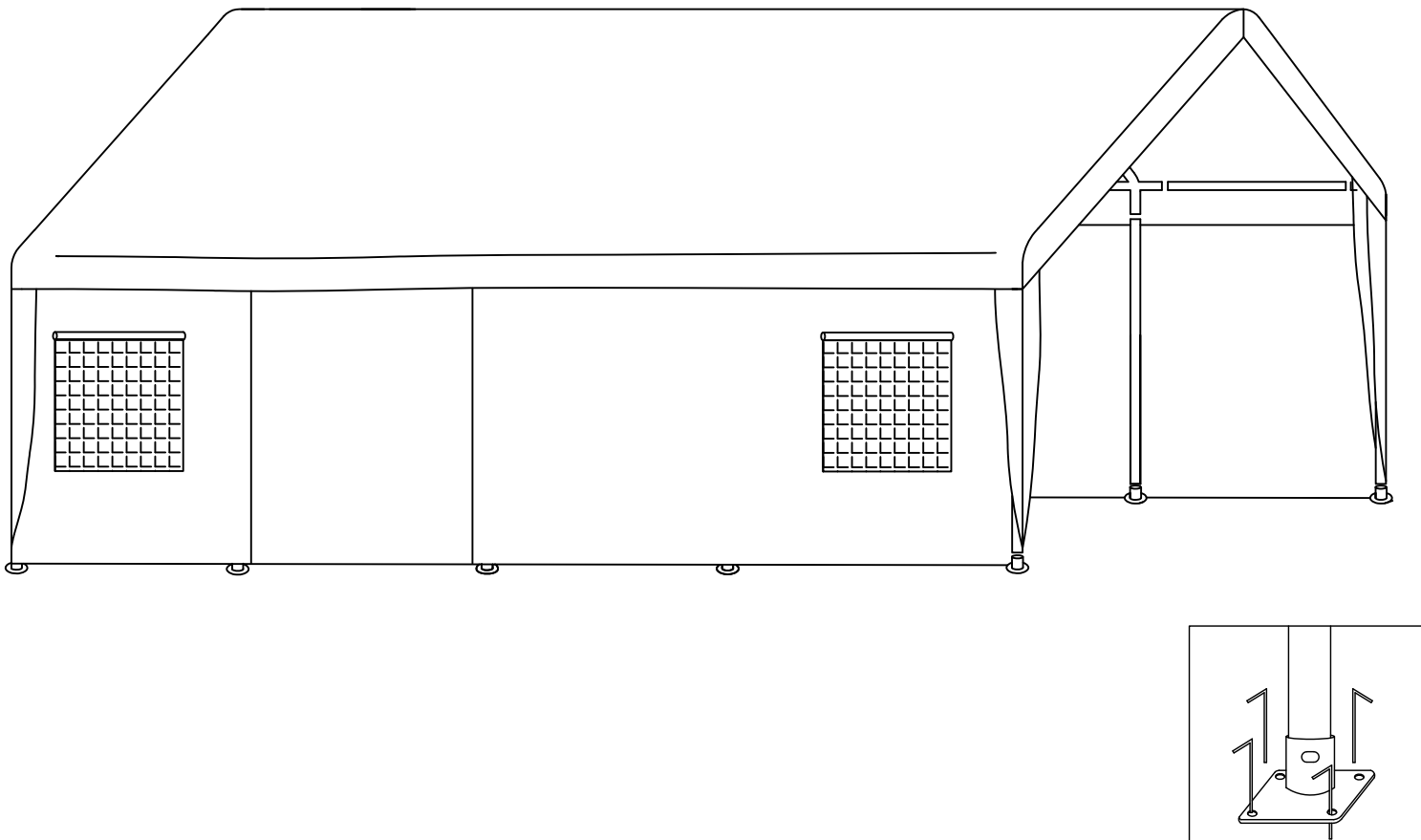
8.



9.



10.



11.

