

# Emily

Inspired by the transition of day and night, enjoying the beauty of nature



## Cabinet:

Material: MDF powder spraying new technology

Color: D001 white

Environmental protection grade:

Design: new plastic spraying technology with quartz sand basin, modern and simple style

Handle: T-shaped + 45° oblique hidden handle, precision design, completely invisible

Track: soundless open-close, more comfortable to use; anti-attribution and increased service life; DTC Asia No. 1 hardware brand

Patent: ABS material ultra-thin U-shape, orderly storage

Hanging system: H90

## Mirror:

Material: LED silver mirror

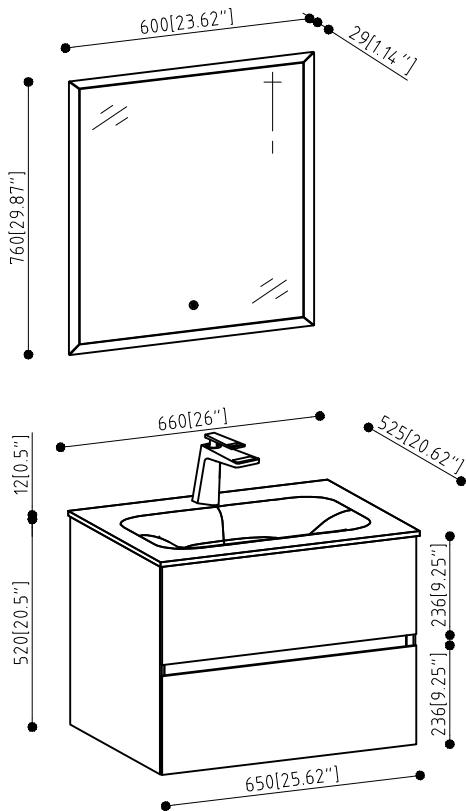
Features: High definition mirror with invisible light belt, turning on and off by touching, makes you safer at night.

## Basin:

Material: black quartz sand integrated basin

Color: matte black

Features: solid, scratch resistance, good at corrosion resistance



## Emily-30"

### Cabinet :

29.5\*20.5\*19.7inch (W\*D\*H)

GW :30kg NW:28 kg

CBM:0.27m<sup>3</sup>

### Basin :

29.87\*20.62\*6.3inch (W\*D\*H)

GW :16kg NW:15 kg

CBM:0.11m<sup>3</sup>

### Mirror :

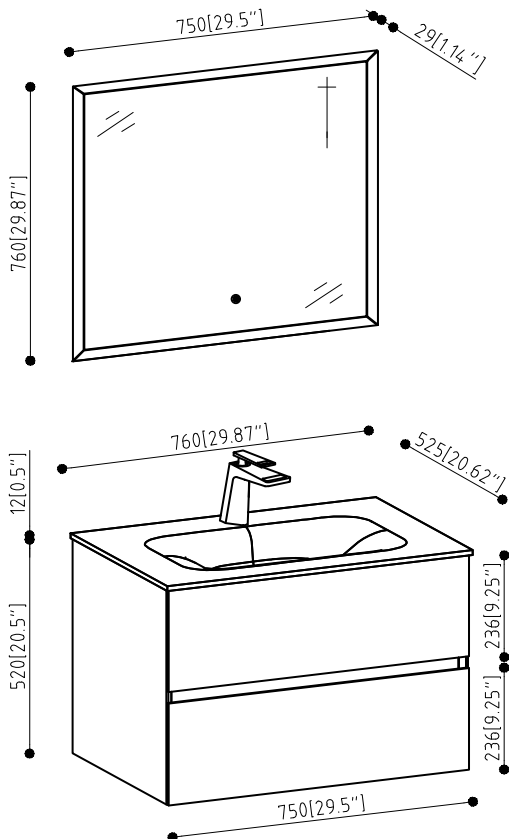
29.5\*1.14\*29.8inch (W\*D\*H)

GW :9kg NW:6.5kg

CBM:0.07m<sup>3</sup>

### Faucet:

6.3\*2.6\*6.7inch (W\*D\*H)



## Emily-30"

### Cabinet :

29.5\*20.5\*19.7inch (W\*D\*H)

GW :30kg NW:28 kg

CBM:0.27m<sup>3</sup>

### Basin :

29.87\*20.62\*6.3inch (W\*D\*H)

GW :16kg NW:15 kg

CBM:0.11m<sup>3</sup>

### Mirror :

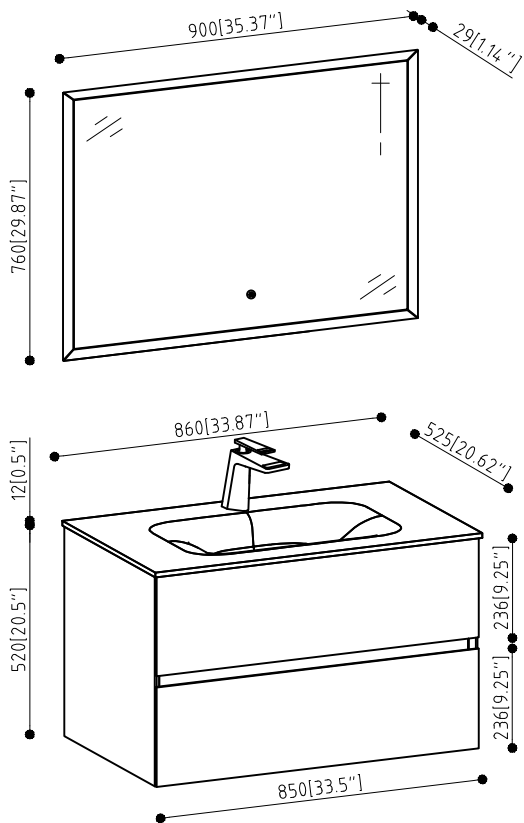
29.5\*1.14\*29.8inch (W\*D\*H)

GW :9kg NW:6.5kg

CBM:0.07m<sup>3</sup>

### Faucet:

6.3\*2.6\*6.7inch (W\*D\*H)



## Emily-34"

### Cabinet :

33.5\*20.5\*19.7inch (W\*D\*H)

GW :33kg NW:31kg

CBM:0.31m<sup>3</sup>

### Basin :

33.87\*20.62\*6.3inch (W\*D\*H)

GW :17kg NW:15kg

CBM:0.11m<sup>3</sup>

### Mirror :

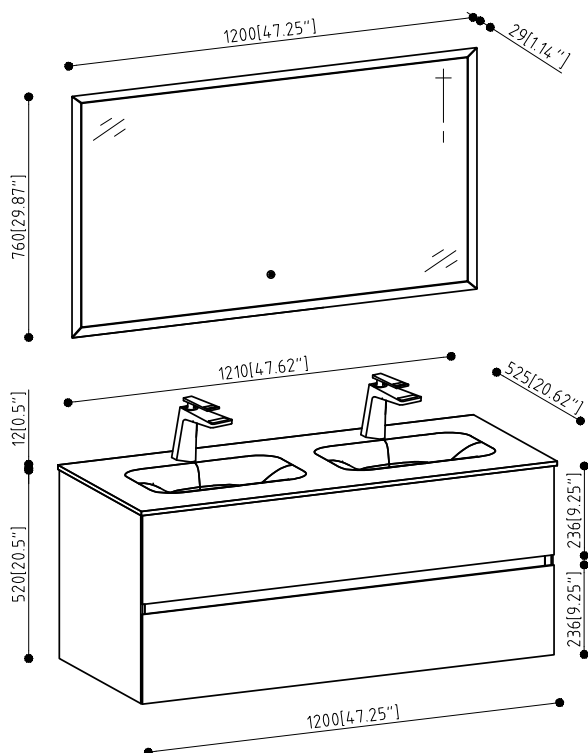
35.37\*1.14\*29.87inch (W\*D\*H)

GW :10.7kg NW:7.7kg

CBM:0.08m<sup>3</sup>

### Faucet:

6.3\*2.6\*6.7inch (W\*D\*H)



## Emily-48"

### Cabinet :

47.25\*20.5\*19.7inch (W\*D\*H)

GW :44kg NW:41kg

CBM:0.42m<sup>3</sup>

### Basin :

47.62\*20.62\*6.3inch (W\*D\*H)

GW :27.9kg NW:26kg

CBM:0.16m<sup>3</sup>

### Mirror :

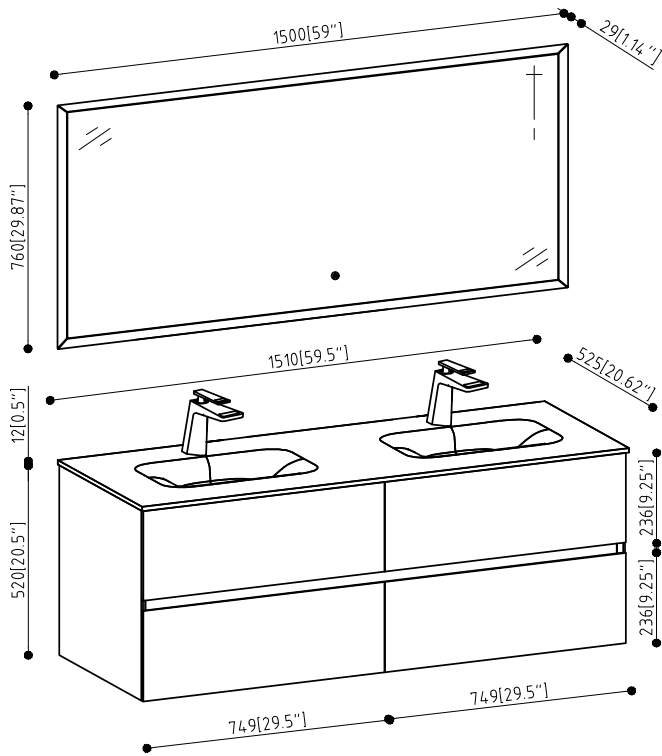
47.25\*1.14\*29.87inch (W\*D\*H)

GW :13kg NW:10kg

CBM:0.11m<sup>3</sup>

### Faucet:

6.3\*2.6\*6.7inch (W\*D\*H)



## Emily-60"

---

### Cabinet :

59\*20.5\*19.7inch (W\*D\*H)

GW :59kg NW:55kg

CBM:0.54m<sup>3</sup>

### Basin :

59.5\*20.62\*6.3inch (W\*D\*H)

GW :29.8kg NW:27.6kg

CBM:0.2m<sup>3</sup>

### Mirror :

59\*1.14\*29.87inch (W\*D\*H)

GW :16kg NW:12.5kg

CBM:0.13m<sup>3</sup>