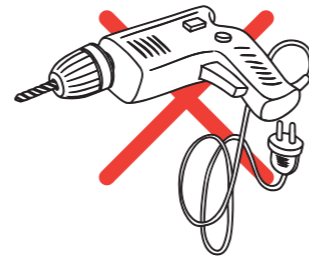
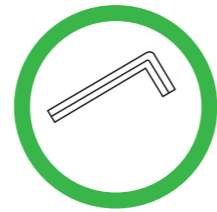


To deodorize the fabric  
leave the chair in a shady  
outside for 1-2 days.



Tighten bolts periodically.

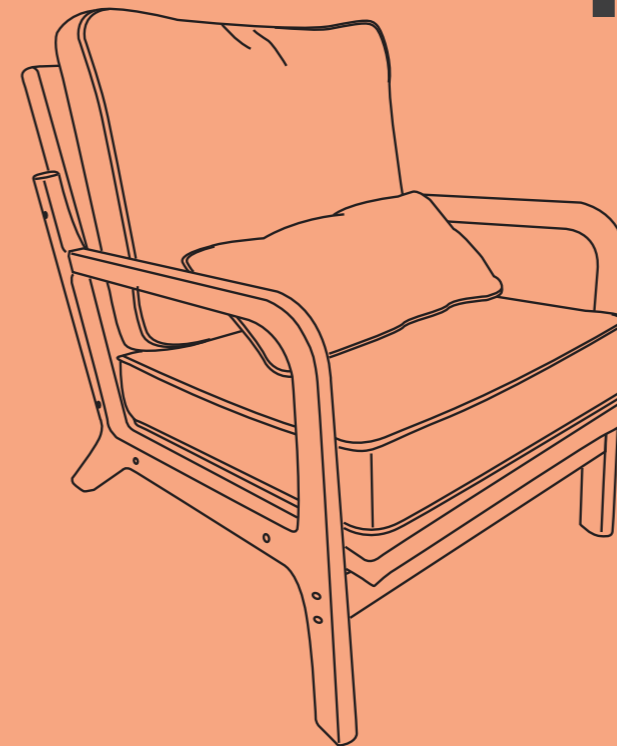


## Safety Information

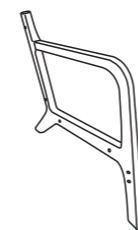


# INSTRUCTION MANUAL

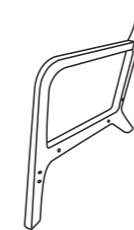
# INSTRUCTION MANUAL



## Part List



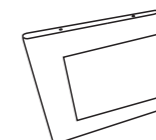
(A)\*1



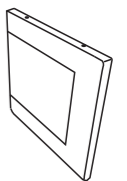
(B)\*1



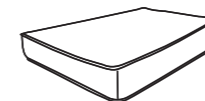
(C)\*1



(D)\*1



(E)\*1



(F)\*1



(G)\*1



(H)\*1



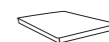
(1)\*12  
M8\*50mm



(2)\*1  
M6



(3)\*12  
Φ14mm



(4)\*4  
2\*3\*0.2cm

# Assembly Instruction

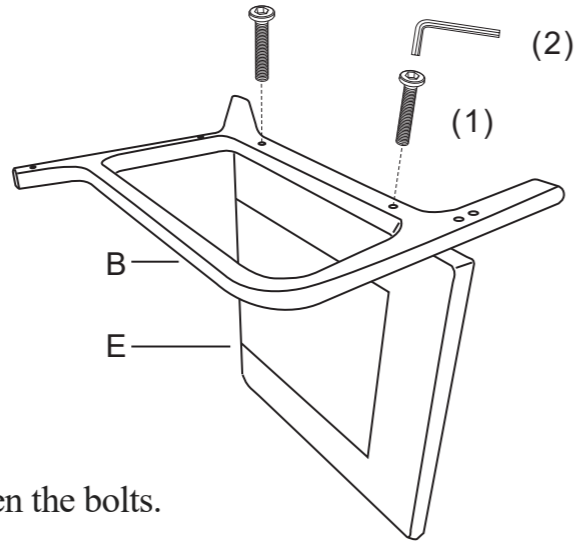
## Step 1



(1)\*2



(2)\*1



**NOTE:** DO NOT tighten the bolts.

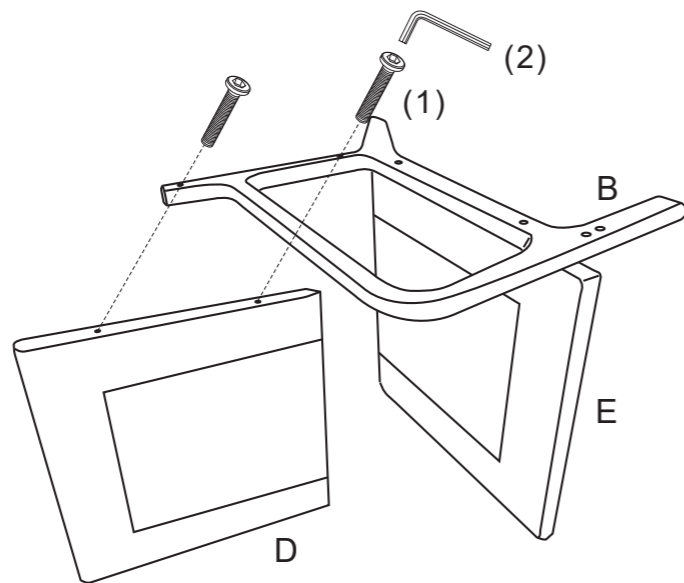
## Step 2



(1)\*2

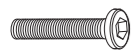


(2)\*1



**NOTE:** DO NOT tighten the bolts.

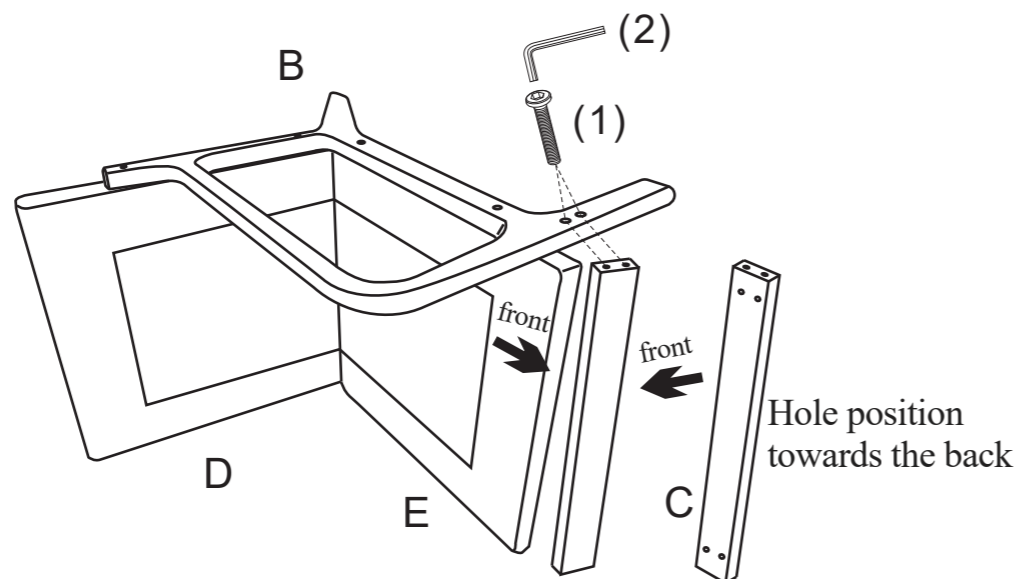
## Step 3



(1)\*2



(2)\*1



**NOTE:** DO NOT tighten the bolts.

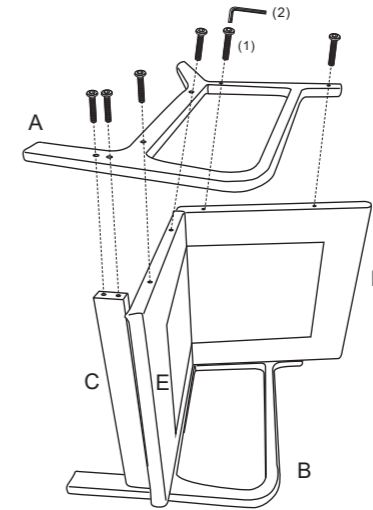
## Step 4



(1)\*6



(2)\*1



**NOTE:** Tighten all the bolts !

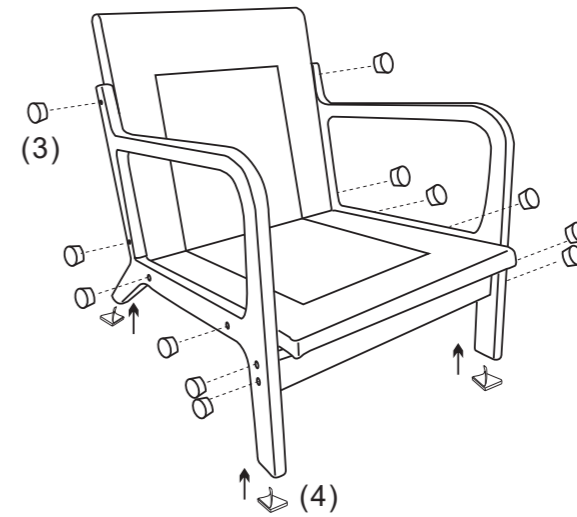
## Step 5



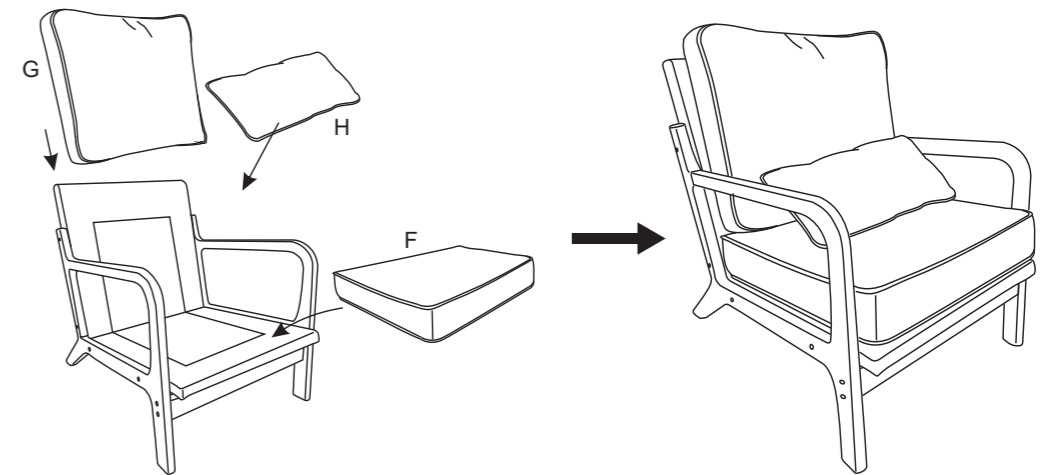
(3)\*12



(4)\*4



## Step 6



Please iron the cushions to maintain the most complete state before using.

### Attention Please!

The chair may wobble if not assembled right, For correction, loosen the screws by 2-3 revolutions, sit on the chair to make sure all four legs are on the same surface, then re-tighten the screws.