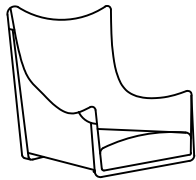


# ASSEMBLY INSTRUCTION

## Desk Chair

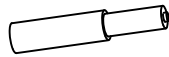
### Components



a  
x1



b  
x1





c  
x1



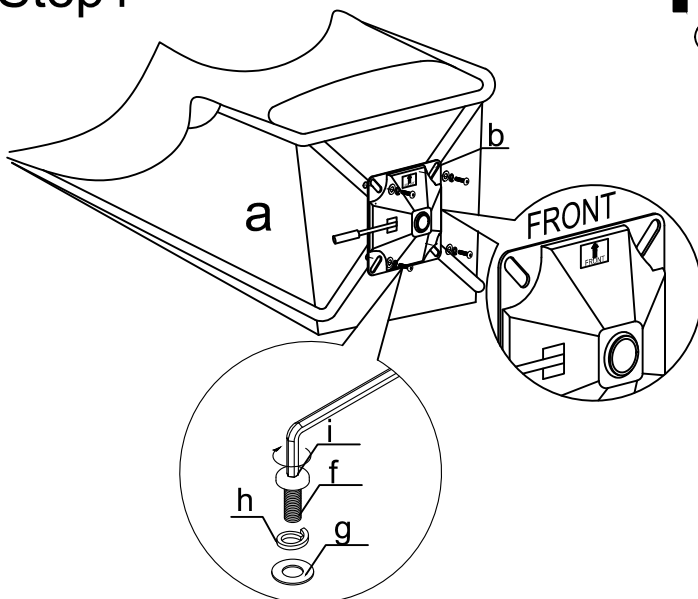
d  
x1



e  
x5

Hardware List				
f		Bolt	M6×20mm	4
g		Flat Washer	Ø20mm	4
h		Spring Washer	Ø13mm	4
i		Allen key	4mm	1

### Step1



### Step2

