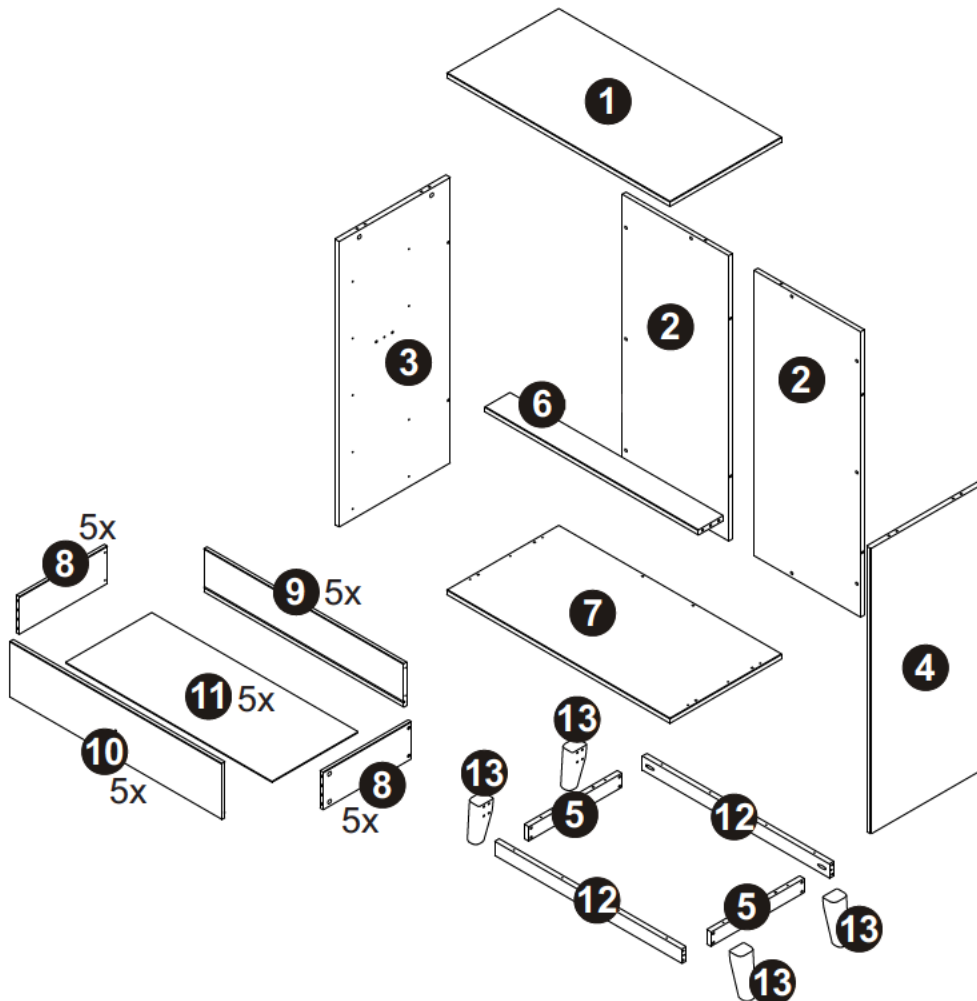
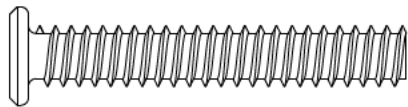

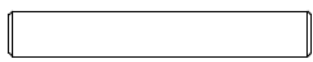
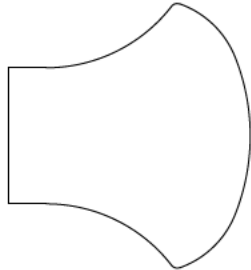
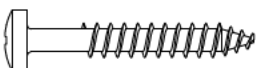
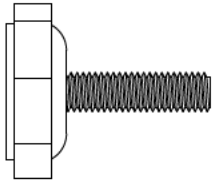
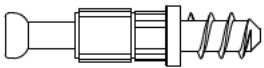
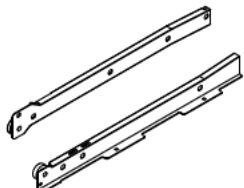

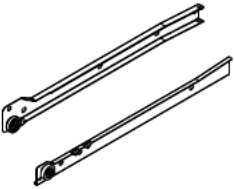


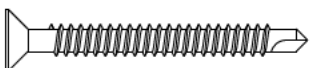
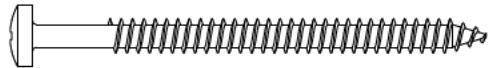
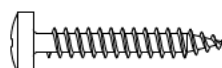
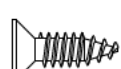
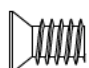
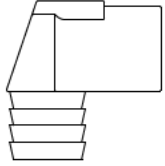


ASSEMBLY INSTRUCTIONS

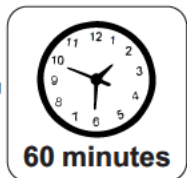
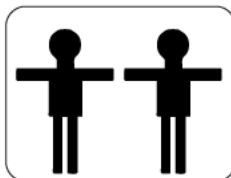
5 DRAWER CHEST



A	 Ø7x50mm	08	M	 Wallboard	01
B	 Ø6x40mm	08	N		05
C	 Ø4x30mm	29	O	 27x23mm	04
D	 Ø5x12mm	26	P	 330mm	05
E	 Ø15x11mm	26	Q	 330mm	05
F	 Ø8x30mm	46	R		01
G	 Ø4x40mm	06			
H	 Ø4,5x60mm	14			
I	 Ø4x25mm	10			
J	 Ø3,5x14mm	20			
K	 Ø6x10mm	20			
L		10			

REPLACEMENT PARTS

Please do not contact the company purchased from as we can help you faster.



Slotted Tool



Phillips Tool



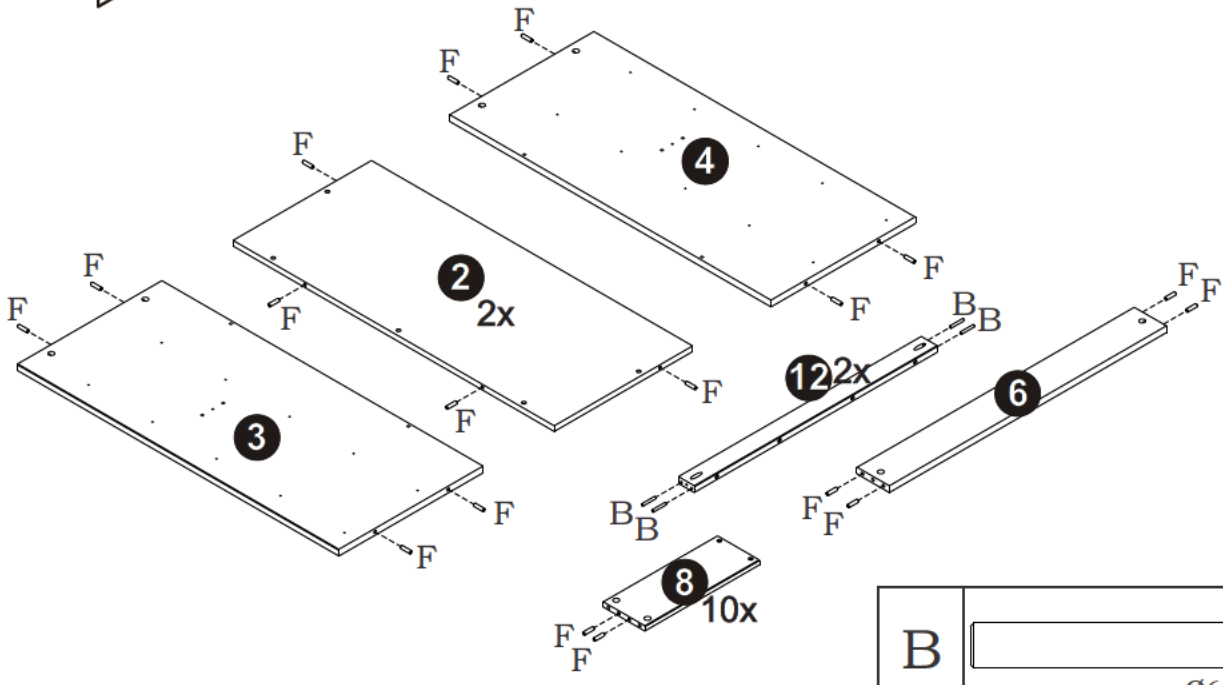
Tools Required

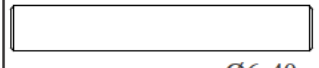



Hammer

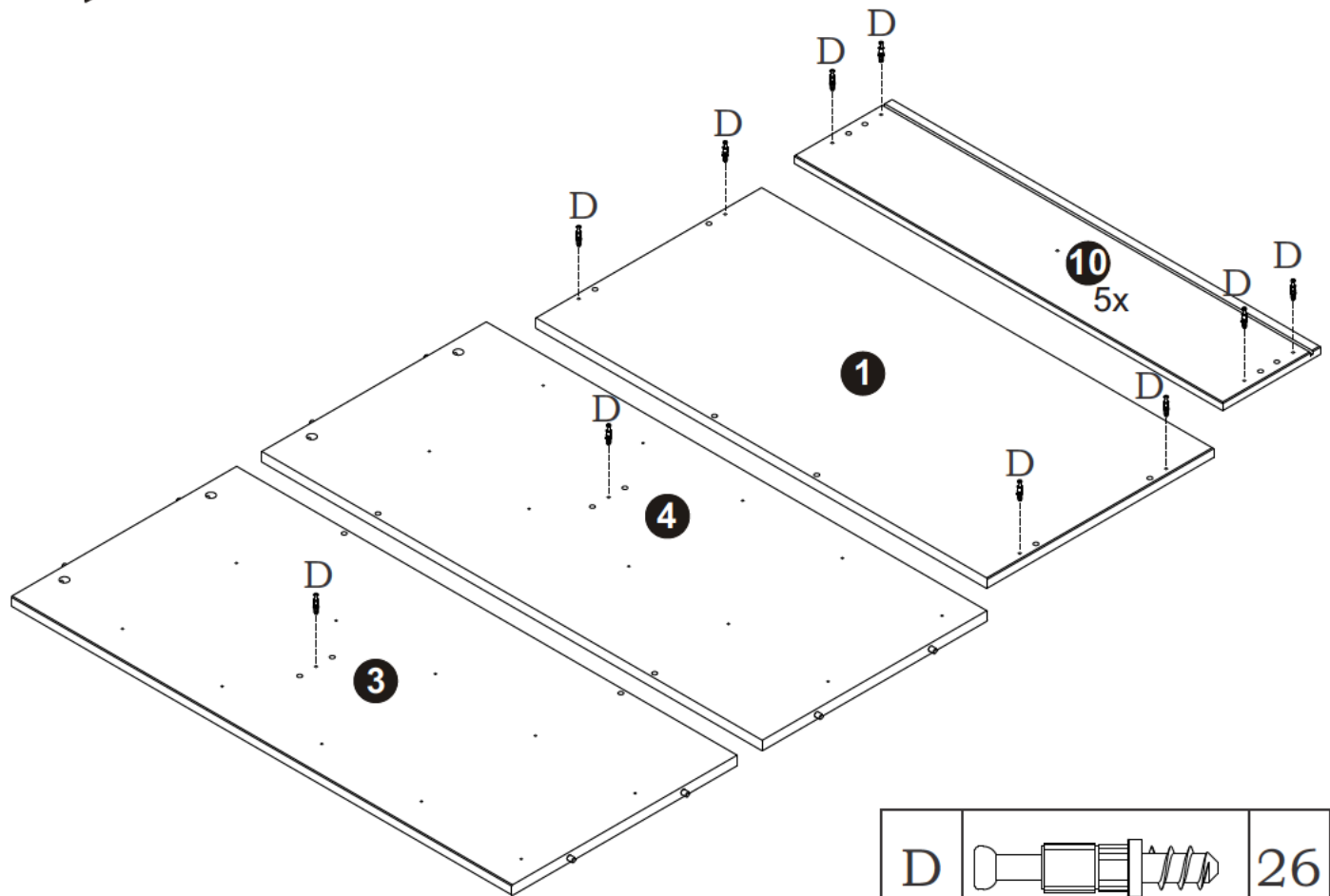
* These tools are not supplied by the manufacturer

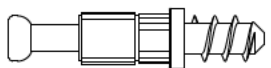
01



B		08
	Ø6x40mm	
F		40
	Ø8x30mm	

02



D		26
	Ø5x12mm	

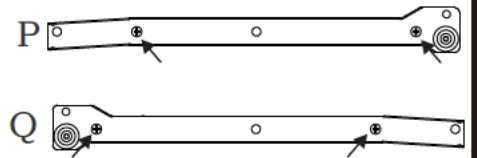
03

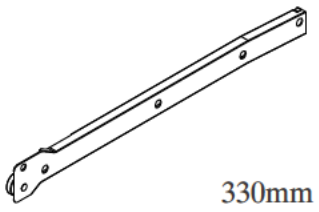
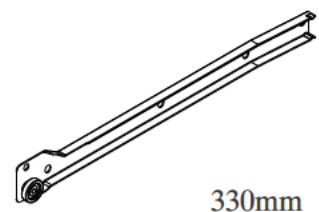
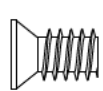
BACK

4

BACK

3

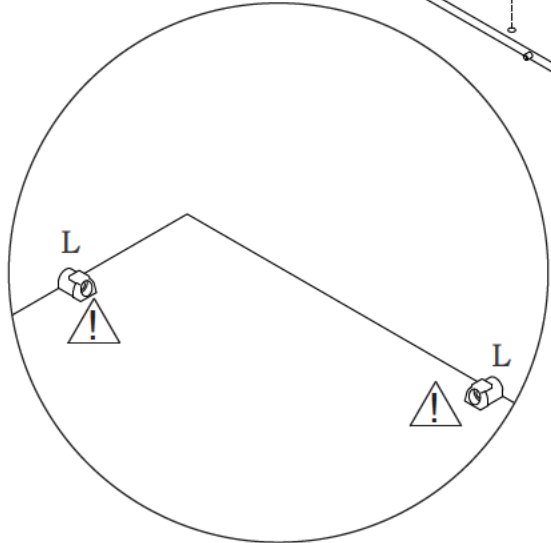



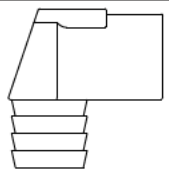
P	 330mm	05
Q	 330mm	05
K	 Ø6x10mm	20

04

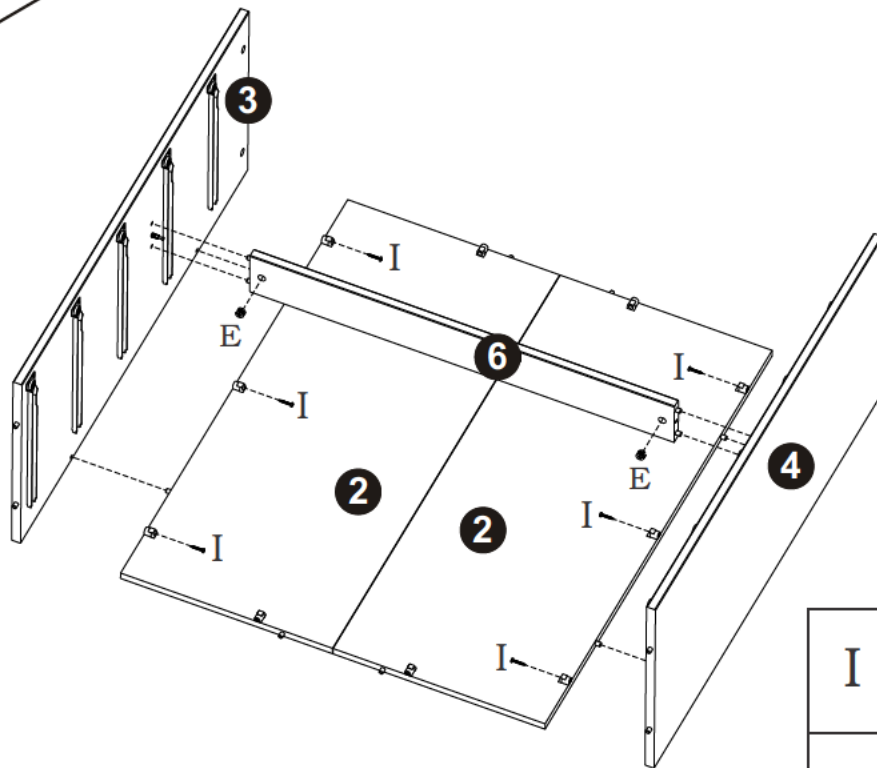
2



2



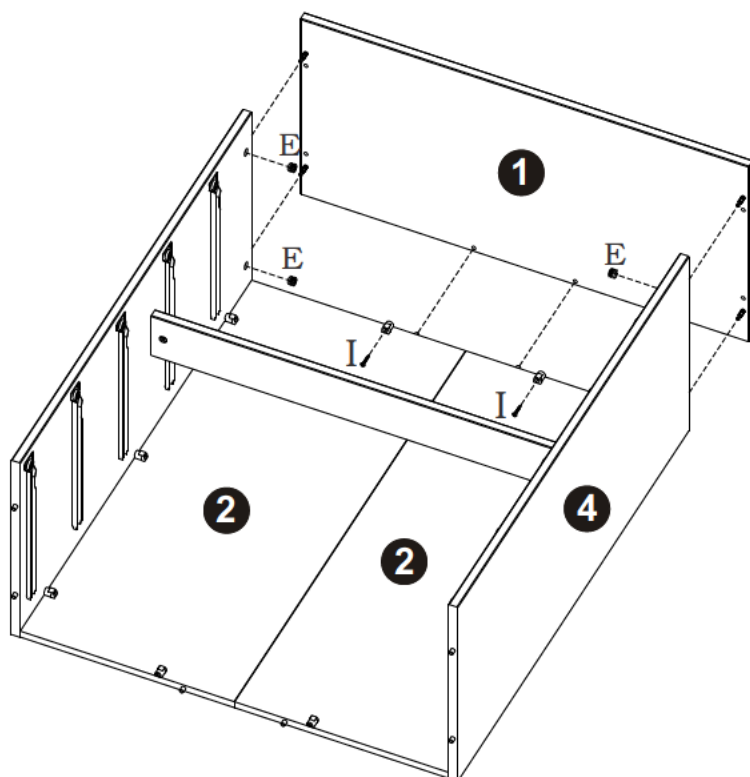
F	 Ø8x30mm	02
L		10

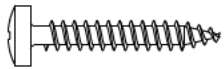

05



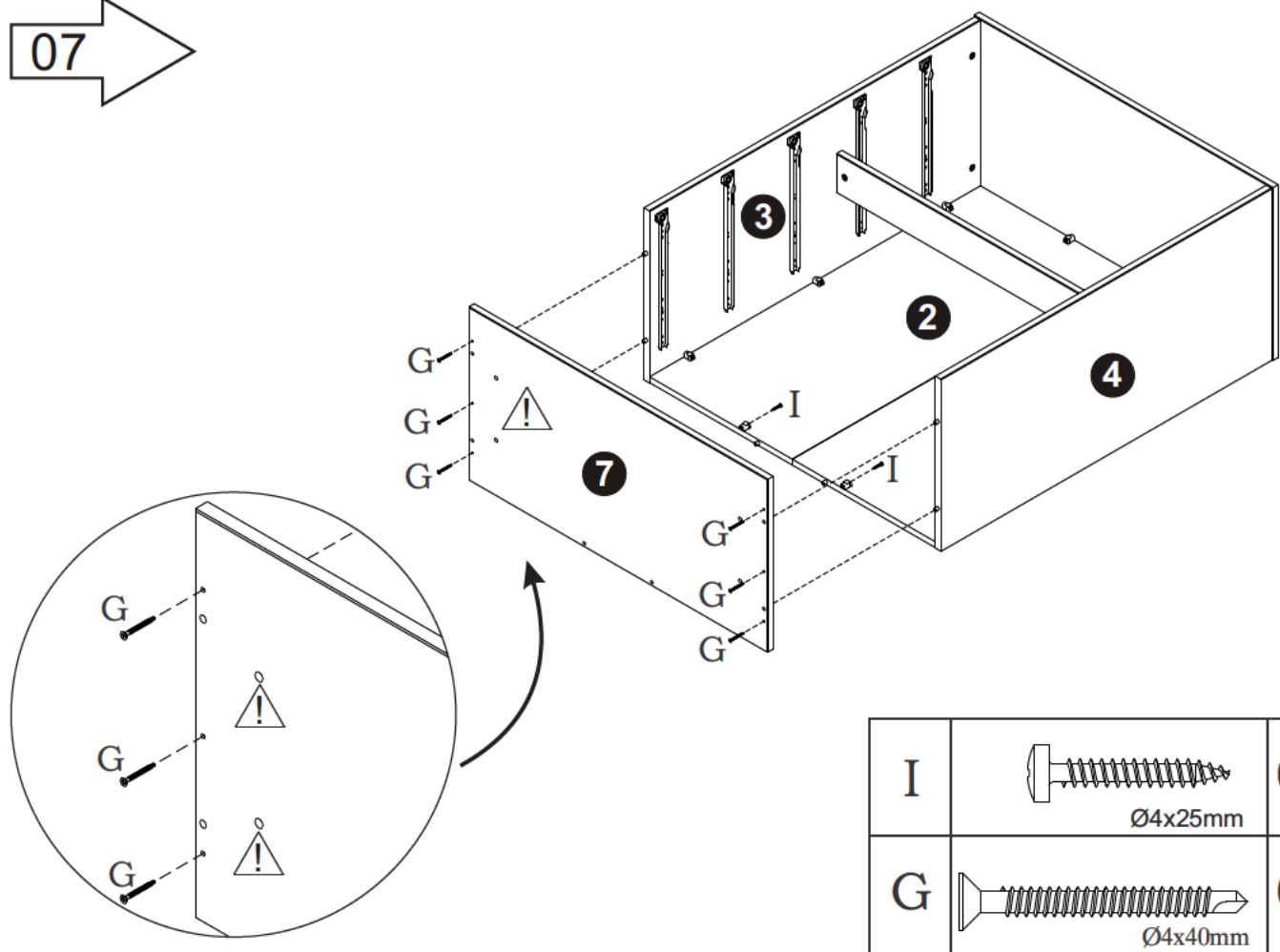
I	 Ø4x25mm	06
E	 Ø15x11mm	02


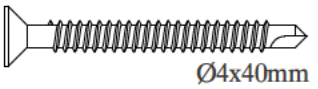
06



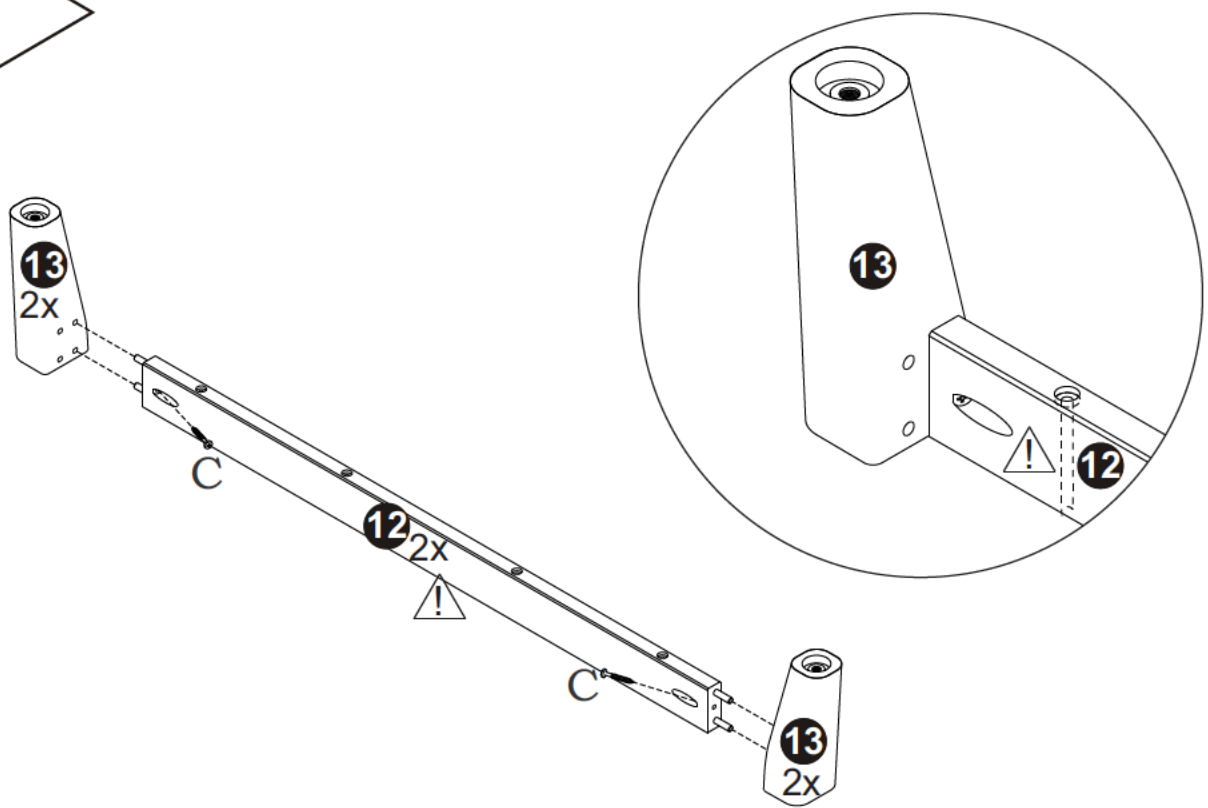
I	 Ø4x25mm	02
E	 Ø15x11mm	04

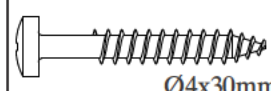
07

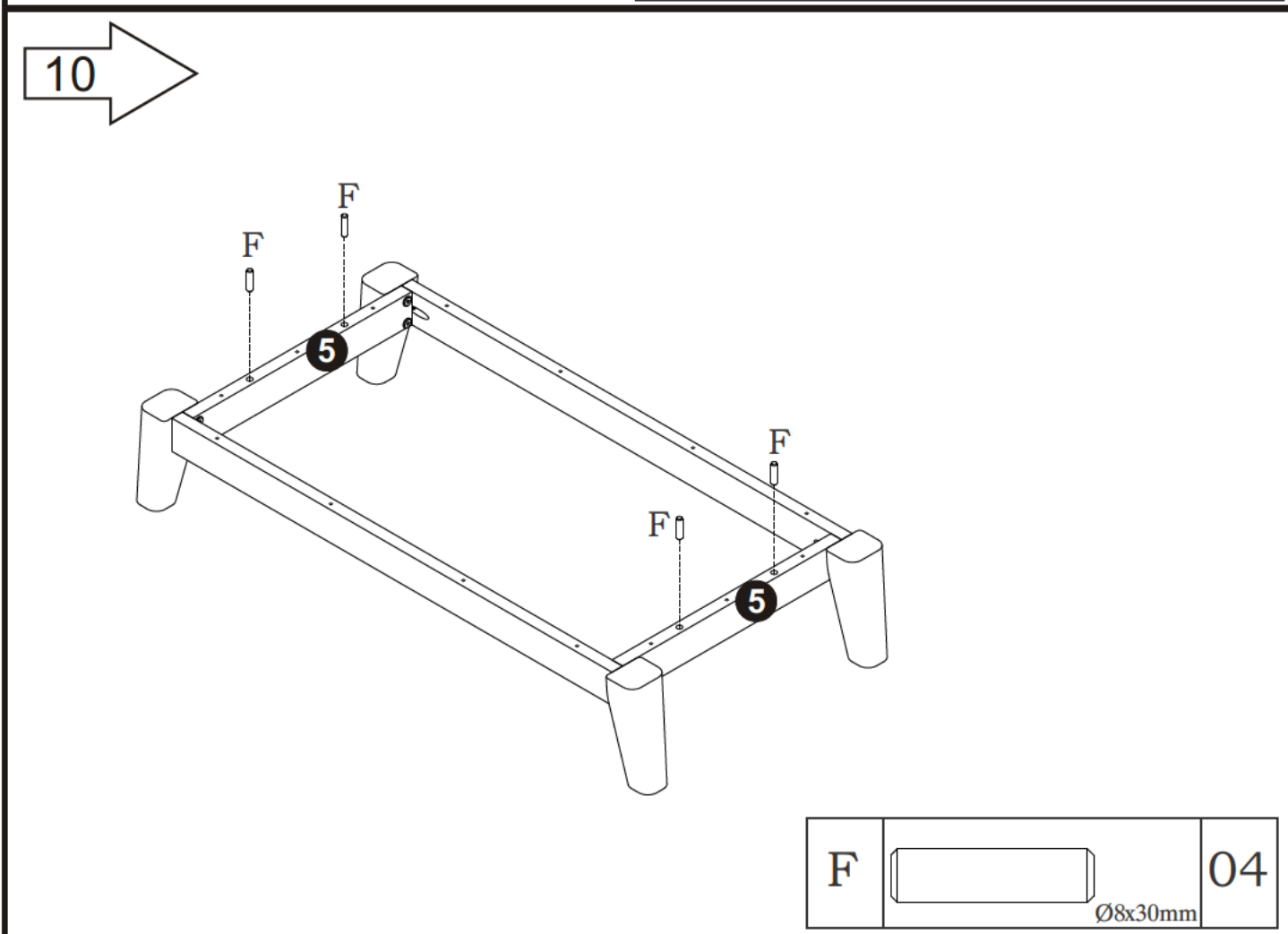
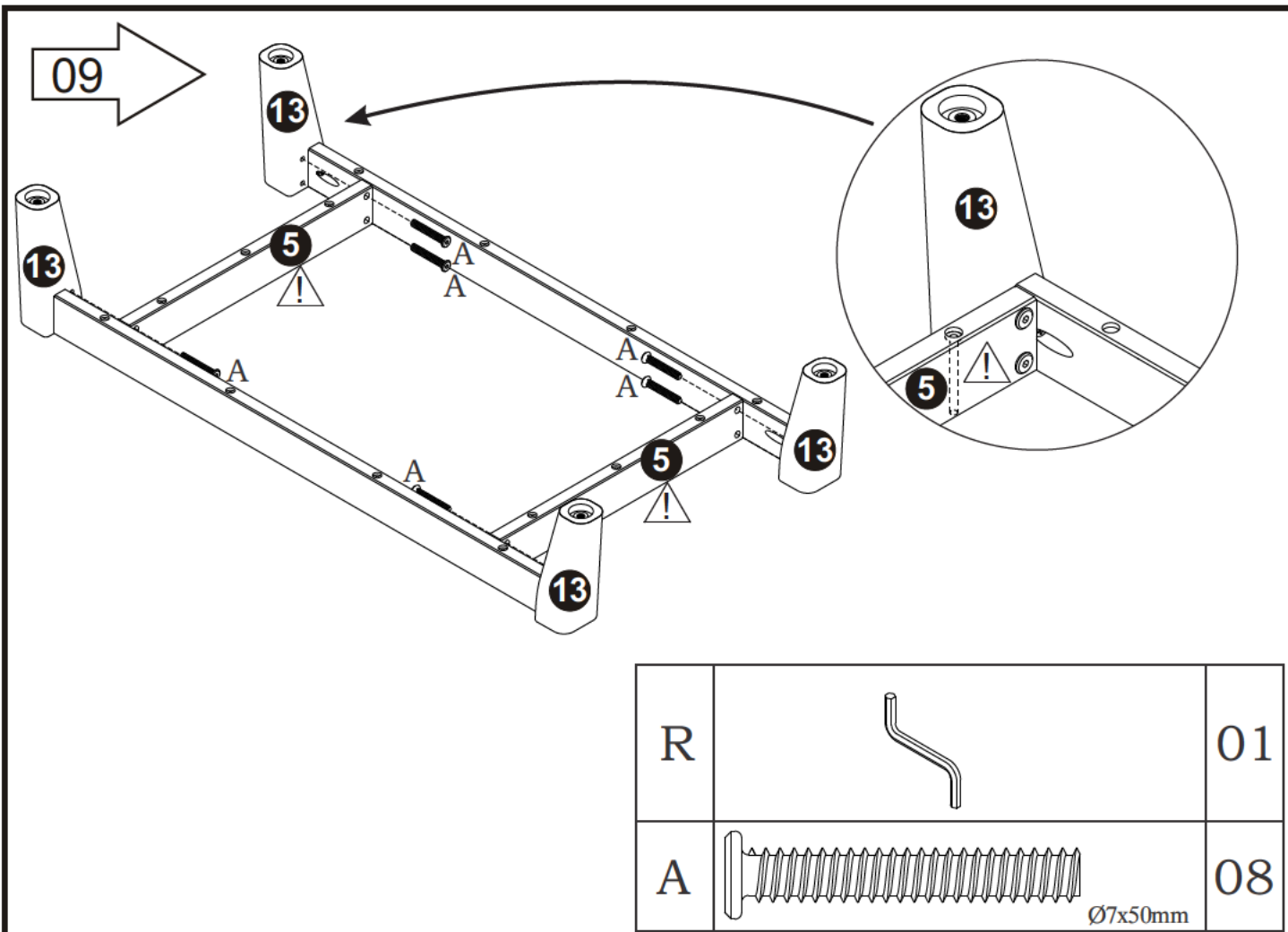


I		02
G		06

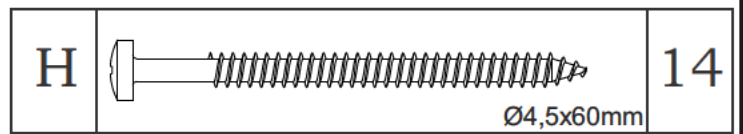
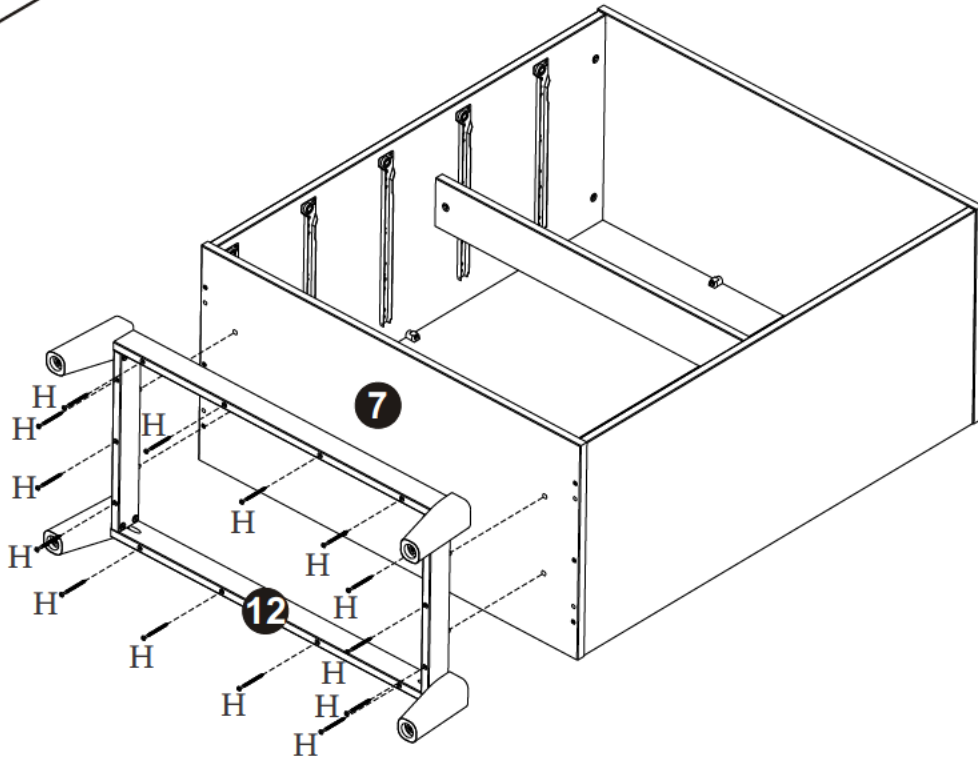
08



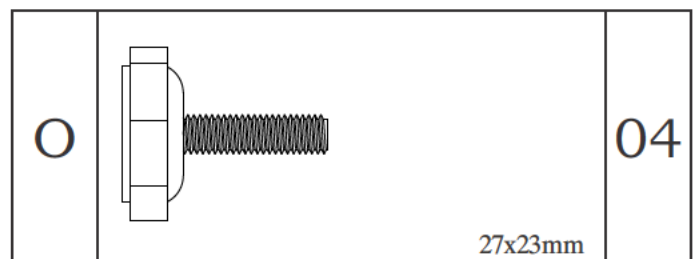
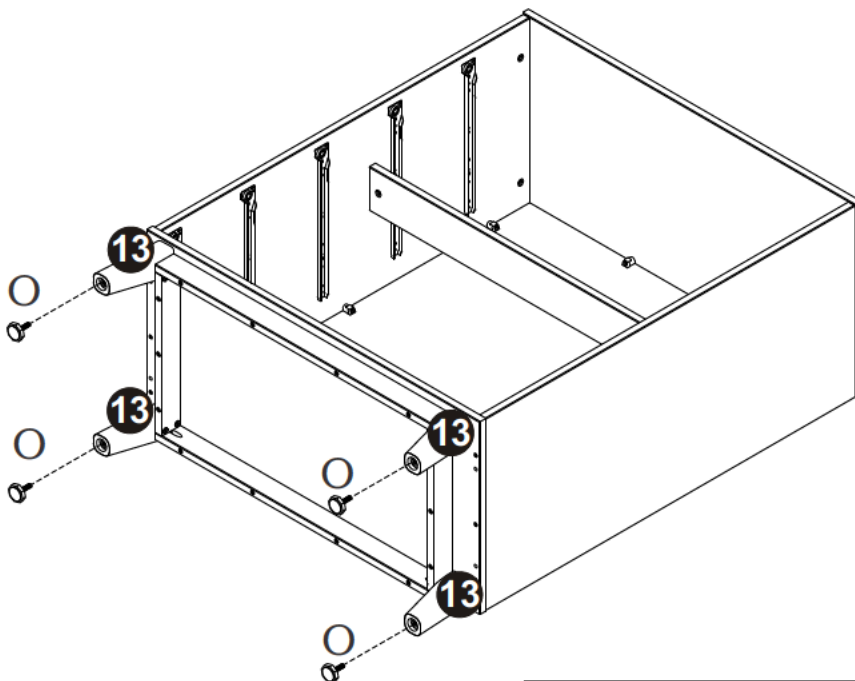
C		04
---	---	----



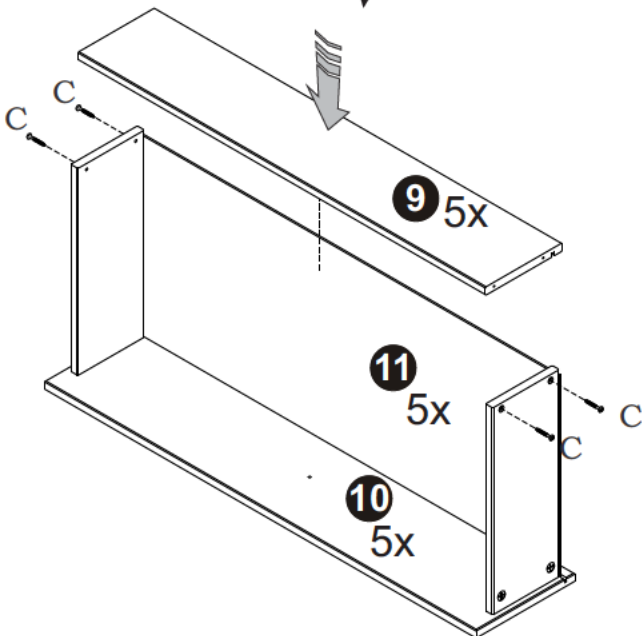
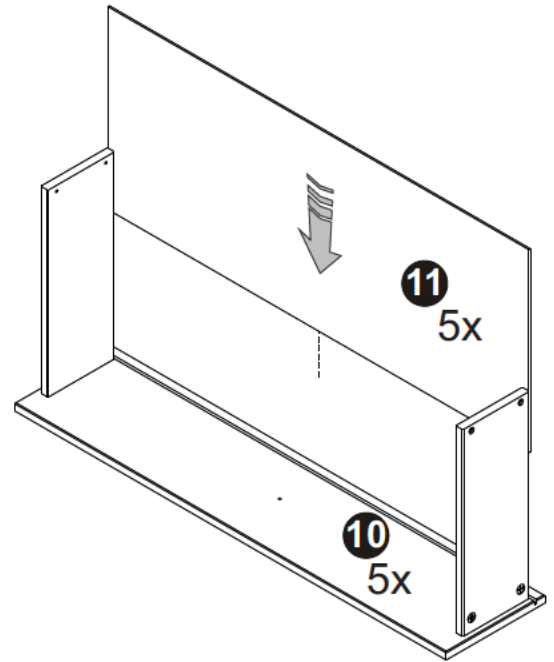
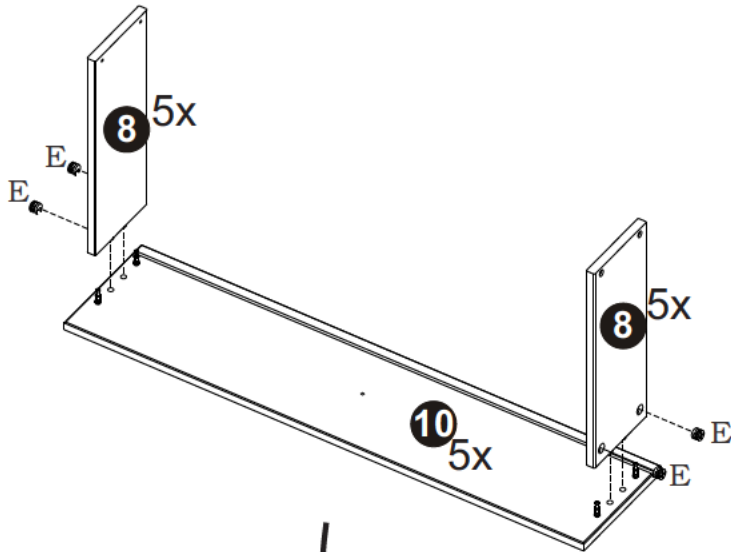
11

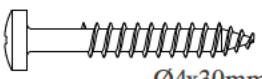



12

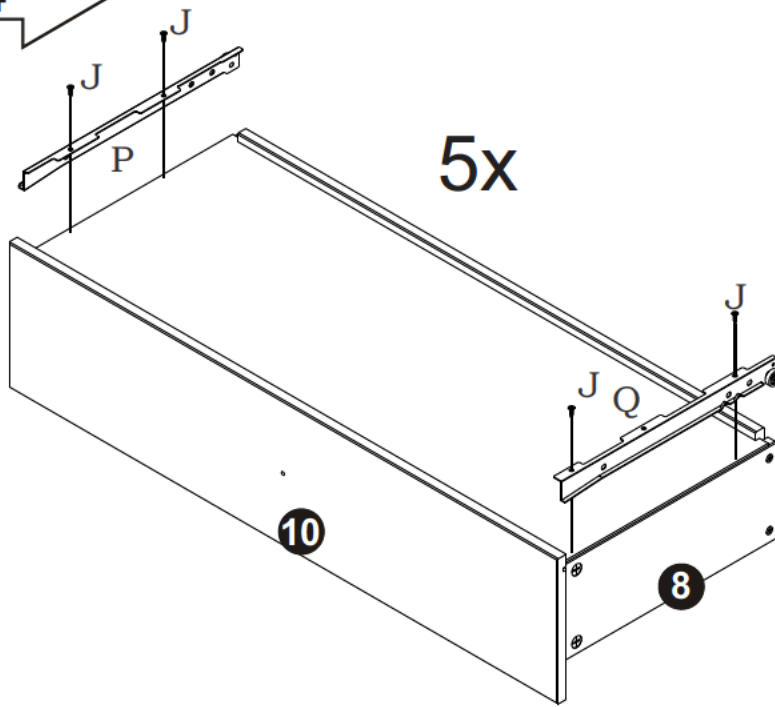


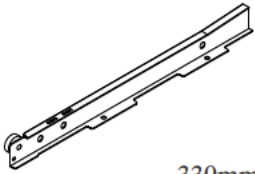
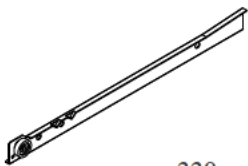
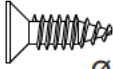
13



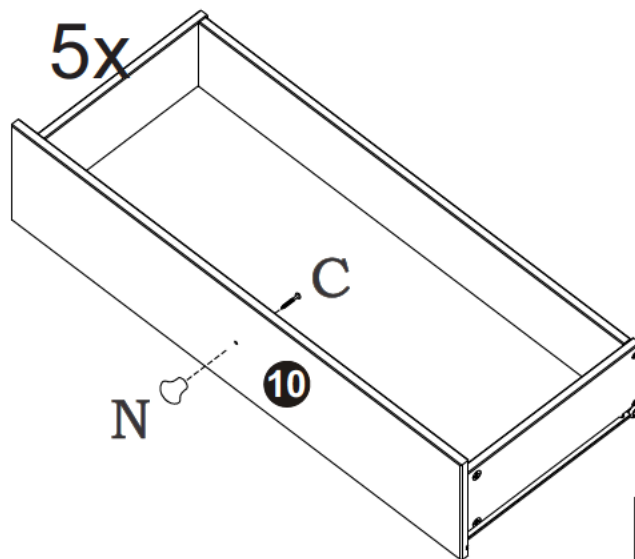
C	 Ø4x30mm	20
E	 Ø15x11mm	20

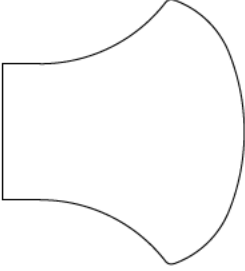
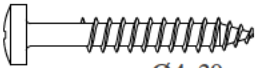
14



P	 330mm	05
Q	 330mm	05
J	 Ø3,5x14mm	20

15



N		05
C	 Ø4x30mm	05

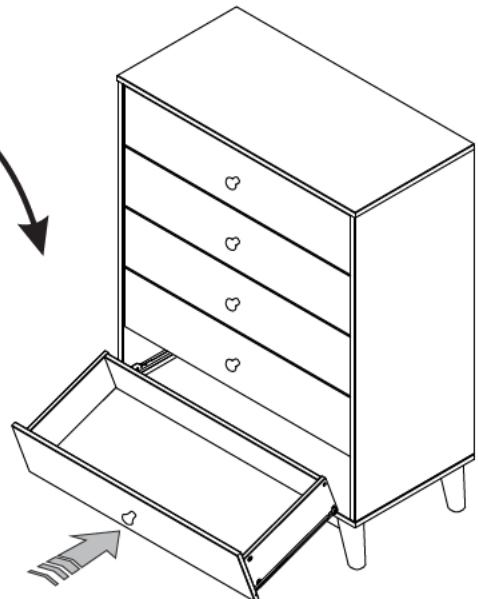
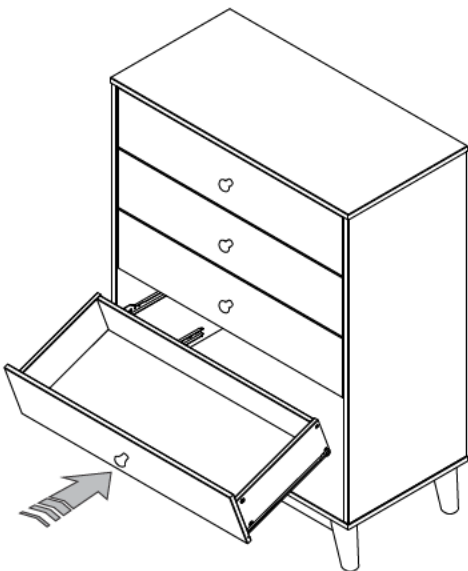
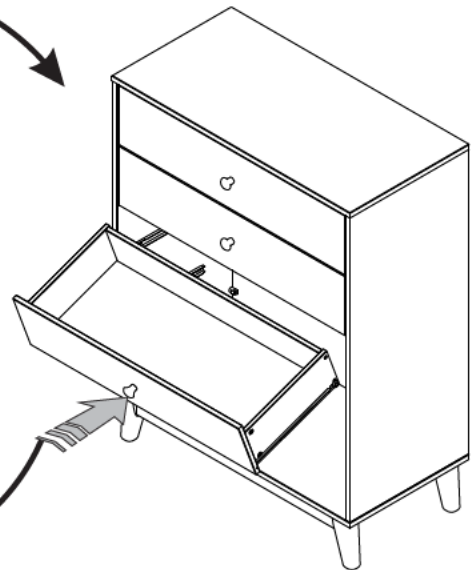
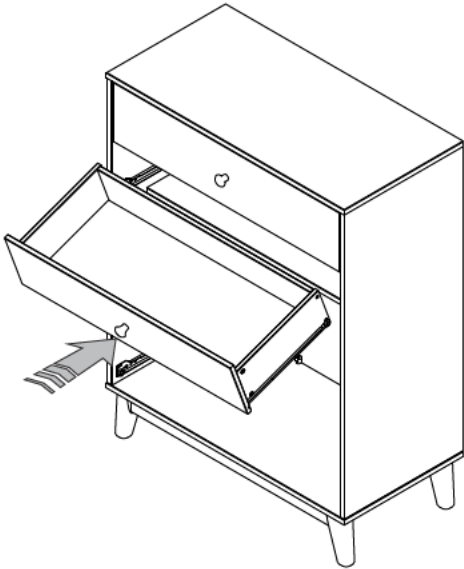
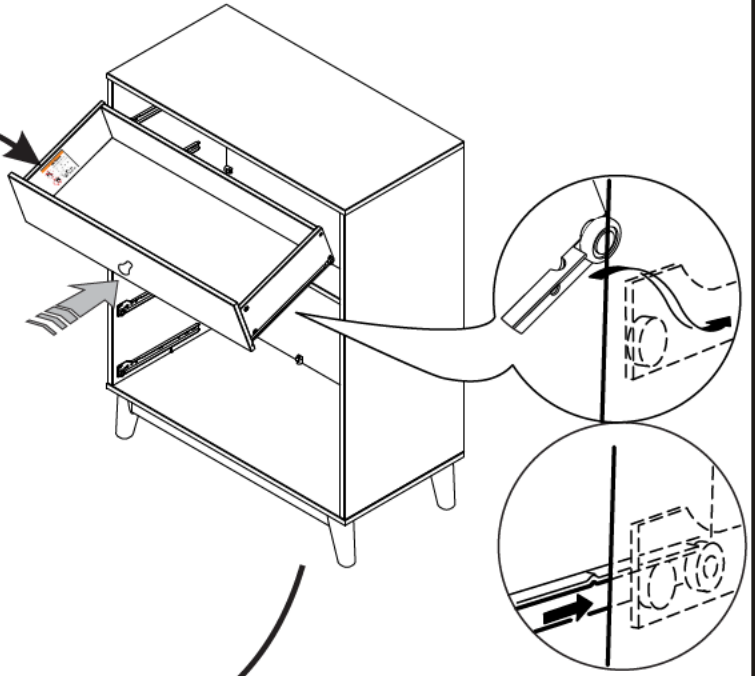
16

WARNING

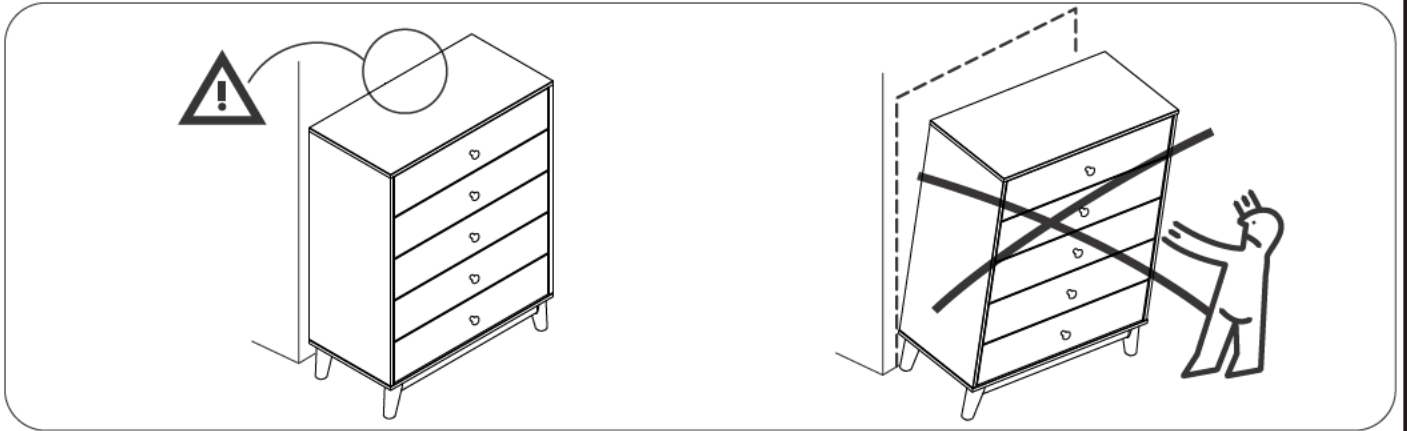
Children have died from furniture tipover. To reduce the risk of furniture tipover:

- ALWAYS install tipover restraint provided.
- NEVER put a TV on this product.
- NEVER allow children to stand, climb or hang on drawers, doors, or shelves.
- NEVER open more than one drawer at a time.
- Place heaviest items in the lowest drawers.

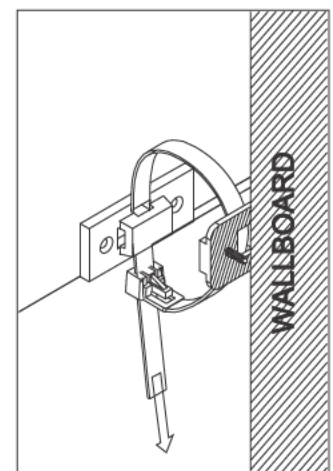
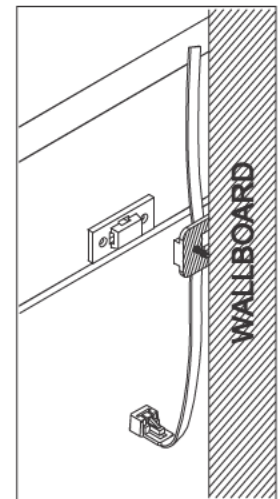
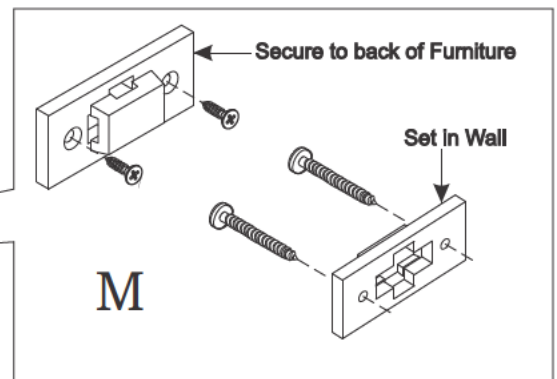
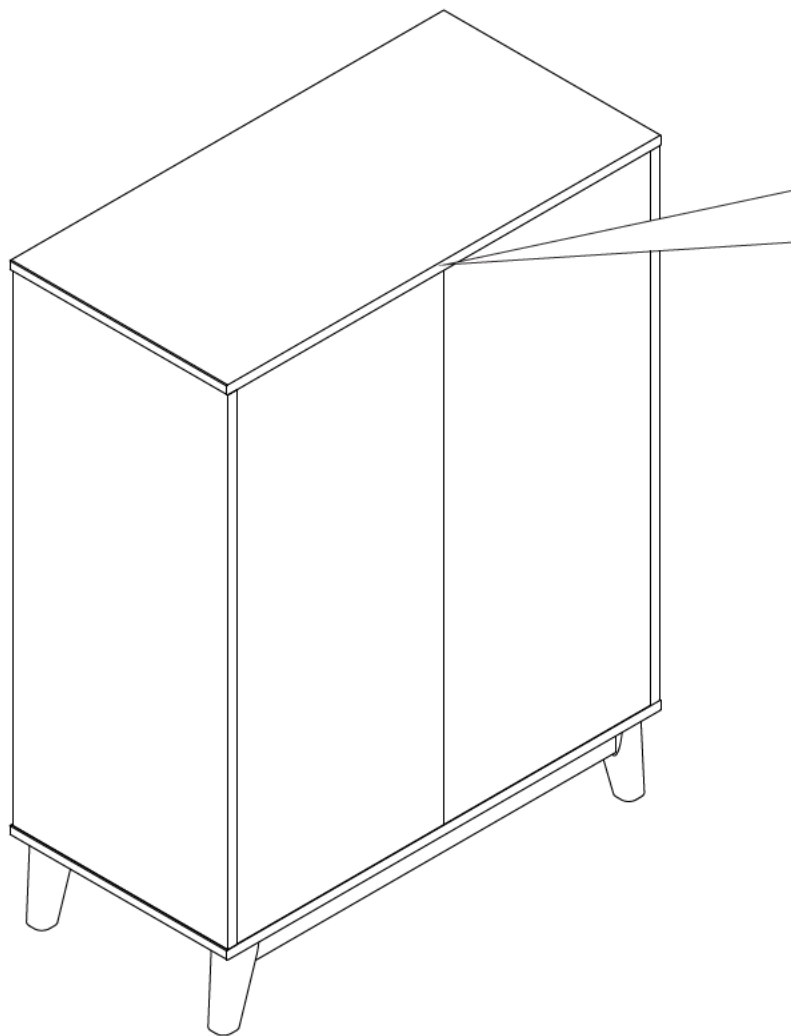
This is a permanent label. Do not remove!



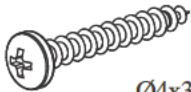
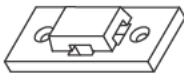


17



Secure to Stud behind Wallboard.



Secure to Stud behind Wallboard!

M	Hardware of WallBoard			
	 Ø4x30mm	02		02
	 Ø4x16mm	02	 140mm	01