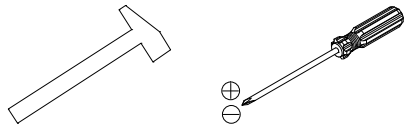
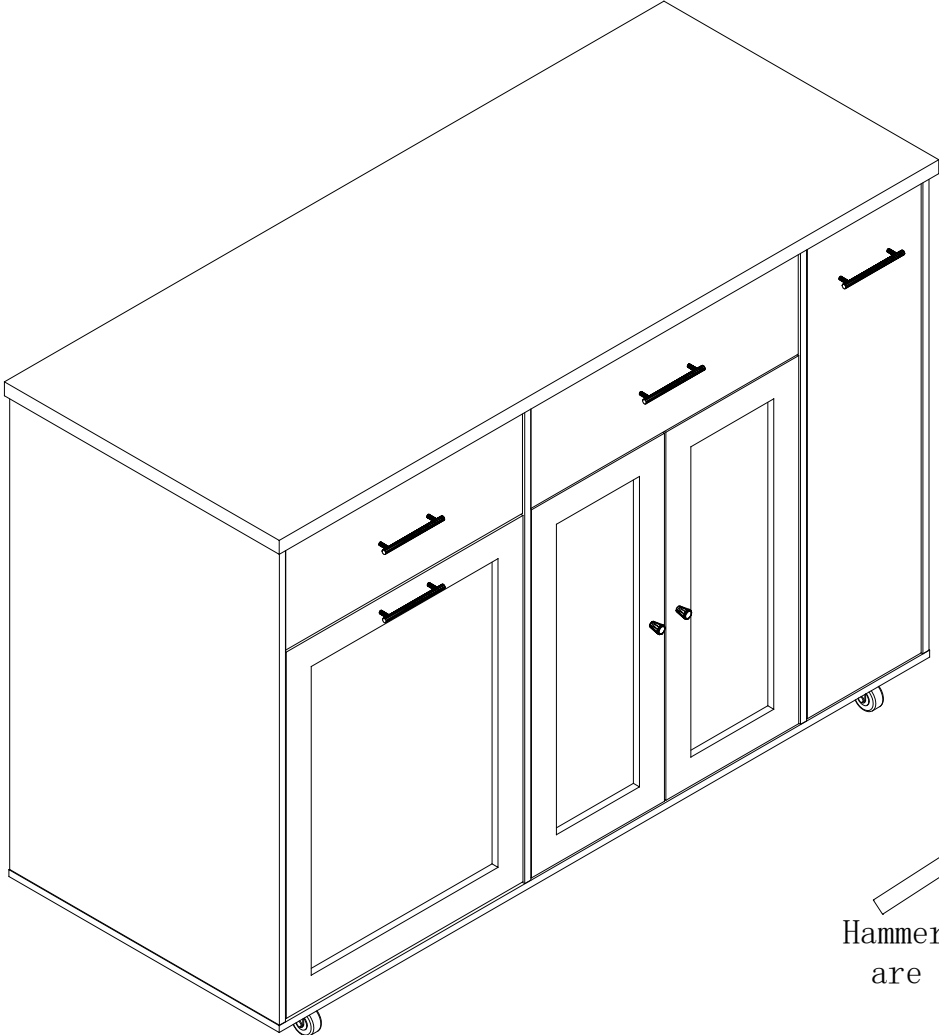
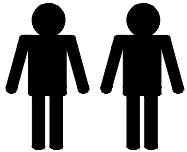
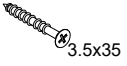





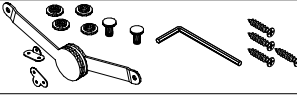
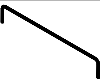


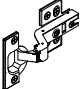



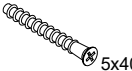






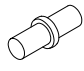


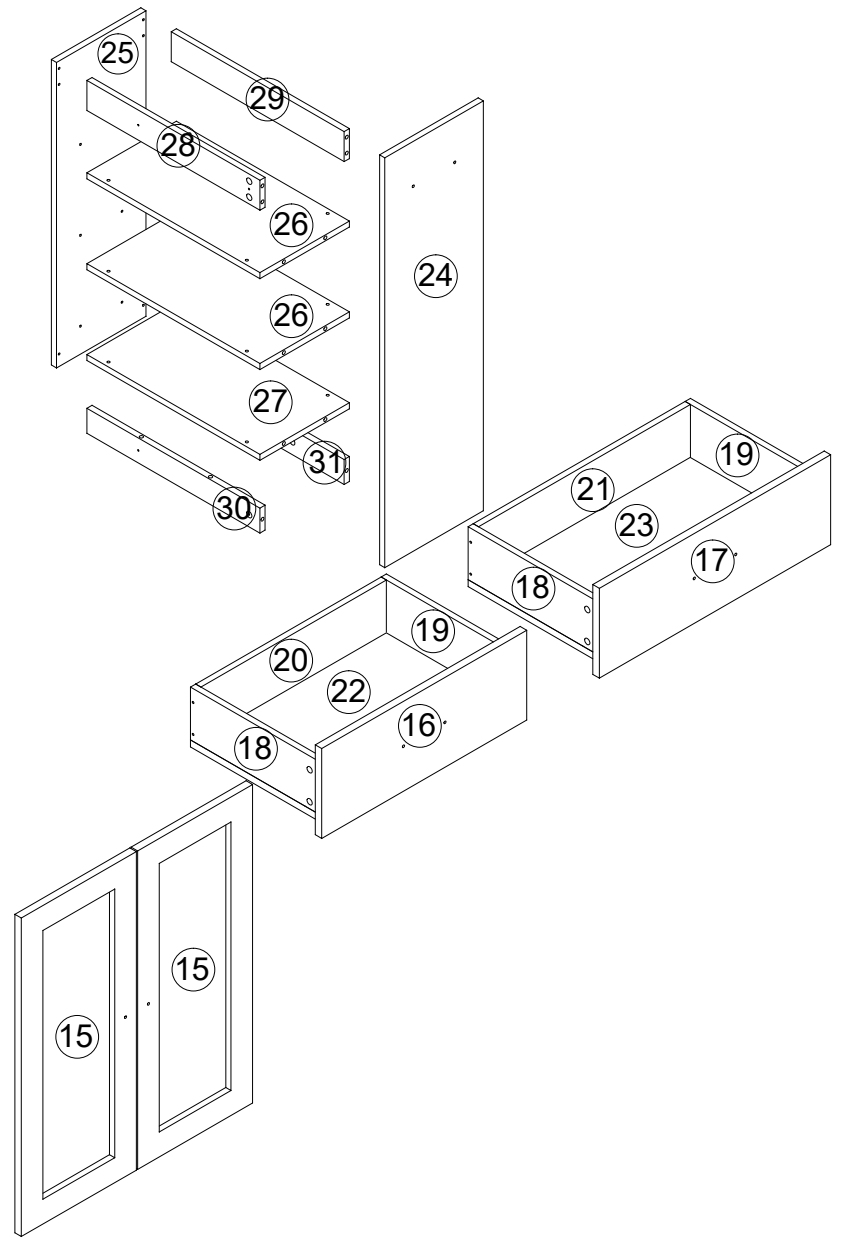
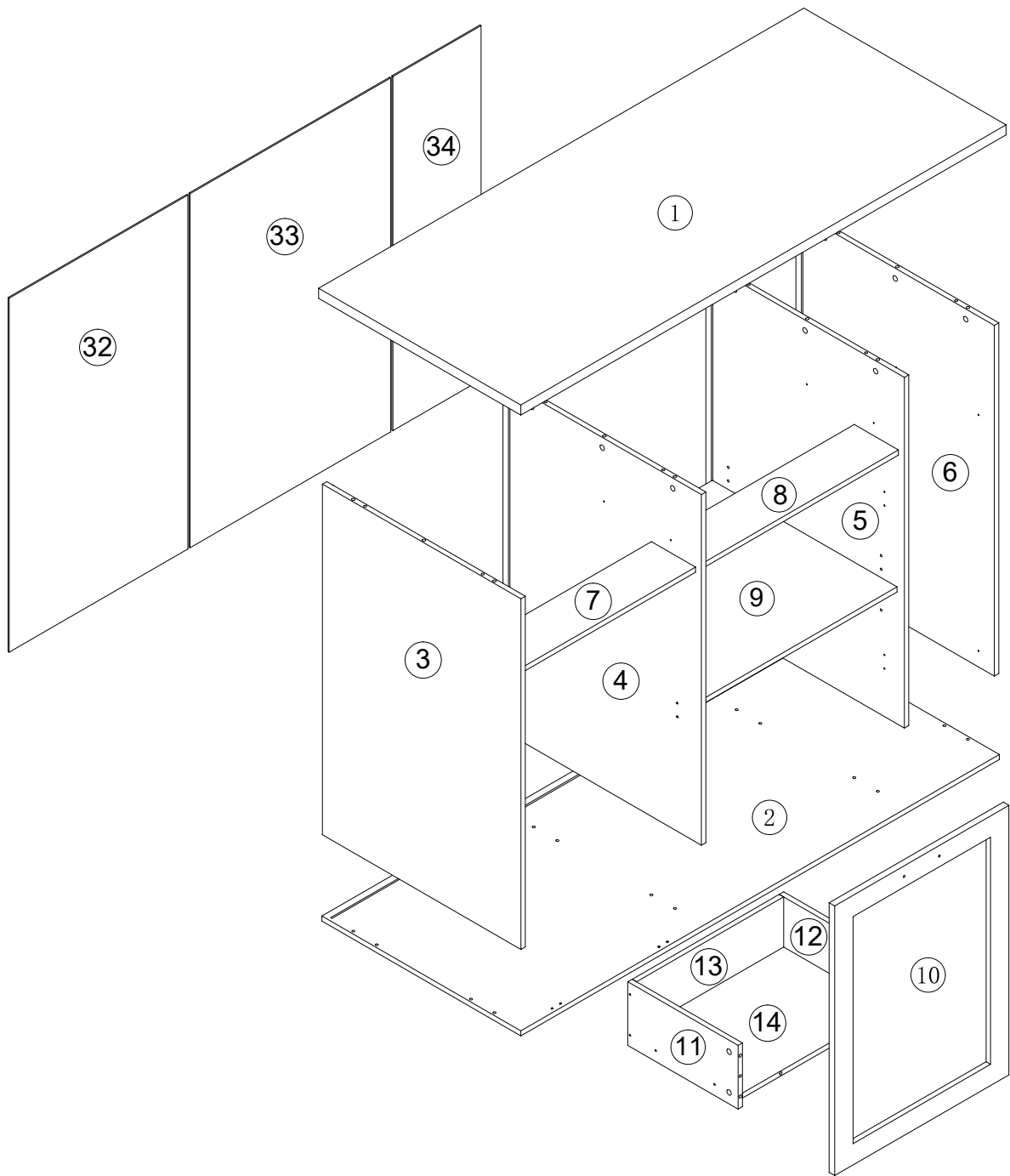
Assembly Instruction



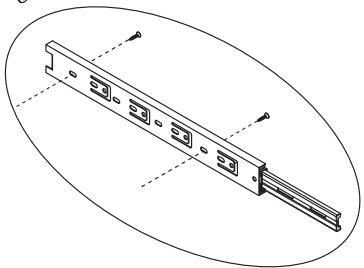
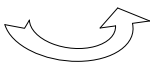
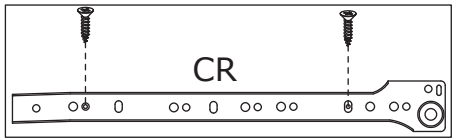
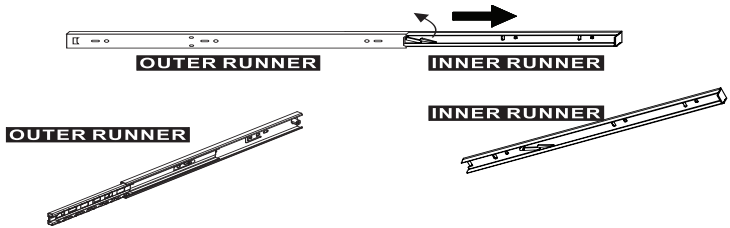
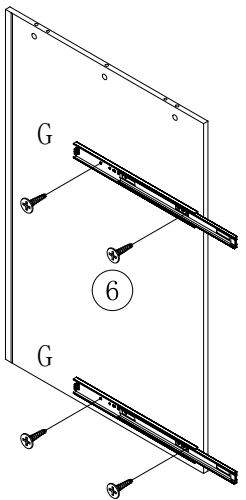
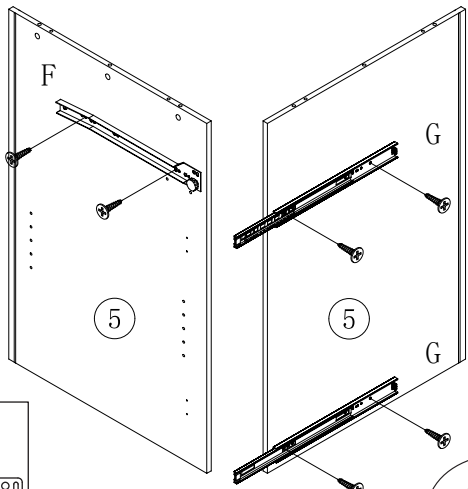
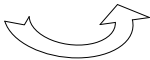
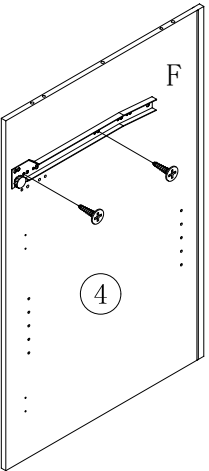
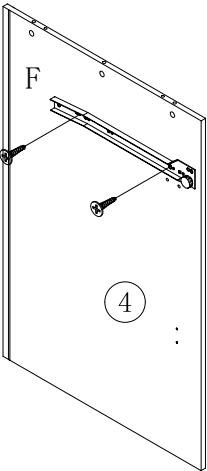
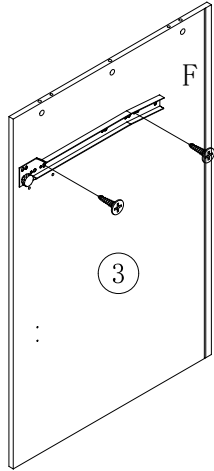
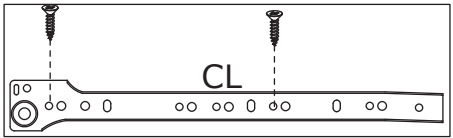
Hammer and Screwdriver
are not included !!






M  3.5x35	N  3.5x12	O  3x12	P  2x	Q  22x	R  $\phi 20$ 50x	S  2x	T  6x	U  4x	V  1x		
30x	80+4x	10x	2x	22x	50x	2x	6x	4x	1x		
A  4x	B  48x	C  48x	D  6x30 18x	E  5x40 10x	F  2x	G  2x	H  4x	I  2x	J  4x21 6x	K  4x18 4x	L  4x

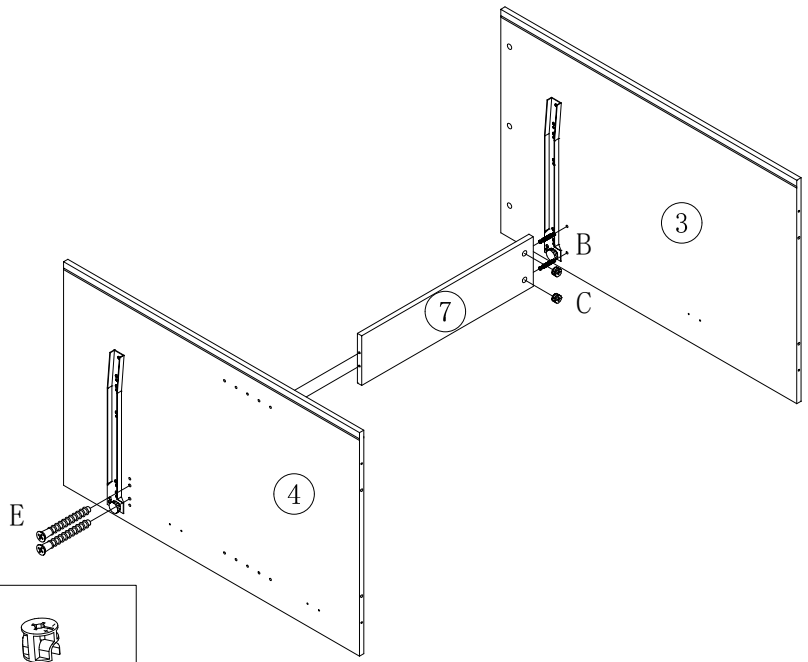


1



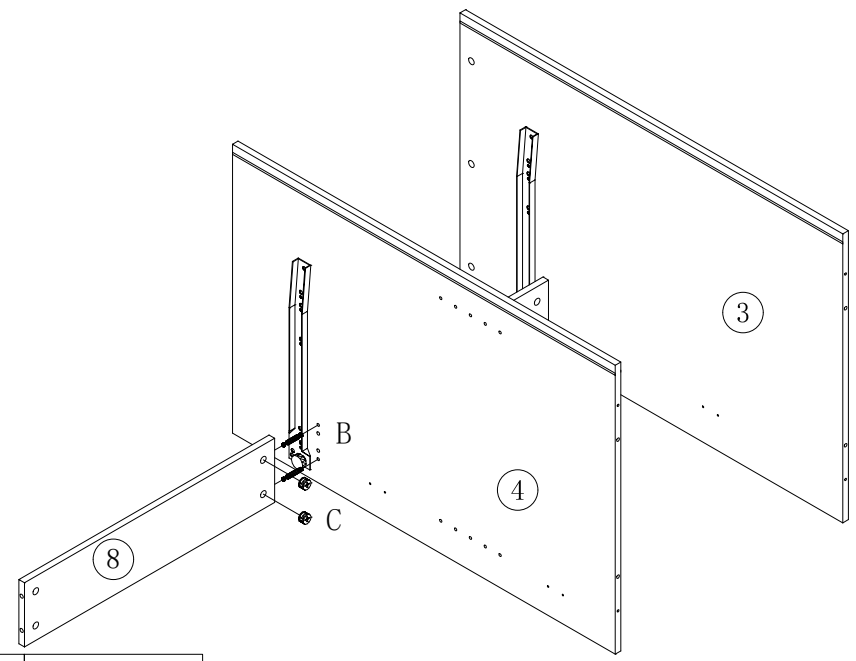
F		G		N	
	2x		2x		3.5x12
					16x

2



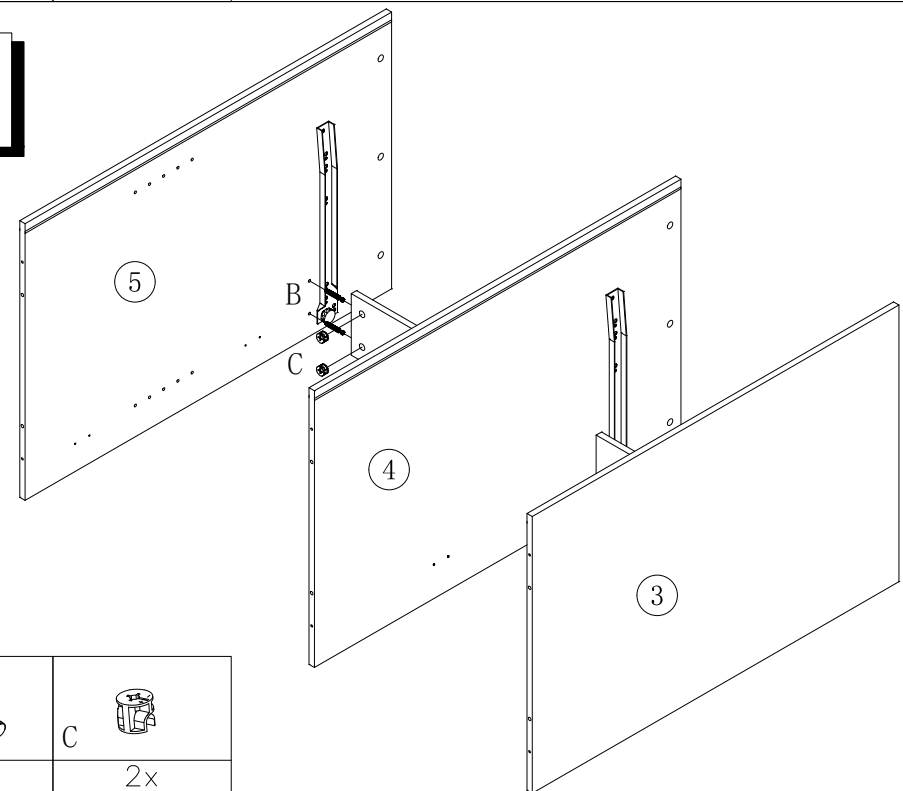
- | | | |
|---|----|--|
| E | 2x | |
| B | 2x | |
| C | 2x | |

3



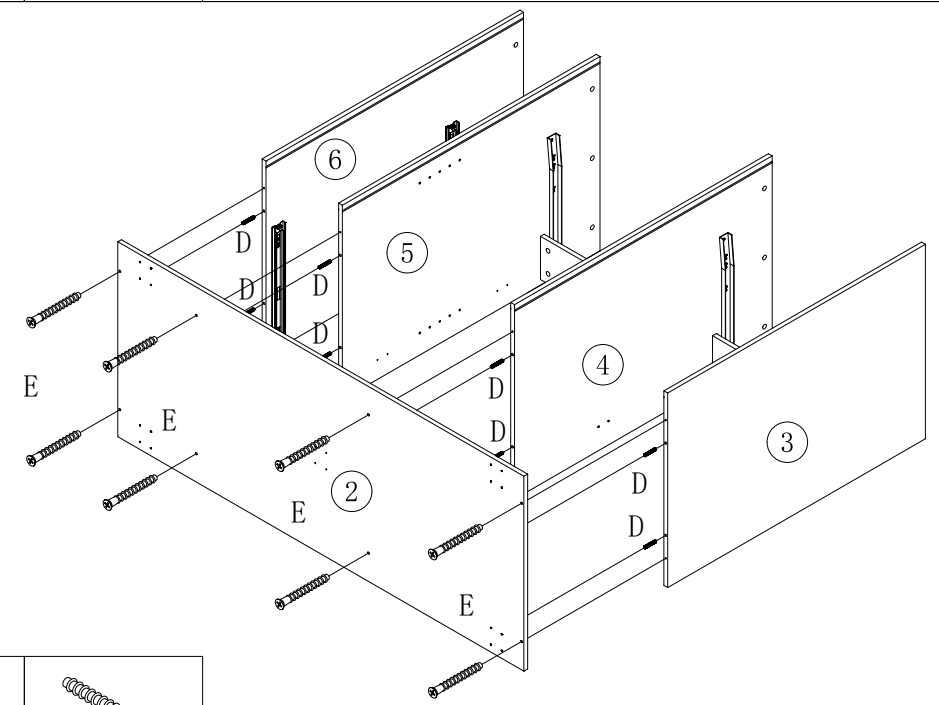
- | | | |
|---|----|--|
| B | 2x | |
| C | 2x | |

4



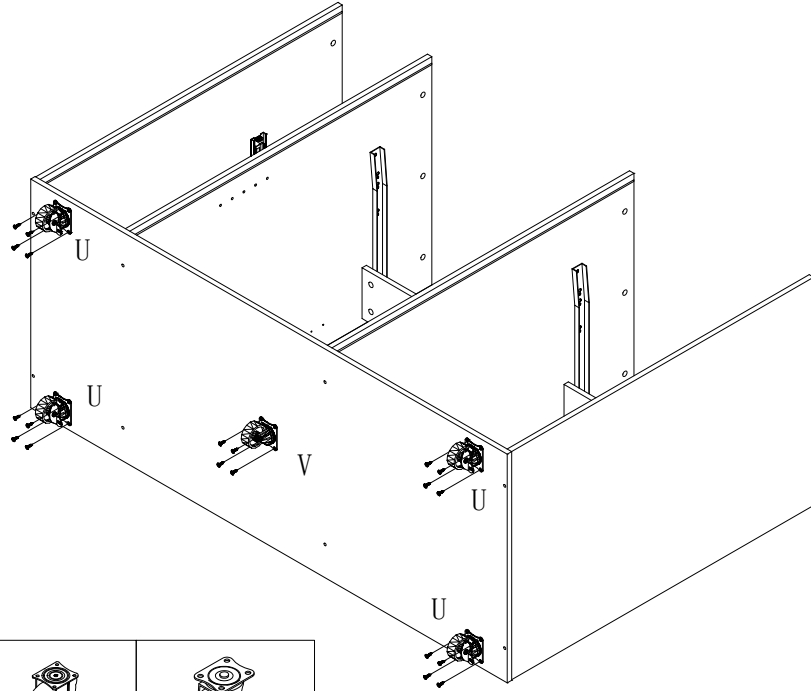
- | | | |
|---|----|--|
| B | 2x | |
| C | 2x | |




5



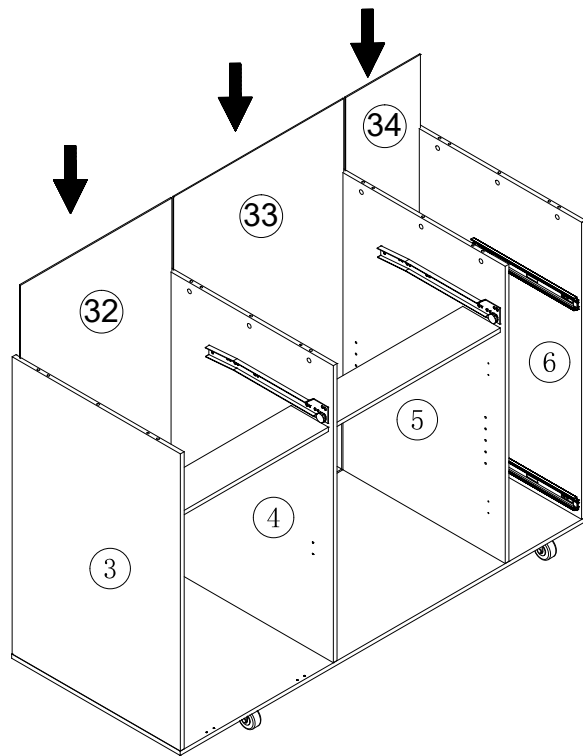
- | | | | | |
|---|------|----|----|--|
| D | 6x30 | E | 8x | |
| | | 8x | | |

6

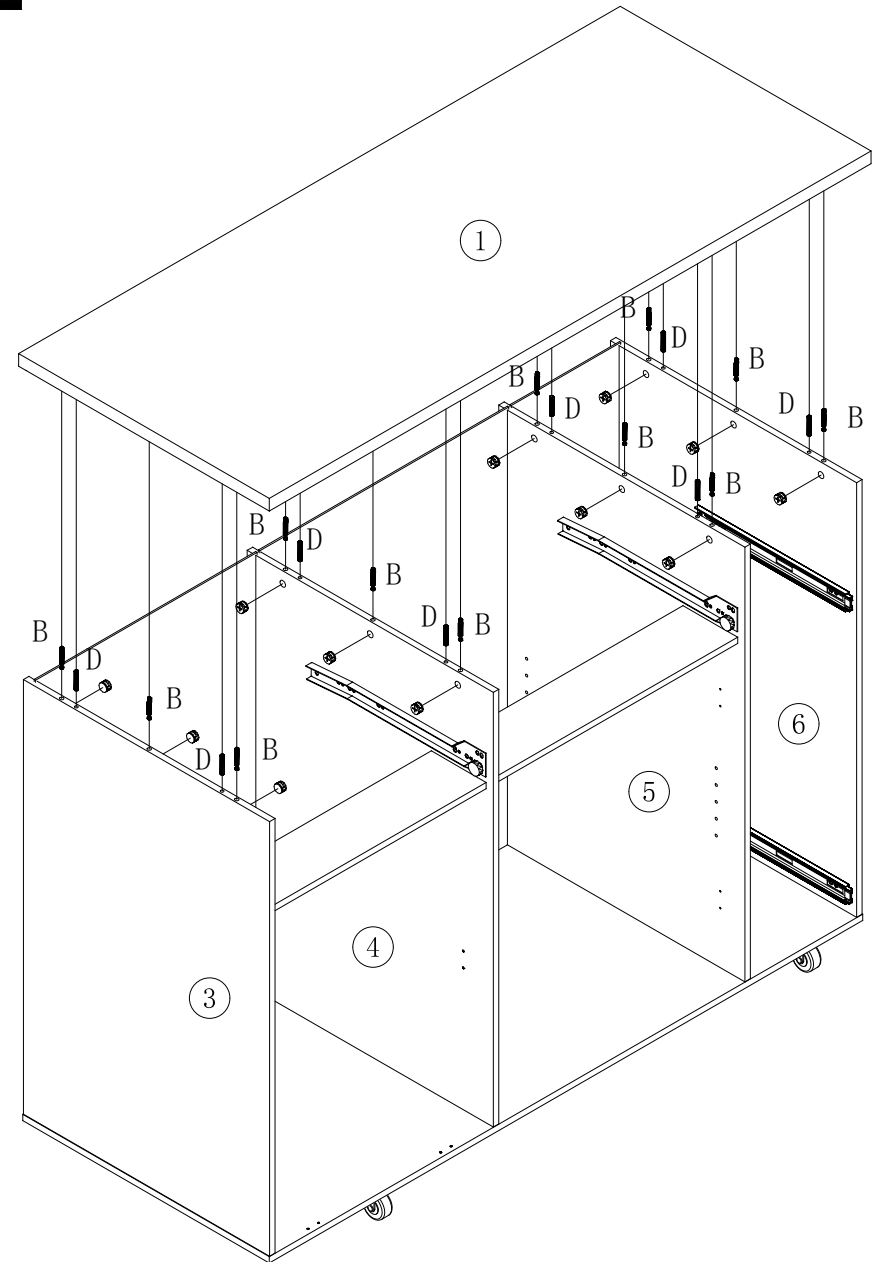





N	 3.5x12	U		V	
	20x		4x		1x

7

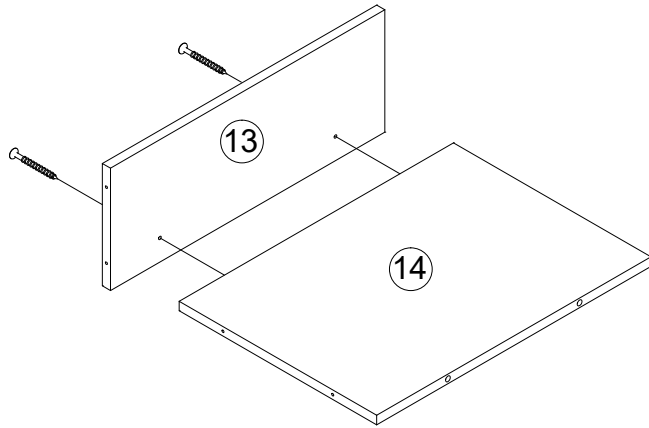


8



B		C		D	 6x30
	12x		12x		8x

9

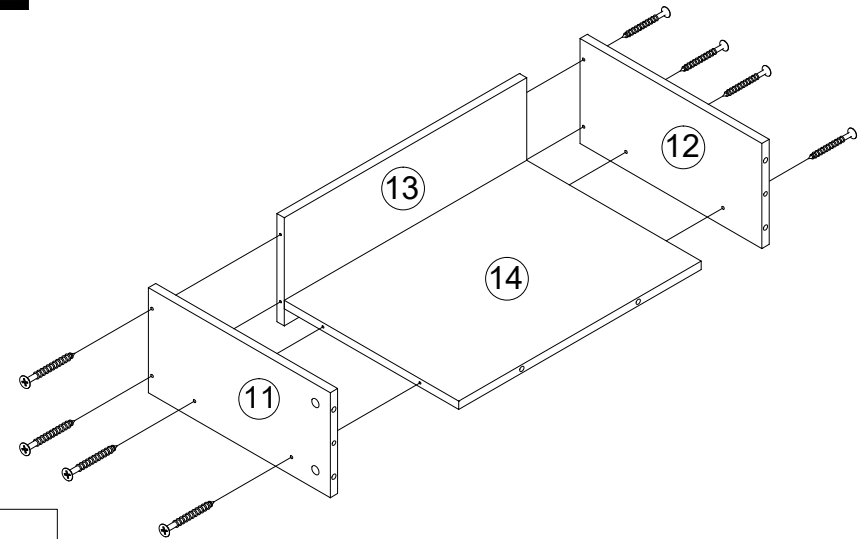


M

3.5x35

2x

10

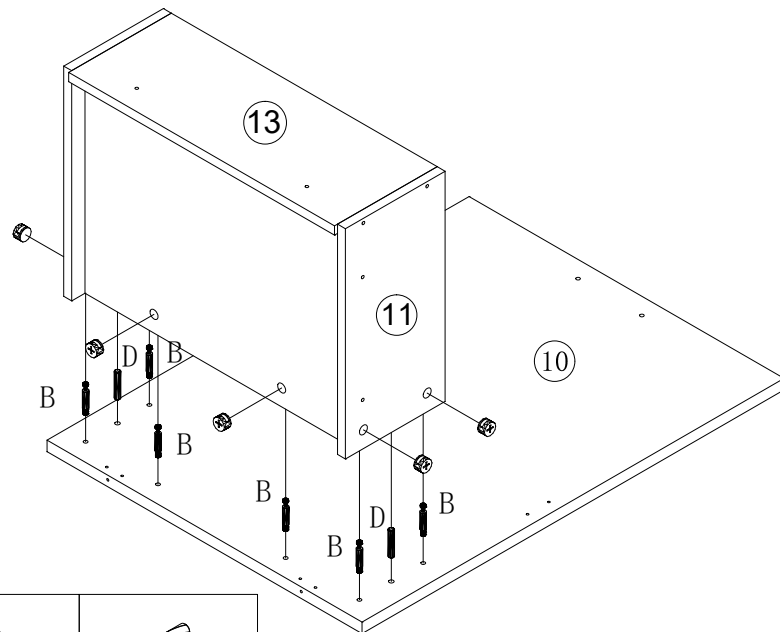


M

3.5x35

8x

11



B

6x

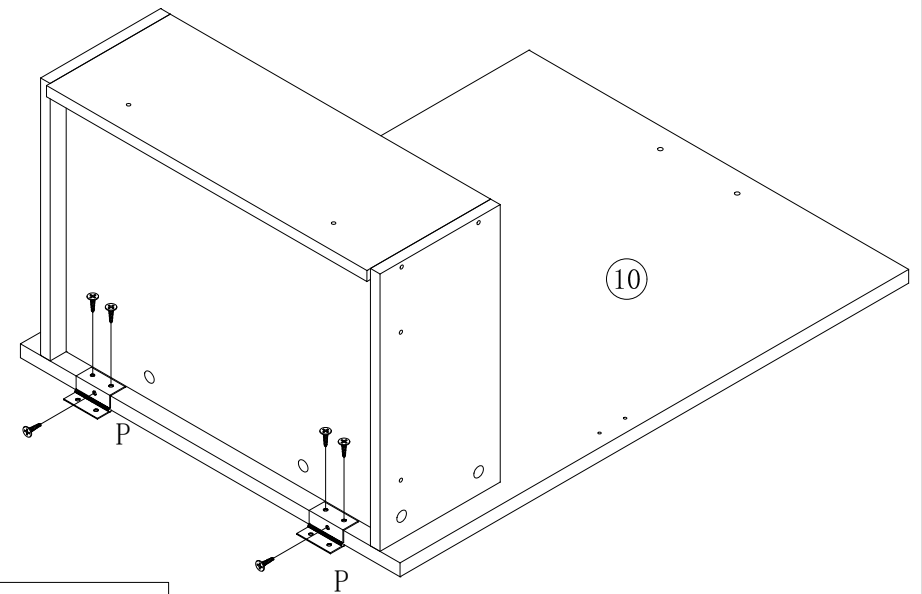
C

6x

D

2x

12



P

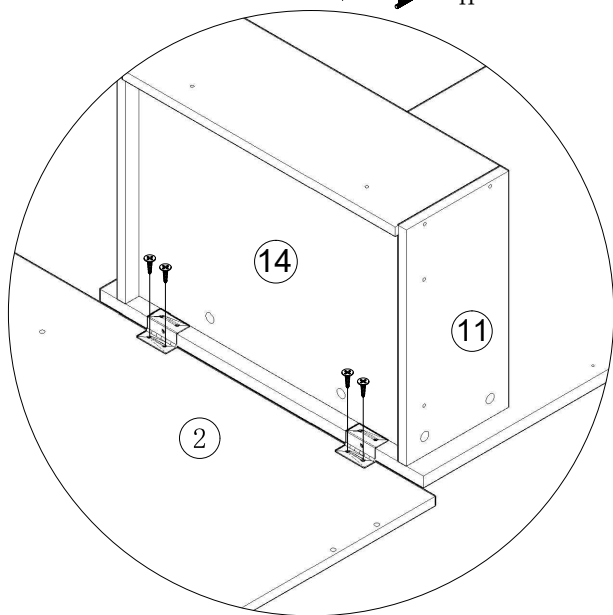
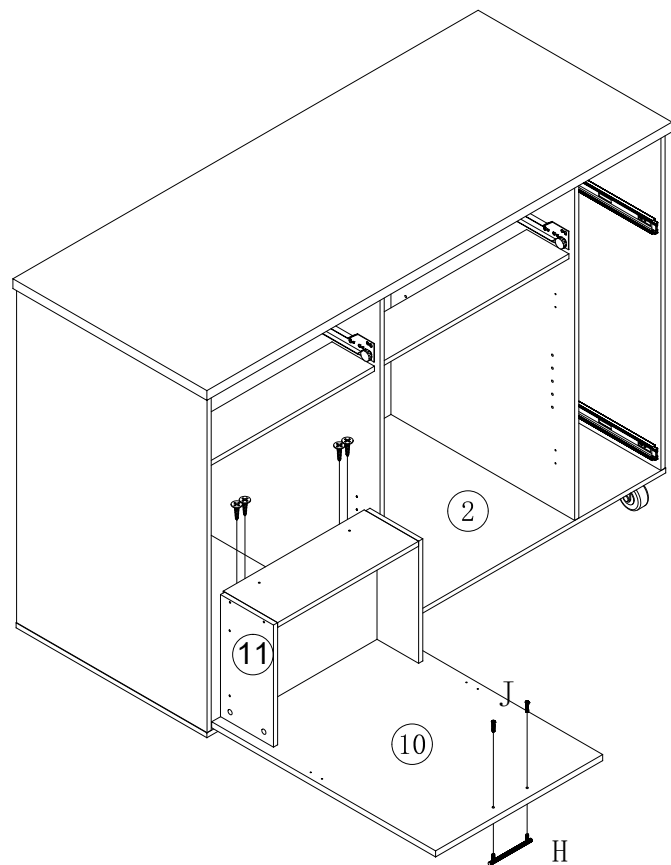
2x

O

3x12

6x

13



H



1x

J



4x21

2x

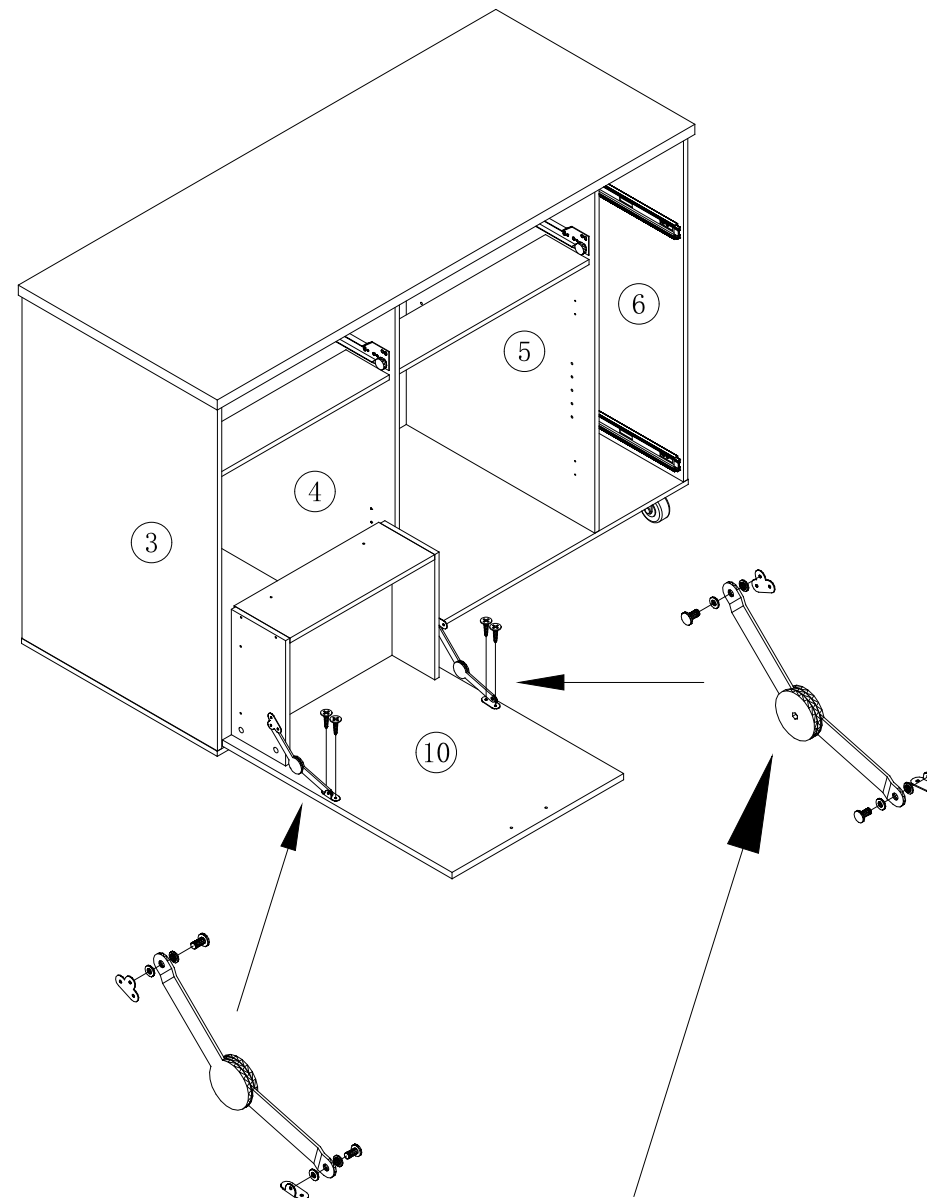
O



3x12

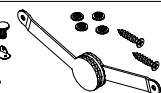
4x

14



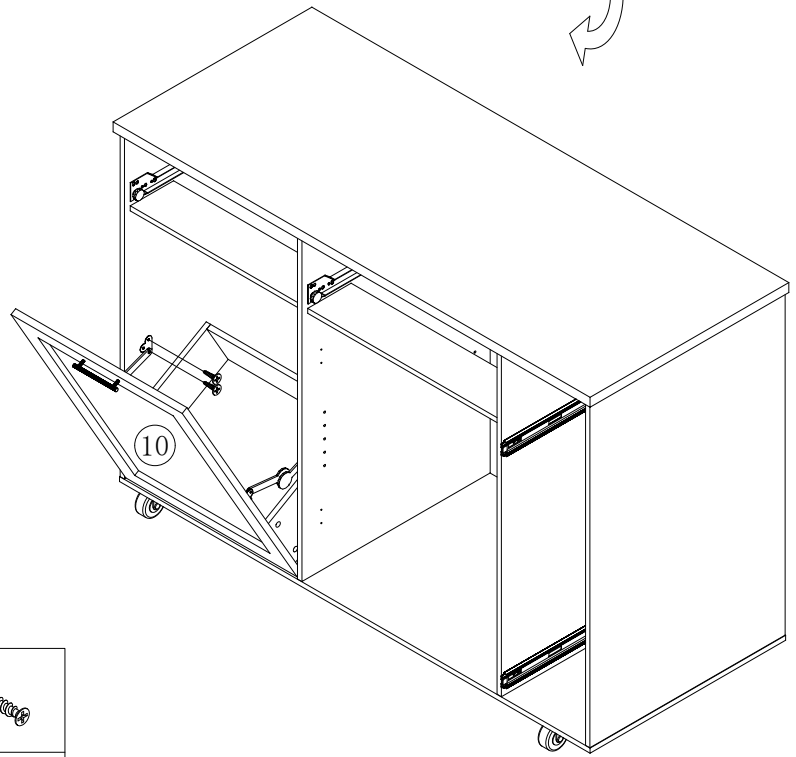
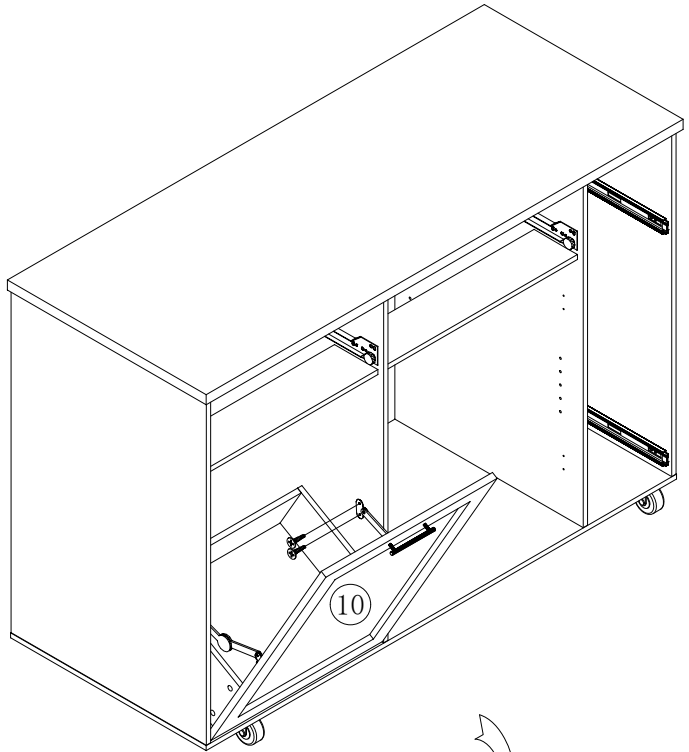
TIPS: If the door opening and closing is too tight after installation, you can loosen the hinges by using hexagonal screws.

S



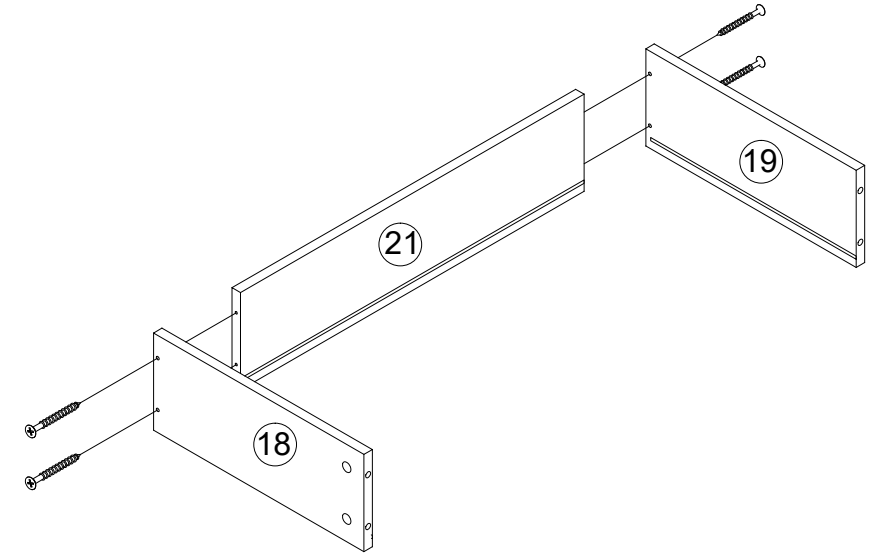
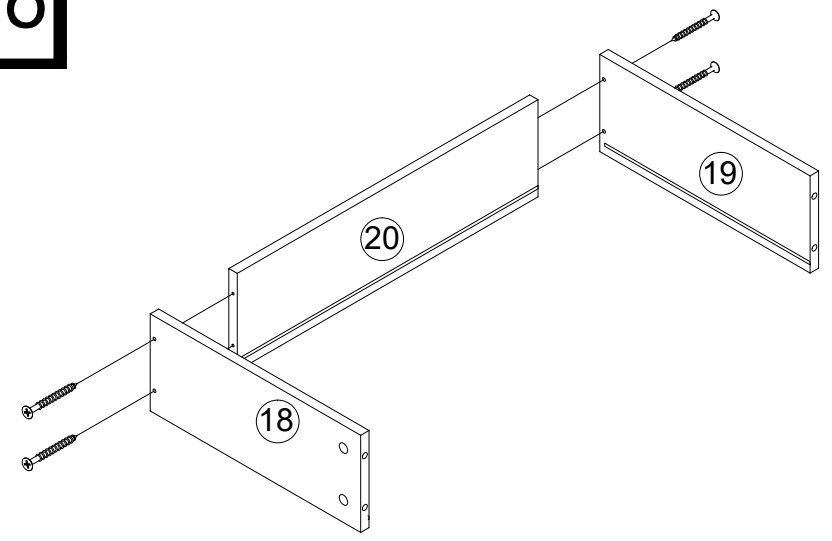
2x

15



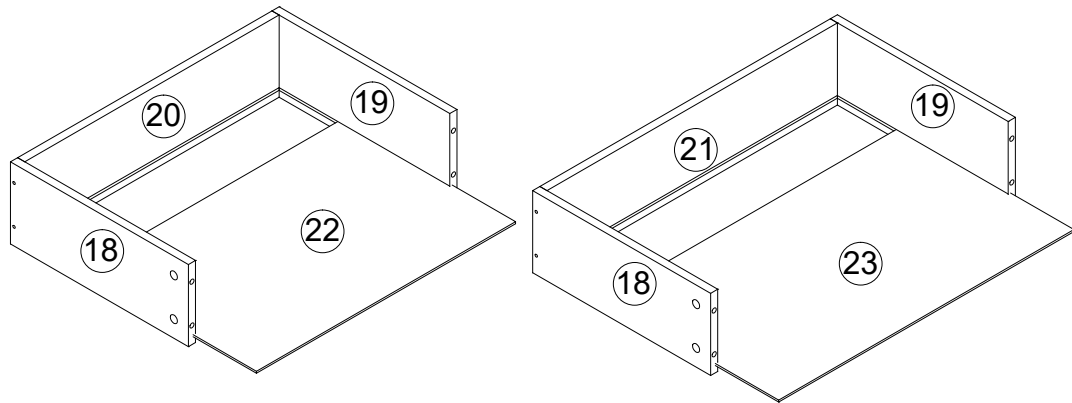
S
2x

16

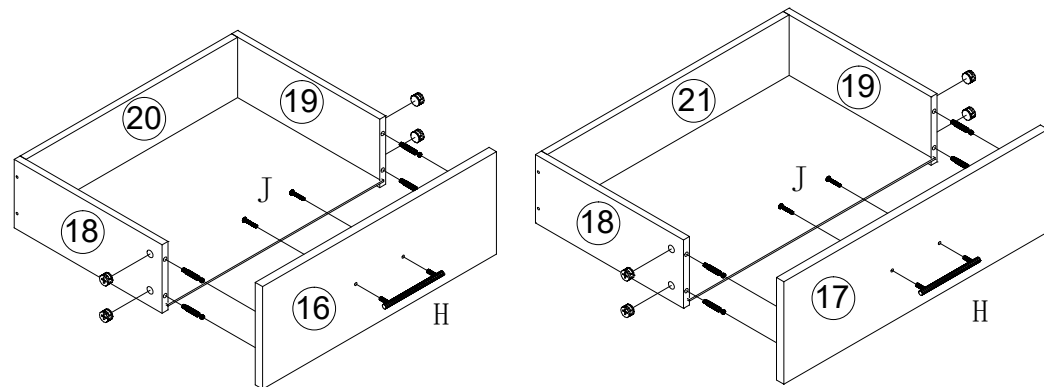






M 3.5x35
8x

17

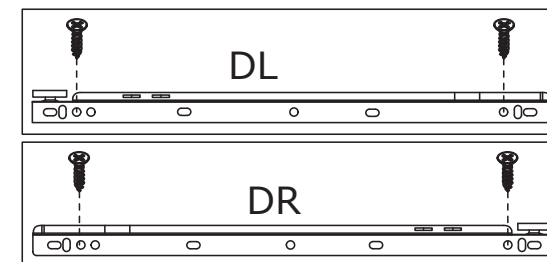
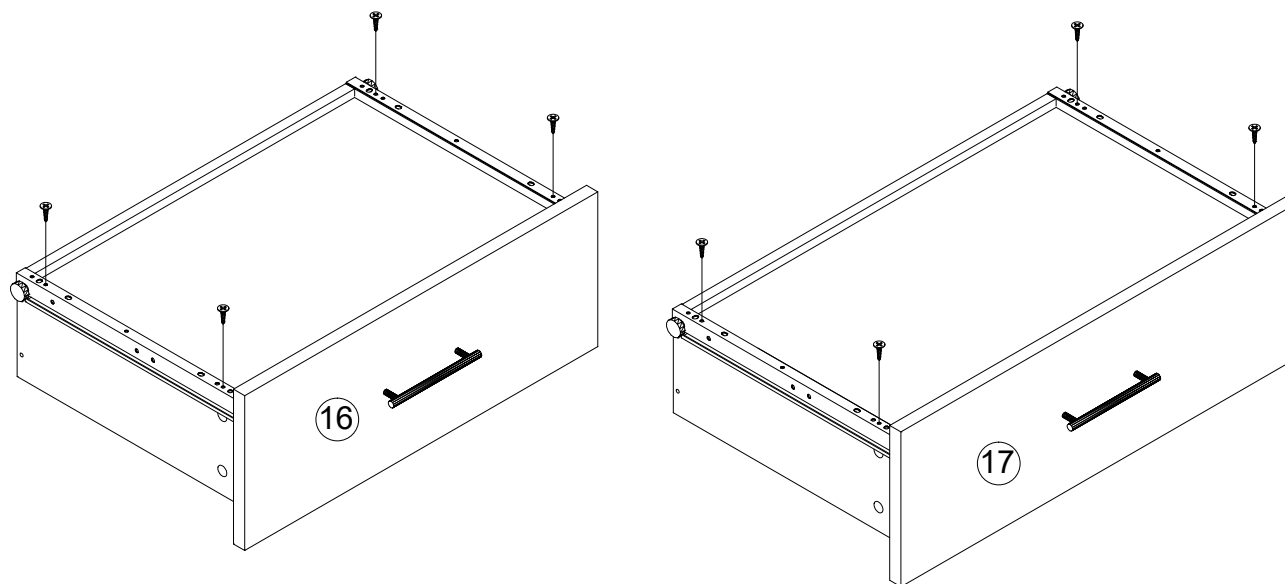




18



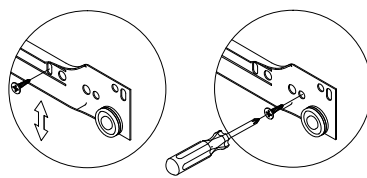
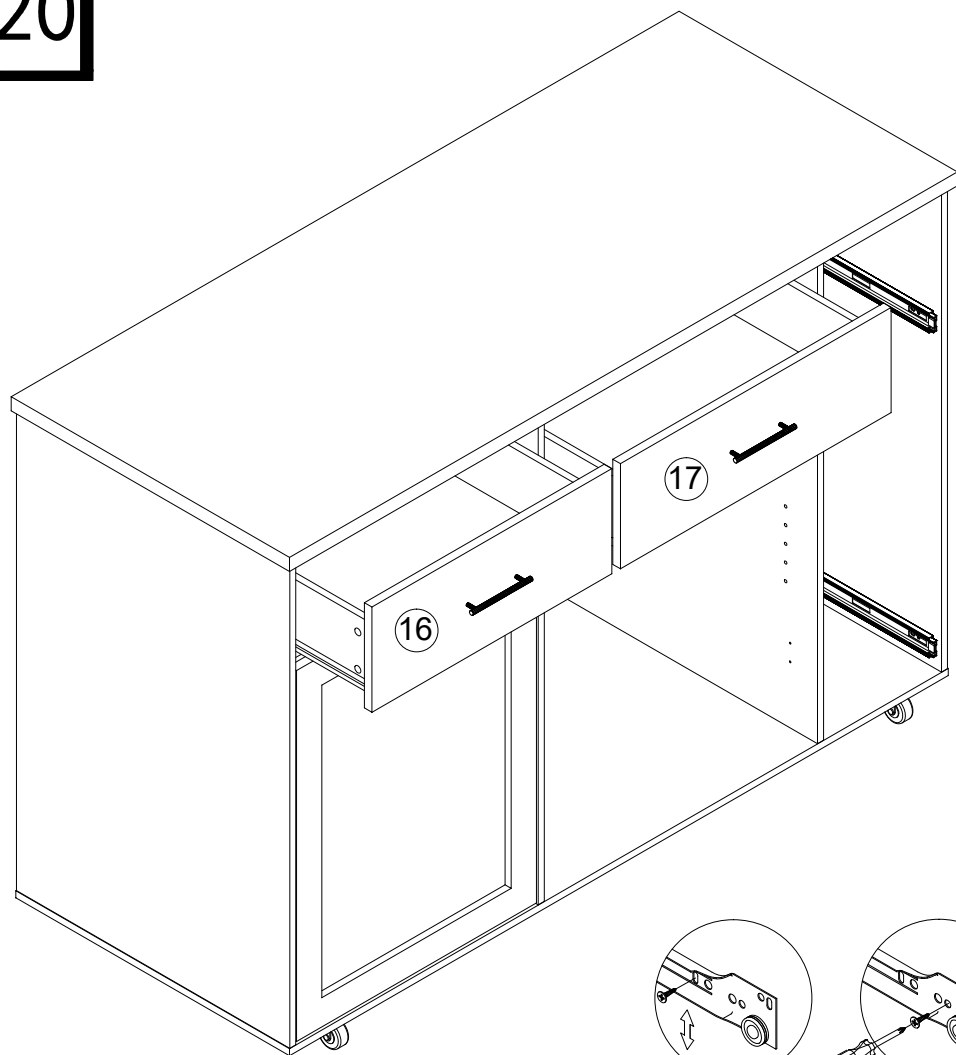
B	C	H	J
			
8x	8x	2x	4x21
			4x

19




F	N
	
2x	3.5x12
	8x

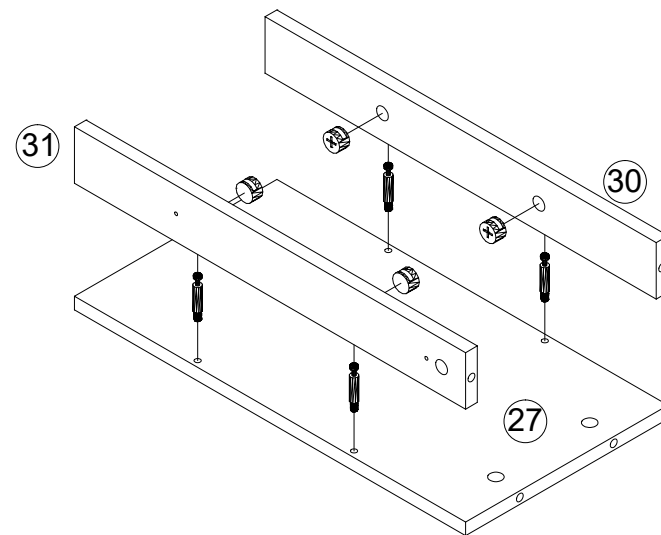
20





Tight the Third screw after drawer adjusted in a Suitable location

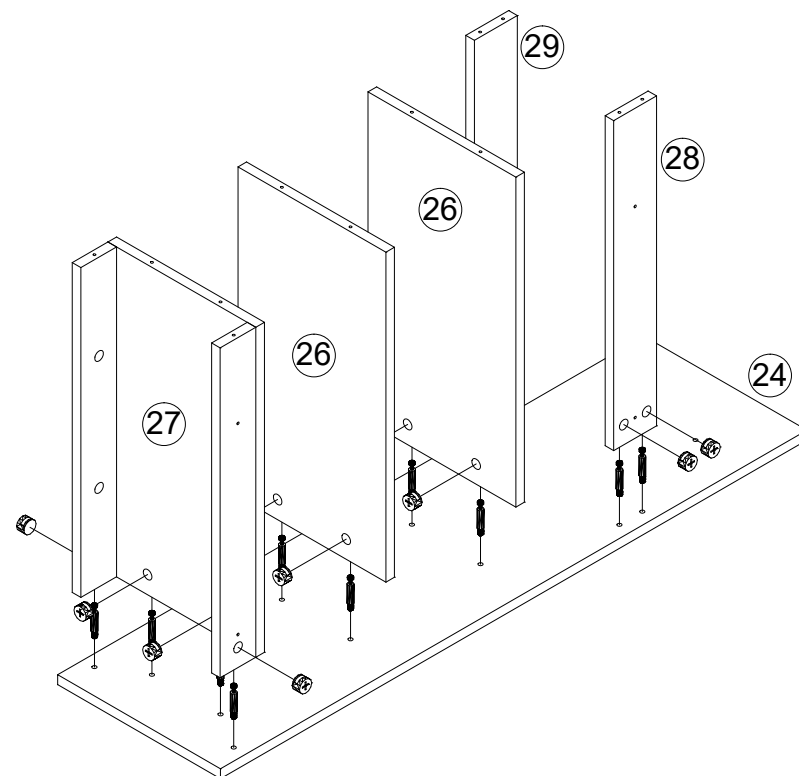
N		3.5x12
4x		



21



B		C	
4x		4x	

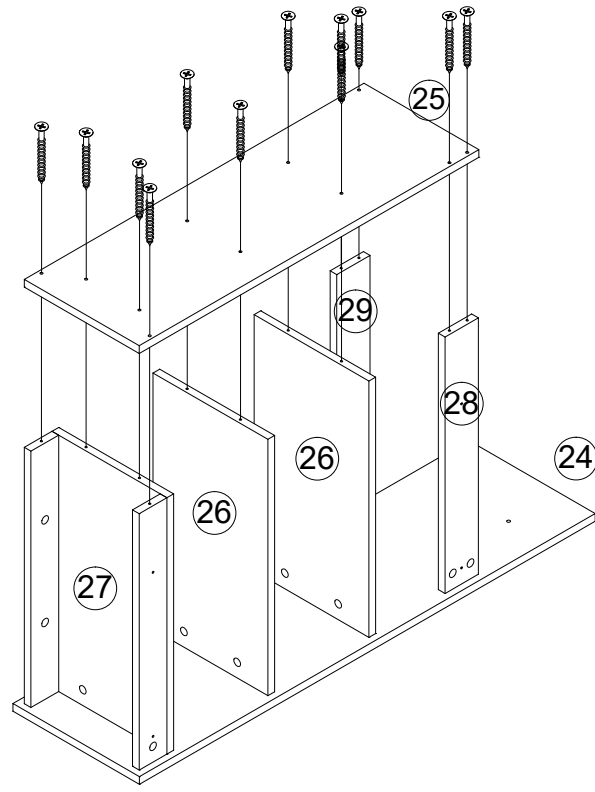
22




C		12x
B		12x


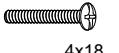
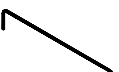
23

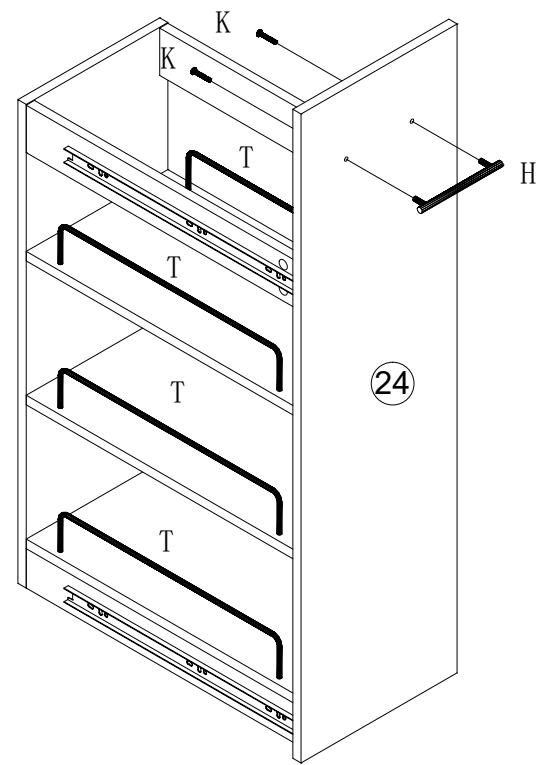
TIPS: First, align all the #M components with the holes on the bottom board, then tighten the screws. During the process, insert them slowly. If you notice any misalignment, please unscrew them and recheck the hole positions.



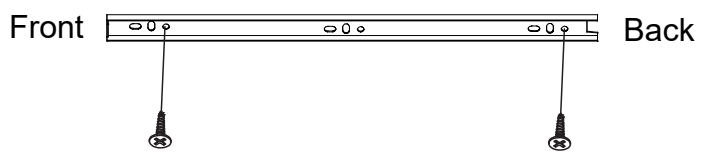
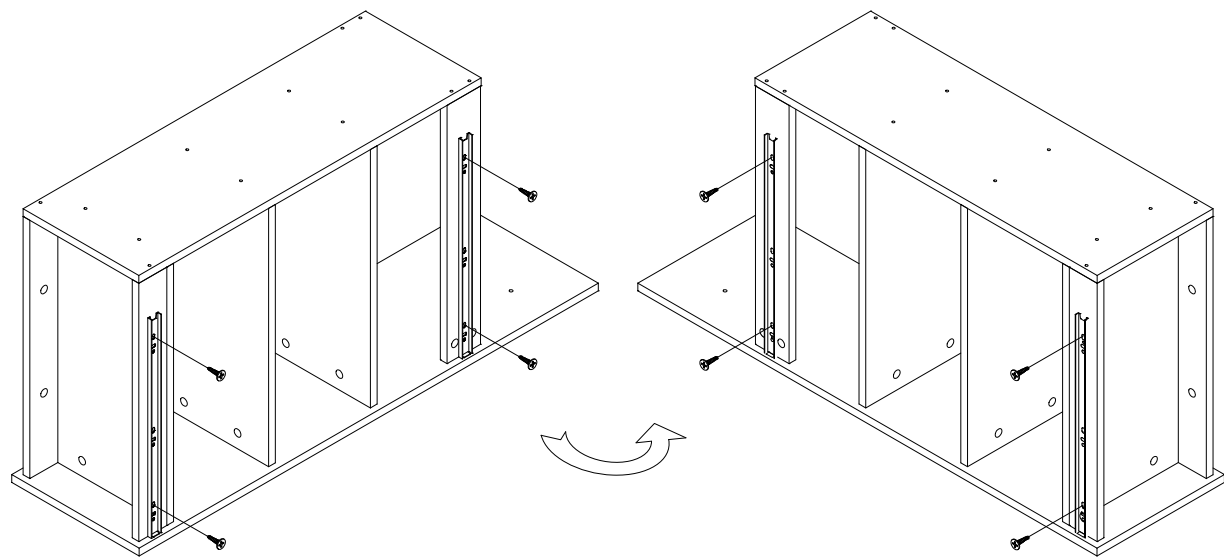
M		3.5x35
		12x



25

H		1x
K		4x18
		2x
T		6x

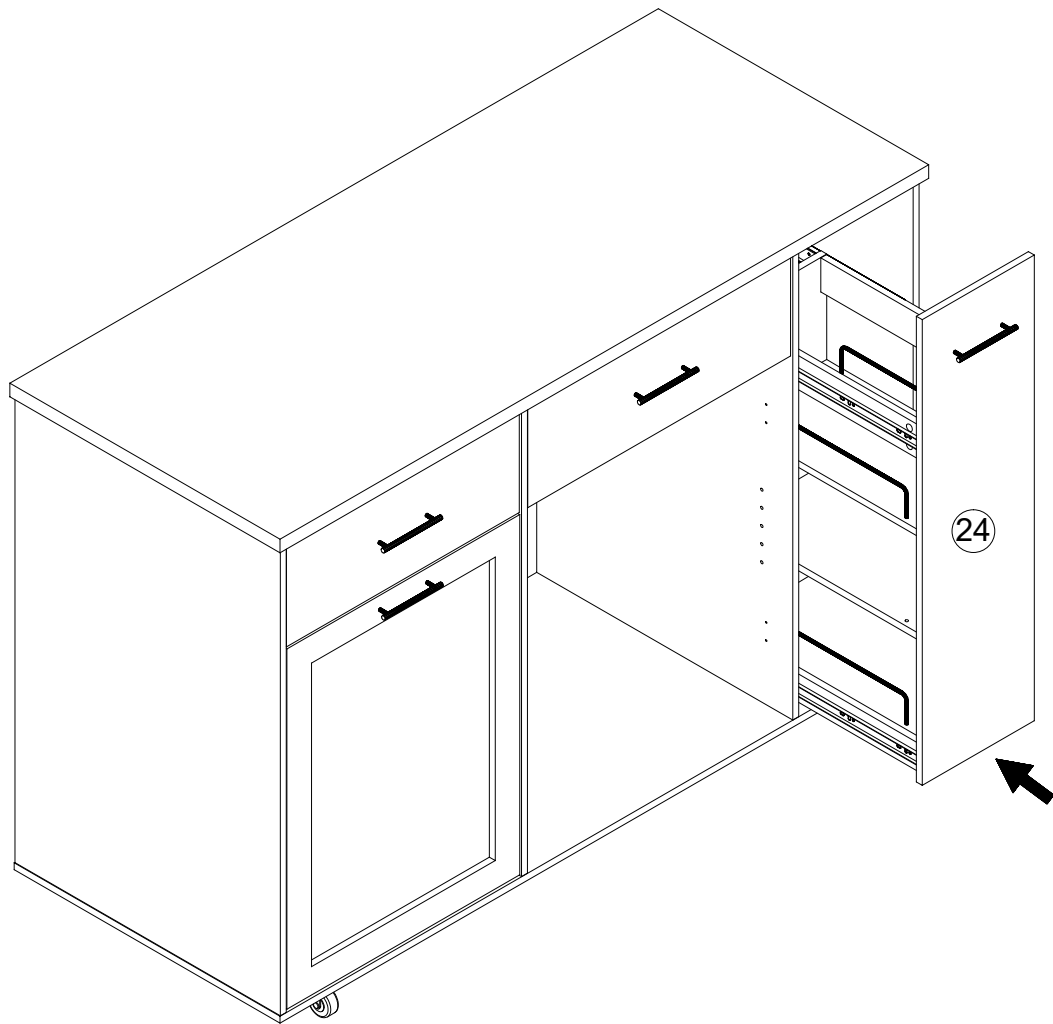


24

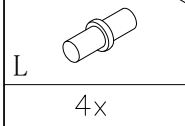
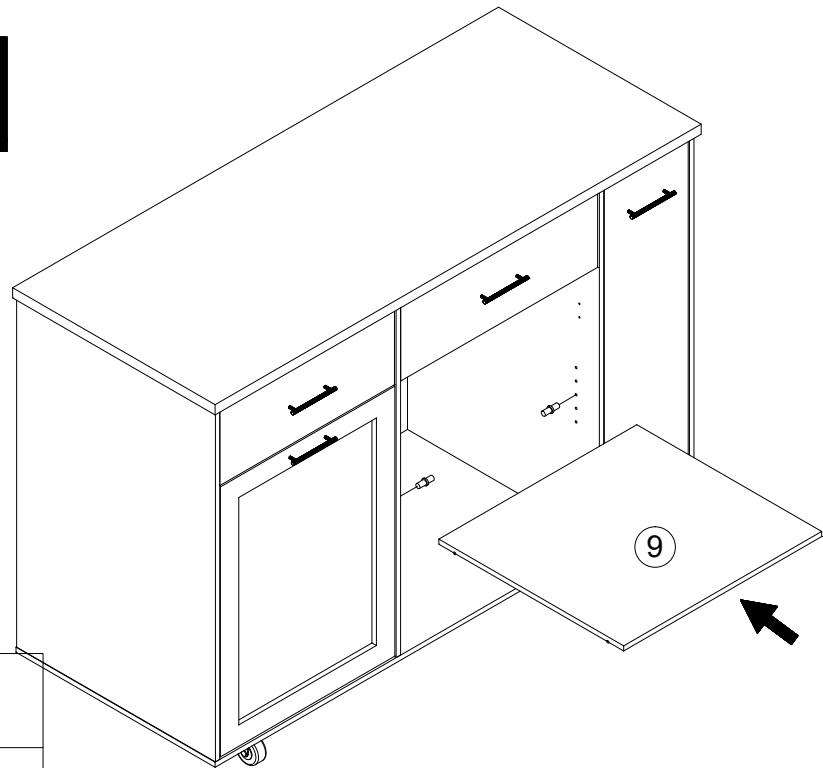


G		2x
N		3.5x12
		8x

26

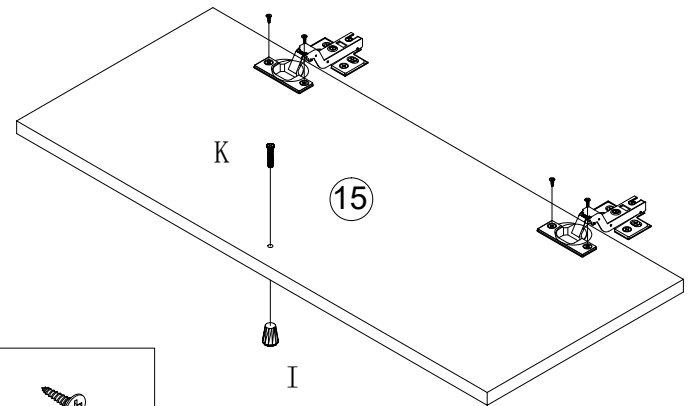


27



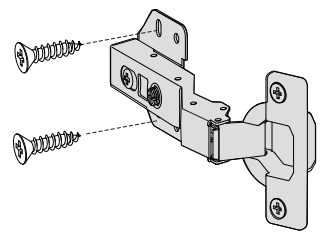
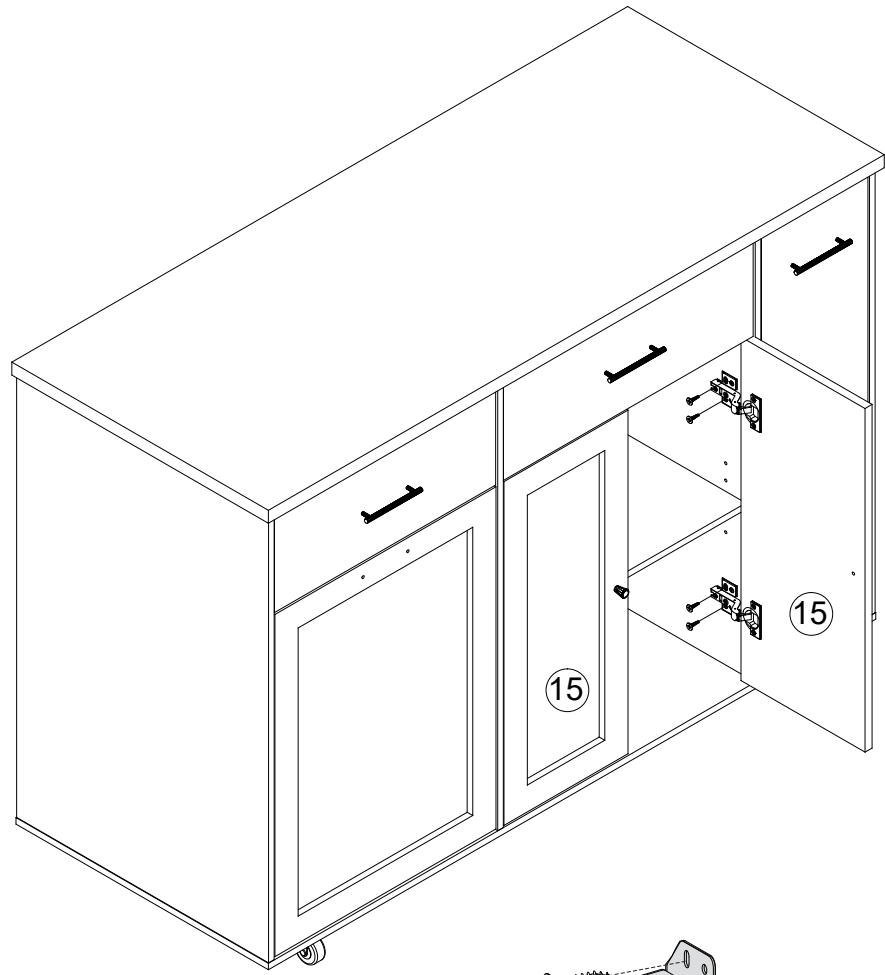
28

X2



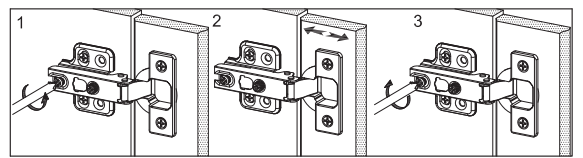
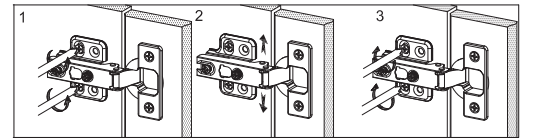
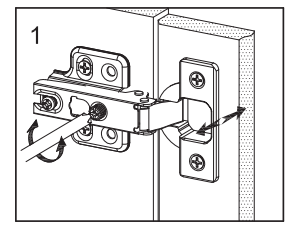
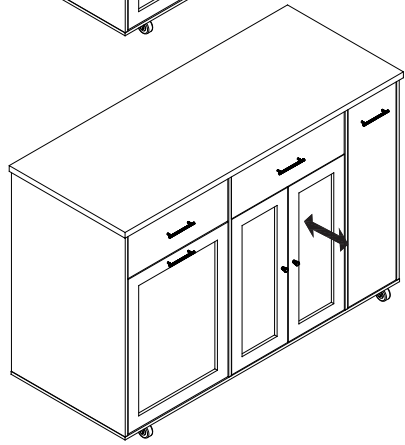
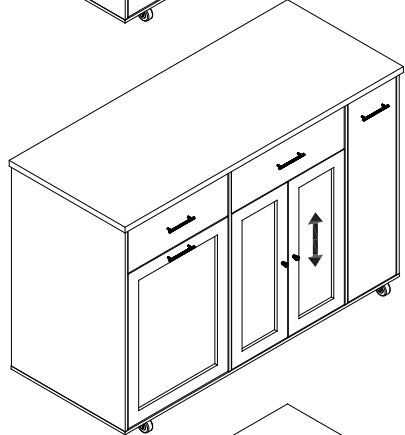
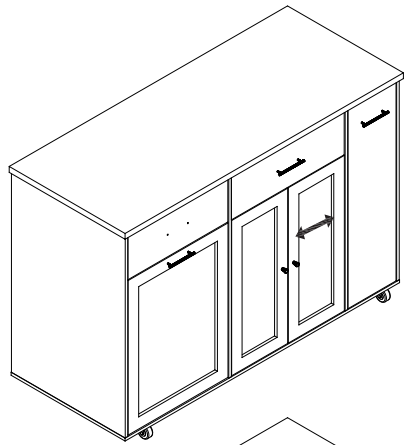
A	N
4x	3.5x12 8x
I	K
2x	4x18 2x

29

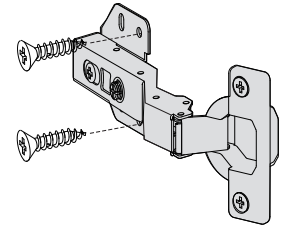
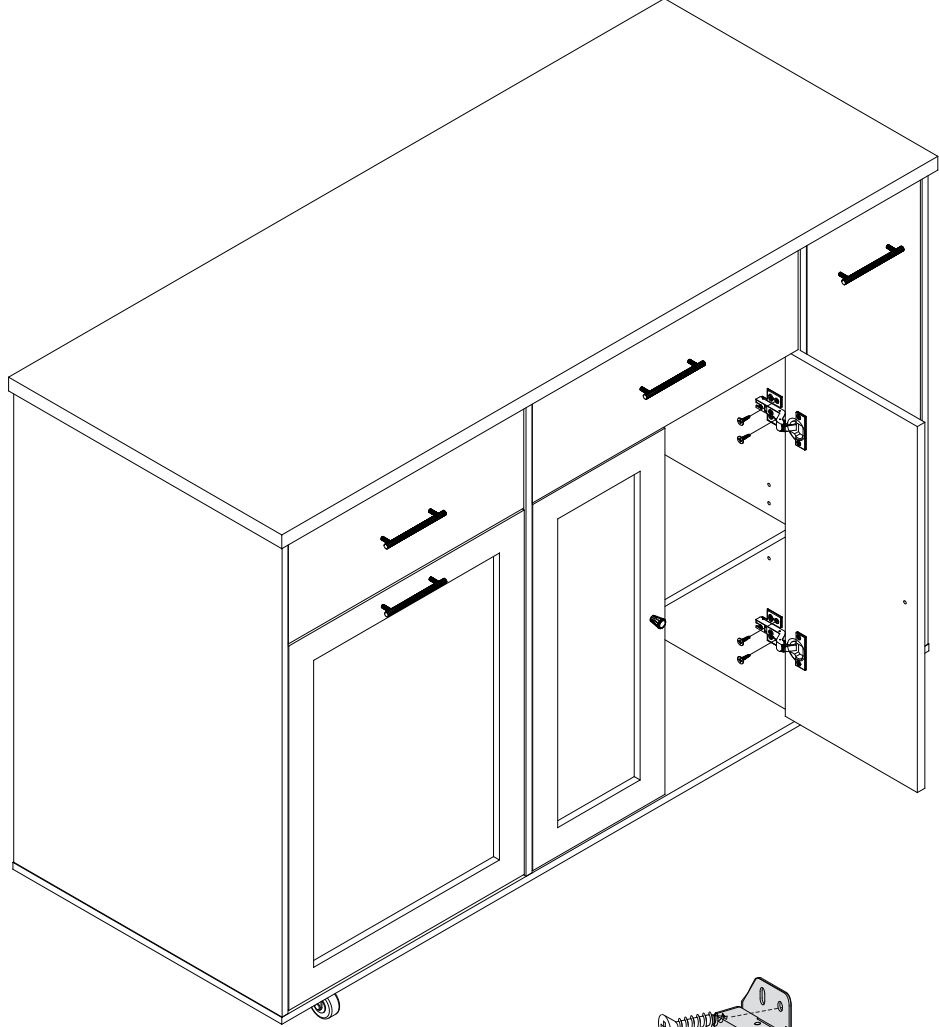


N
3.5x12
8x

30 **!** Adjusting the doors (Adjusting the hinges)

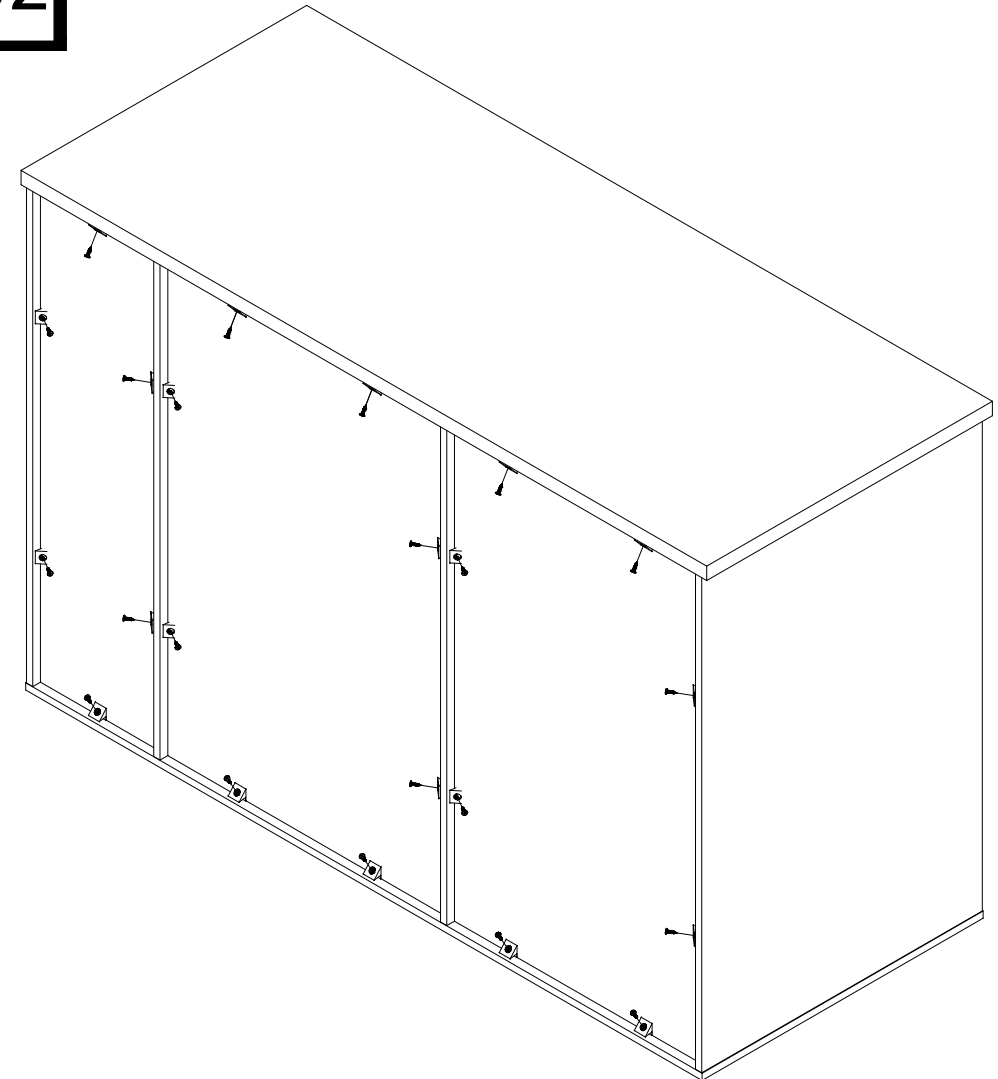


31



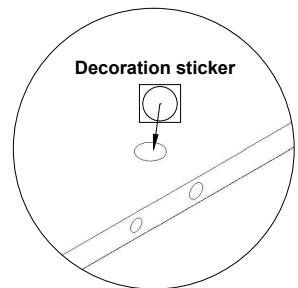
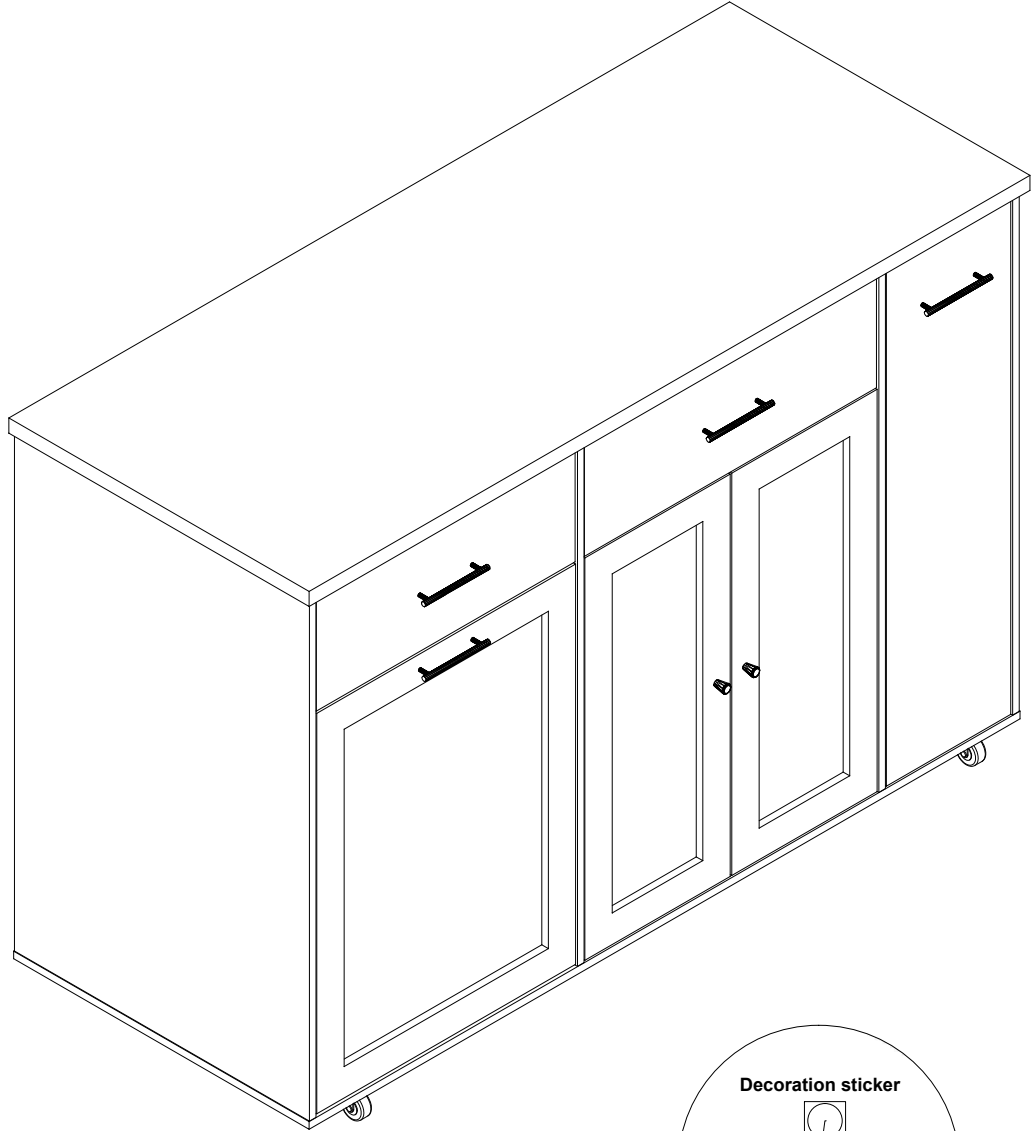
N
3.5x12
8x


32



Q
22x

33



R  $\phi 20$
50x