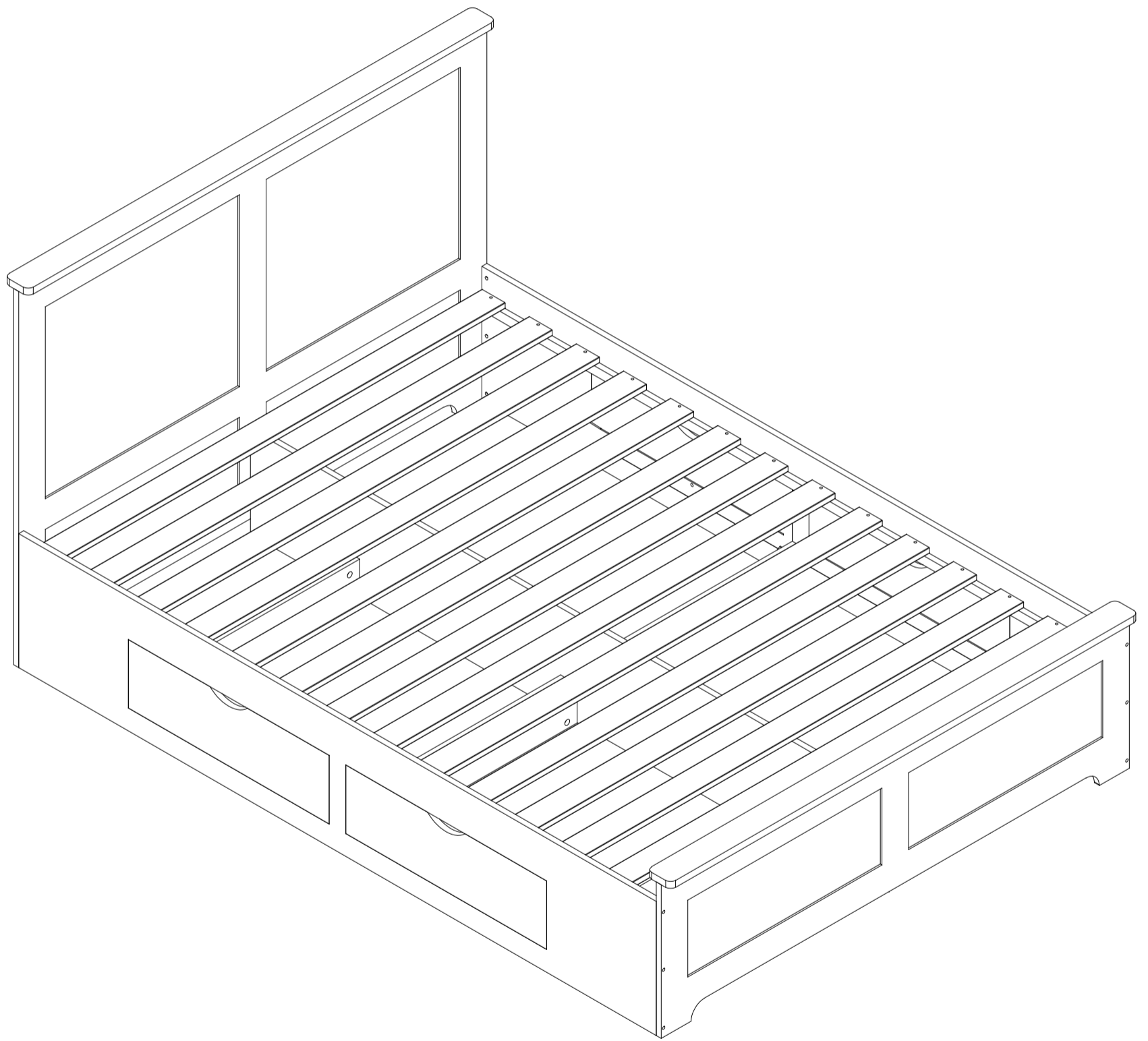
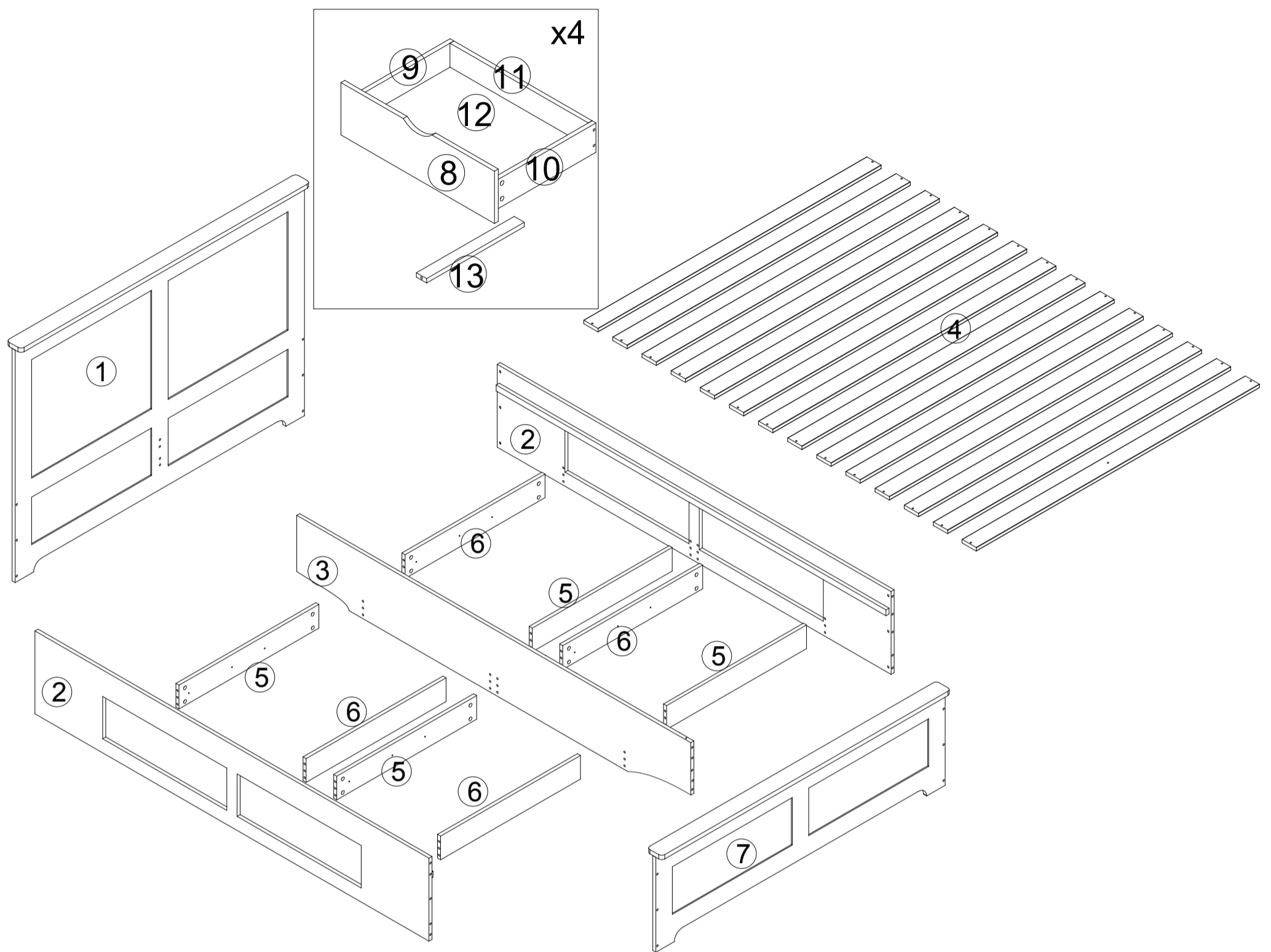
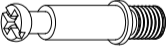
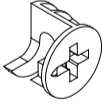
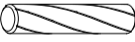
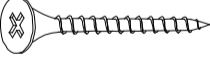
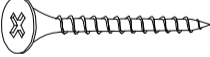
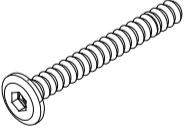

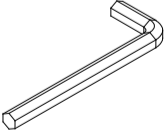
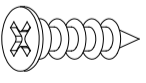

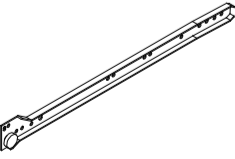
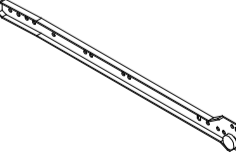
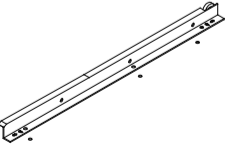
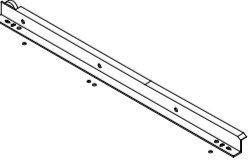
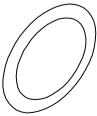


# CONWAY 4 DRAWER 4'6" BED ASSEMBLY INSTRUCTION

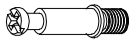
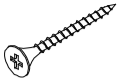


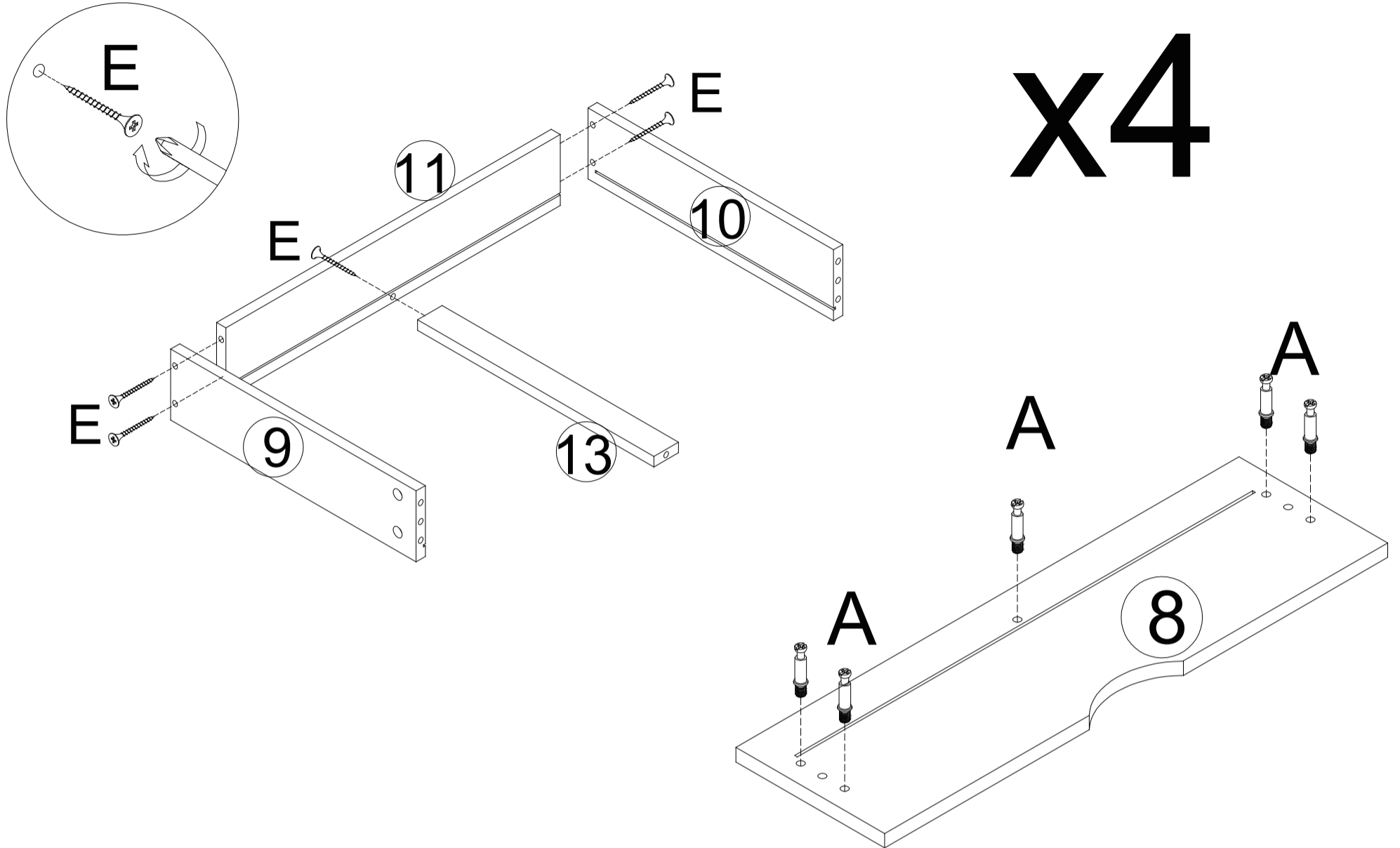


Please take note, drawer parts are packed in Carton 2 of 2

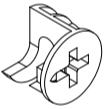

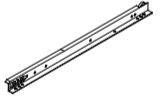
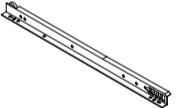

 6x35MM A x 55	 B x 55	 8x30MM C x 28	 4x30MM D x 29	 4x35MM E x 20	 6x45MM F x 14	 G x 14
 H x 1	 3.5x12MM J x 48	 8x60MM K x 4	 CL x 4	 CR x 4	 DL x 4	 DR x 4
 L x 14						

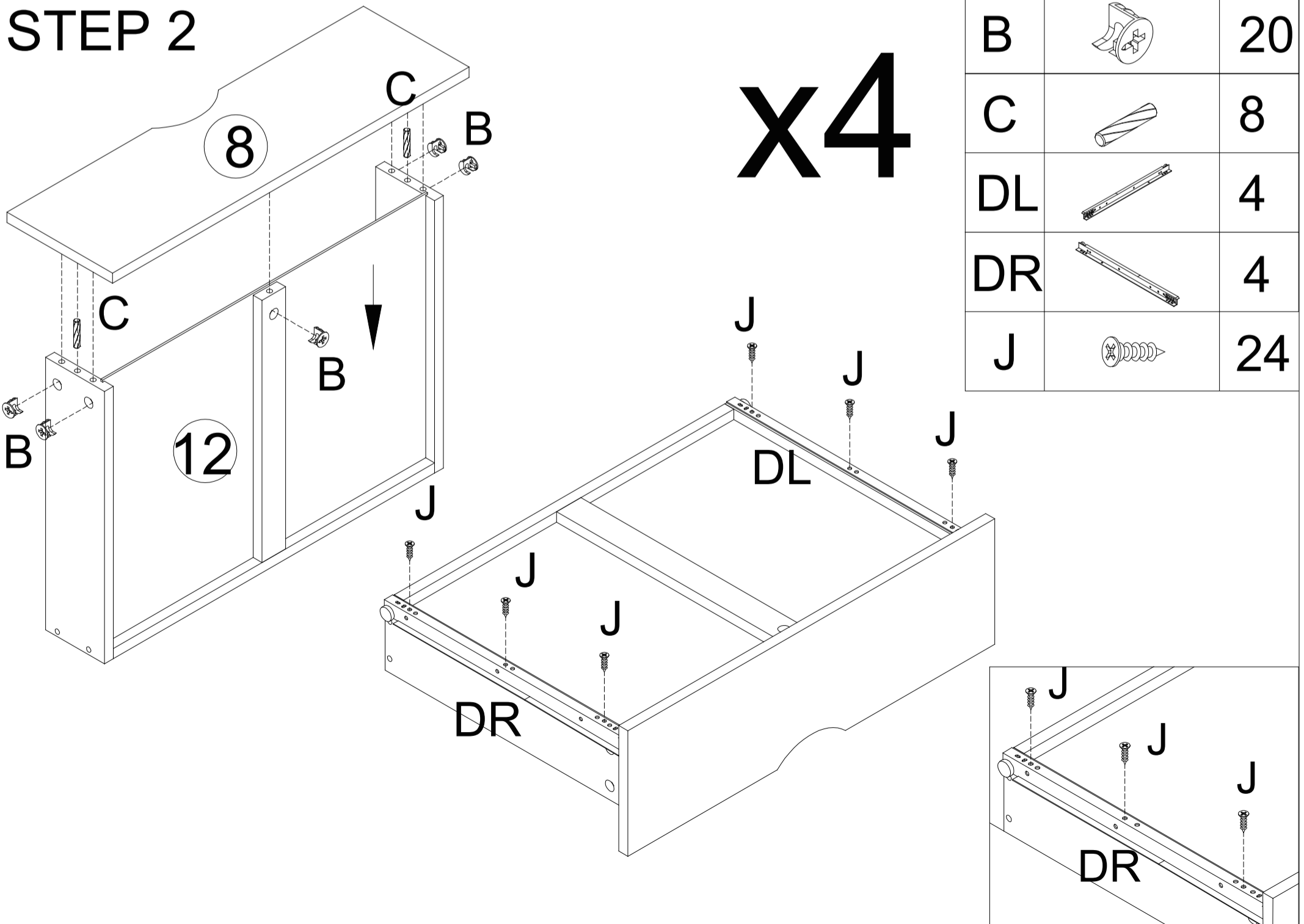
# STEP 1

A		20
E		20

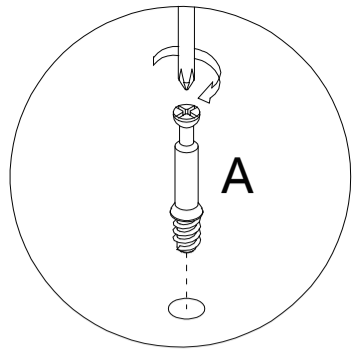


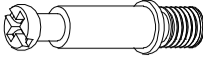

# STEP 2

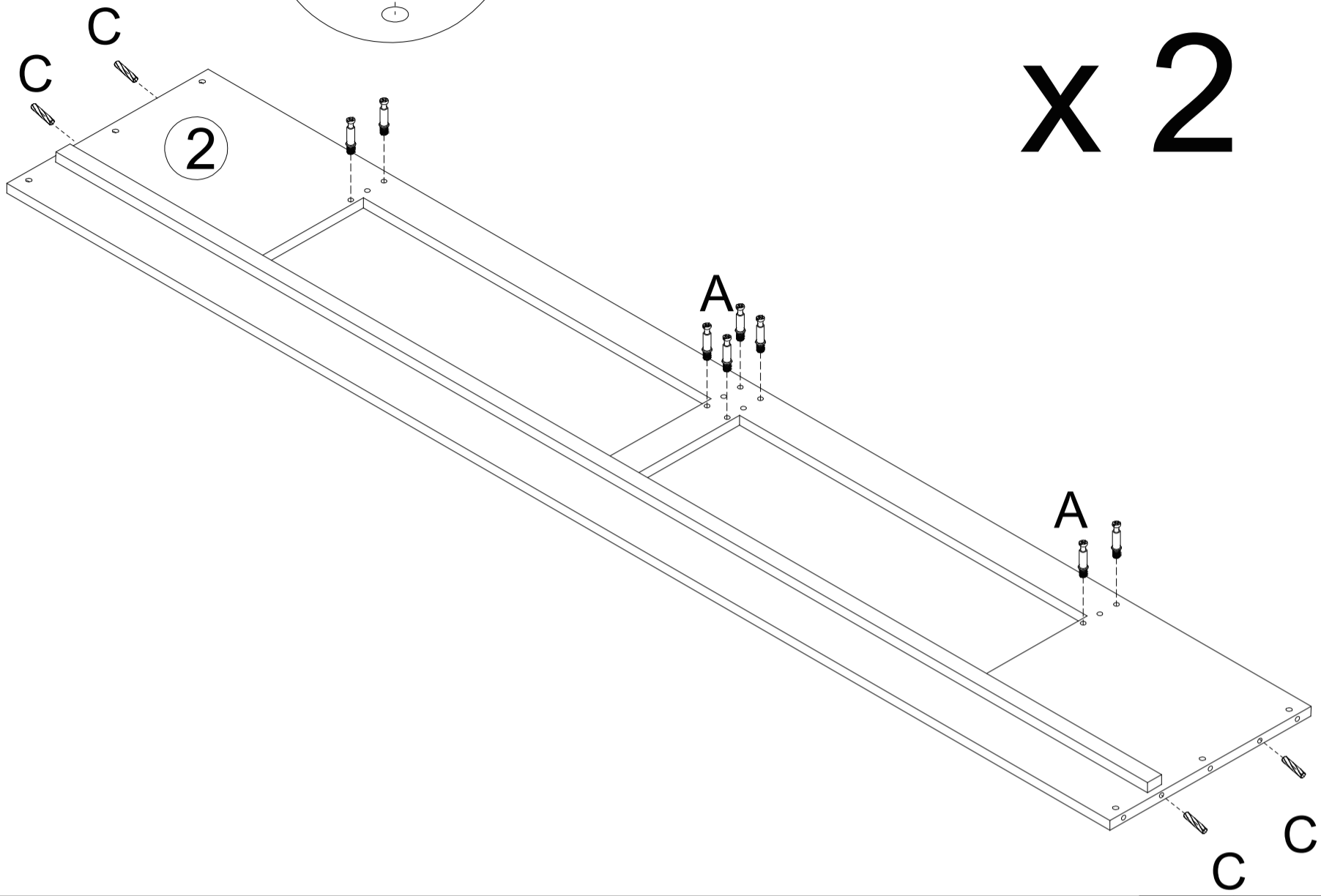
B		20
C		8
DL		4
DR		4
J		24





# STEP 3

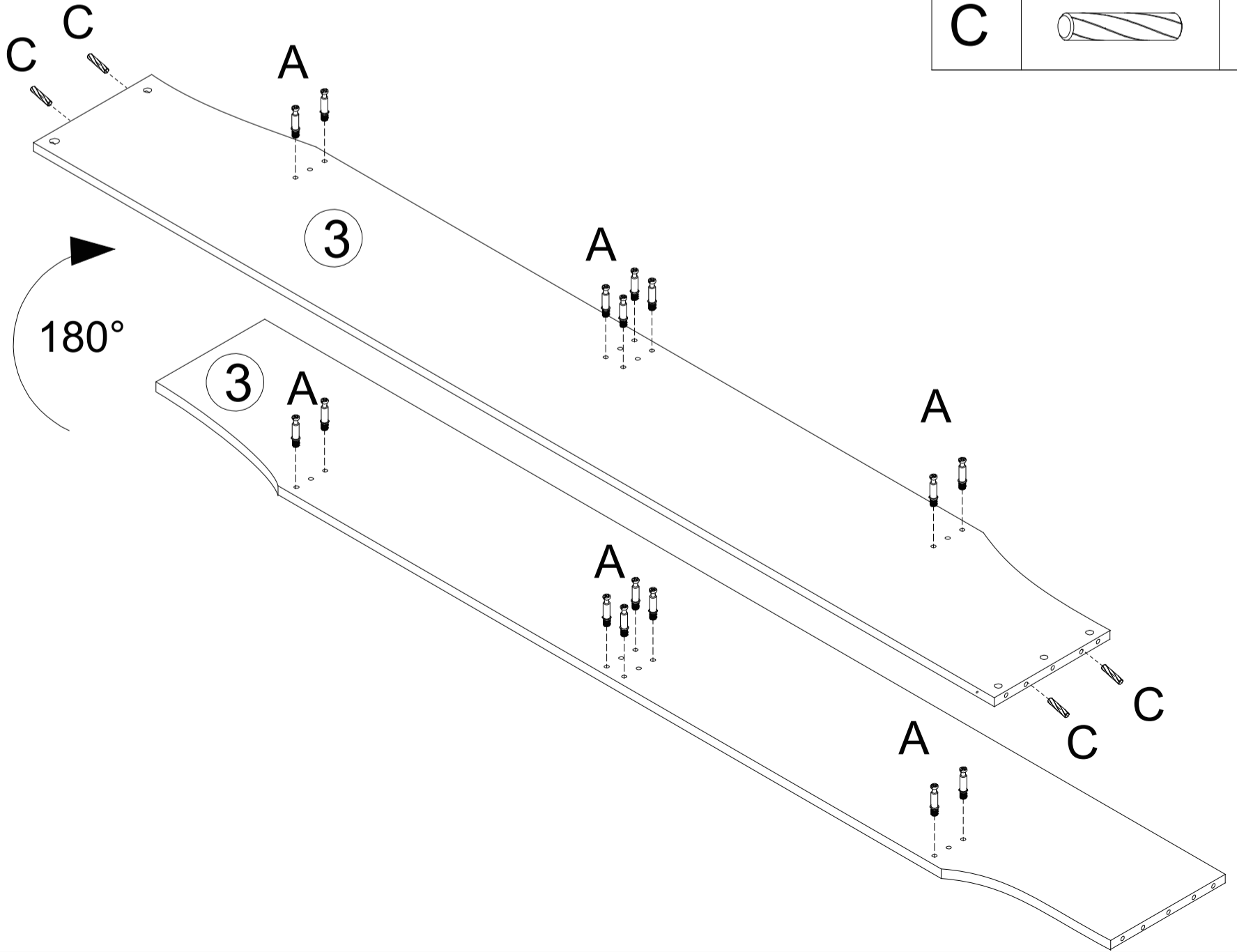


A		16
C		8

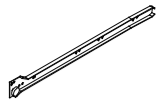
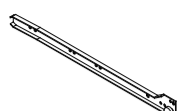
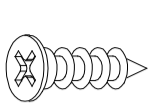


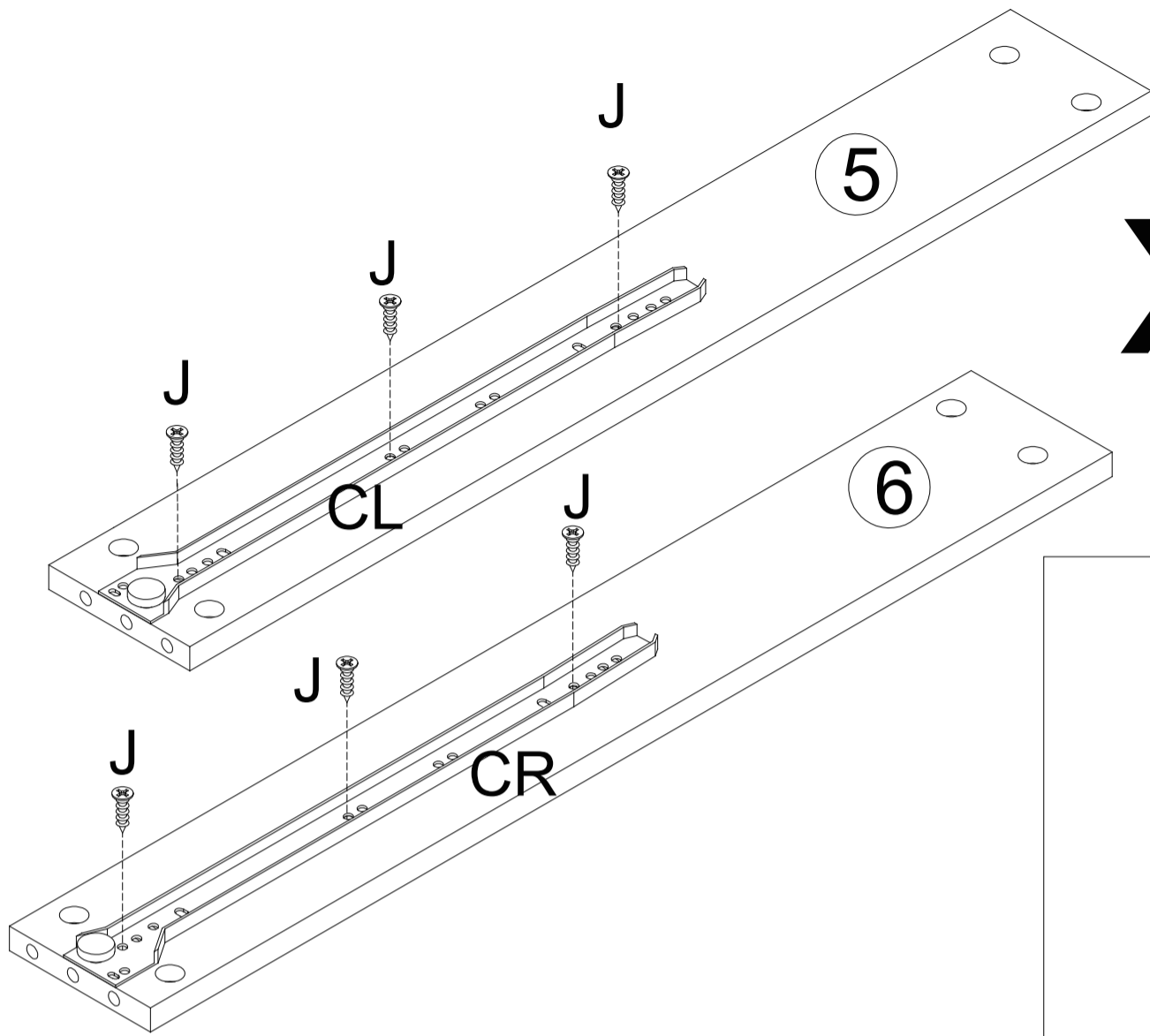
# STEP 4

A		16
C		4

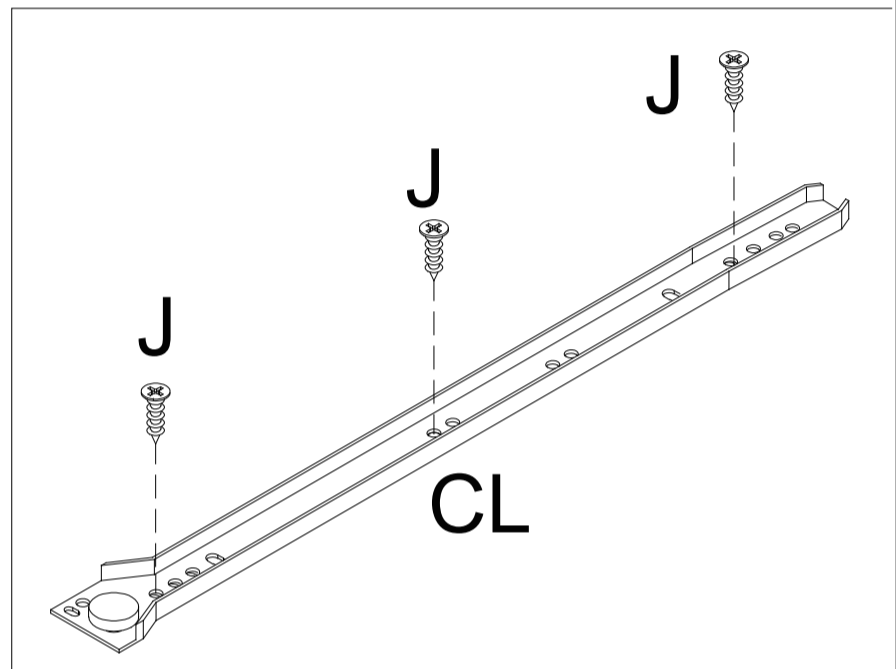


# STEP 5

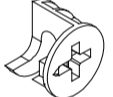

CL		4
CR		4
J		24

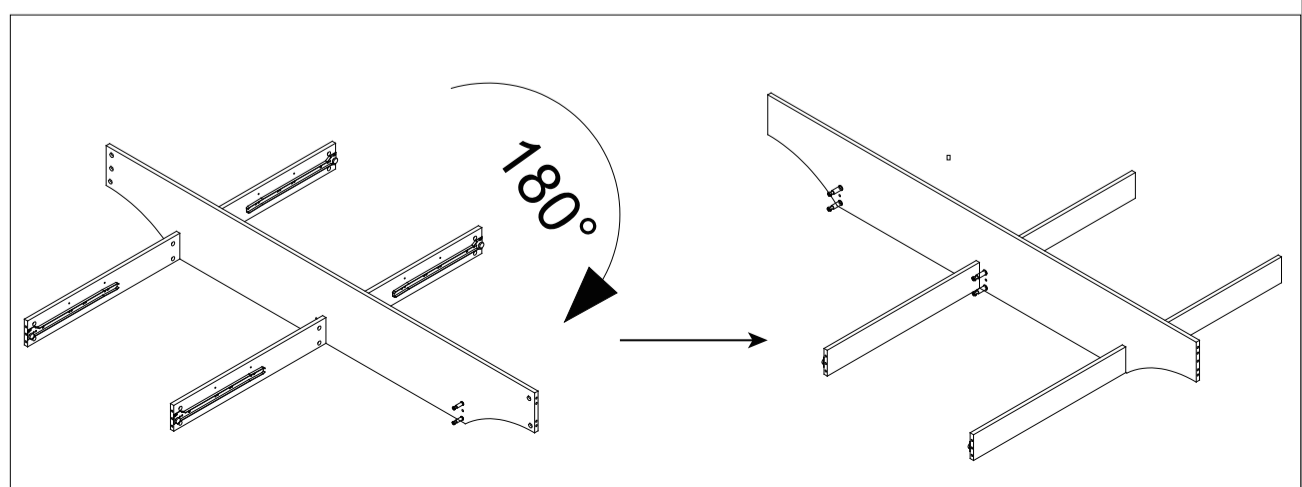
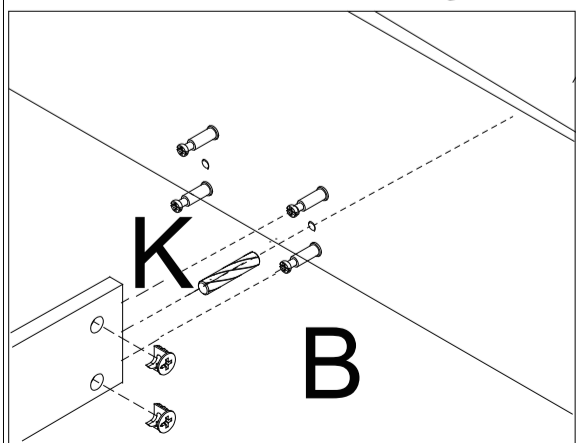
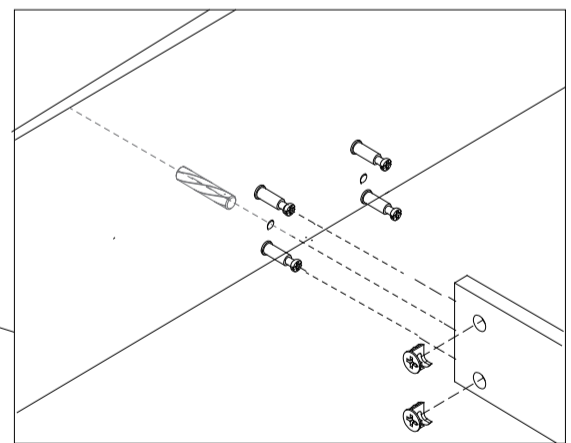
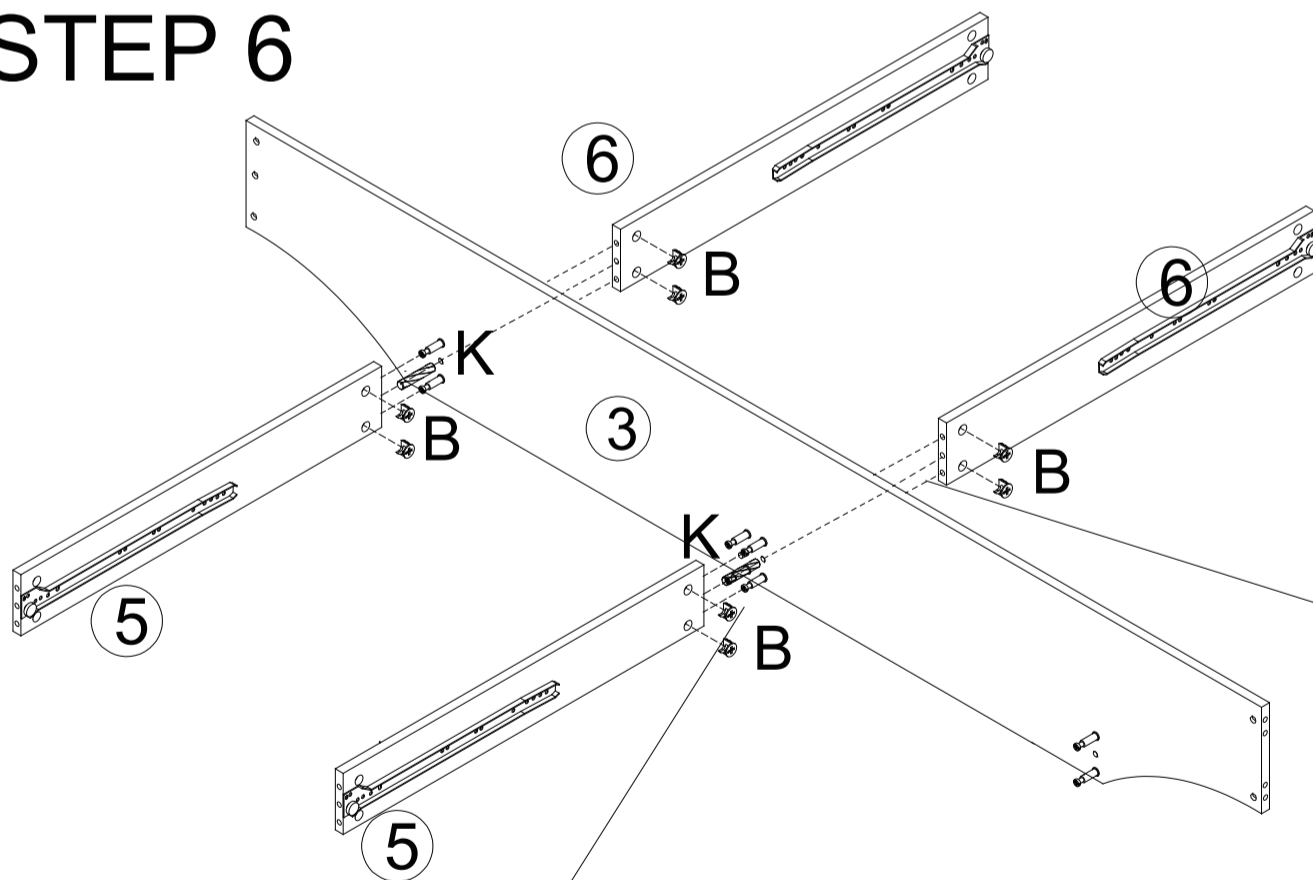


# x4

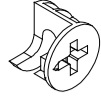
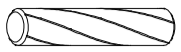


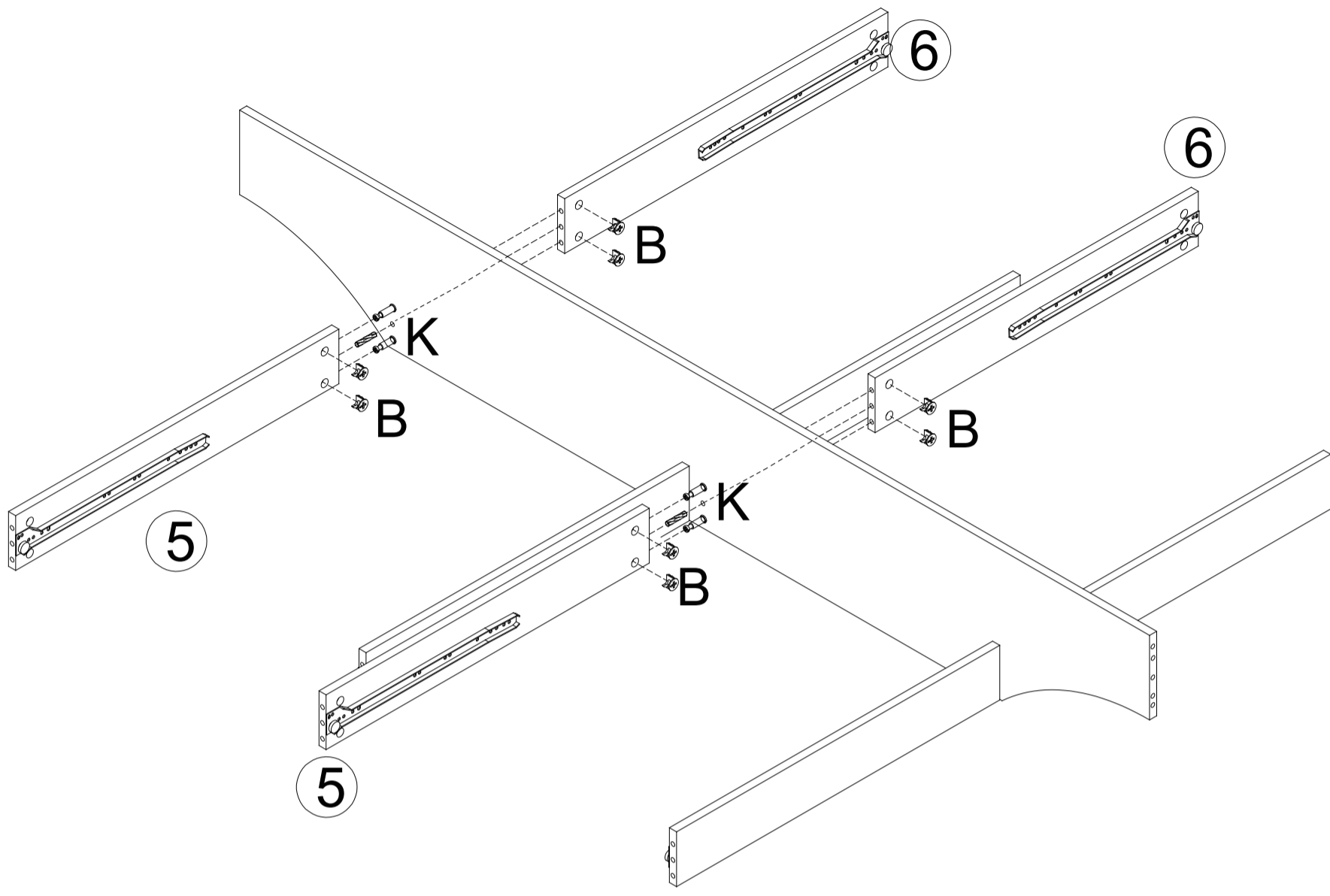
# STEP 6

B		8
K		2

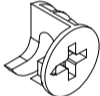



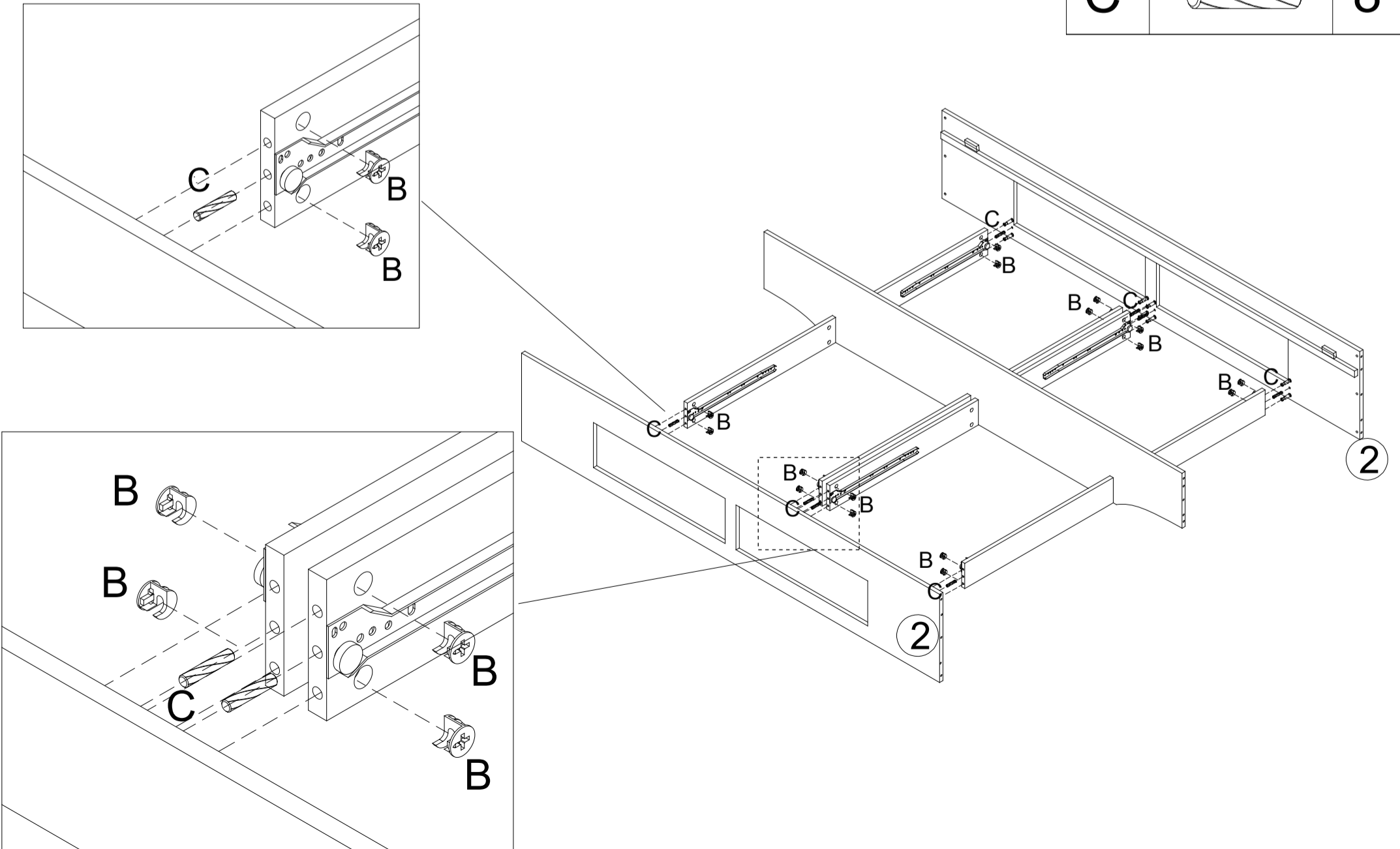
# STEP 7

B		8
K		2

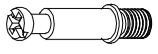
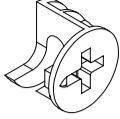
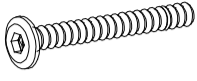

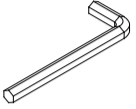



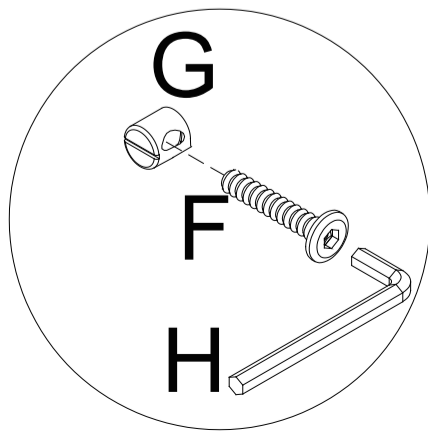
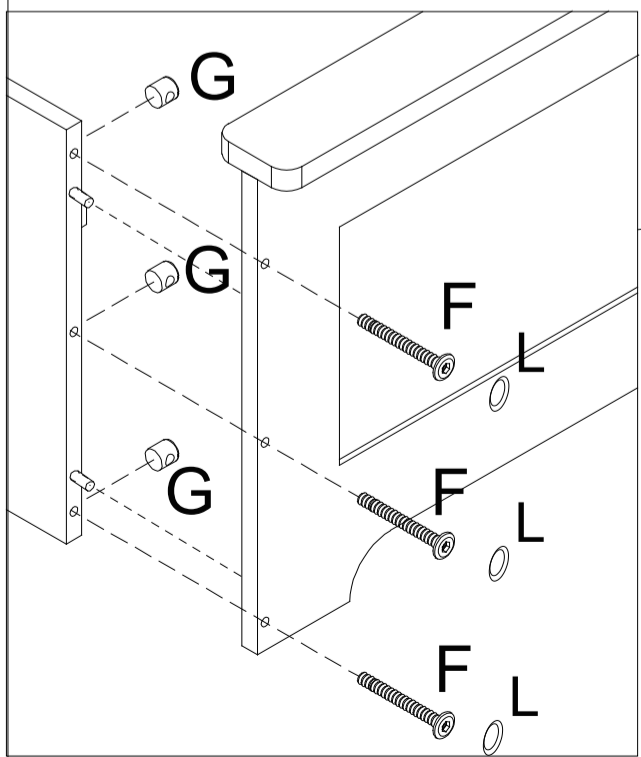
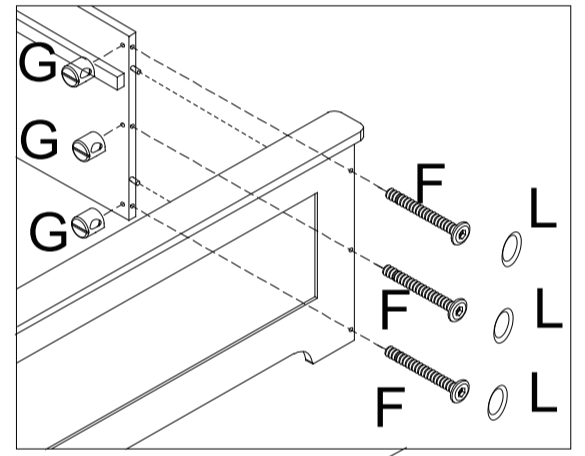
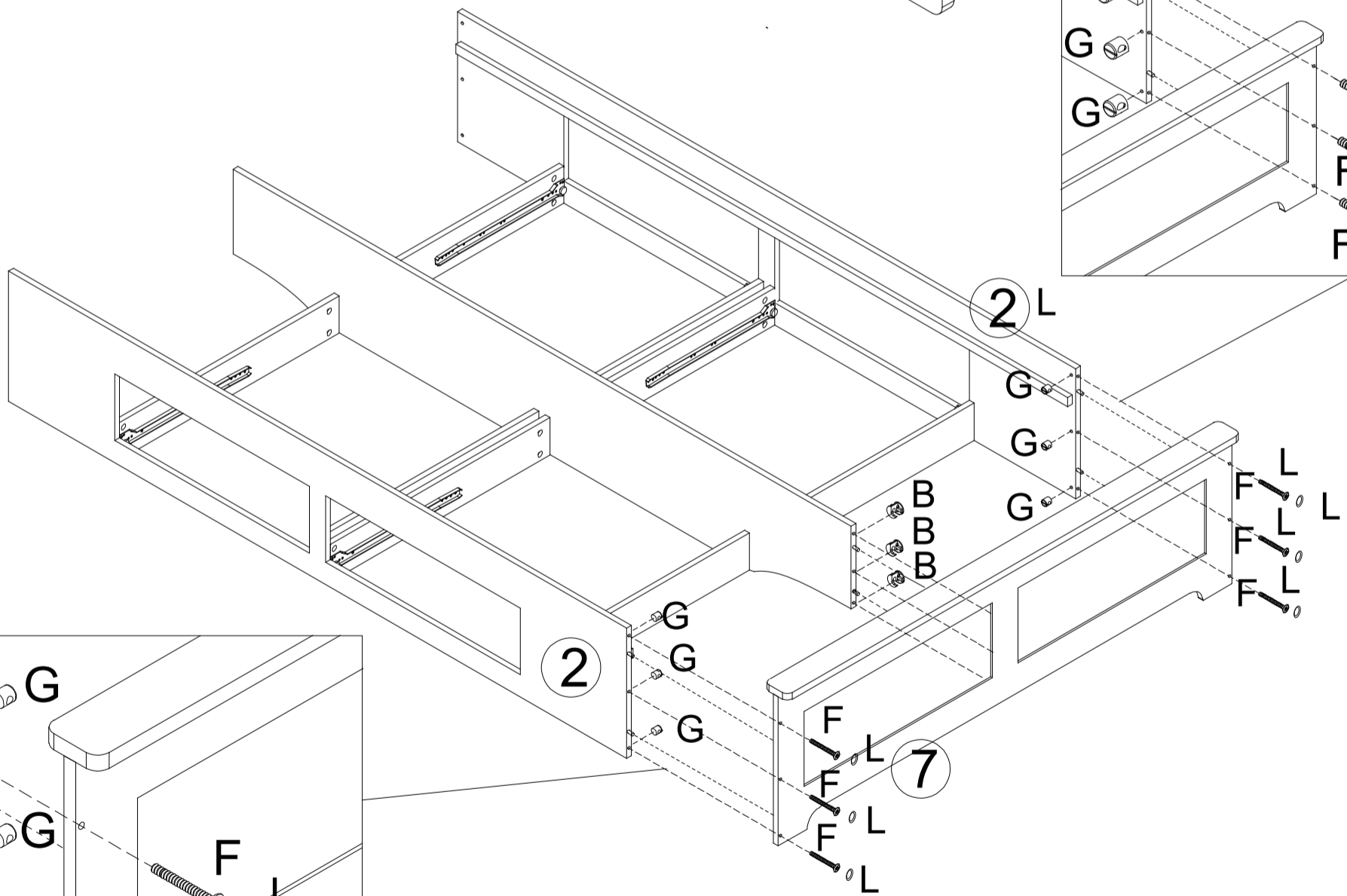
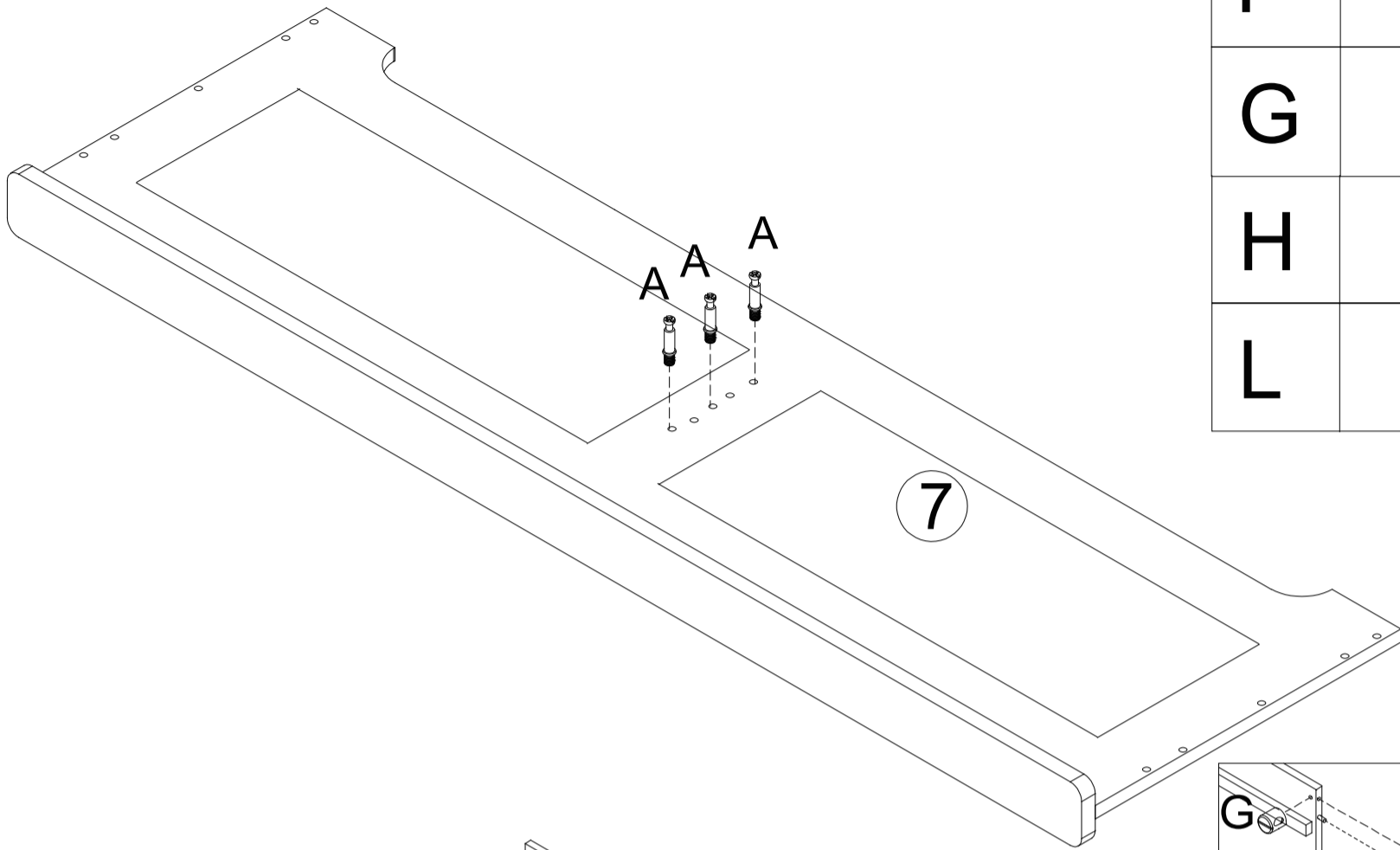
# STEP 8

B		16
C		8

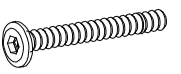




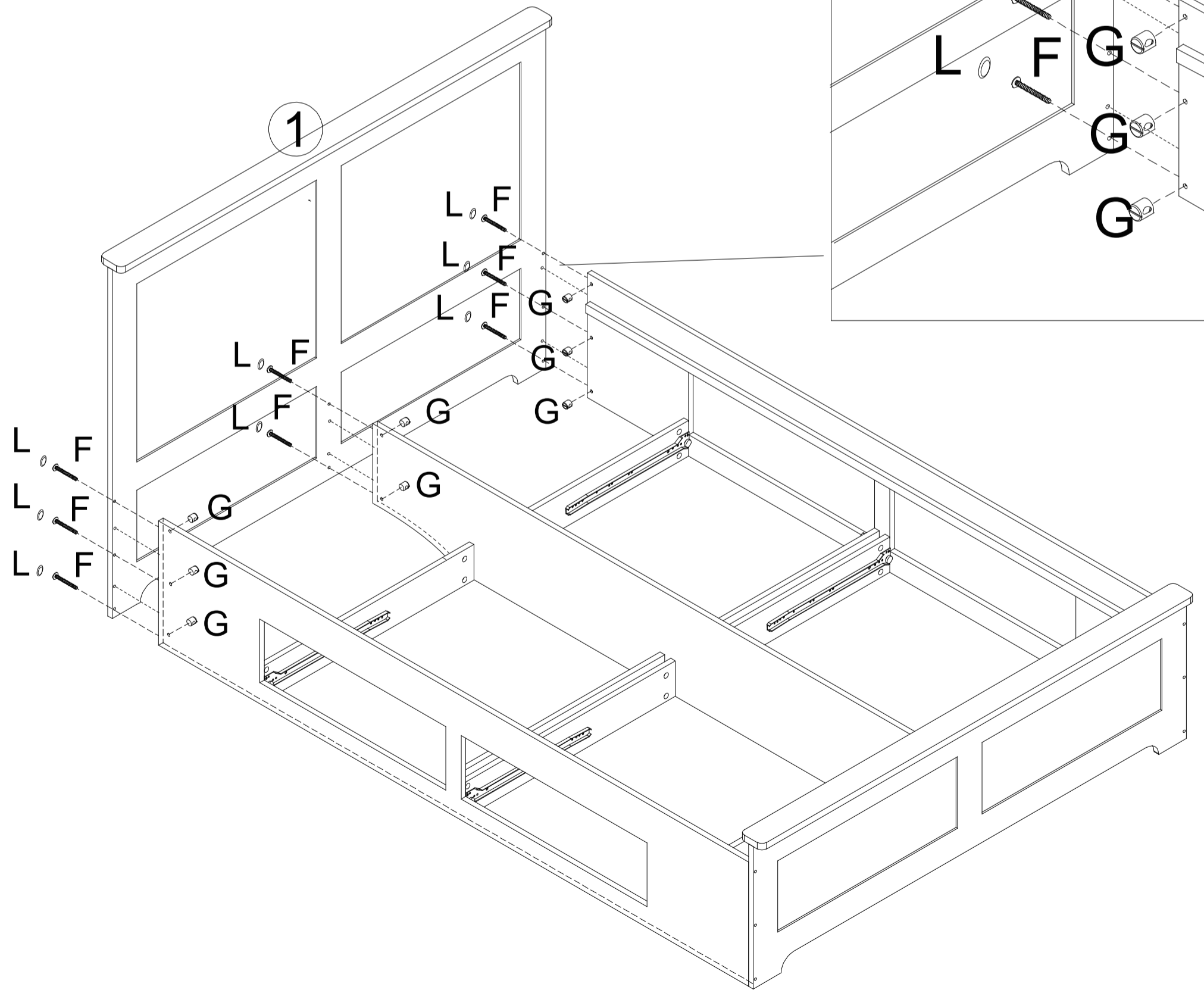
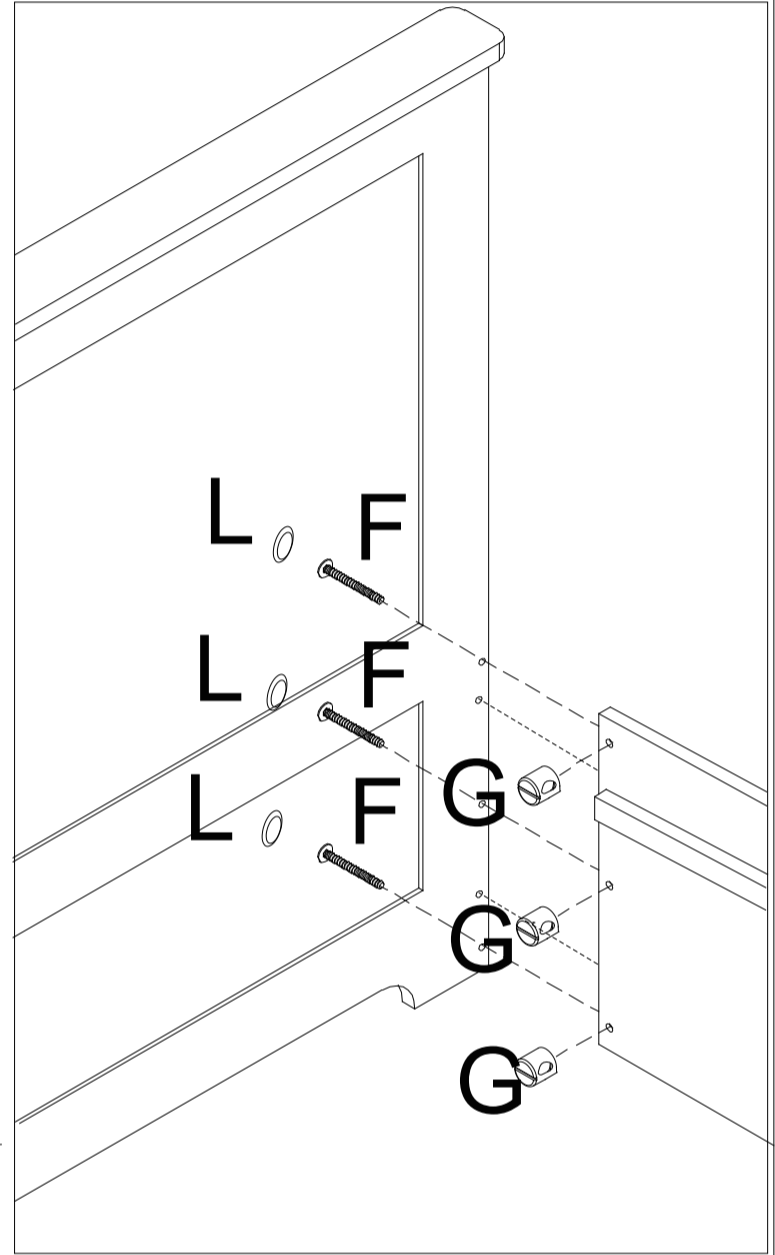
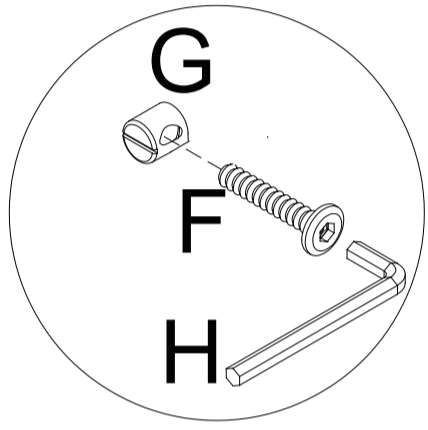
# STEP 9

A		3
B		3
F		6
G		6
H		1
L		6

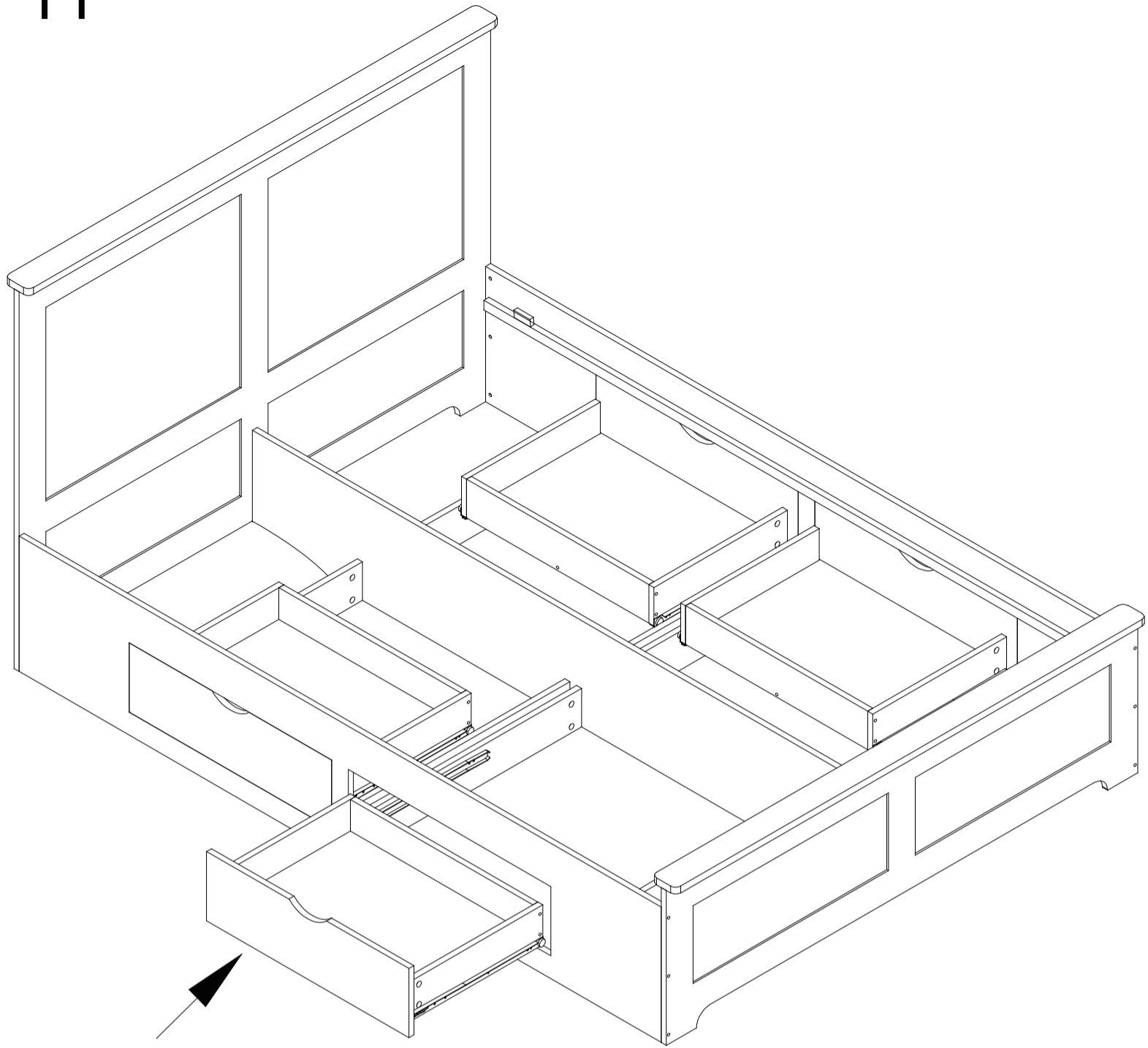


# STEP 10

F		8
G		8
L		8

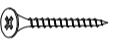


# STEP 11



# STEP 12

D



29

