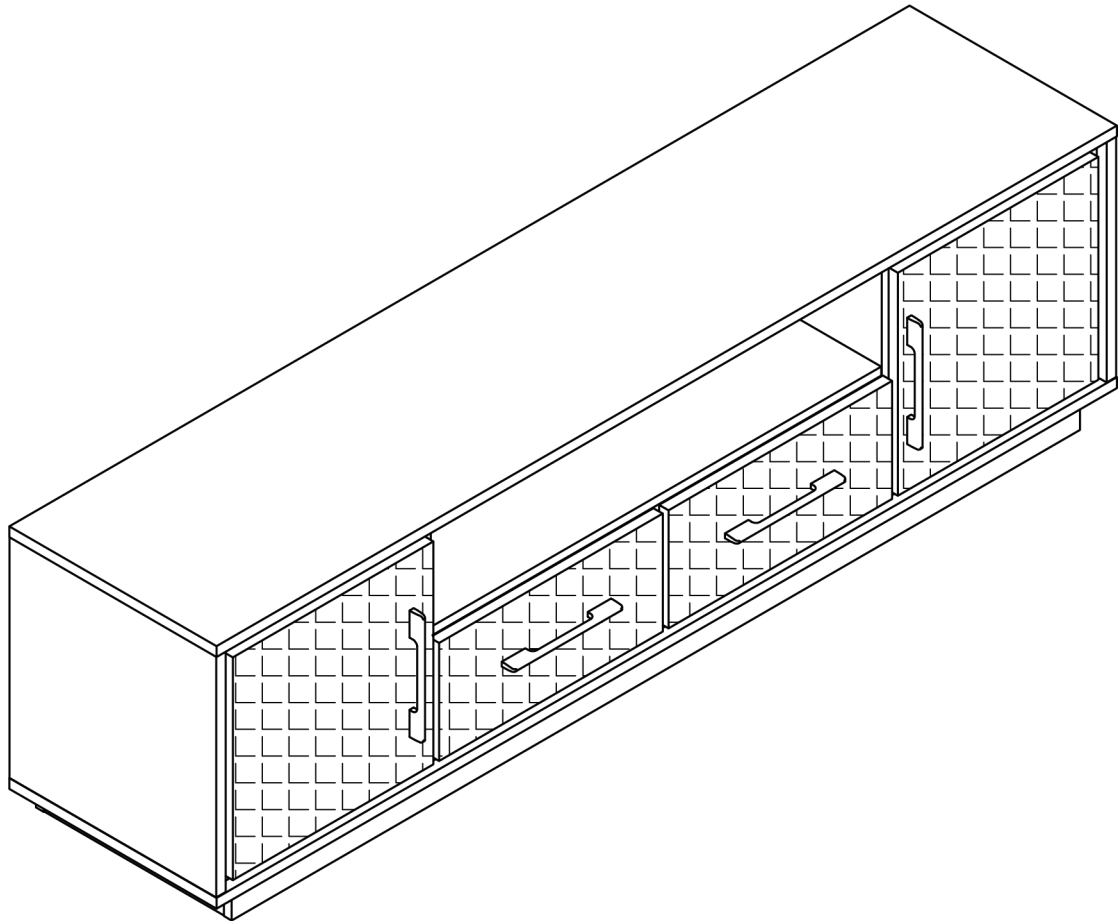


Alto TV Stand



BELLEZE[®]

FOLLOW US:

CONTACT INFO:

ITEM NO. 014-HG-41027



@bellezefurniture

support@belleze.com
1-800-682-6376

The instruction booklet contains **IMPORTANT** safety information. Please read it in full and keep it for future reference.

www.belleze.com

Scan this QR Code
to view our online tutorial

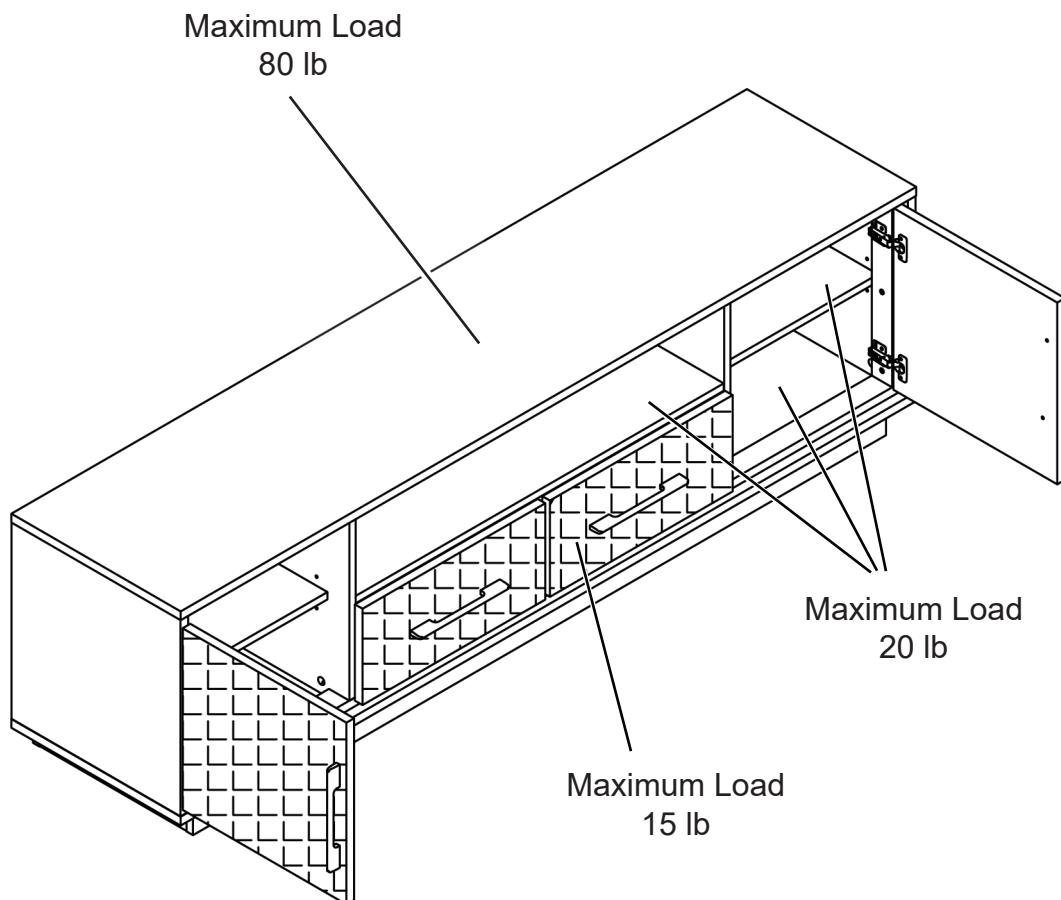


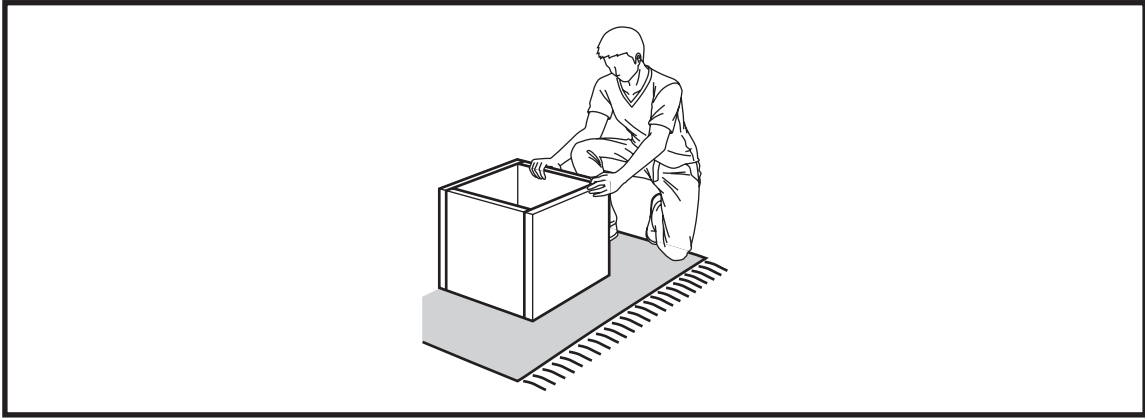
Estimated time for assembly:

120 mins



Weight limitations are as follows:

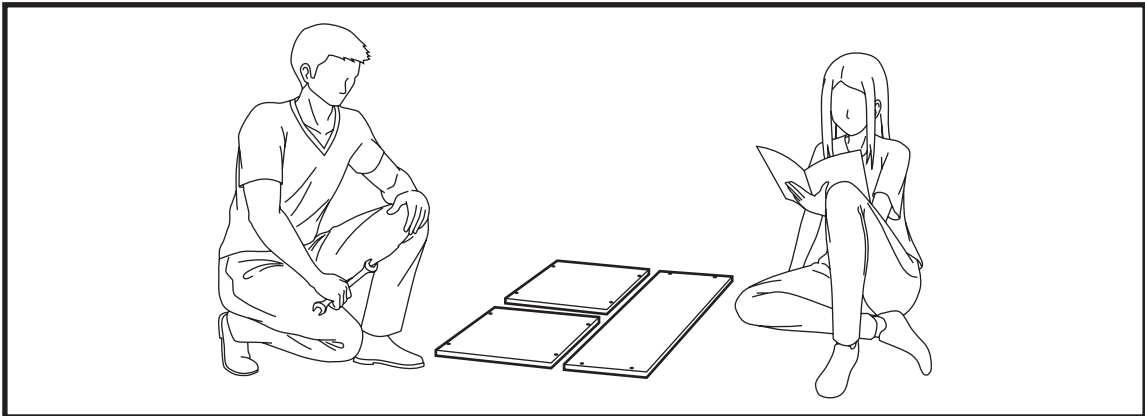




Assemble the furniture on an empty carton, carpet, or rug to prevent scratches or damage.

For safety, please keep pets and children away from the assembly area.

Ensure the product is fully assembled before use. If you are missing any hardware or products, do not use it until you have restored the missing parts.



This furniture requires 2 people for assembly.

Read this instruction manual prior to assembly to familiarize yourself with the various steps.

Lay out all components and hardware separately on a flat surface and make sure that no parts are missing or damaged before assembly. Do not destroy or discard any packaging until you are certain that you have all the necessary parts for assembly.

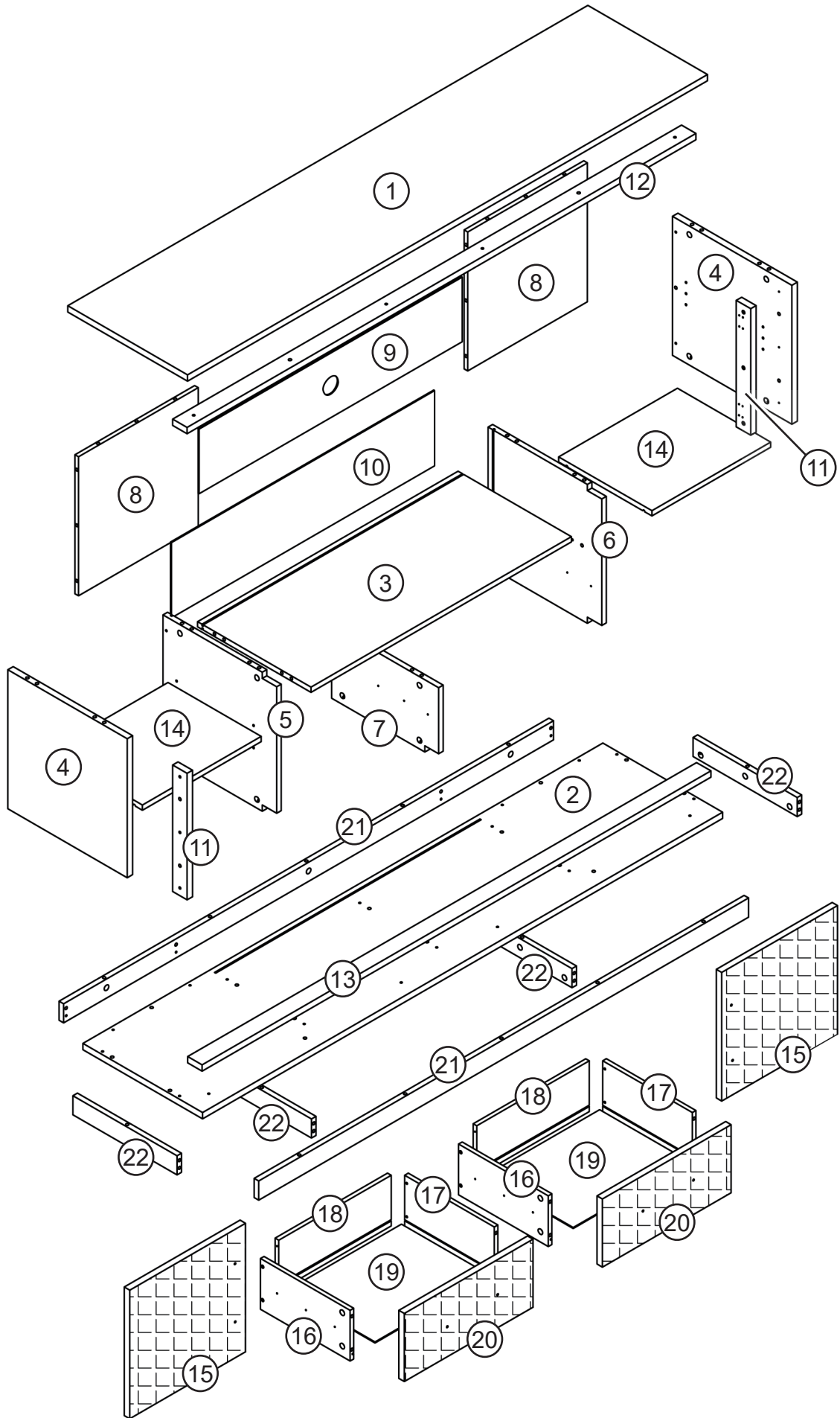
Hand tight all hardware and careful not to over tighten to avoid damaging the product.

CAUTION

There are small components used in the construction of this product. Loose items should be kept away from pets and children to avoid a choking hazard.

Keep all plastic bags and packaging film away from pets and children to avoid suffocation.

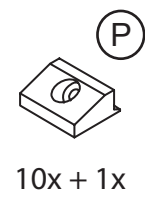
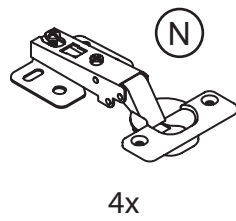
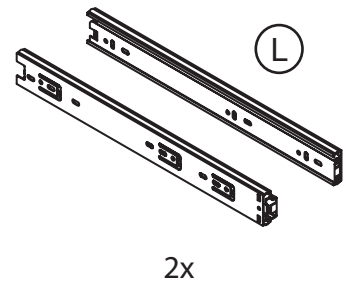
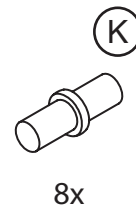
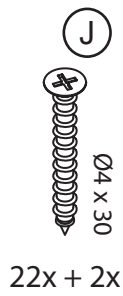
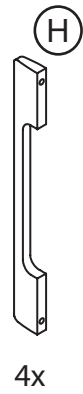
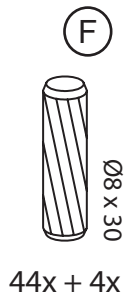
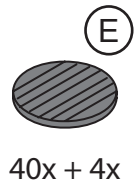
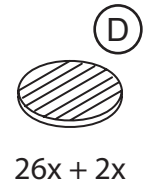
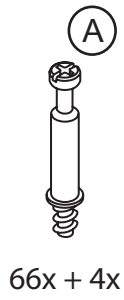
PACKAGE CONTENTS



PACKAGE CONTENTS

CODE	DESCRIPTION	QTY
1	Top Panel	1
2	Bottom Panel	1
3	Center Panel	1
4	Lateral Panel	2
5	Left Medial Panel	1
6	Right Medial Panel	1
7	Division Panel	1
8	Side Back Panel	2
9	Top Back Panel	1
10	Bottom Back Panel	1
11	Vertical Strip	2
12	Top Crossbar	1
13	Bottom Crossbar	1
14	Storage Shelf Panel	2
15	Cabinet Door	2
16	Drawer Left Panel	2
17	Drawer Right Panel	2
18	Drawer Back Panel	2
19	Drawer Bottom Panel	2
20	Drawer Front Panel	2
21	Base Long Panel	2
22	Base Short Panel	4

PACKAGE CONTENTS



Install all hardware perpendicular to the opening.

PACKAGE CONTENTS



10x



2x



2x



2x

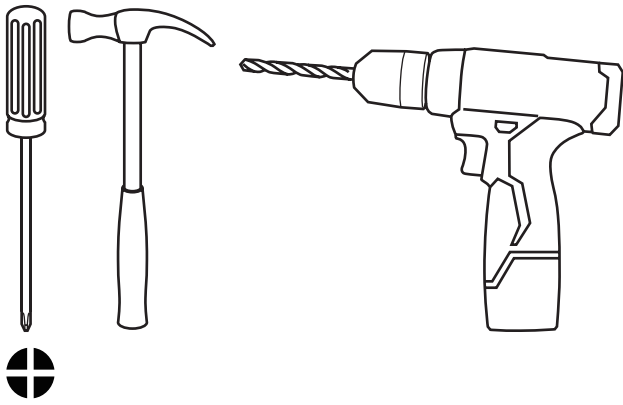


2x



Install all hardware perpendicular to the opening.

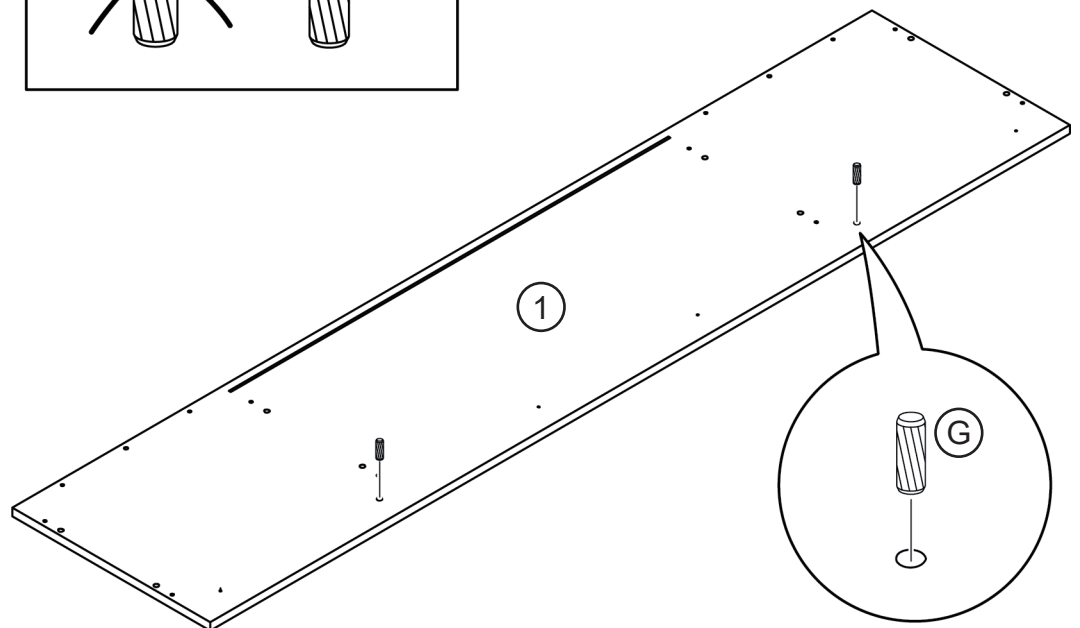
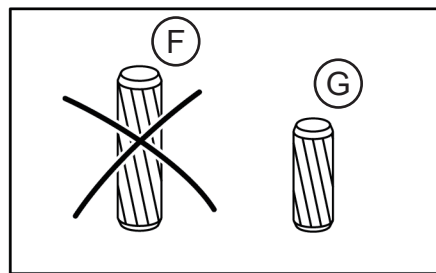
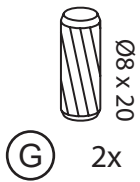
Required tools for assembly (Not included)



1

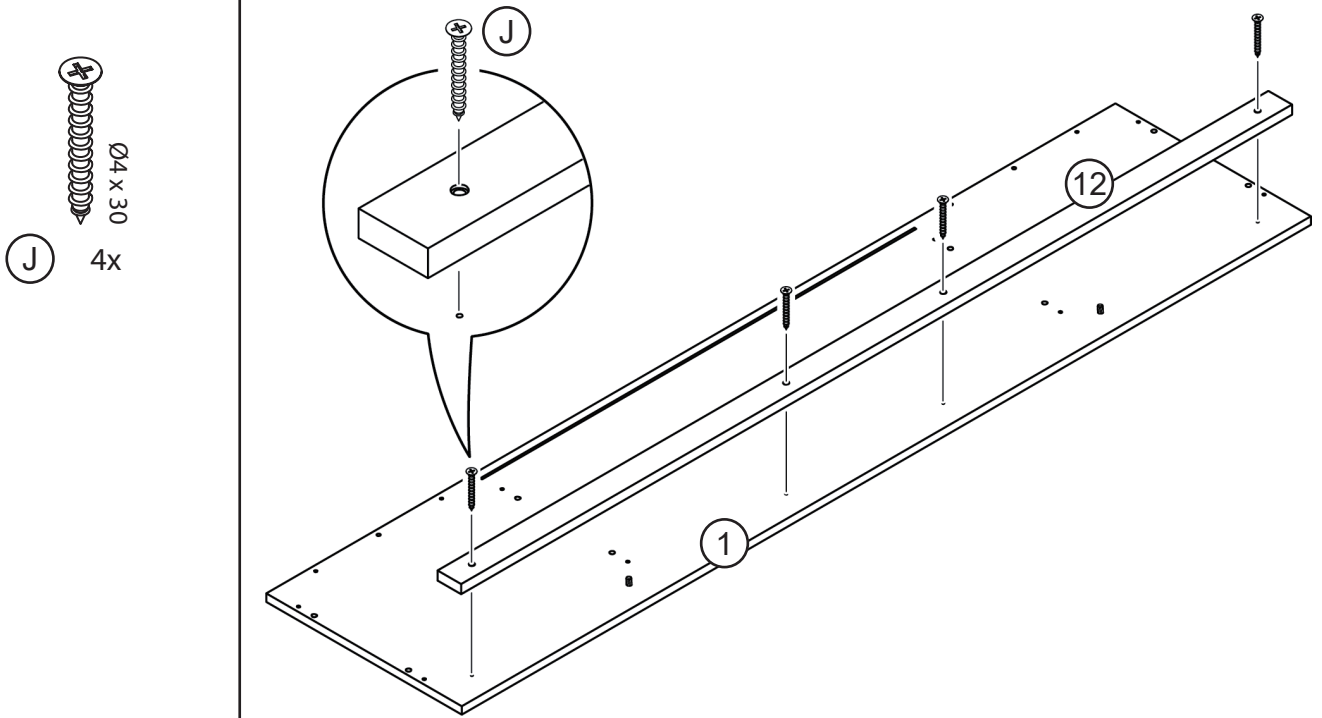
Insert short wood dowels to the top panel (1).

Note: Make sure to use the correct hardware.



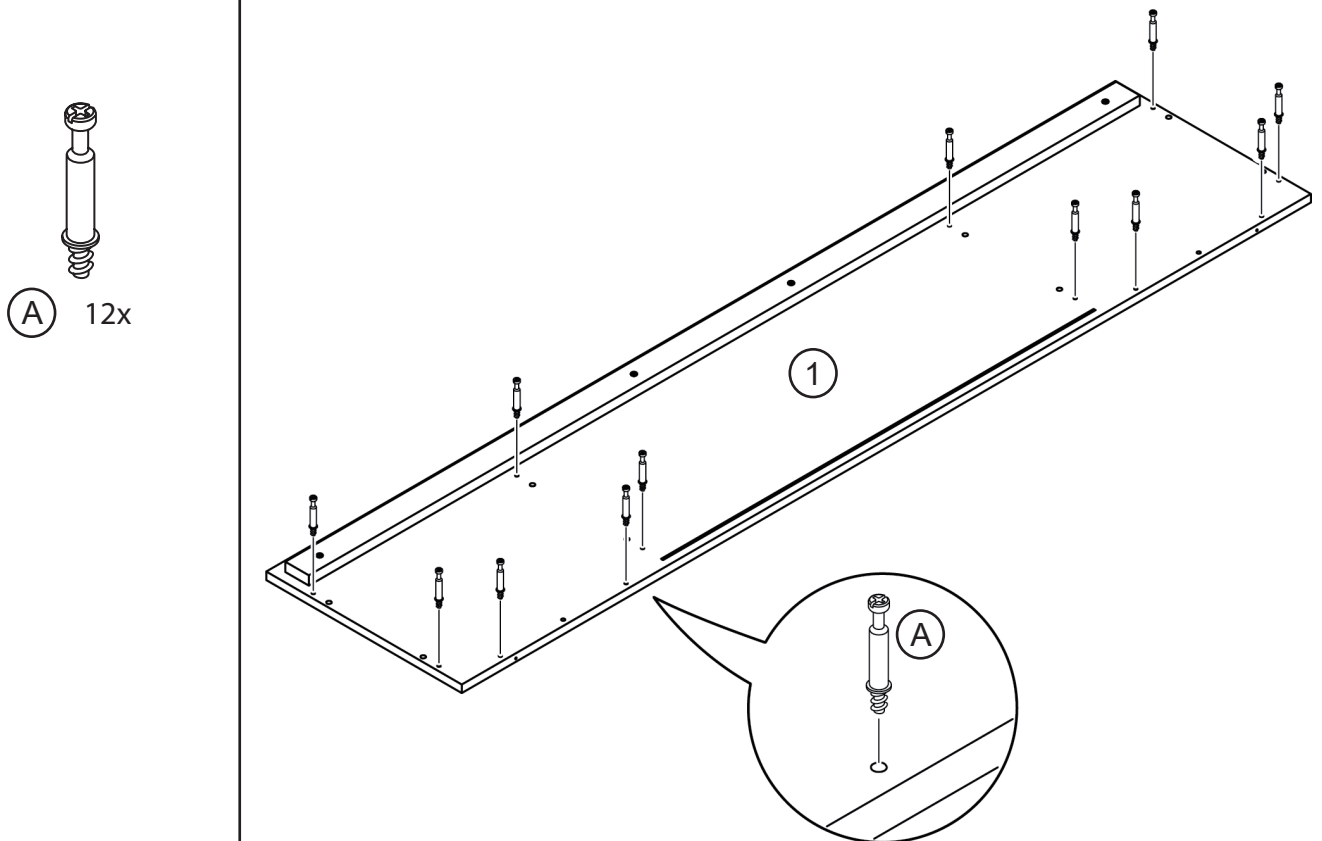
2

Attach top crossbar (12) to the top panel (1).



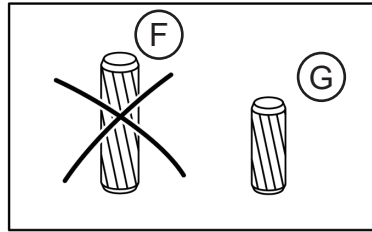
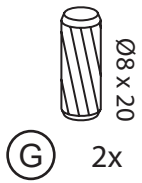
3

Attach cam bolts to the top panel (1).

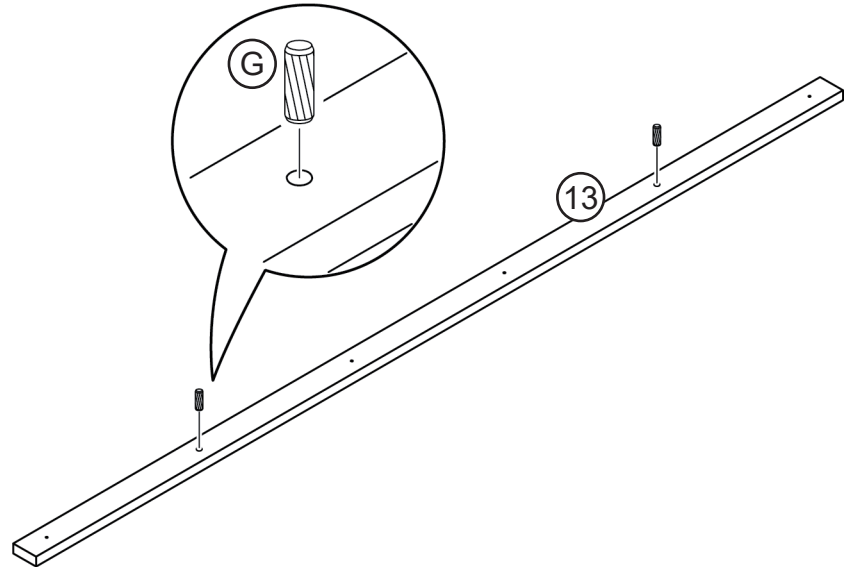


4

Insert short wood dowels to the bottom crossbar (13).

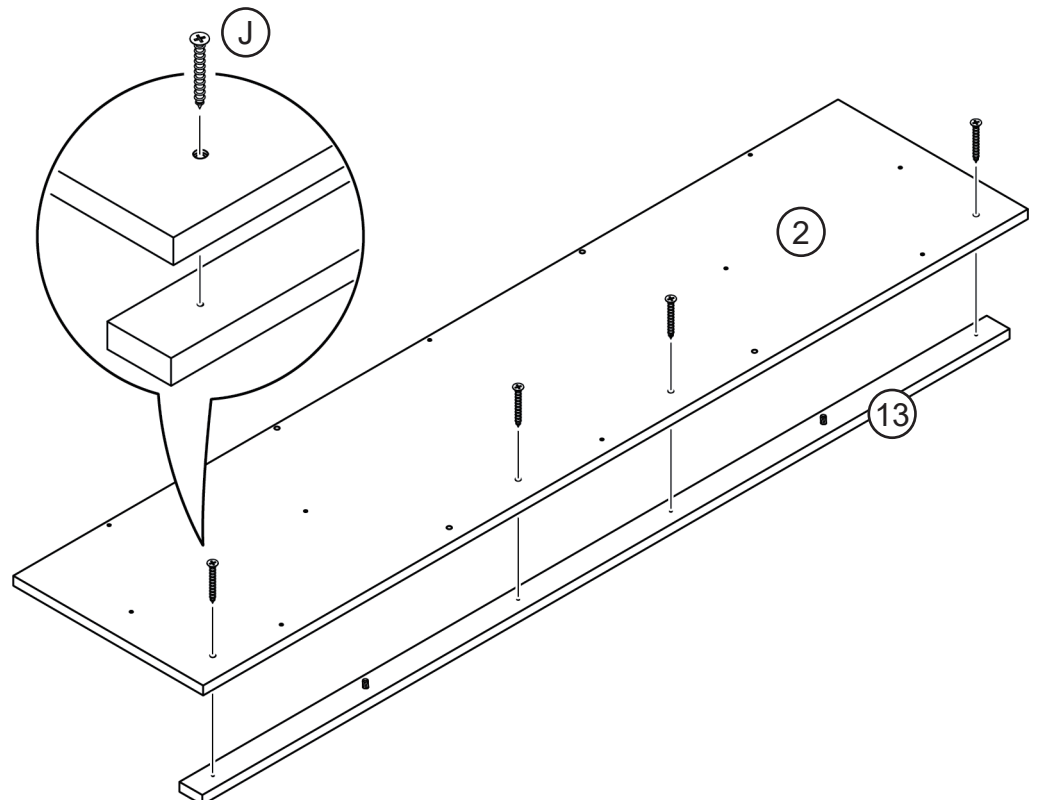
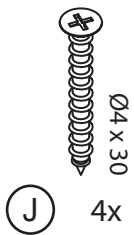


Note: Make sure to use the correct hardware.



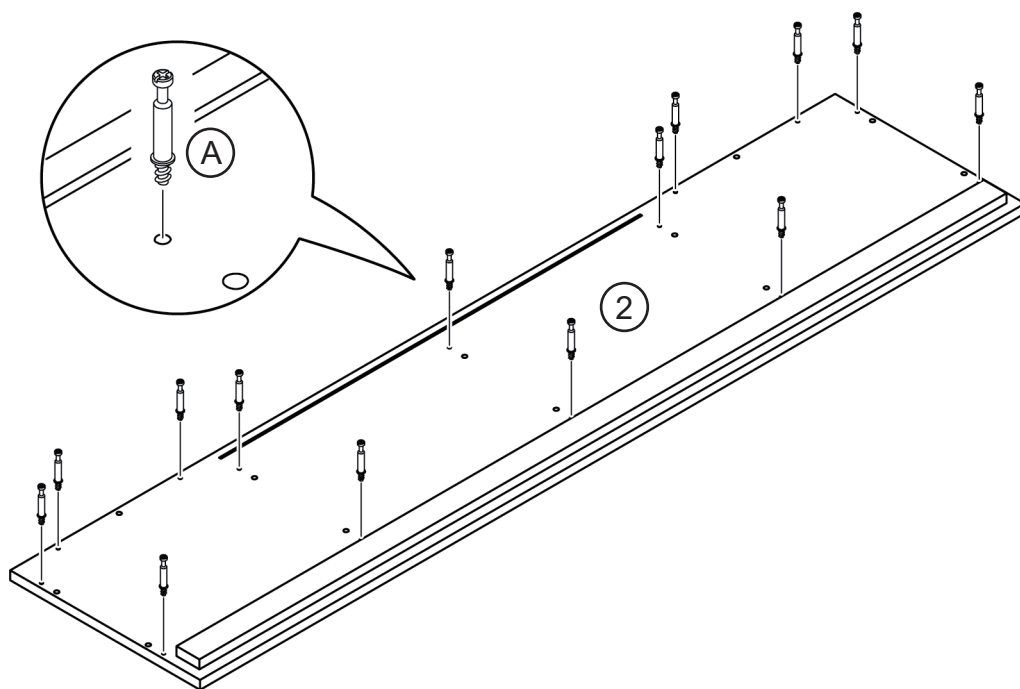
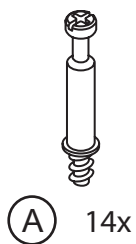
5

Assemble the bottom crossbar (13) to the bottom panel (2).



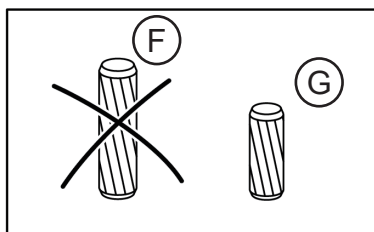
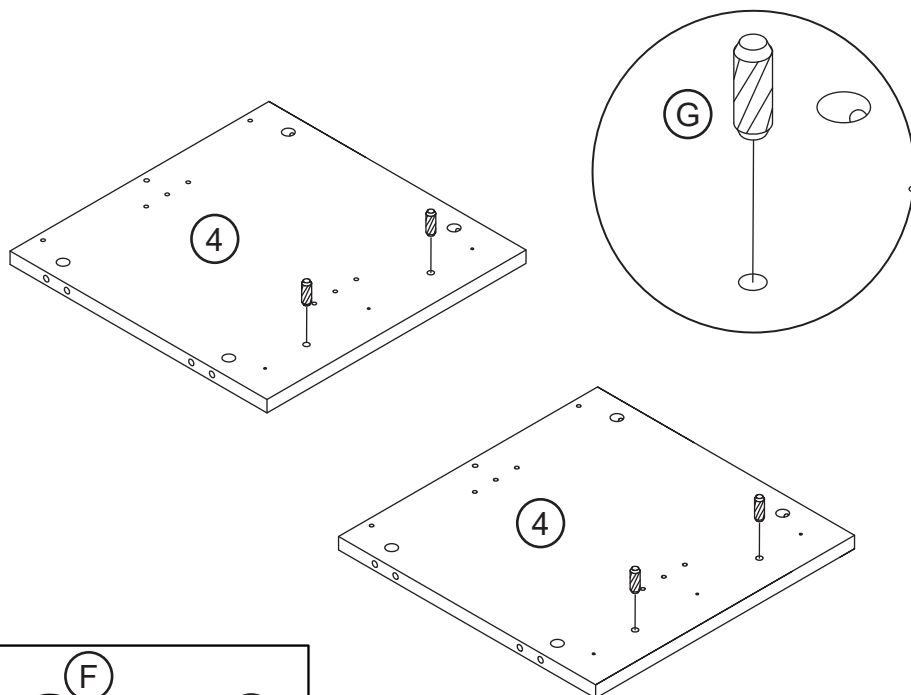
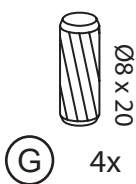
6

Insert cam bolts to the bottom panel (2).



7

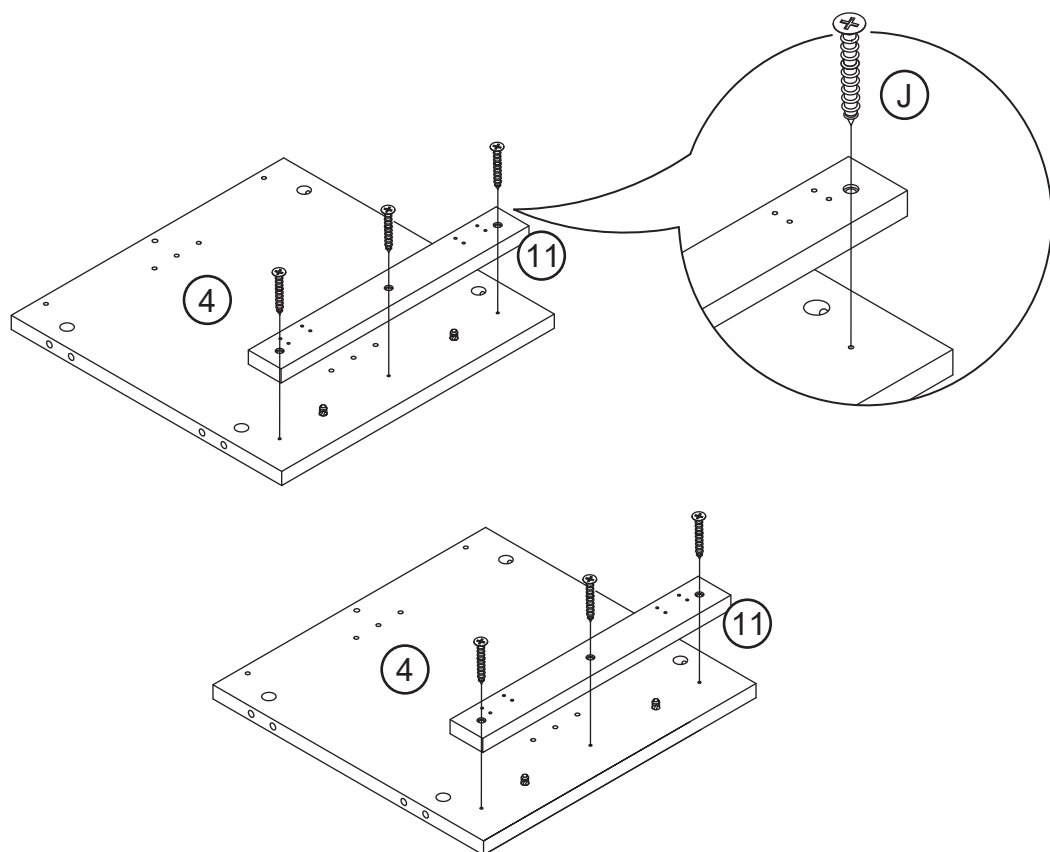
Insert short wood dowel to the lateral panels (4).



Note: Make sure to use the correct hardware.

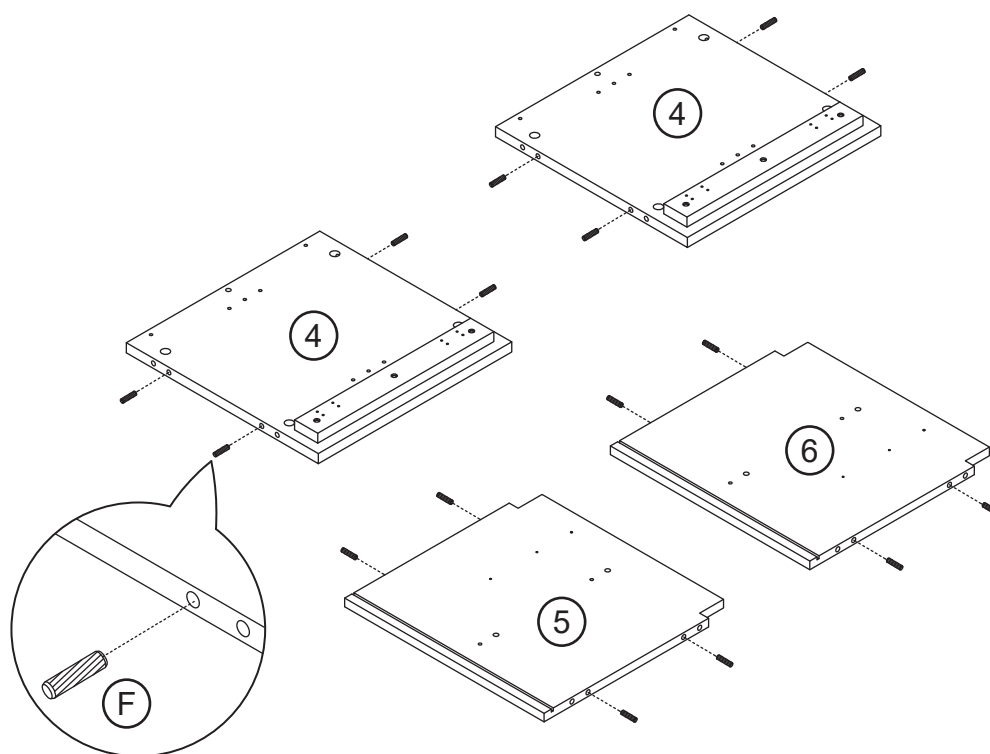
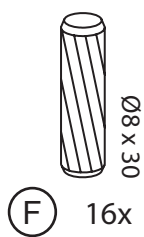
8

Attach vertical strips (11) to the lateral panels (4).



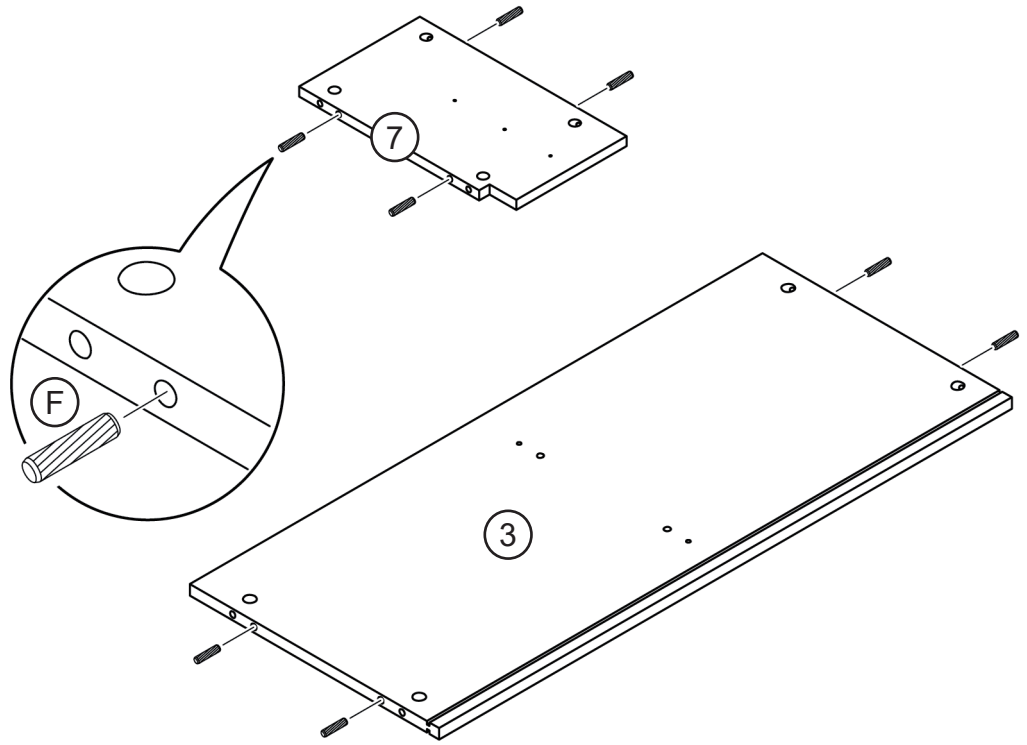
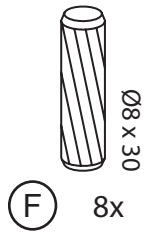
9

Insert long wood dowels to the lateral panels (4) and medial panels (5, 6).



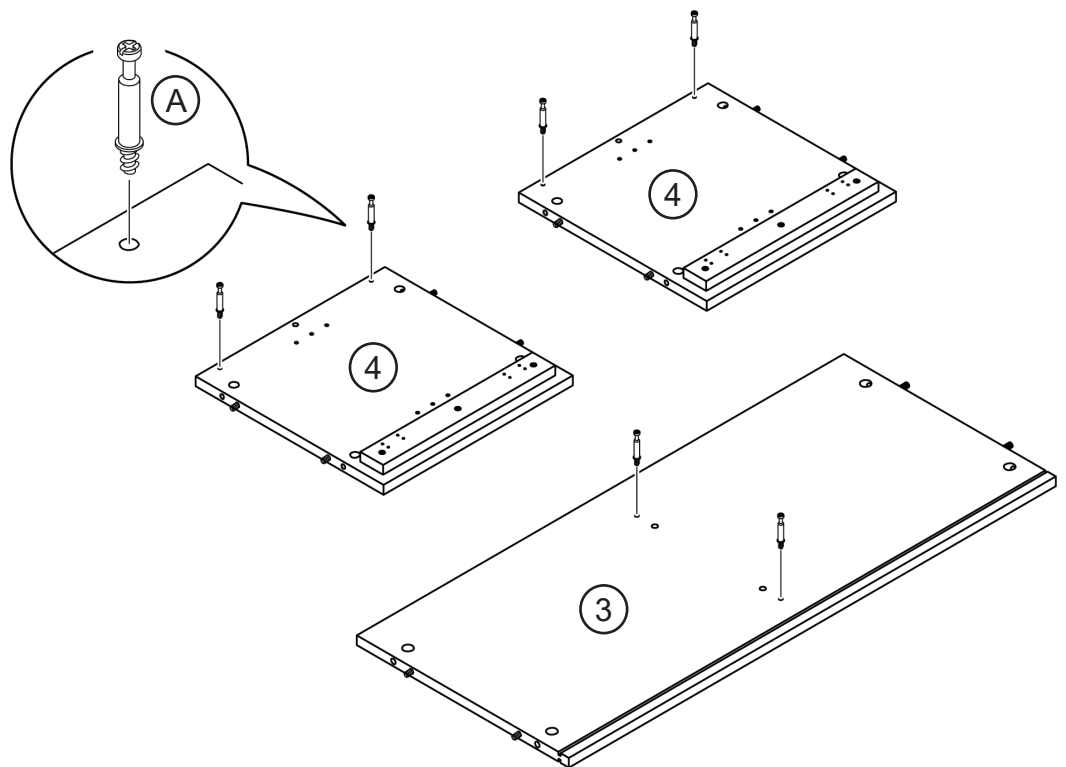
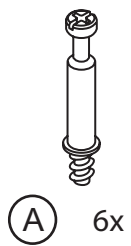
10

Insert long wood dowels to the center panel (3) and division panel (7).



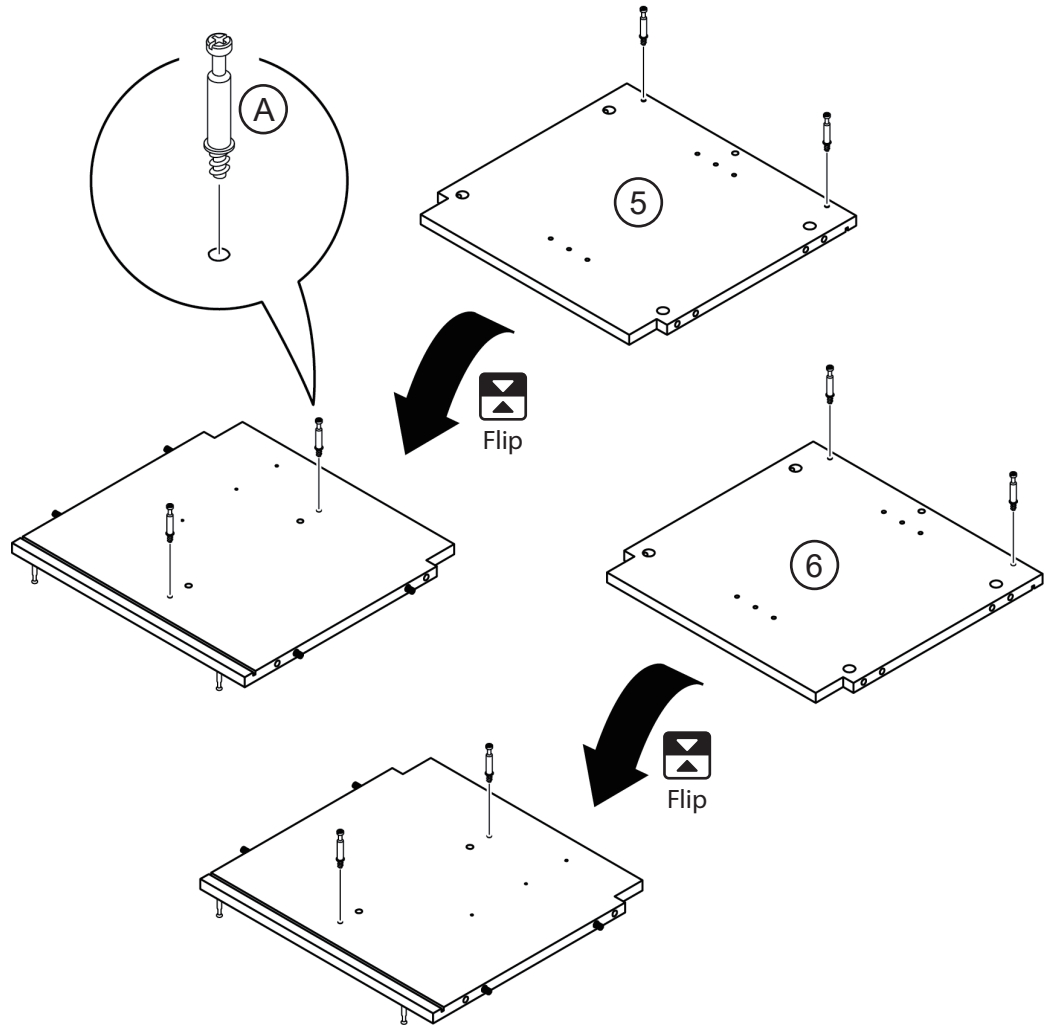
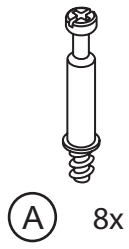
11

Attach cam bolts to the center panel (3) and lateral panels (4).



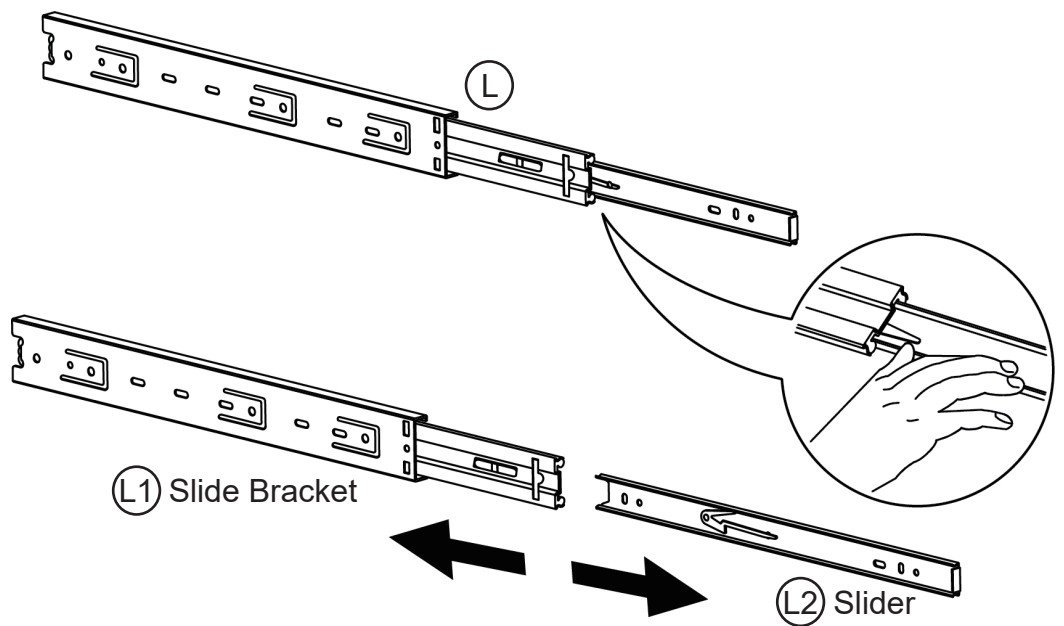
12

Attach cam bolts to the medial panels (5, 6).



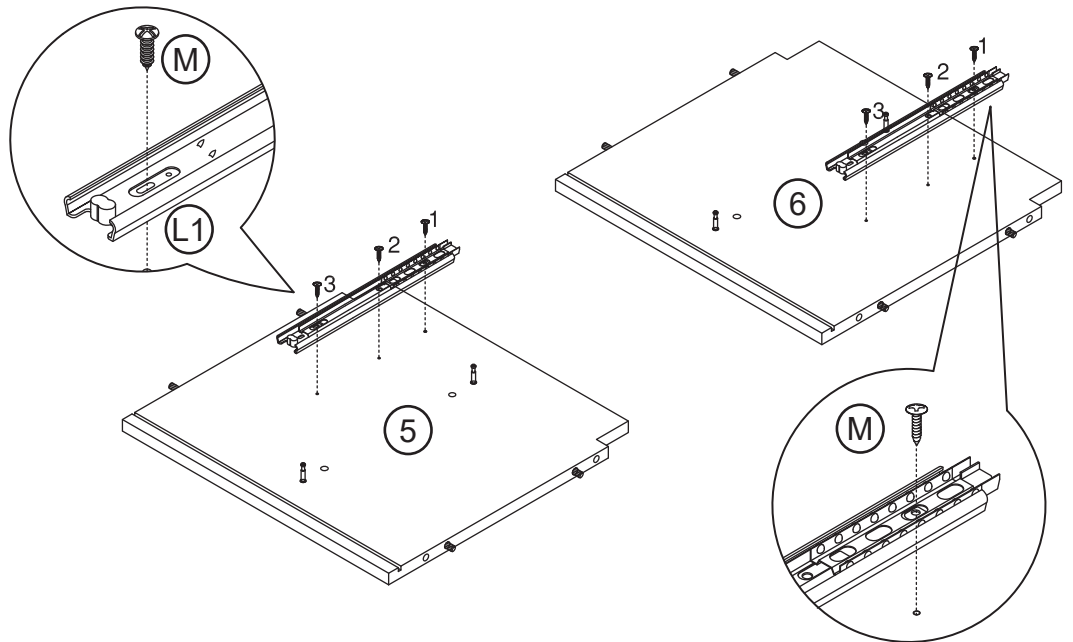
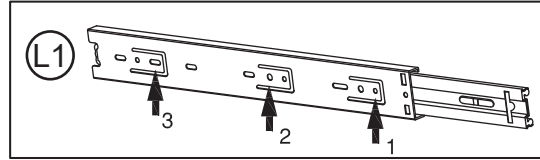
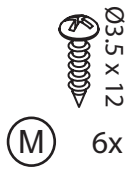
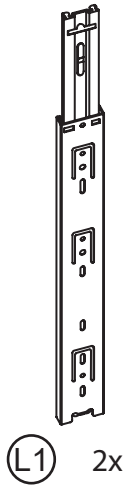
13

Detach sliders from all the slide brackets.



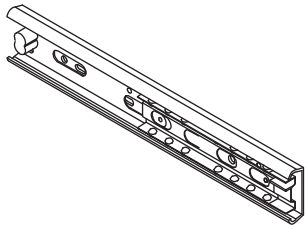
14

Attach slide bracket to the medial panels (5, 6).



15

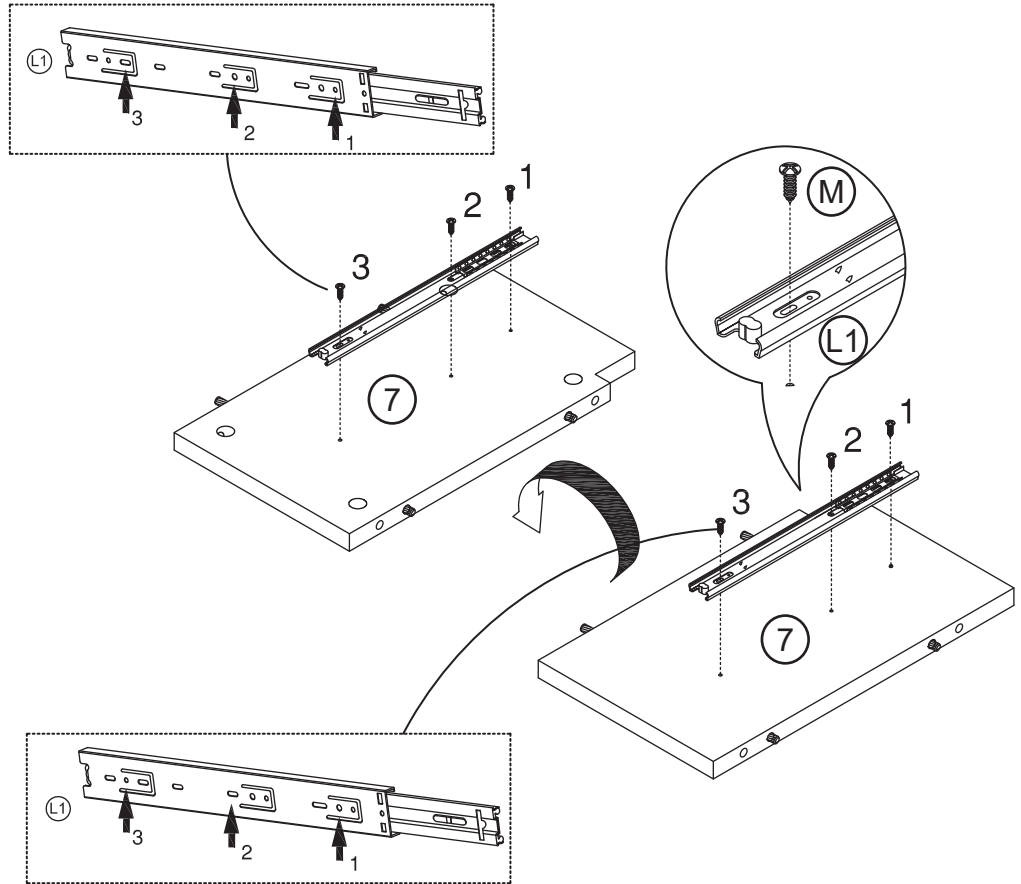
Attach slide brackets to both sides of the division panel (7).



(L1) 2x



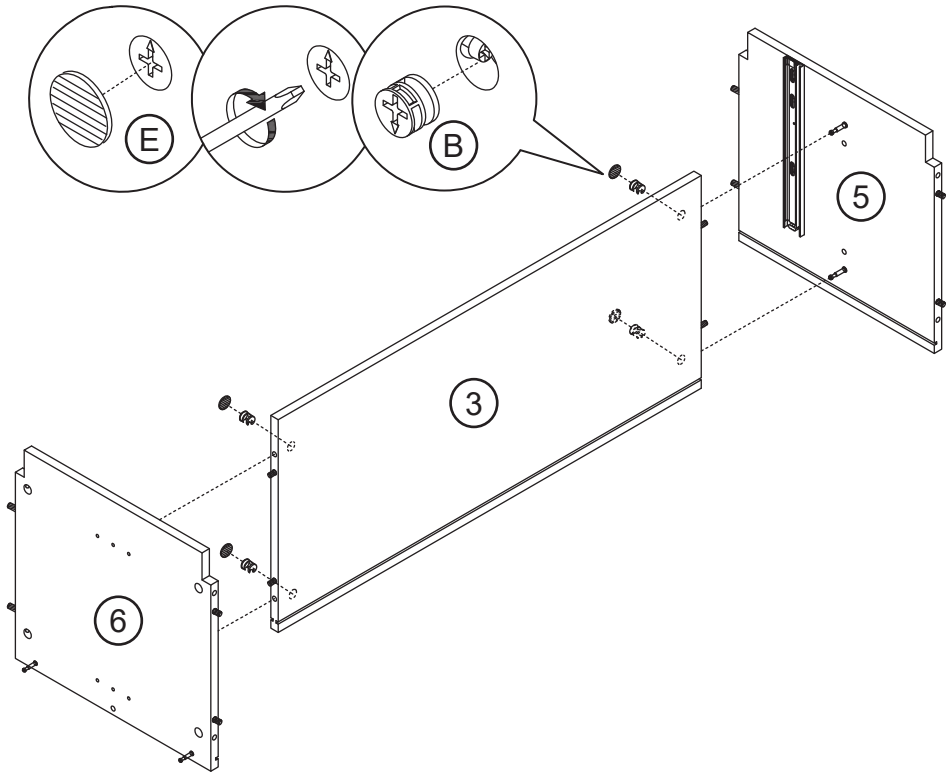
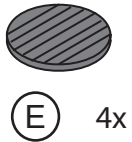
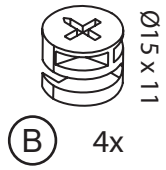
(M) 6x



Note: There are differences in the opening on both sides, Make sure to insert screws in the correct opening.

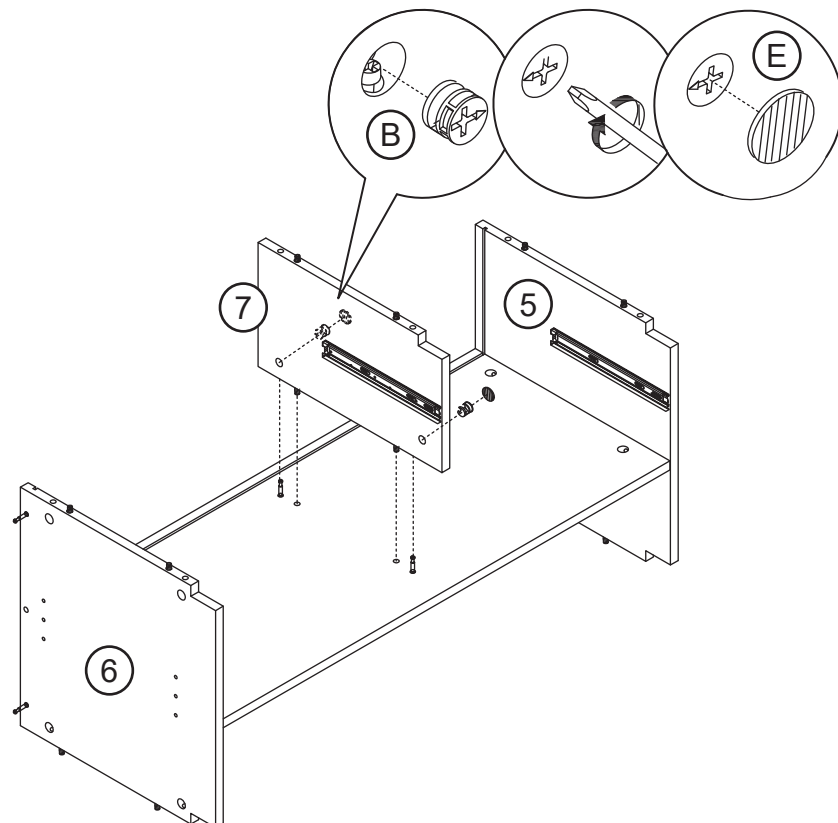
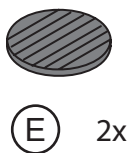
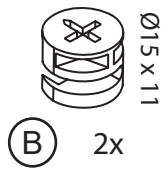
16

Assemble medial panels (5, 6) to the center panel (3).



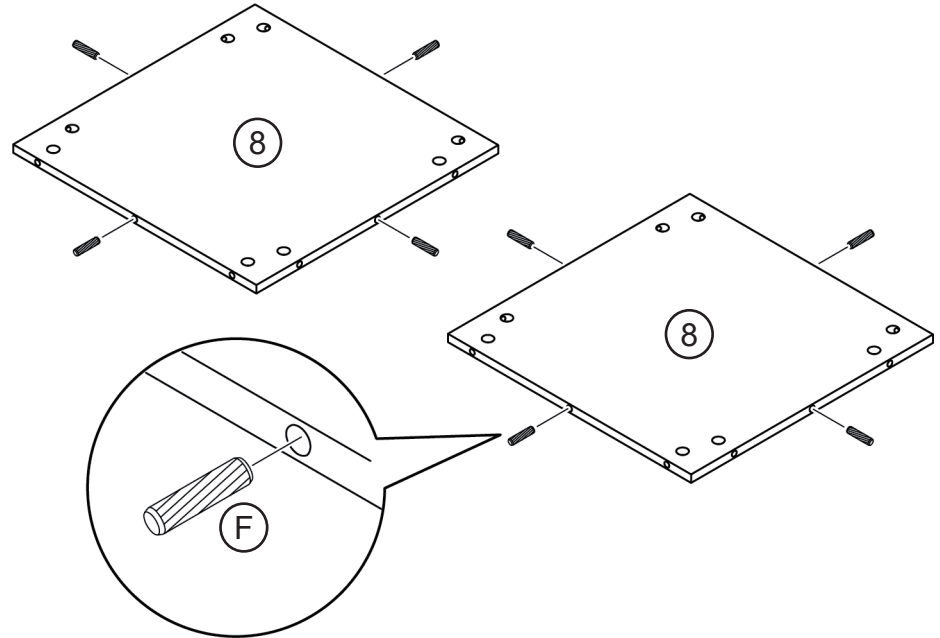
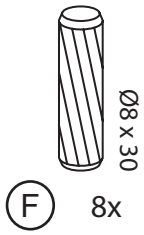
17

Assemble division panel (7) to the center panel (3).



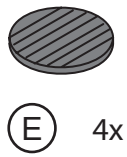
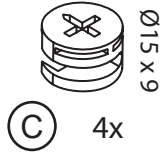
18

Insert long wood dowels to the side back panels (8).

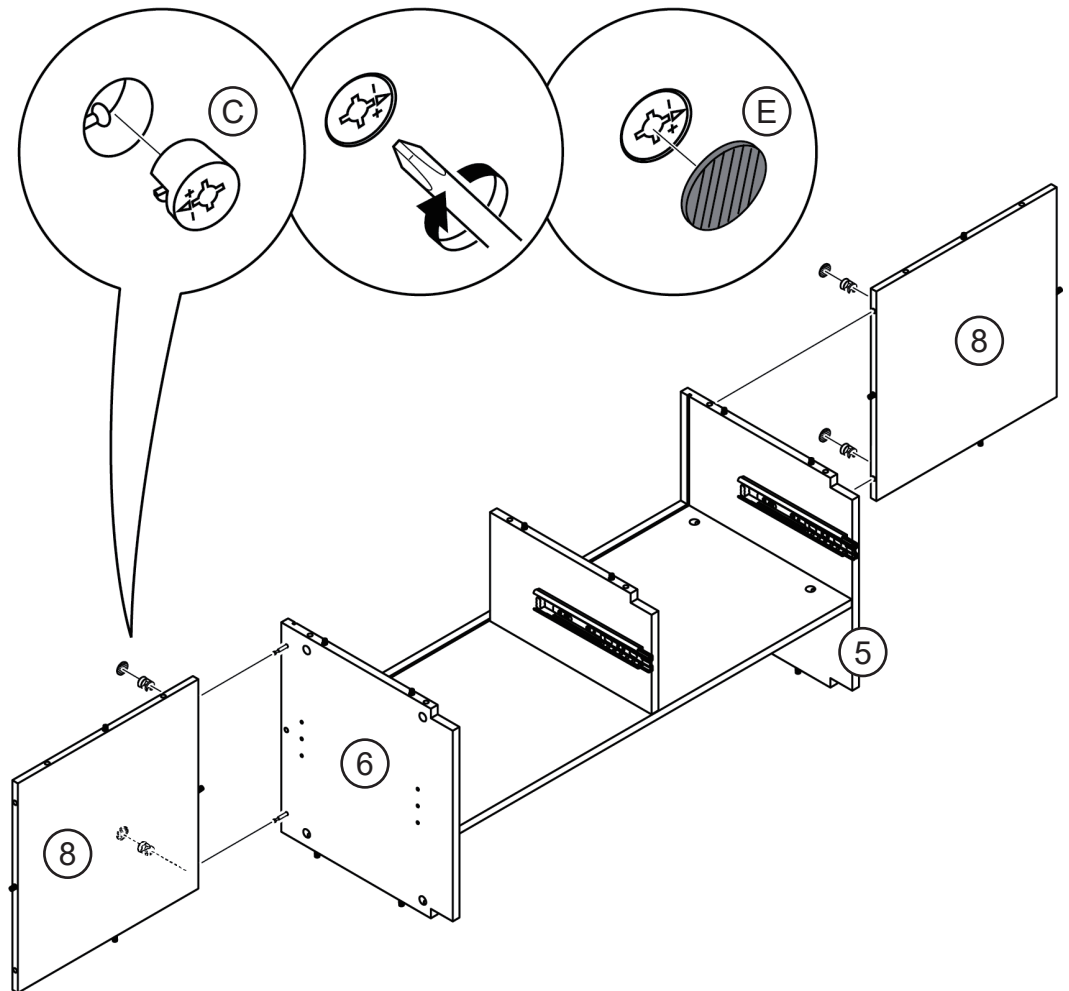
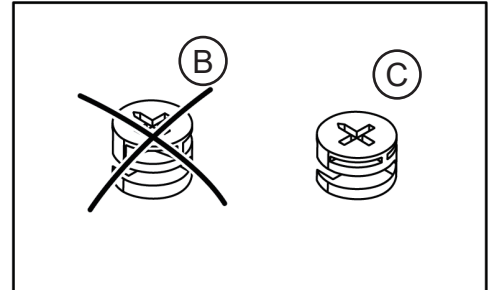


19

Assemble side back panels (8) to the medial panels (5, 6).

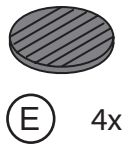
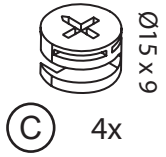


Note: Make sure to use the correct hardware.

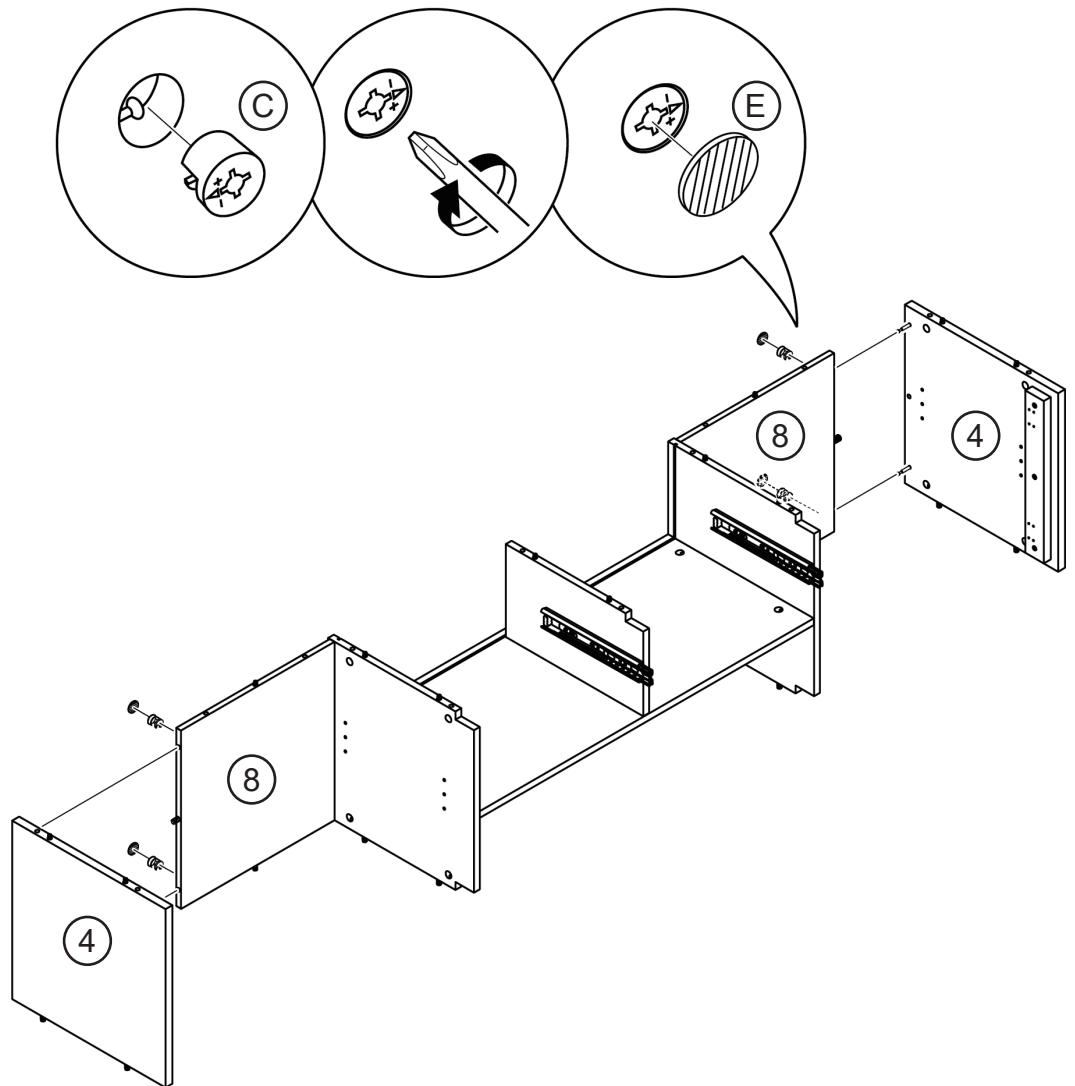
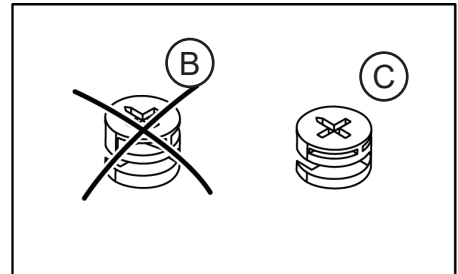


20

Assemble lateral panels (4) to the open end of the side back panels (8).

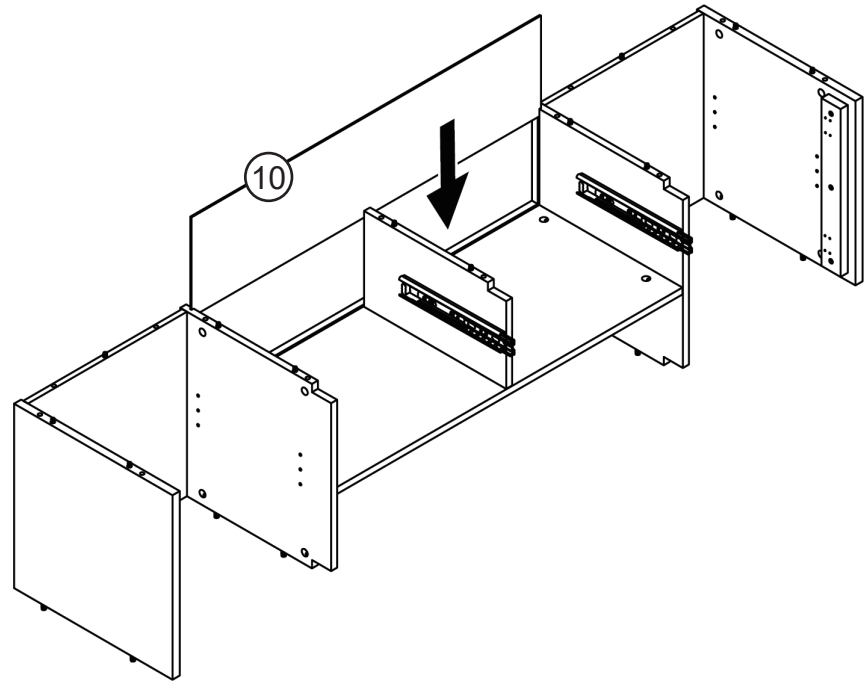


Note: Make sure to use the correct hardware.



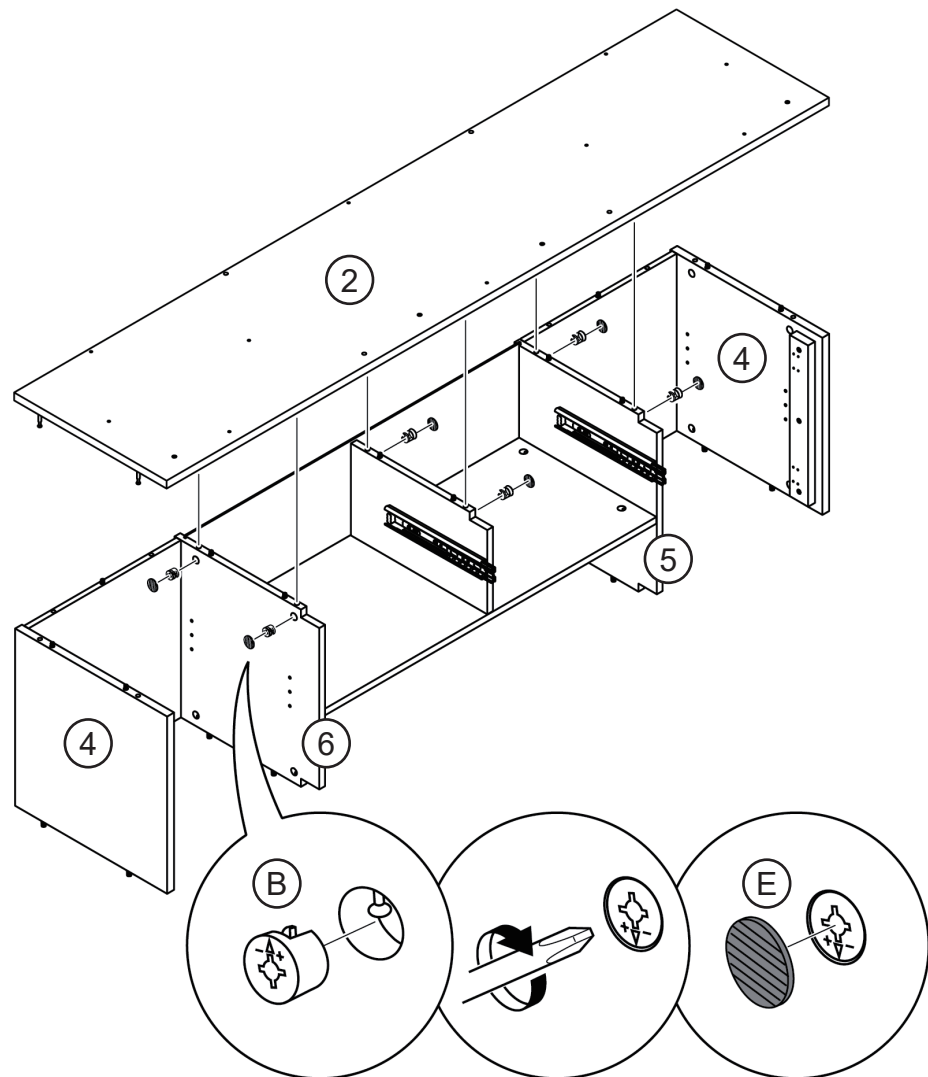
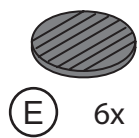
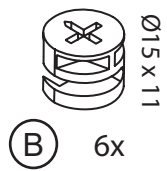
21

Insert bottom back panel (10) between the medial panels.



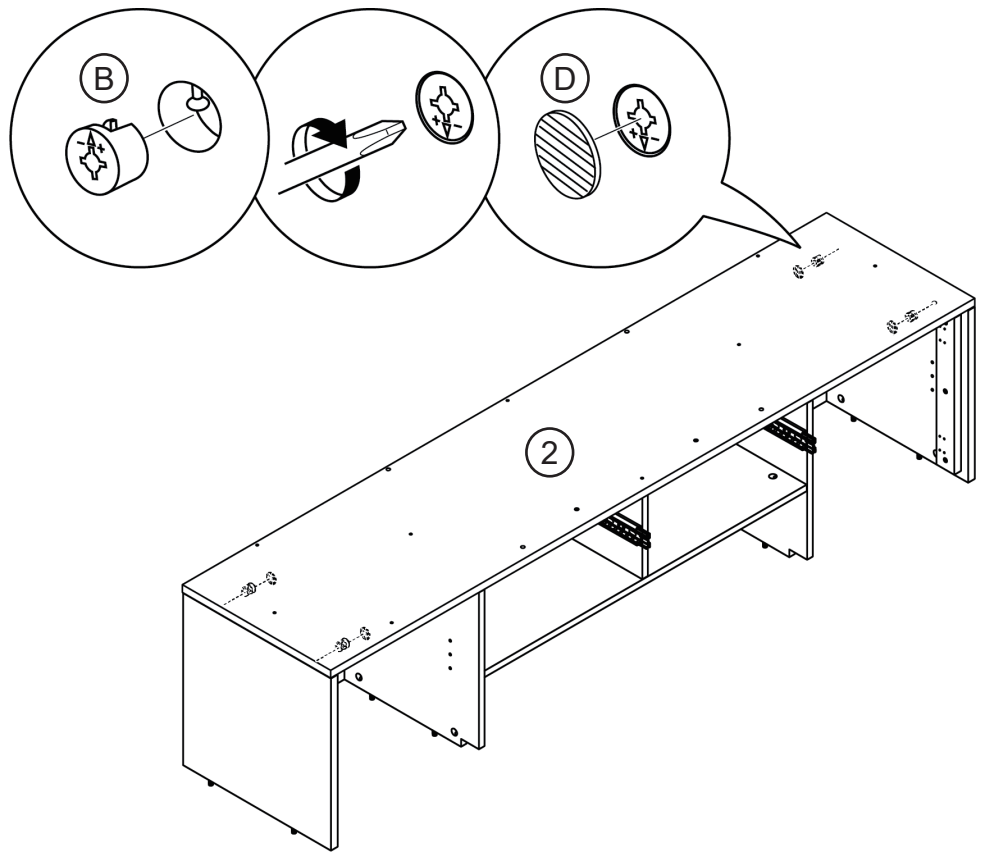
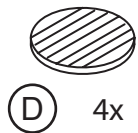
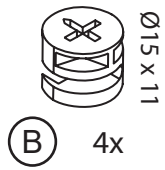
22

Assemble the bottom panel (2) to the medial panels and division panel.



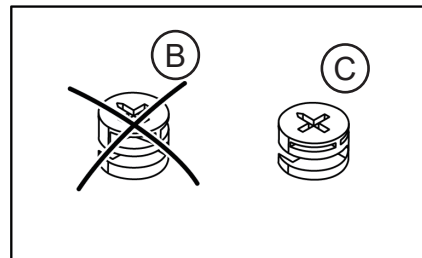
23

Secure the bottom panel (2) to the lateral panels.

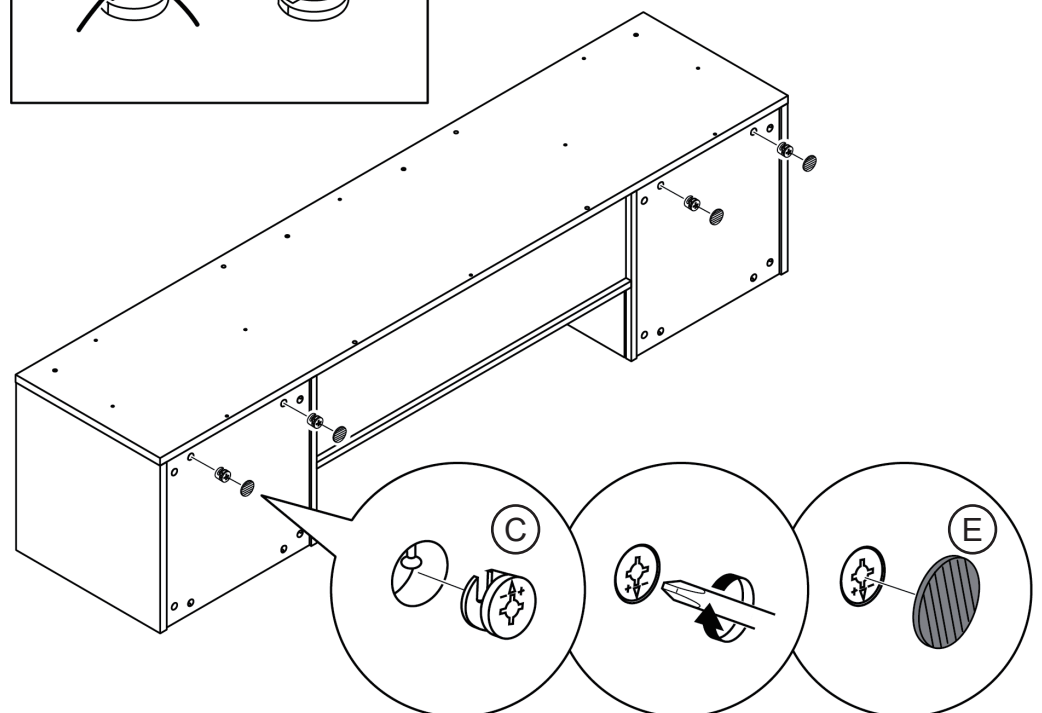
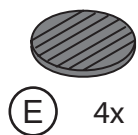
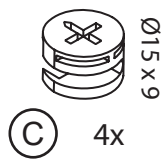


24

Secure the side back panels to the bottom panel.

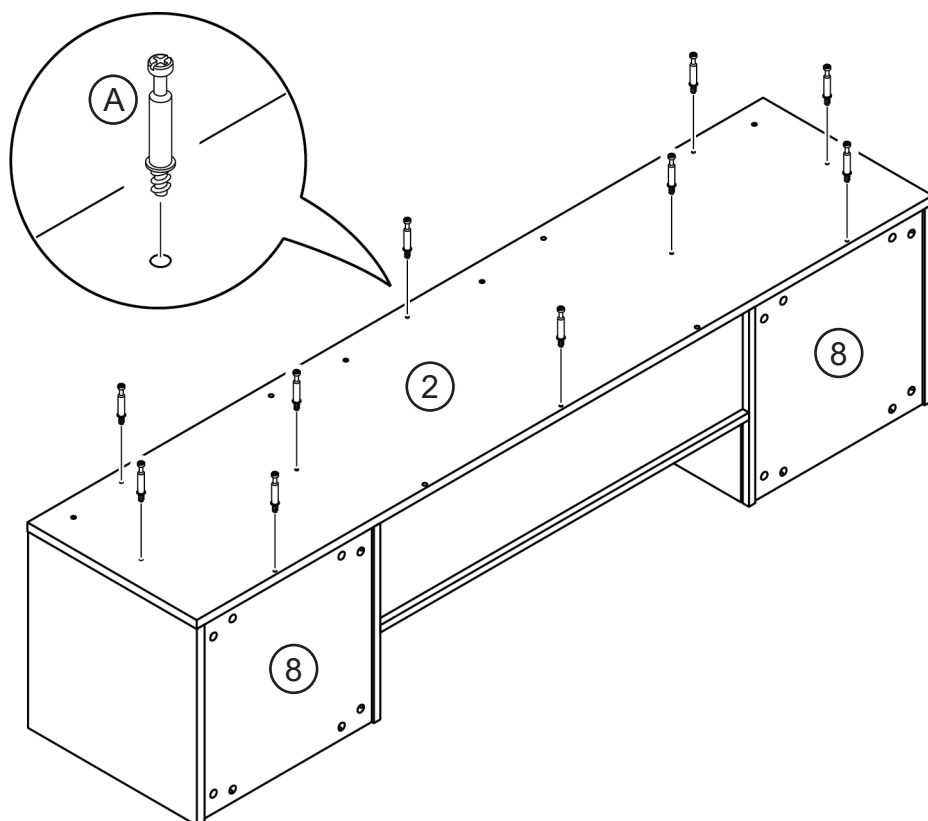
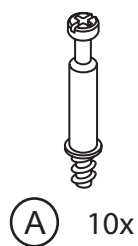


Note: Make sure to use the correct hardware.



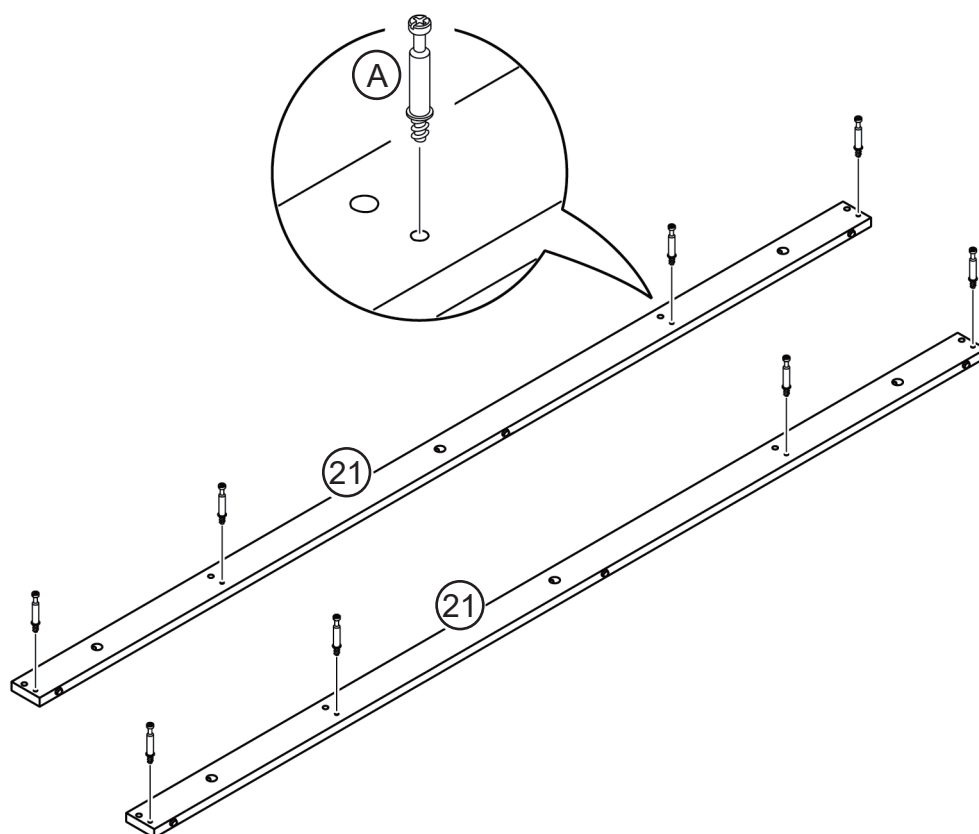
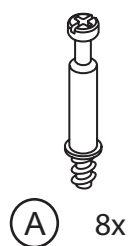
25

Attach cam bolts to the bottom panel (2).



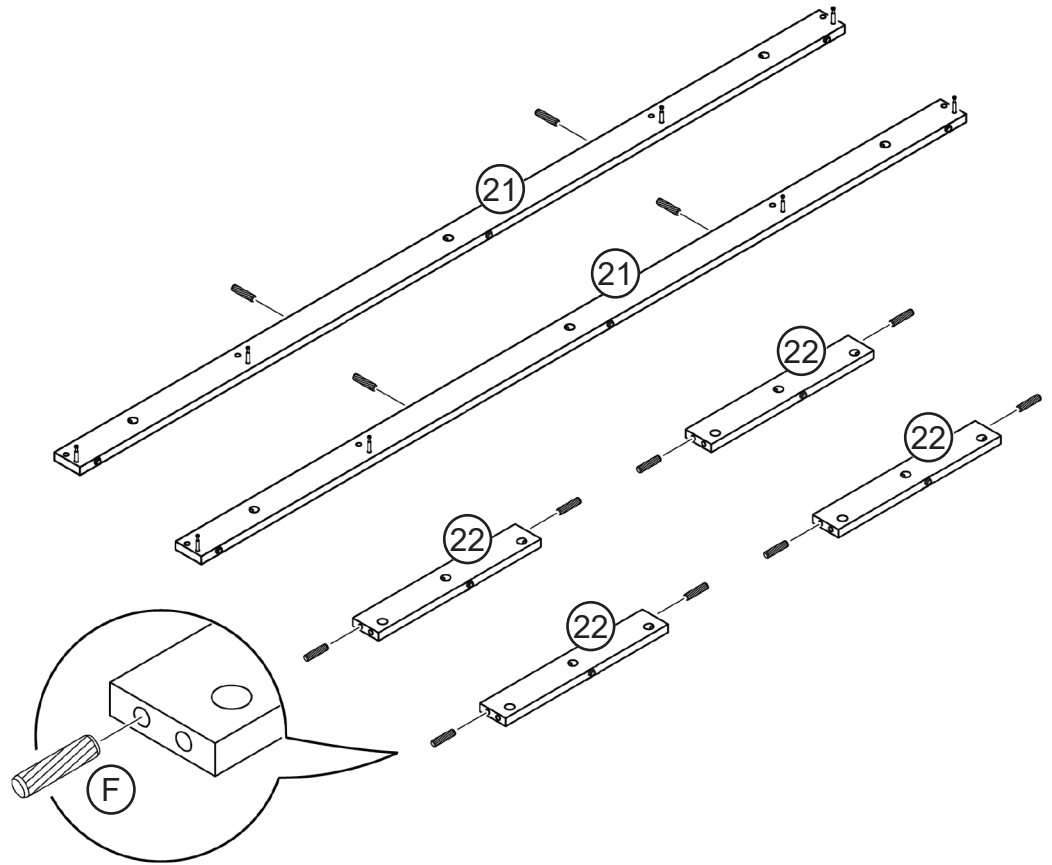
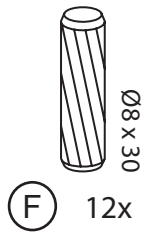
26

Attach cam bolts to the base long panels (21).



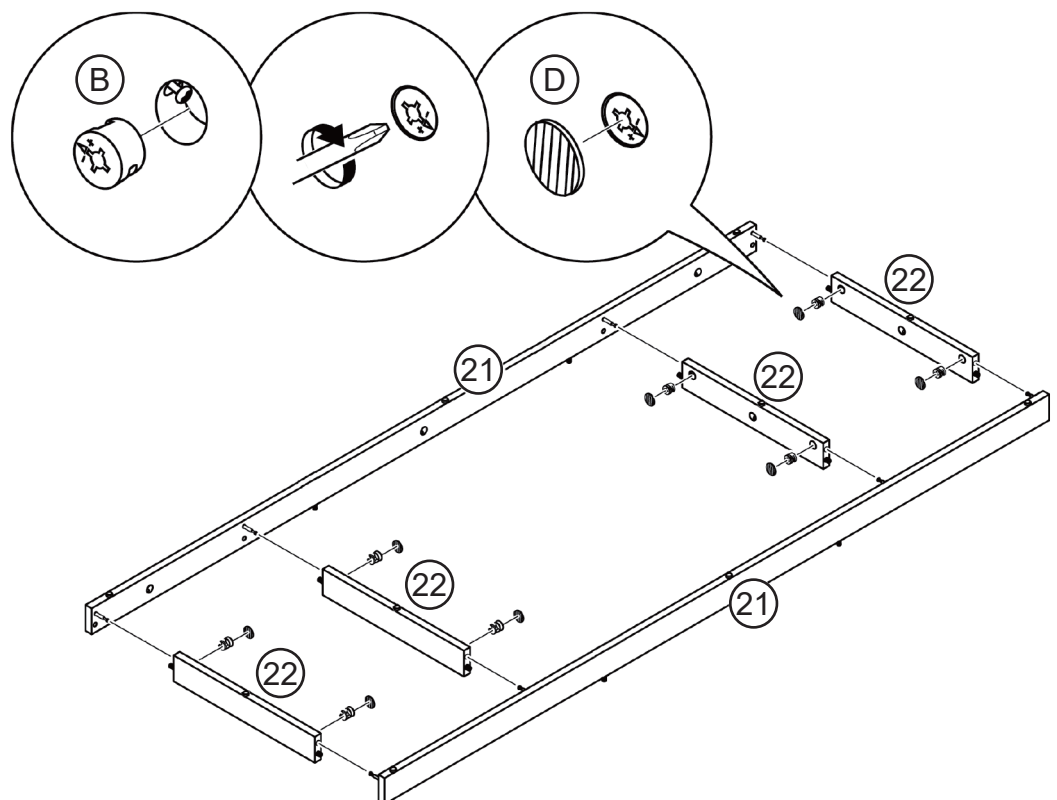
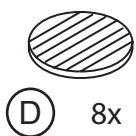
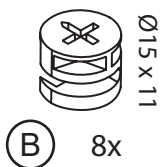
27

Insert long wood dowels to all the base panels (21, 22).



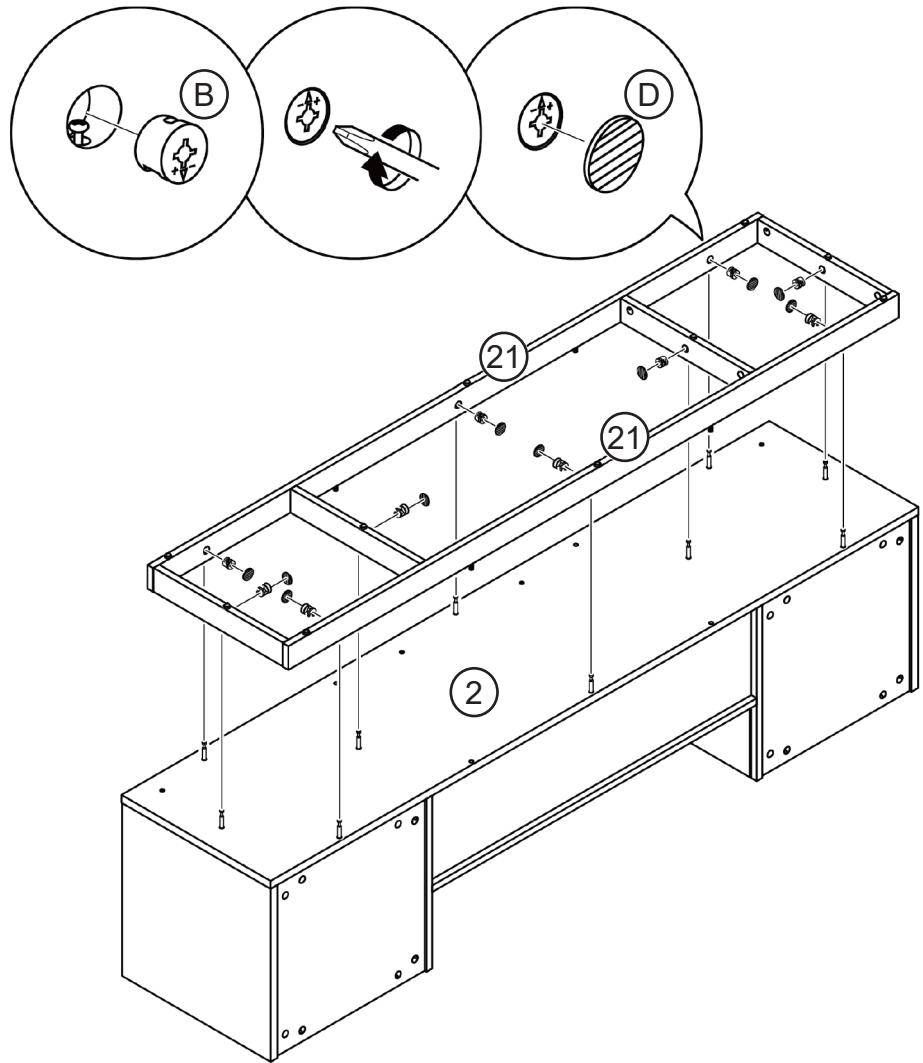
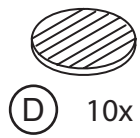
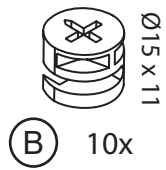
28

Assemble base short panels (22) between the base long panels (21).



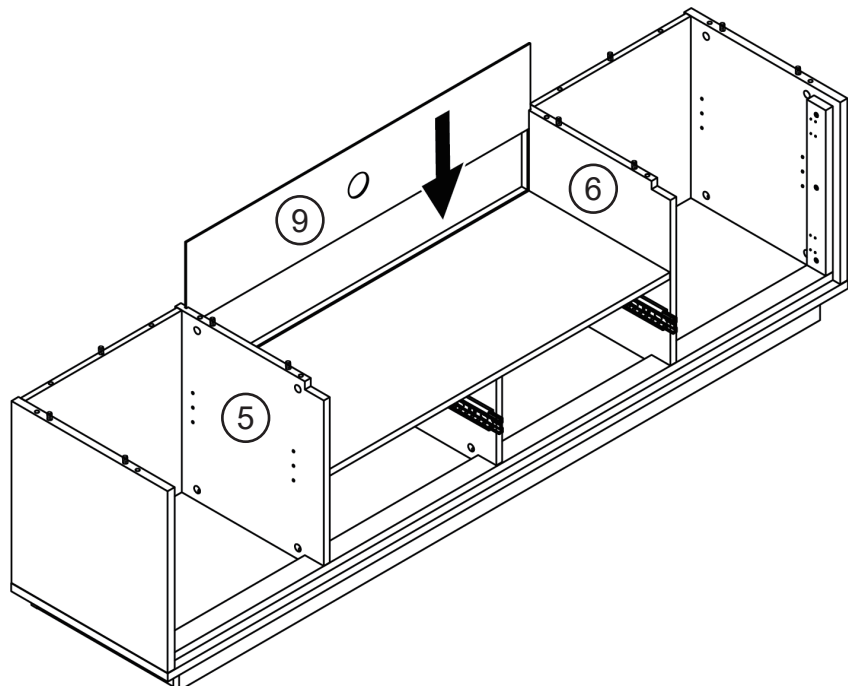
29

Assemble the base to the bottom panel.



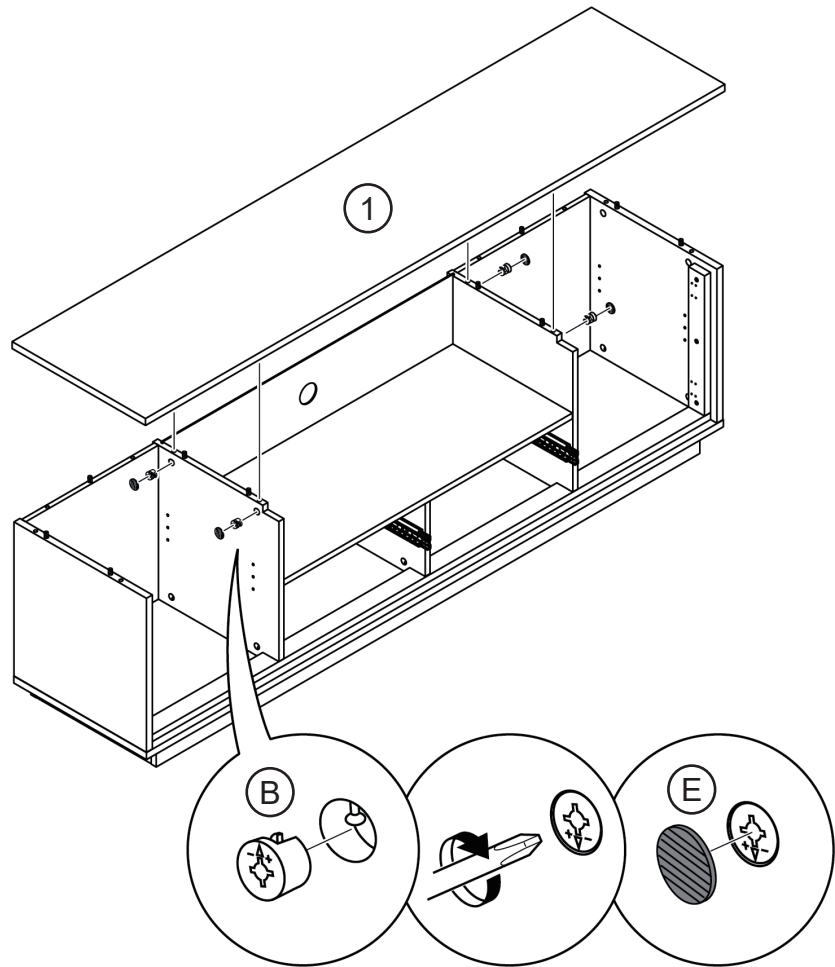
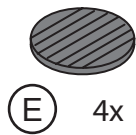
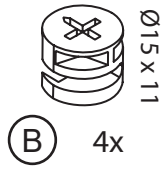
30

Put the TV stand assembly on its base, and then slide the top back panel (9) between the medial panels.



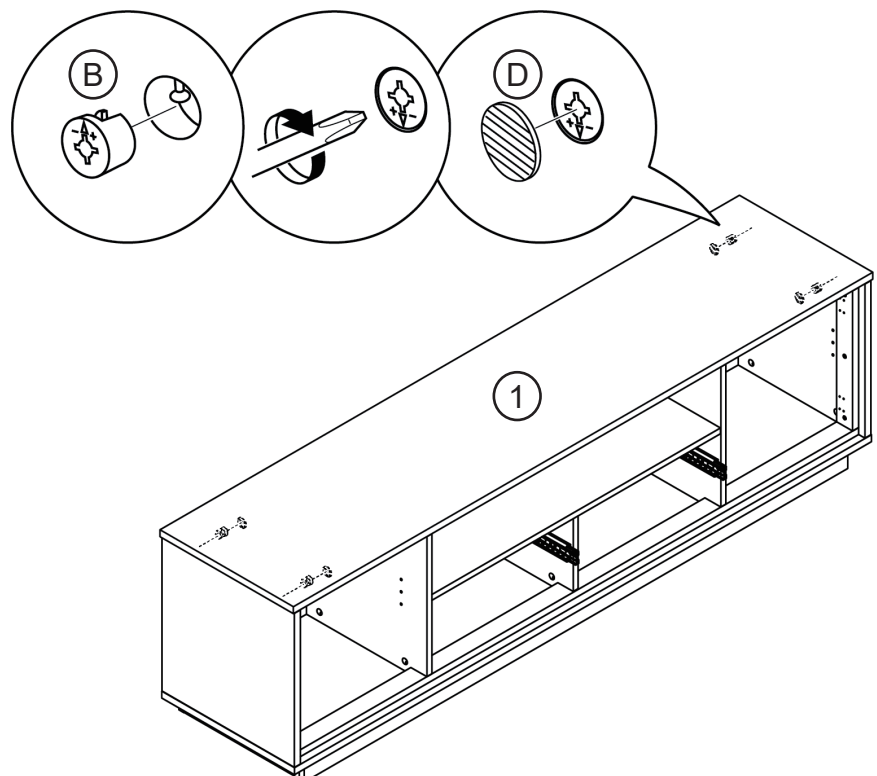
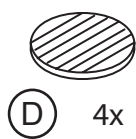
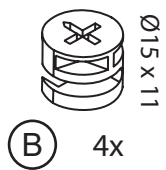
31

Assemble the top panel (1) on top of the assembly and secure it on the medial panels.



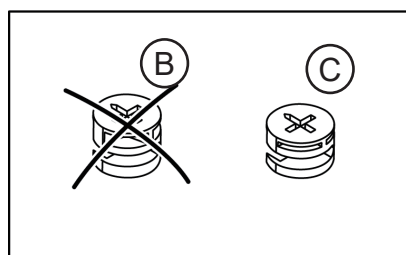
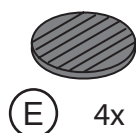
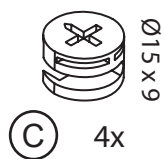
32

Secure the top panel to the lateral panels.

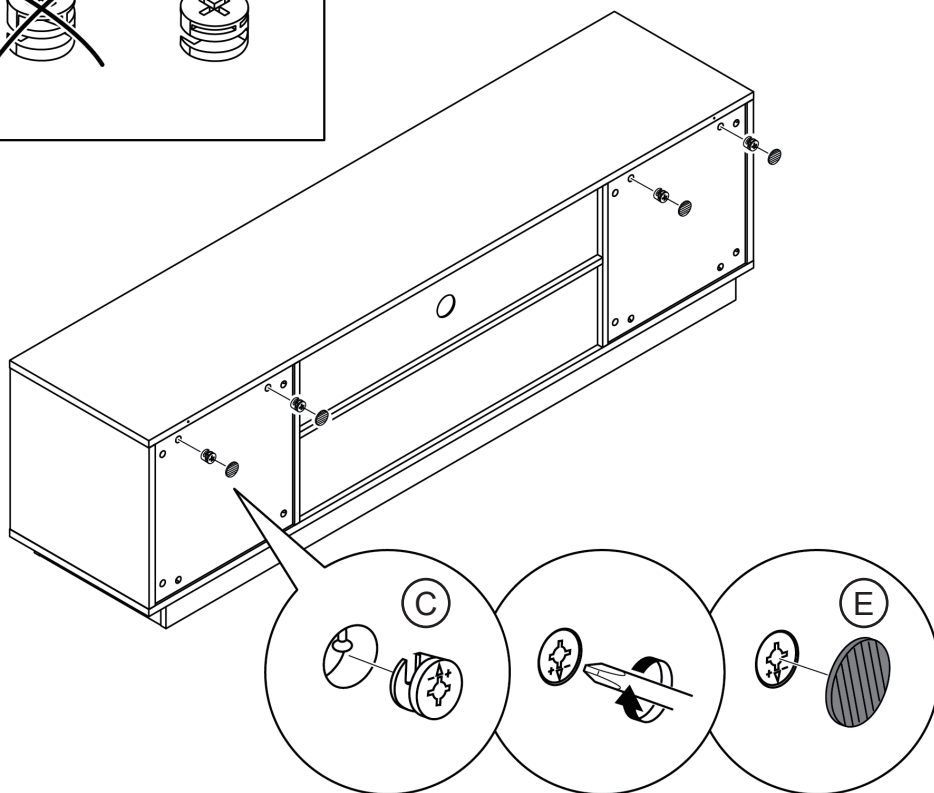


33

Secure the top panel to the side back panels.

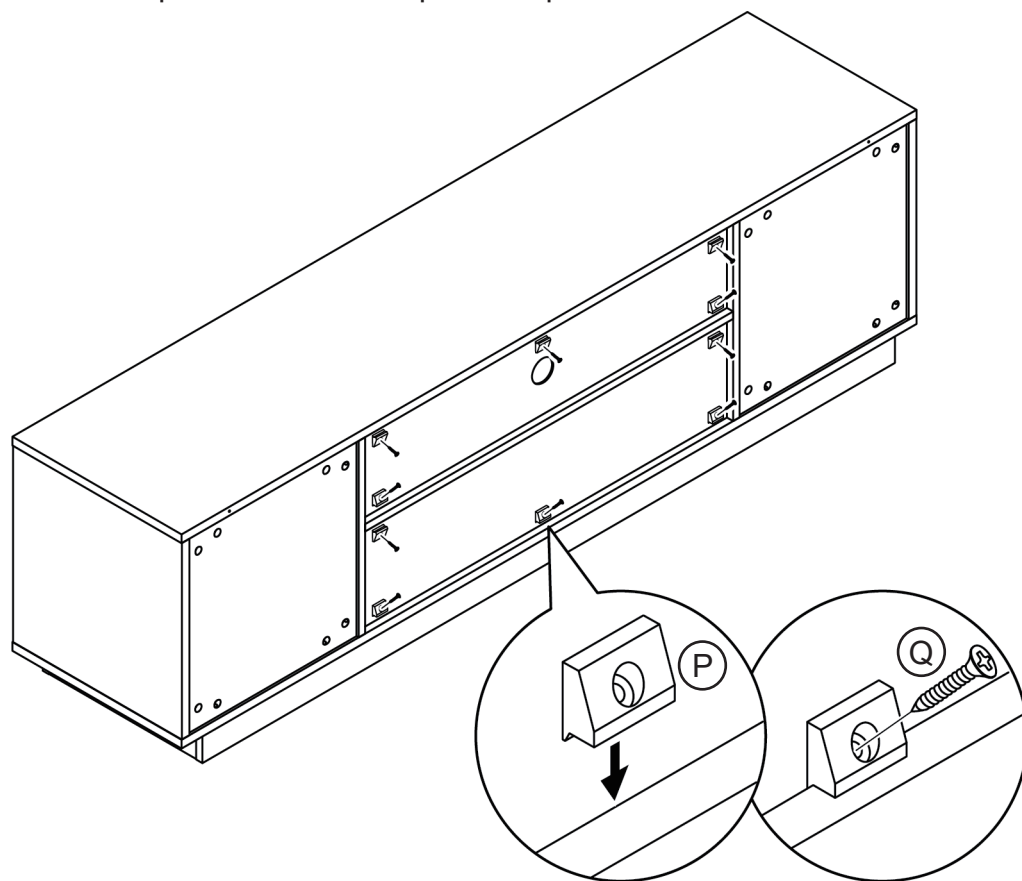
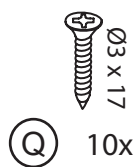
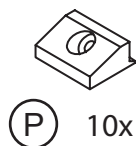


Note: Make sure to use the correct hardware.



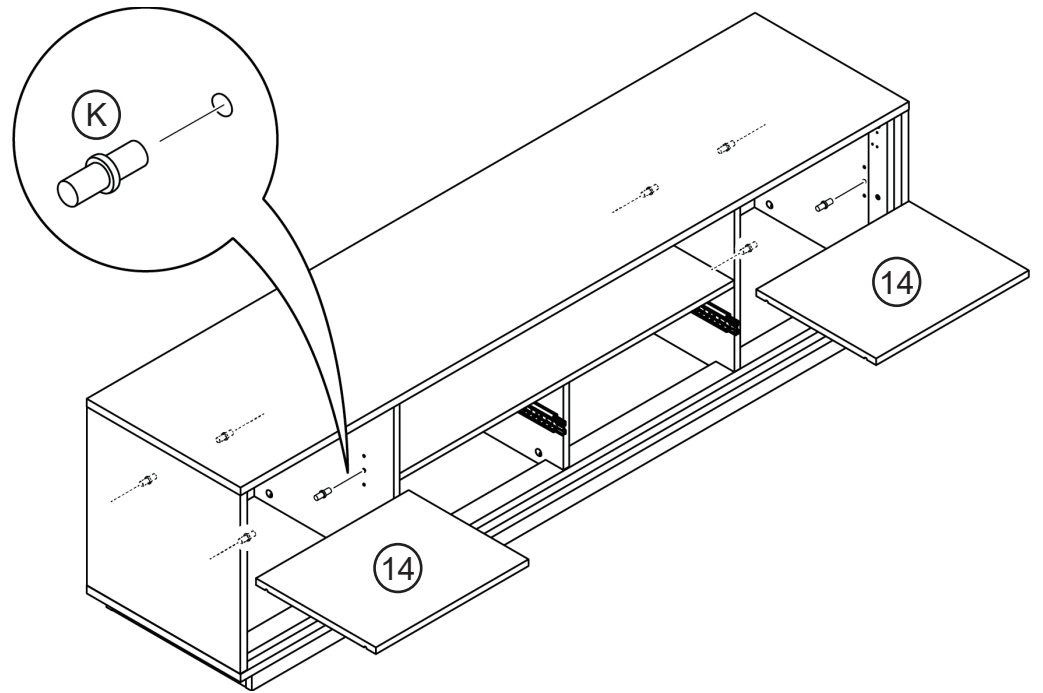
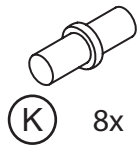
34

Secure the top and bottom back panels in place.



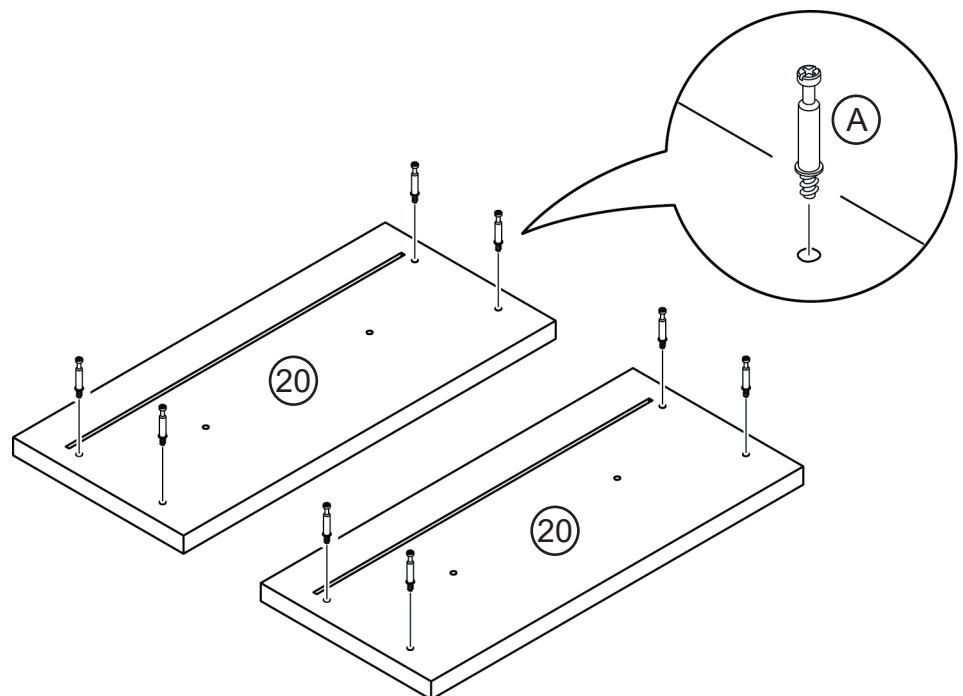
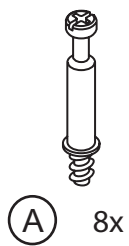
35

Insert shelf pegs into the TV stand and then place storage shelf panels (14) onto the pegs.



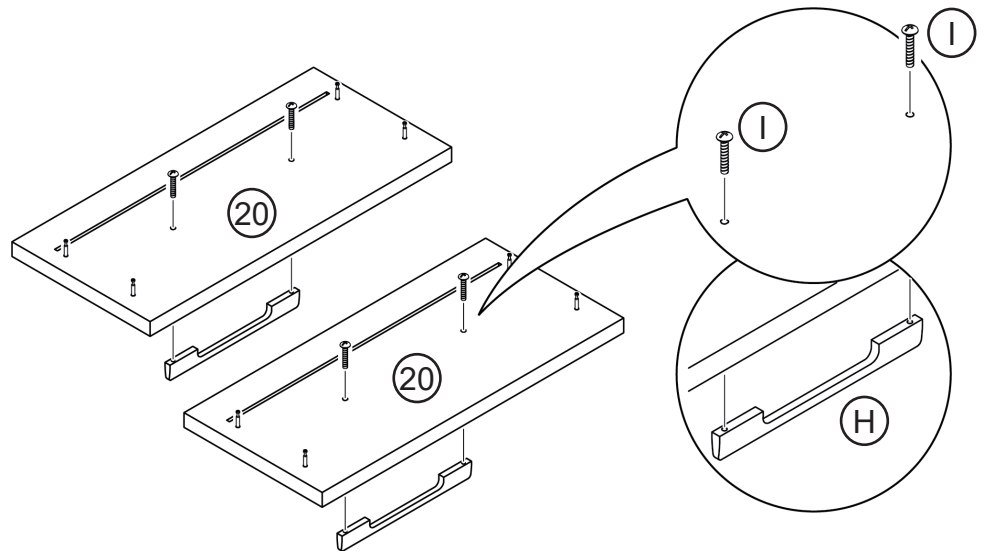
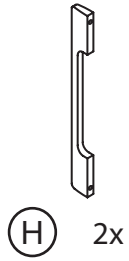
36

Insert cam bolts to the drawer front panels (20).



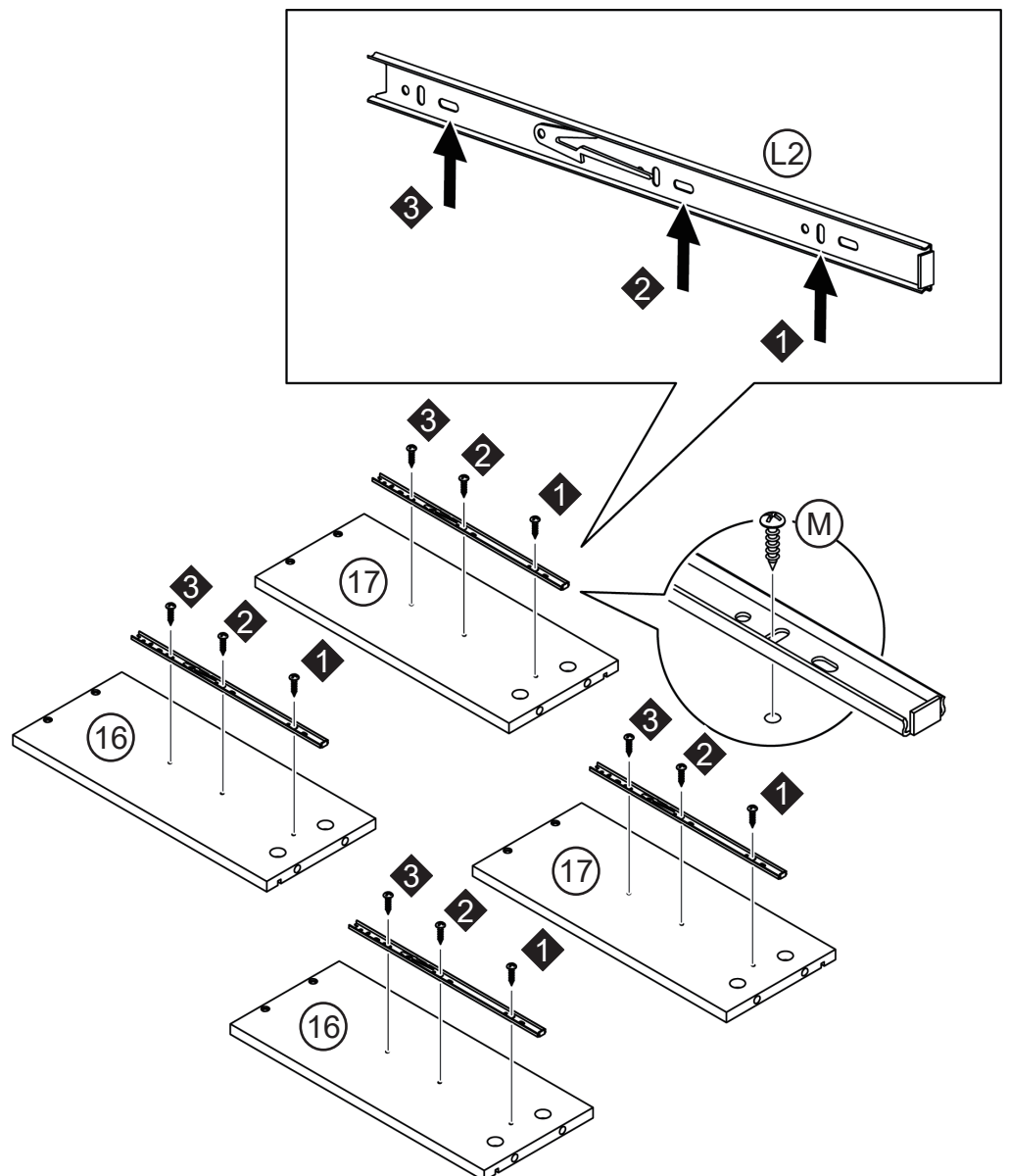
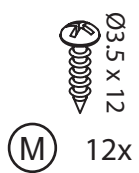
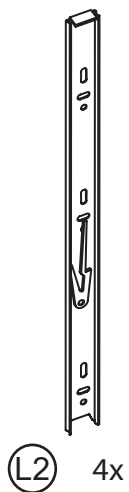
37

Attach door handles to the drawer front panels (20).



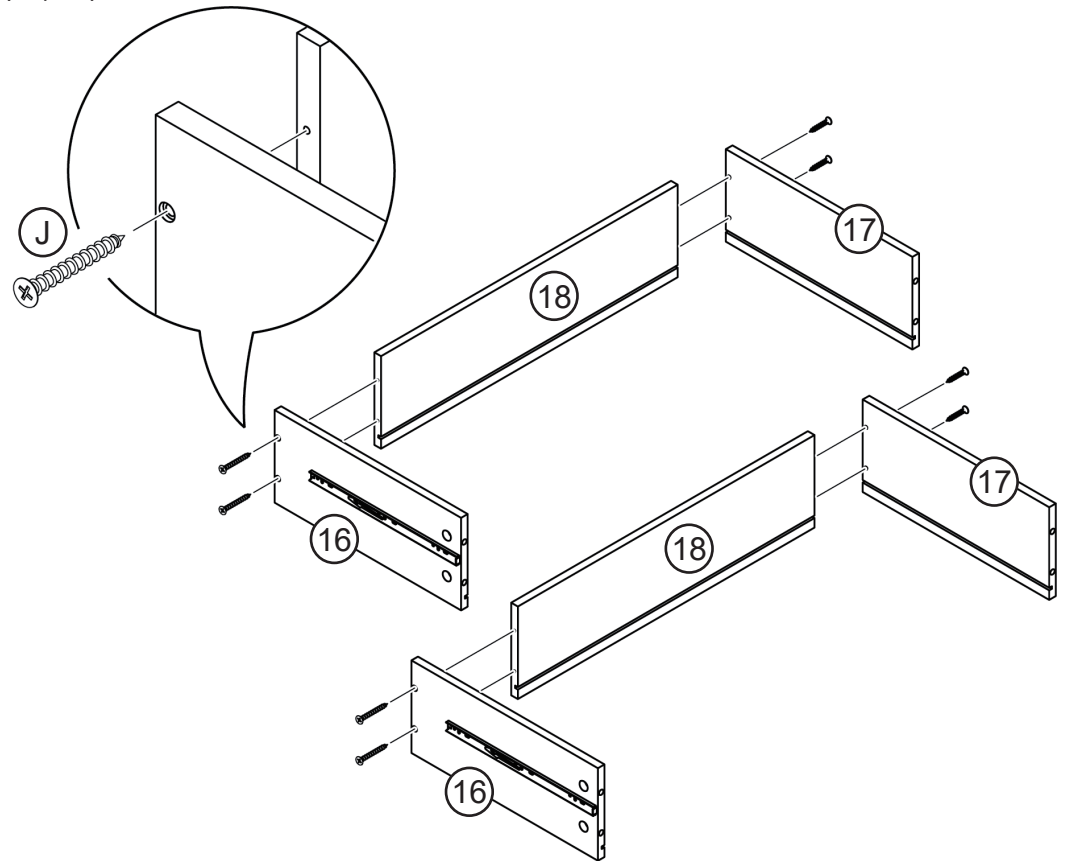
38

Attach drawer sliders to the drawer left and right panels (16, 17).



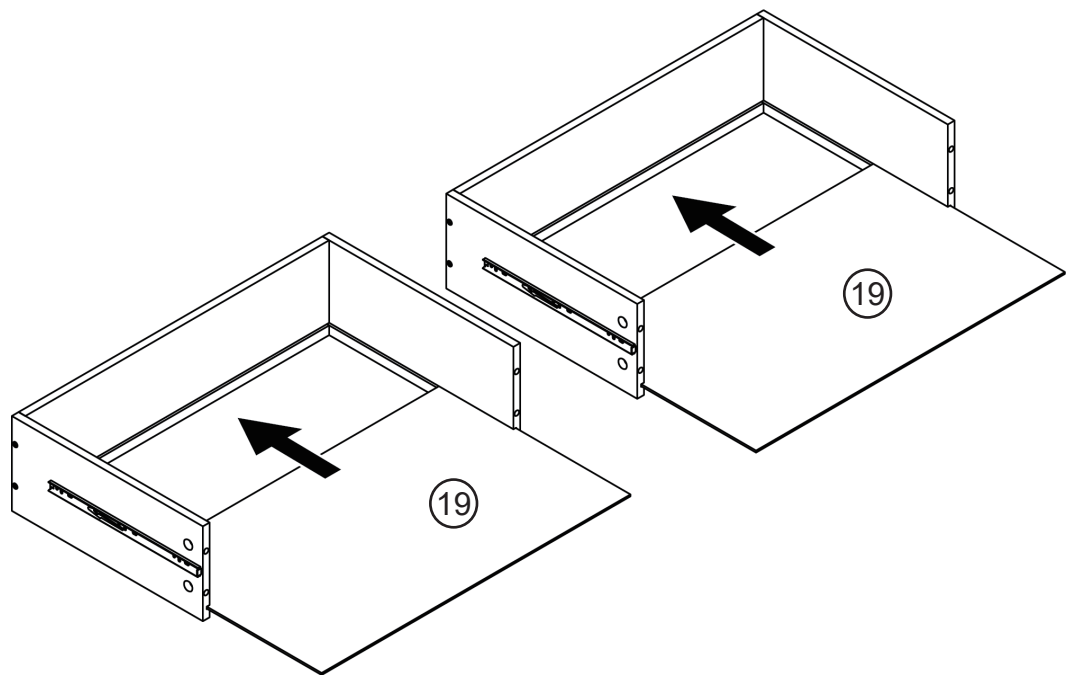
39

Assemble drawer back panels (18) between the drawer left and right panels (16, 17).



40

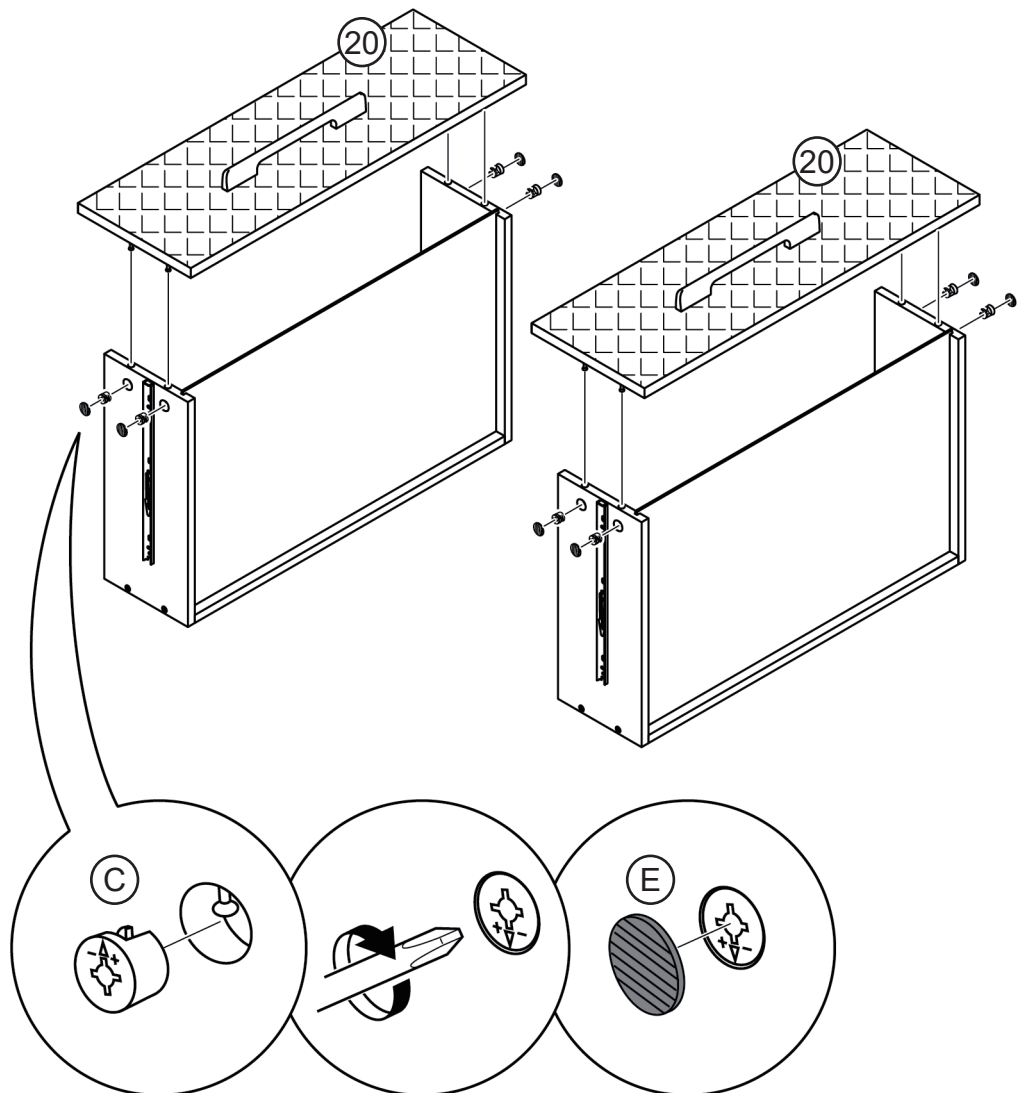
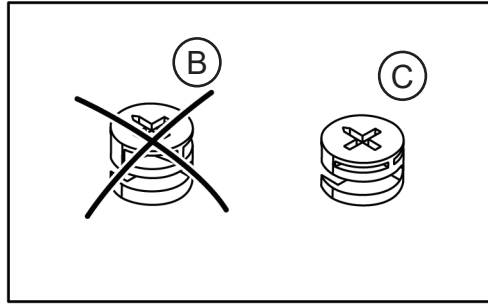
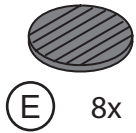
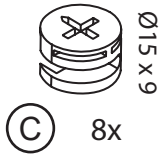
Slide drawer bottom panels (19) into the drawer assemblies.



41

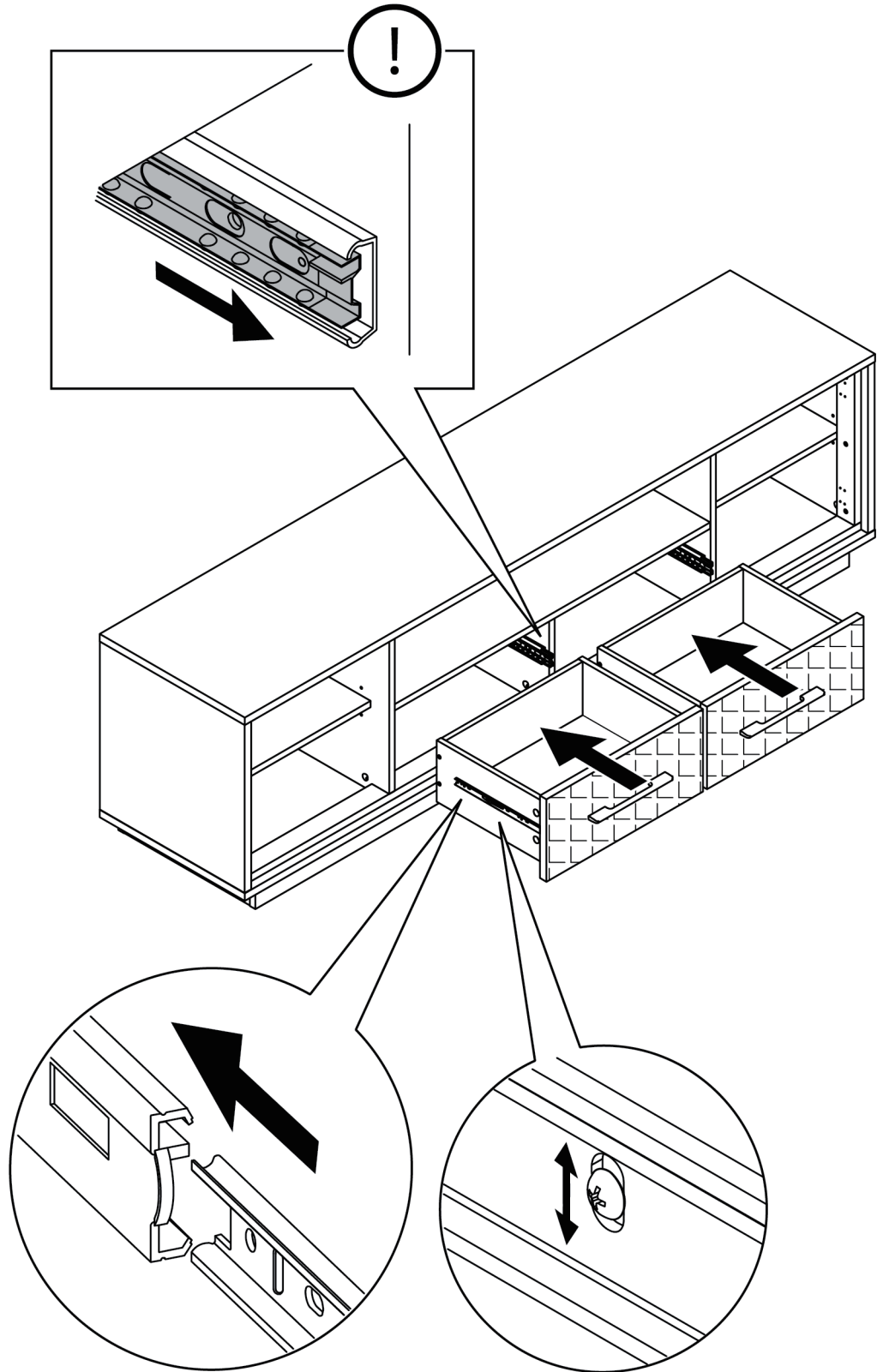
Assemble drawer front panels (20) the drawer assemblies.

Note: Make sure to use the correct hardware.



Slide drawers into the TV stand.

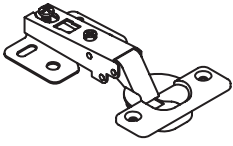
Note: Slide the slider plate to the forward position.



Up and down adjustment by loosening the screws on the slide runner.

43

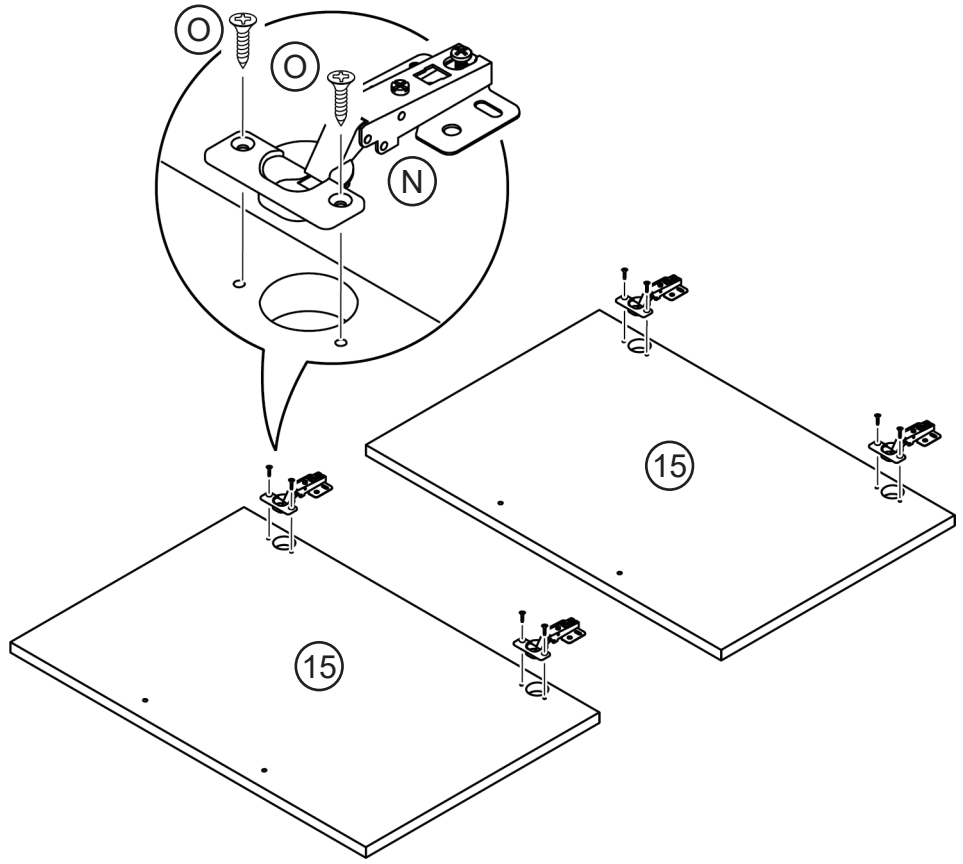
Attach door hinges to the cabinet doors (15).



(N) 4x



(O) 8x



44

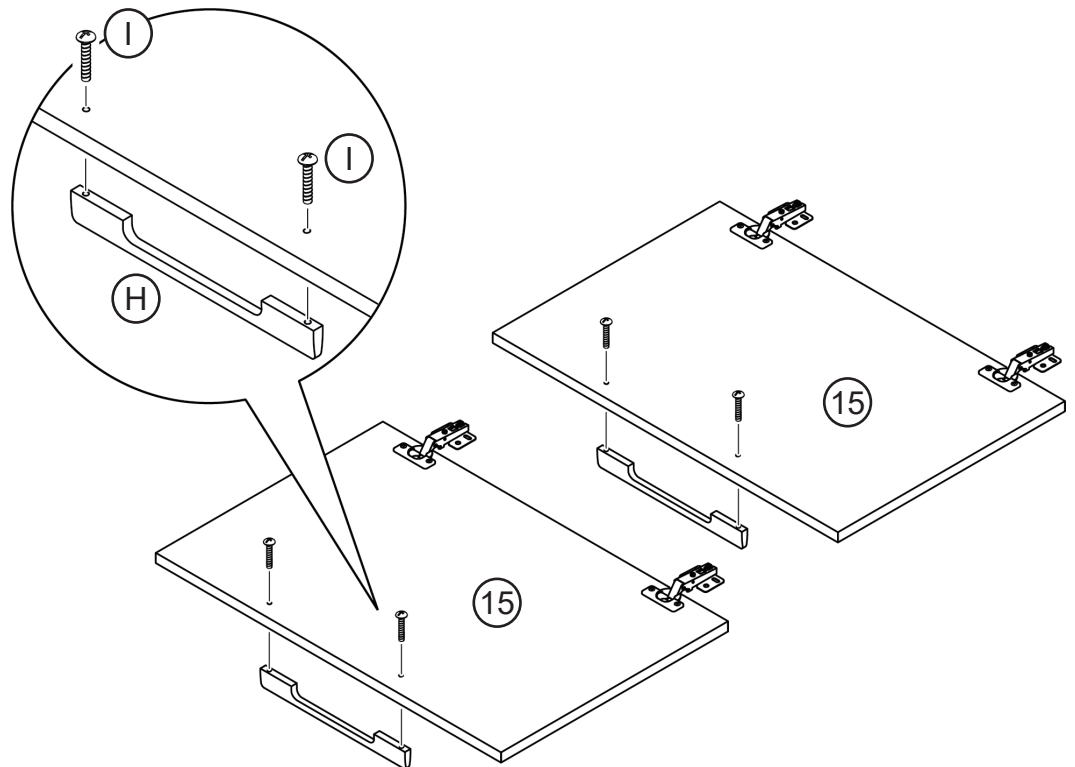
Attach door handles to the cabinet doors (15).



(H) 2x

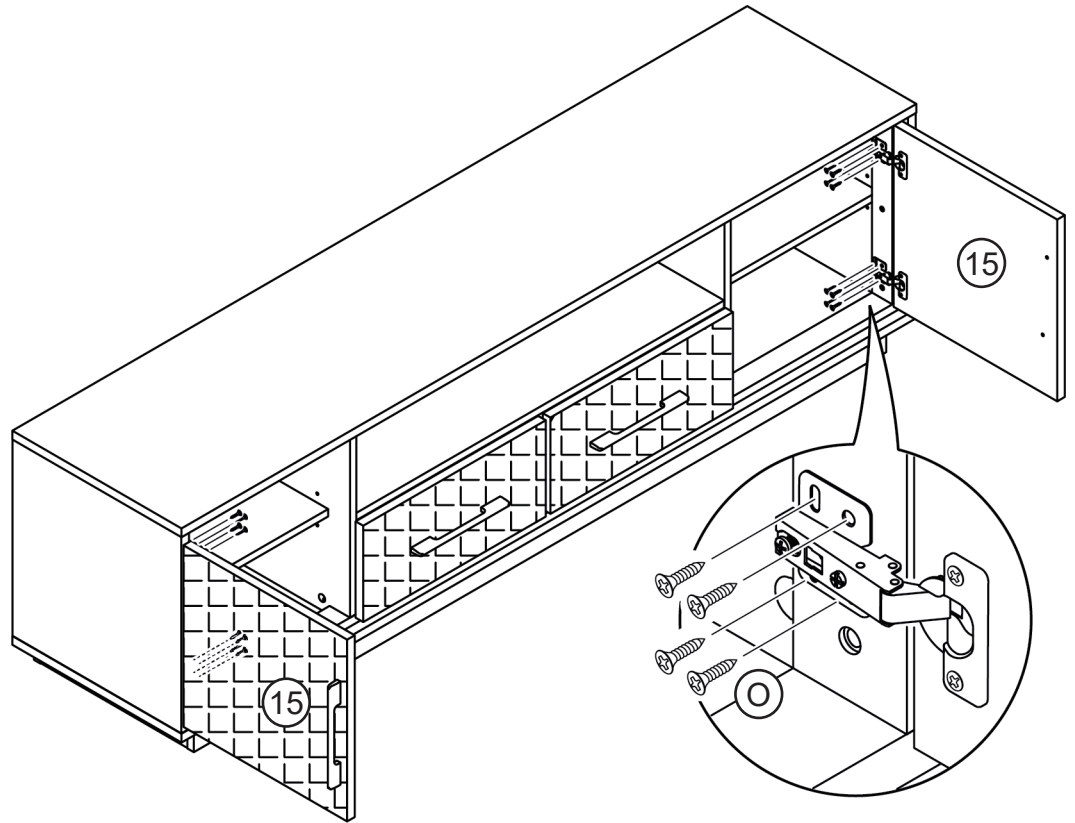
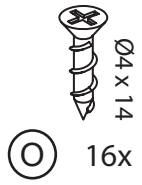


(I) 4x

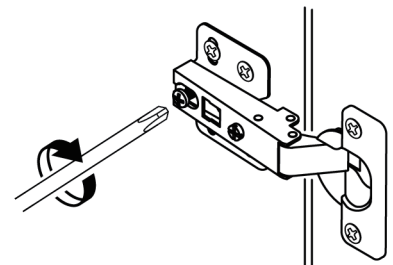
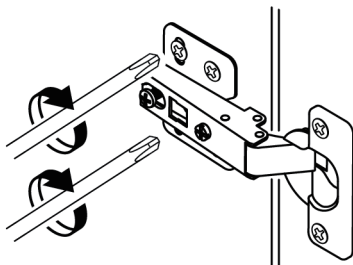
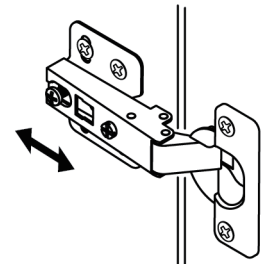
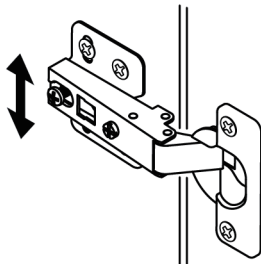
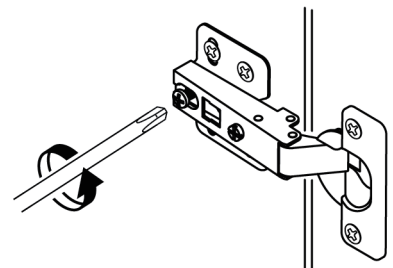
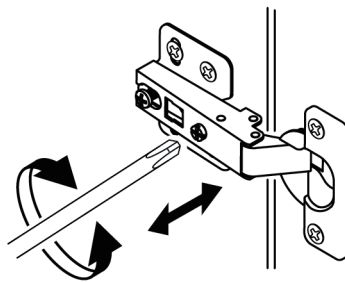
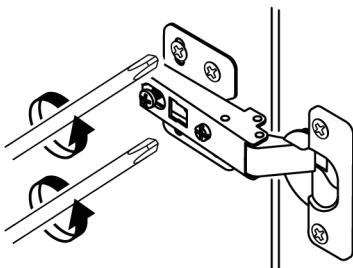
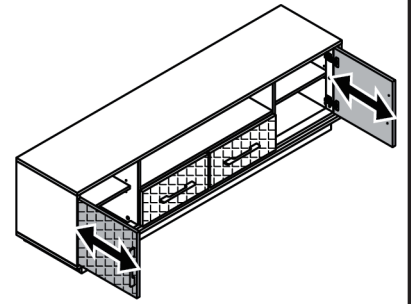
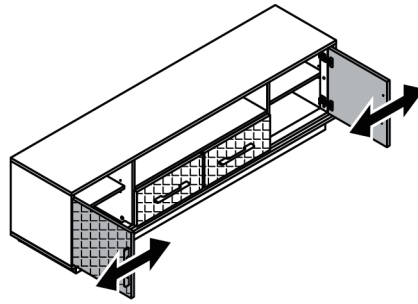
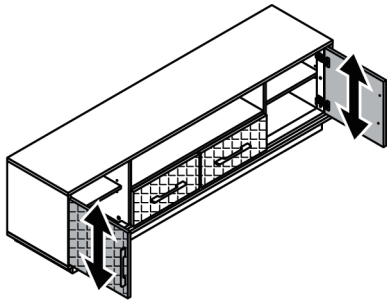


45

Attach cabinet doors to the TV stand.



When the clearance of the door is uneven, Adjust the cabinet door according to the figure. If you still have trouble while adjusting the door, please contact us.



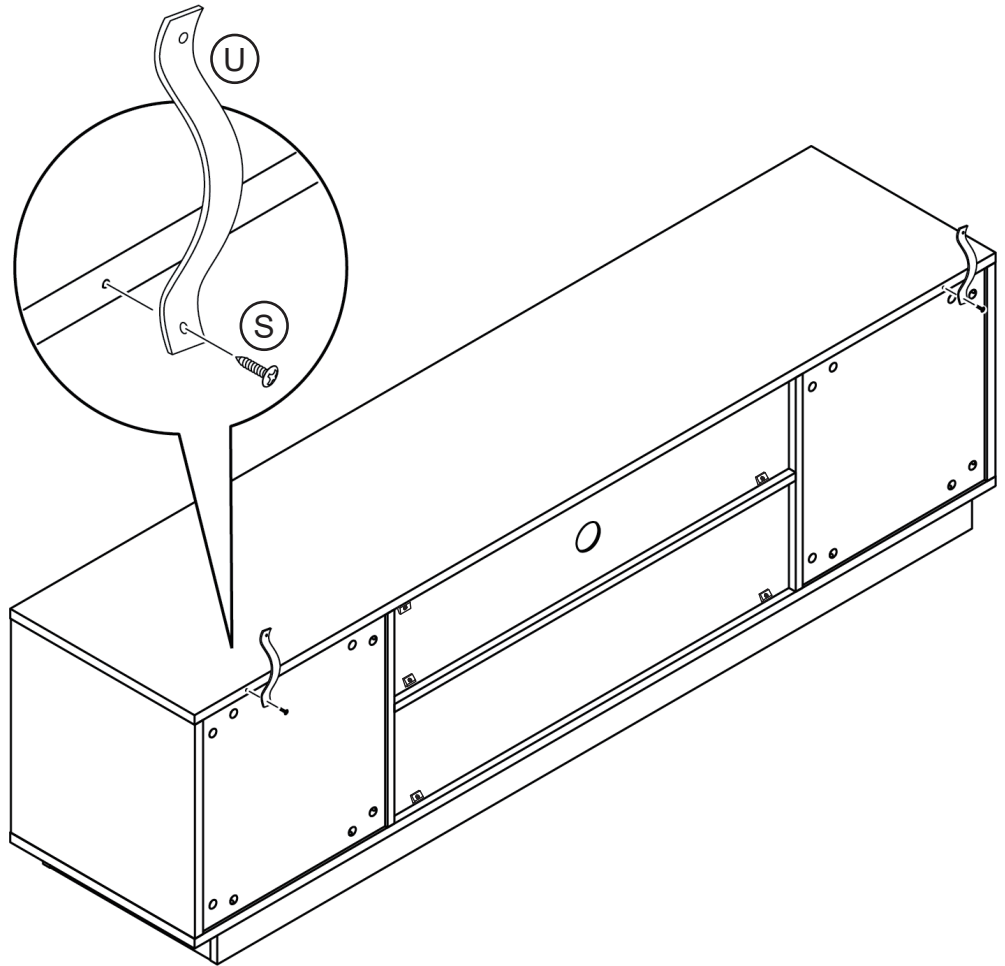
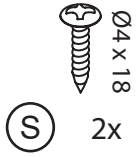
Up and down adjustment by loosening the screws on the mounting plate.

Side to side adjustment using the front adjustment screw on the hinge.

In and out adjustment by loosening the screws on the hinge arm.

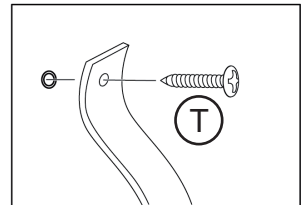
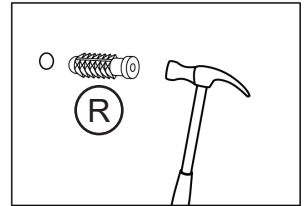
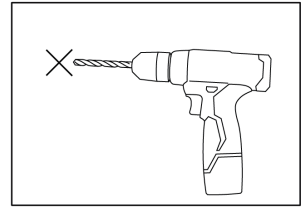
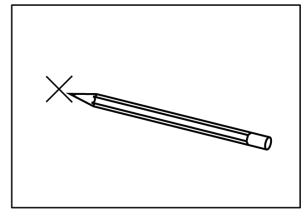
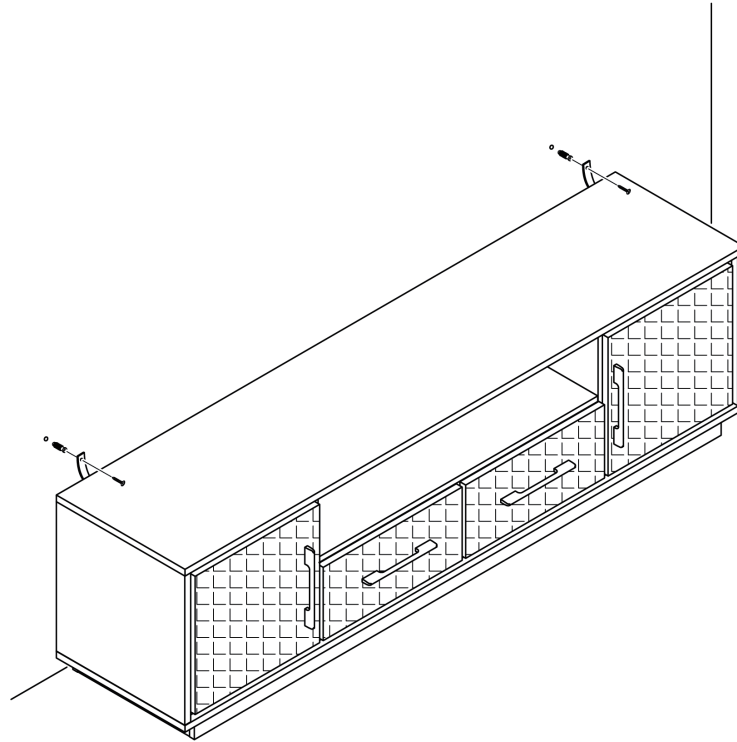
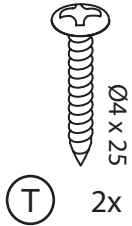
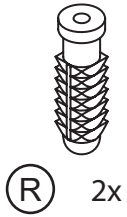
46

Attach anti-tipping straps to the back of the TV stand.



47

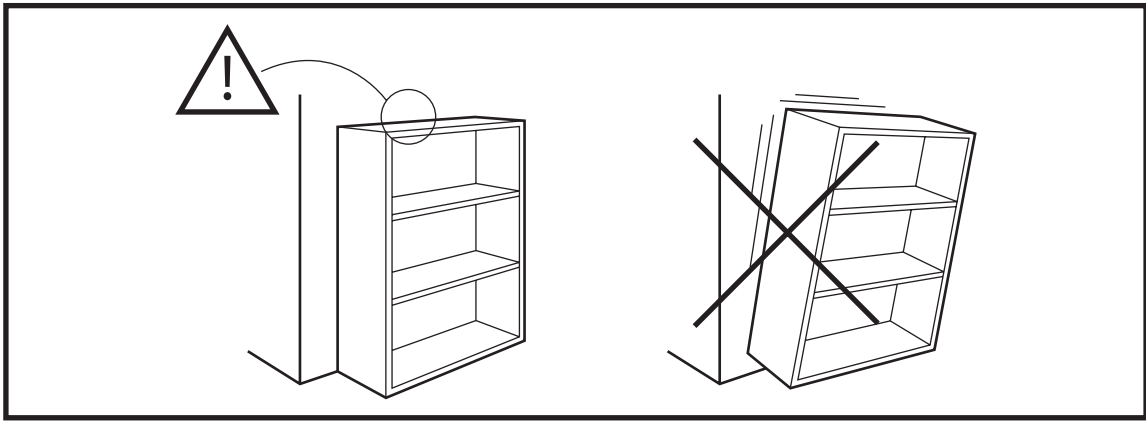
Affix the TV stand to a wall.



Furniture must permanently fixed to the wall stud with included anti-tipping device to prevent the furniture from tipping over.

- Mark drill positions on the wall with a pencil.
- Drill a small hole on the marked position.
- Insert wall anchors into the drilled holes.
- Zip tie the rack to the anti-tipping devices.

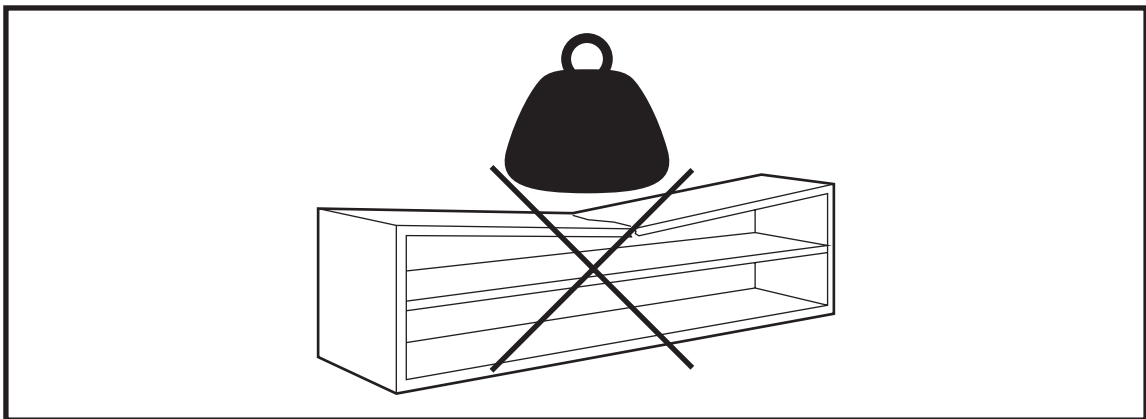
YOU'RE FINISHED!



Warning

Serious or fatal crushing injuries may occur if the furniture tip-over. Furniture must permanently affixed to the wall with included anti-tipping device in order to prevent the furniture from tipping over.

Different wall materials requires different types of wall anchors or screws. Use a suitable wall anchors or screws for your specific wall in order to secure the stability and load bearing capacity of the furniture. If you are uncertain about which type of device to use, please contact us or your local hardware store.



Warning

Only place items on top of the product if they meet the recommended size and weight limits.

Climbing on, stepping on, or placing overweighted objects on the product may cause property damage and/or injuries.

Items placed onto this product must be resting on a support surface without hanging over the edges.

WARNING

For use with televisions weighing 80lbs (36.3kg) or less. Use with heavier televisions may result in instability, causing tip over resulting in death or serious injury.

Death or serious injury may occur when children climb on audio and/or video equipment furniture. A remote control or toys placed on the furnishing may encourage a child to climb on the furnishing and as a result the furnishing may tip over on to the child.

Relocating audio and/or video equipment to furniture not specifically designed to support audio and/or video equipment may result in death or serious injury due to the furnishing collapsing or over turning onto a child.

NOTICE

The recommended maximum width of the television is 75 inches. Do not exceed the maximum load capacity.

This product is designed for flat panel TVs only.

BELLEZE[®]

FURNITURE CARE AND MAINTENANCE

Medium - Density Fiberboard

Thank you for your purchase. We want your item to last as long as possible. To ensure the product gives you years of longevity, please follow the recommendations in this care and maintenance guide.



MAINTENANCE

- Tighten all bolts and screws again within the first 2 weeks of assembly.
- Check the tightness of all bolts every 2 months and tighten them if necessary.



CLEANING

- Clean the surface of the MDF (medium - density fiberboard) with a lightly dampened cloth.
- A small amount of mild soap can be used if necessary.
- Dry the surface immediately after cleaning.

- ⚠ DO NOT use bleach or alcohol to clean the surface.
- ⚠ DO NOT apply wood treatment on parts made with MDF.

MDF will swell and distort when exposed to water damage. Make sure to dry the furniture immediately after cleaning.

⚠ WARNING

The manufacturer and seller are not responsible for any and all liability relating to personal injury, property damage or losses, whether direct, indirect, or incidental, resulting from the incorrect attachment, improper use, inadequate maintenance, unapproved modification or neglect of this product.

© All copyright of this document belongs to BELLEZE.
This document may not be printed, translated, reproduced, or distributed in whole or in part without written permission from BELLEZE.

WARRANTY

BELLEZE products come with a 1-year warranty from the date of delivery.
Register your product on our website to enjoy our limited lifetime warranty!



AFTER-SALE SERVICE



Encounter any difficulties or missing parts?



Contact us at **1-800-682-6376** or email us at **support@belleze.com**



We will send you replacement.



Hassle free!
No need to worry about repackaging and sending your item back.

We hope you enjoy your new BELLEZE furniture!
Share your photos on Instagram and tag us: @bellezefurniture.

FOLLOW US:



@bellezefurniture

CONTACT INFO:

support@belleze.com
1-800-682-6376

BELLEZE®