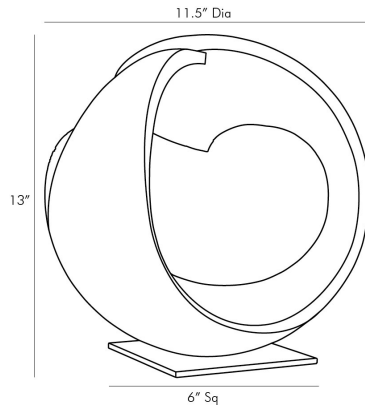


# ARTERIOURS

## DAWSON SCULPTURE



9237

H: 13 IN, Dia: 11.50 IN

Charcoal

Contract Suitable As Is

Sweeping curves reflect the volatile and peaceful movements of oceanic currents in this orb-like structure. Its abstract open-form profile is constructed of ricestone in a charcoal finish that is reminiscent of lava stone. A thin antique brass embellishments that trace part of its silhouette. Showcase on a console or étagère and let this sculpture be a representation of what's to come.

### APPEARANCE

Material	Ricestone, Steel
Material Type	Composite
Finish	Antique Brass
Finish Will Vary	true
Top Coat/Sealant	false

### DIMENSIONS

Foot Print W: 6 IN, D: 6 IN

### SHIPPING

Product Weight	14.5 LBS
Gross Weight 1	18.2 LBS
Shipping Box 1	H: 14 IN, L: 16.9 IN, W: 16.9 IN