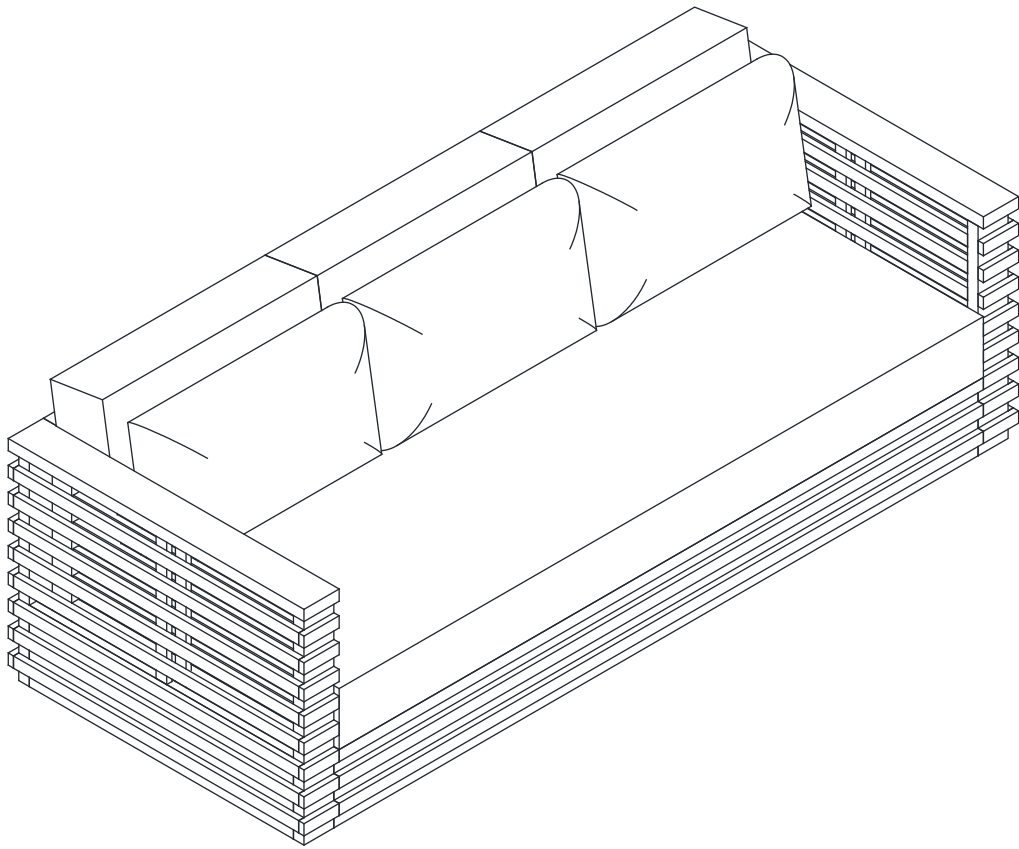


# TORTUGA EUCALYPTUS PATIO SOFA

DESIGN # CPT1048

Assembly Instructions



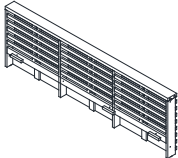

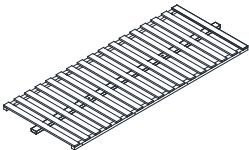

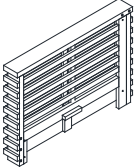
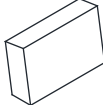
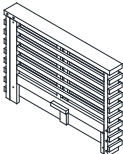
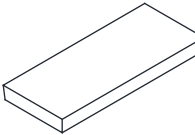

**SAFAVIEH**  
C O U T U R E

---

# Thanks for bringing Safavieh Couture into your home

Everything We make is incredibly simple to set up, including your new dining chair. You won't need any additional tools.

## Parts & hardware

<b>A x 1</b> Frame back		<b>E x 2</b> Leg 3	
<b>B x 1</b> Frame Seat		<b>F x 1</b> Frame Front	
<b>C x 1</b> Frame Leg 1		<b>CSH 1 x 3</b> Back Cushion	
<b>D x 1</b> Frame Leg 2		<b>CSH 2 x 1</b> Seat Cushion	
		<b>CSH 3 x 3</b> Pilot Cushion	

---

**HW1 x 6**  
Allen Bolt: M6x0.5x35 mm



**HW2 x 4**  
Allen Bolt: M6x0.5x45 mm



**HW3 x 8**  
Allen Screw: M6x0.5x45 mm



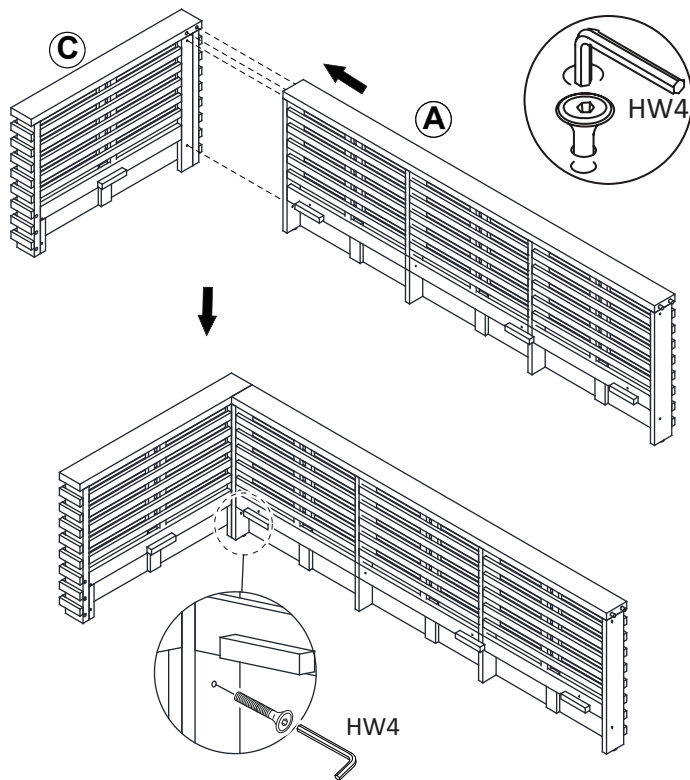
**HW4 x 1**  
Allen key



---

1

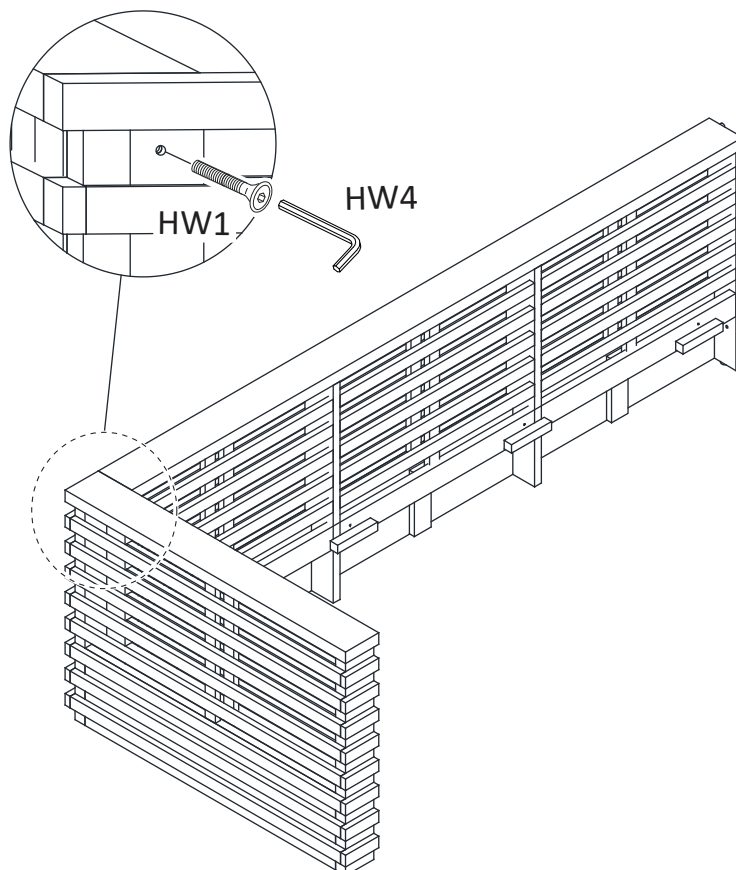
Attach Frame Leg 1 (C) to Frame Back (A), use Bolt (HW1) tighten with allen key (HW4).



---

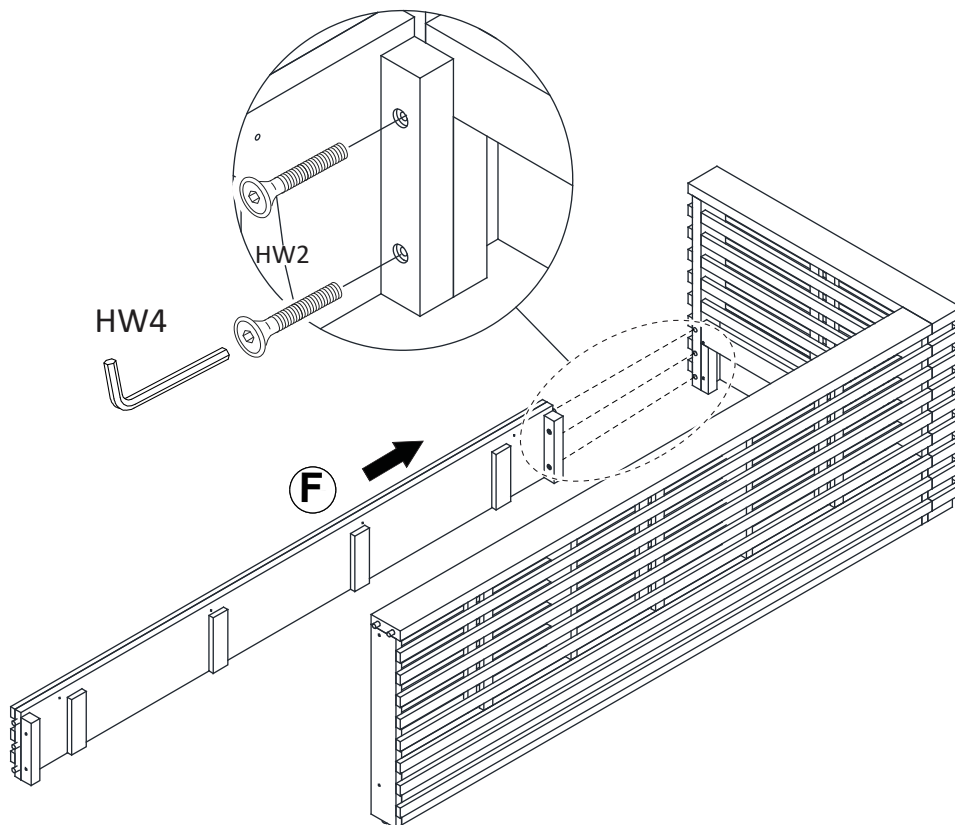
2

Use Bolt (HW1) tighten with allen key (HW4).



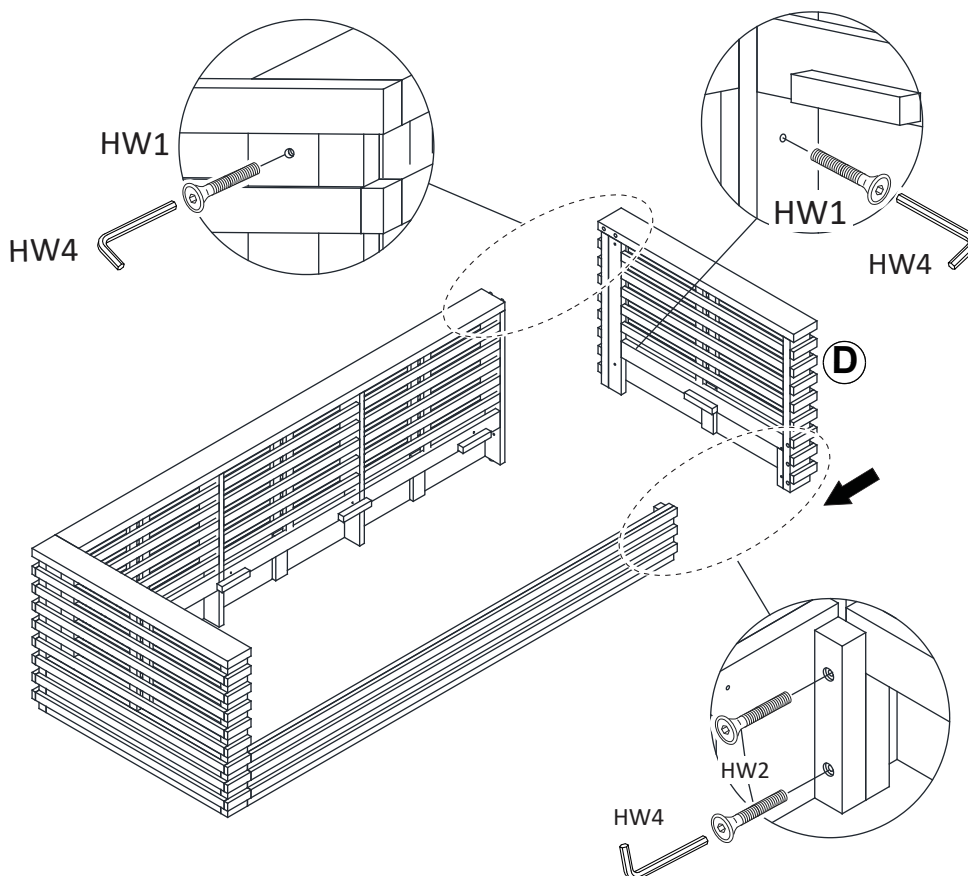
3

Attach Frame Front (F) to Frame Leg 1 (C) ,use Bolt (HW2)  
tighten with allen key (HW4).



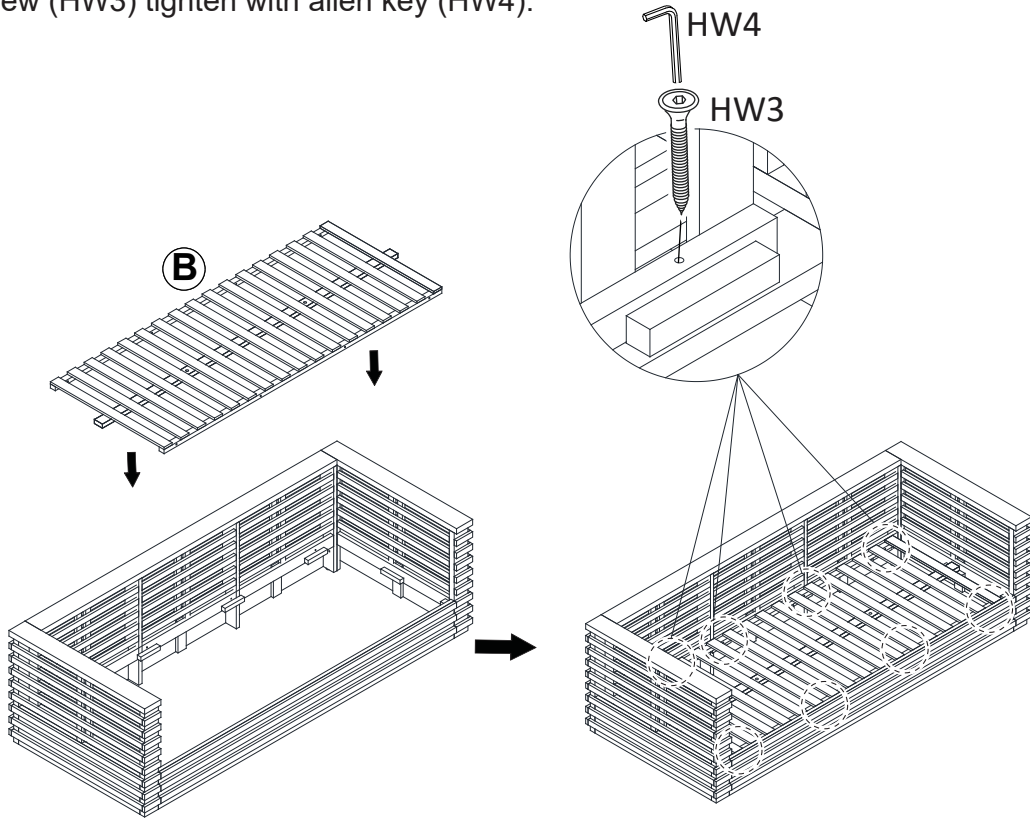
4

Attach Frame Leg 2 (D) to Frame Front (F) and Frame Back (A)  
Use Bolt (HW2),(HW1) tighten with allen key (HW4).



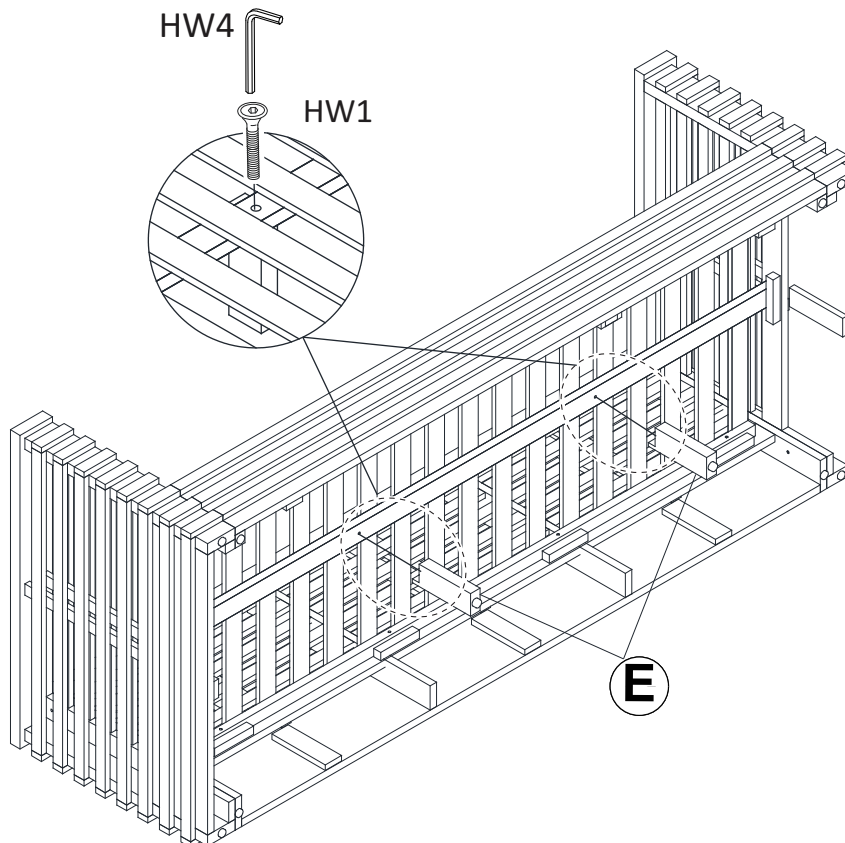
5

Attach Frame Seat (B) to Frame as shown above  
Use Screw (HW3) tighten with allen key (HW4).



6

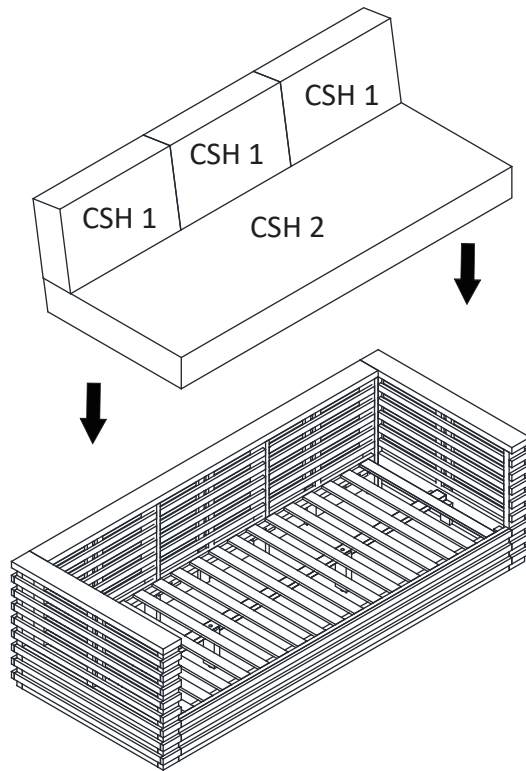
Attach Leg 3 (E) to Frame Seat (B) shown above  
Use Bolt (HW1) tighten with allen key (HW4).



---

7

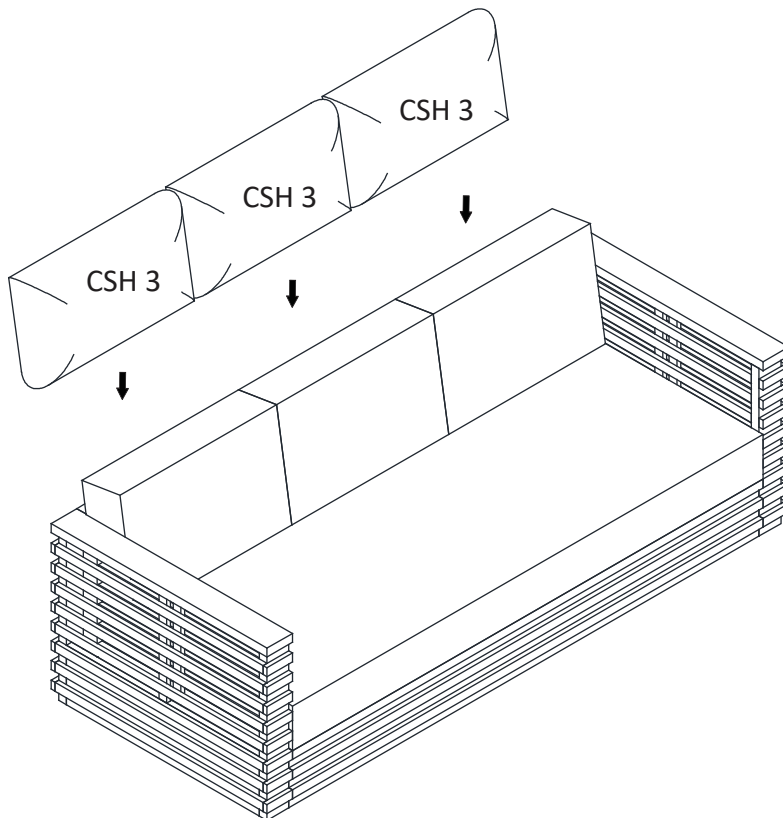
Attach Seat Cushion (CSH 2) and Back Cushion (CSH1) in Chair.



---

8

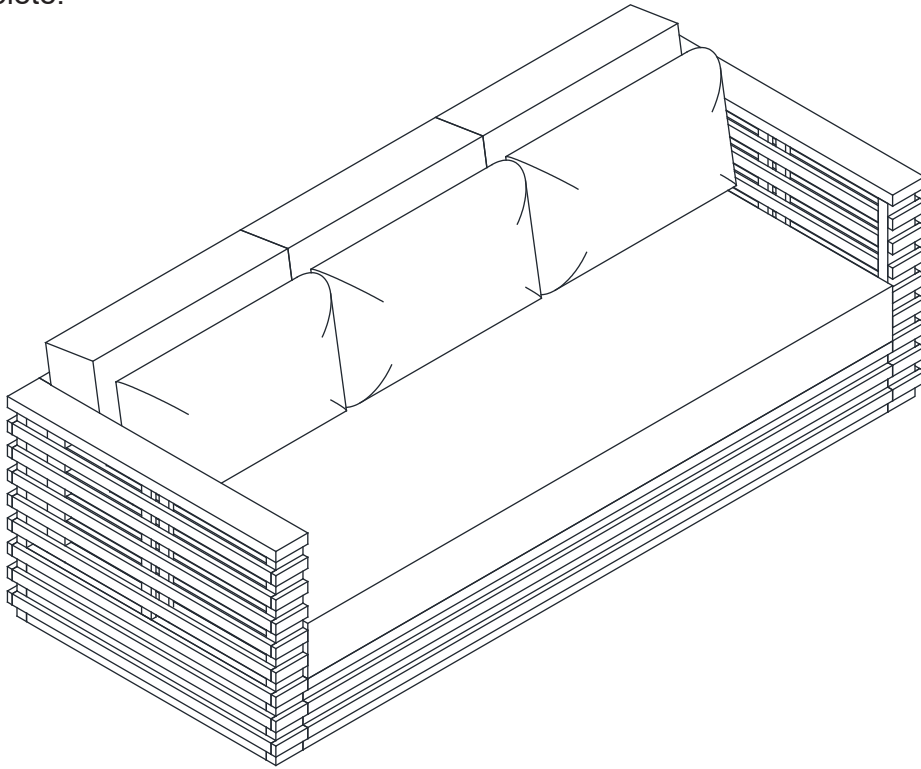
Attach Pilot Cushion (CSH 3) in Chair.



---

9

Complete.



**Need help?**

Feel free to contact us via email or call  
If you have any specific question!

**Contact us:**

CS@safavieh.com  
866-422-9070