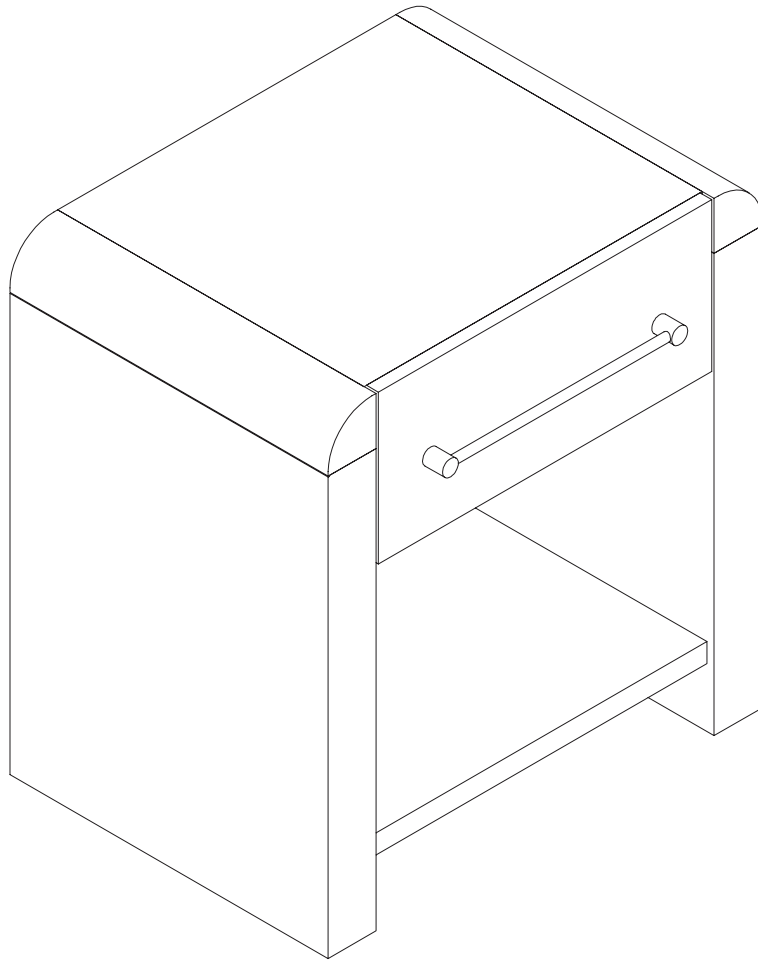


Let's build the

Benjamin Nightstand

SKU 32740



Scan me!

Free Lifetime
Guarantee

 **nathan james**

25-0802-VN

Ok, let's get rolling

This should be easy, just follow our instructions and you will be back to Netflix in no time.

Estimated time for assembly



35:00

What you need

- Some of your favourite bubbly or your preferred relaxant
- Use the packaging carton as a working surface to prevent product damage during assembly
- Phillips head screwdriver

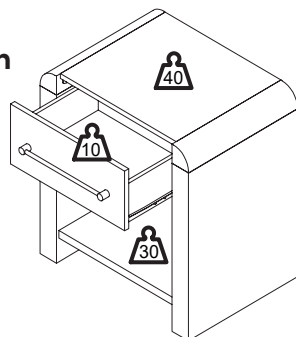
Do not use a drill



Weight Limitation



80
lbs



Toll-free at 1-866-619-1004
Help@nathanjames.com
Nathanjames.com/help

What's included

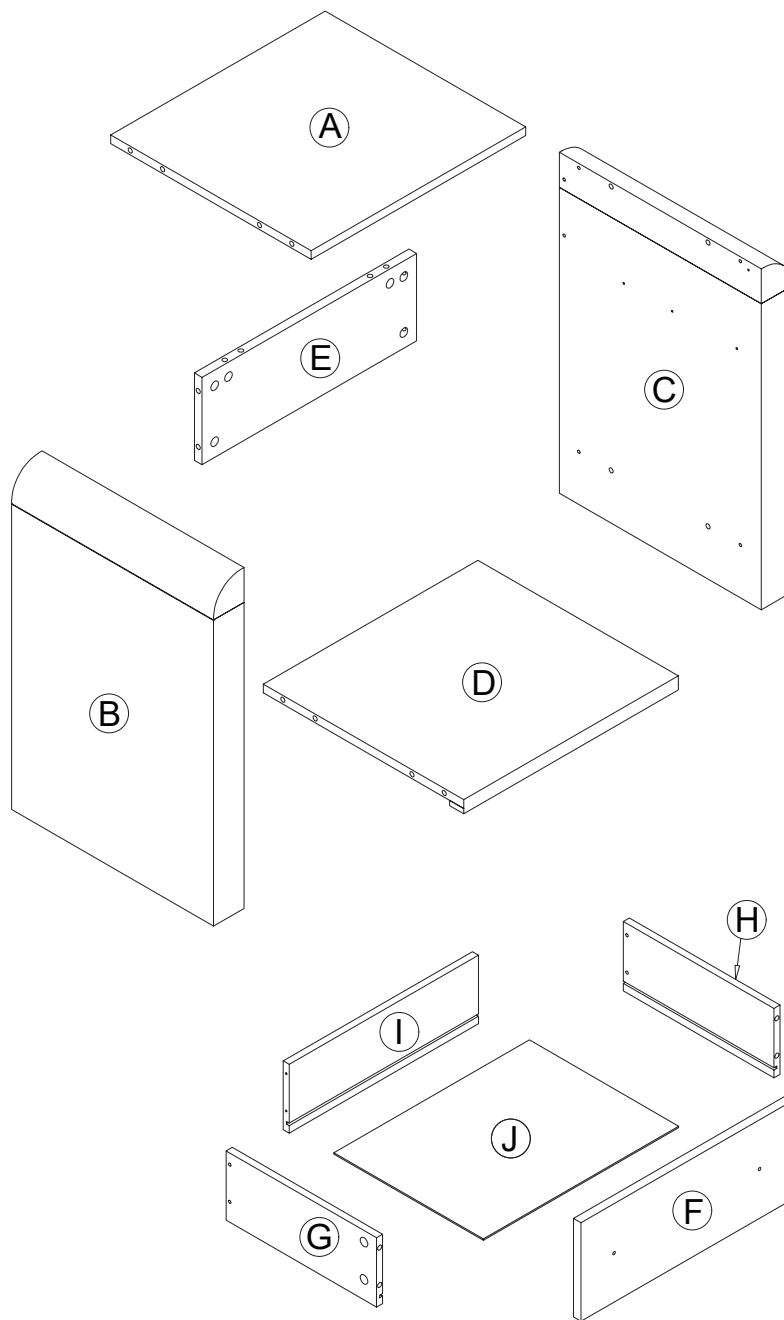
Description	Qty
A Top Panel	1
B Side Panel (Left)	1
C Side Panel (Right)	1
D Shelf Panel	1
E Back Panel	1
F Drawer Front Panel	1
G Drawer Side Panel (Left)	1
H Drawer Side Panel (Right)	1
I Drawer Back Panel	1
J Drawer Bottom Panel	1

Scan me!

Free Lifetime
Guarantee



The goods



IMPORTANT

1. Do not tighten bolts / screws completely until all bolts / screws are lined up and inserted into holes.
2. Do not over tighten screws and bolts to avoid stripping.
3. Please use hand tools to assemble this product. Do not use power tools.

What's included

Description	Qty
1 M6 x 35mm Cam Bolt	18
2 15 x10mm Cam Lock (Extra 1pc)	19
3 M6 x 30mm Dowel (Extra 1pc)	11
4 Left Side Panel Slider (CL)	1
4 Right Side Panel Slider (CR)	1
4 Left Side Drawer Slider (DL)	1
4 Right Side Drawer Slider (DR)	1
5 M3.5 x 14mm Screw (Extra 1pc)	17
6 M4 x 38mm Screw	4
7 M4 x 22mm Bolt	2
8 Handle	1
9 Angle Bracket	2
10 Leveler (Extra)	2

1



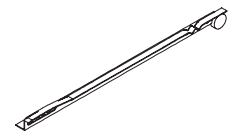
2



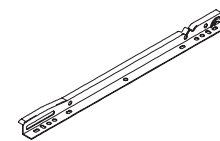
3



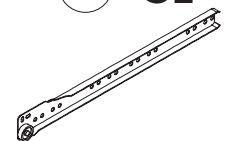
4 DL



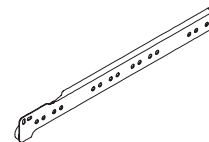
4 DR



4 CL



4 CR



5



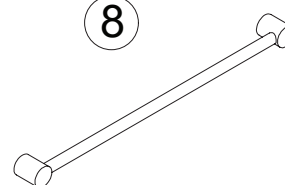
6



7



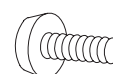
8



9

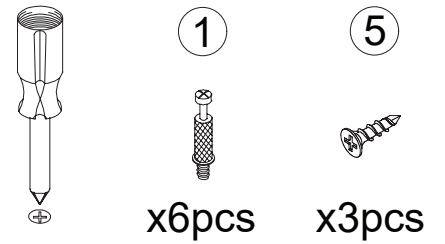


10

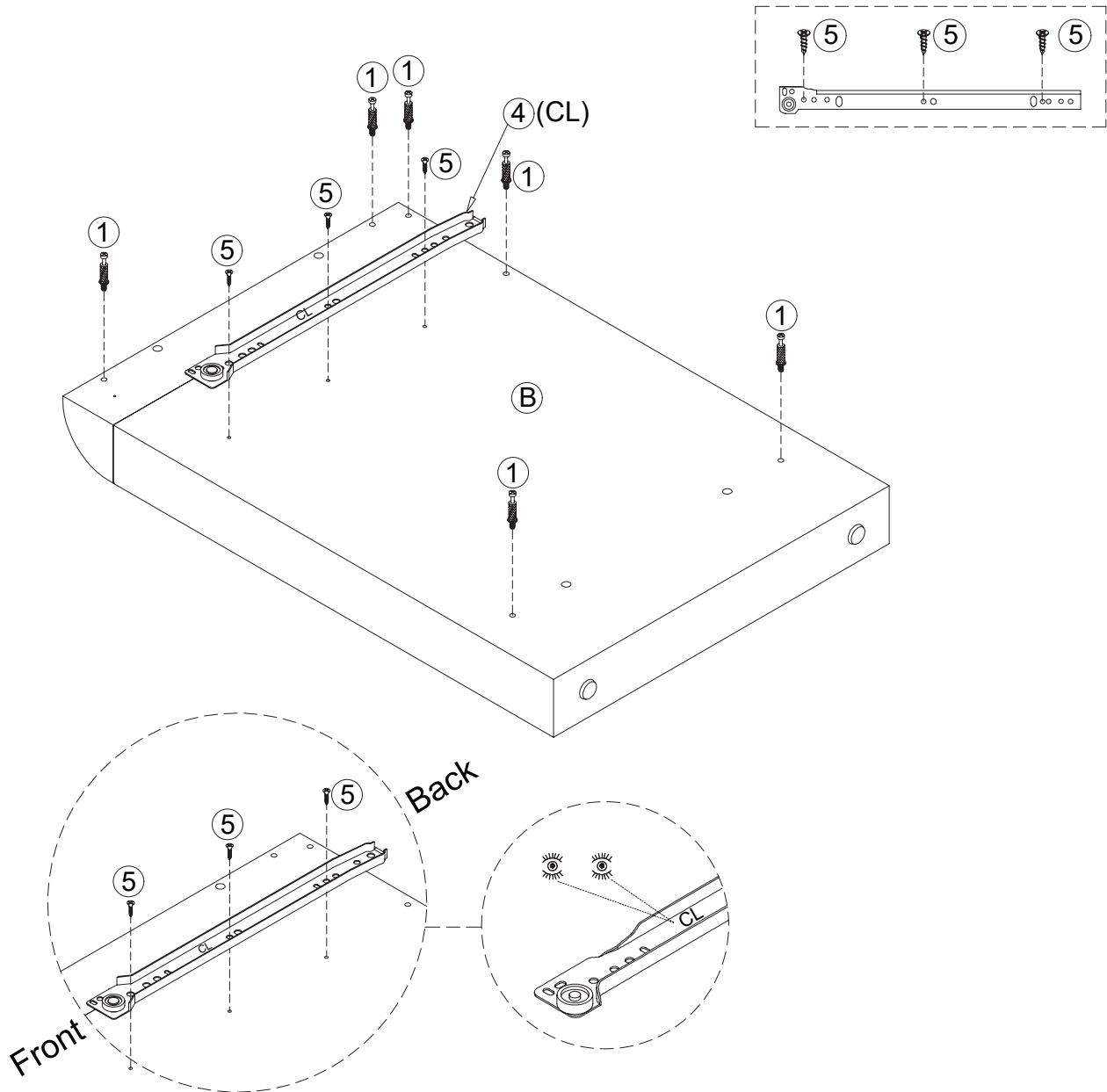


Step 1

Your highly anticipated nightstand has finally arrived, and it's time to get started! Lay out the Side Panel Left (B). Next, insert the Cam Bolts (1) into their corresponding holes.



Then, attach the Left Side Panel Slide (CL) (4) to the Left Side Panel (B) using the M3.5 x 14mm Screws (5).



Step 2

Your highly anticipated nightstand has finally arrived, and it's time to get started! Lay out the Right Side Panel (C). Next, insert the Cam Bolts (1) into their corresponding holes.



1



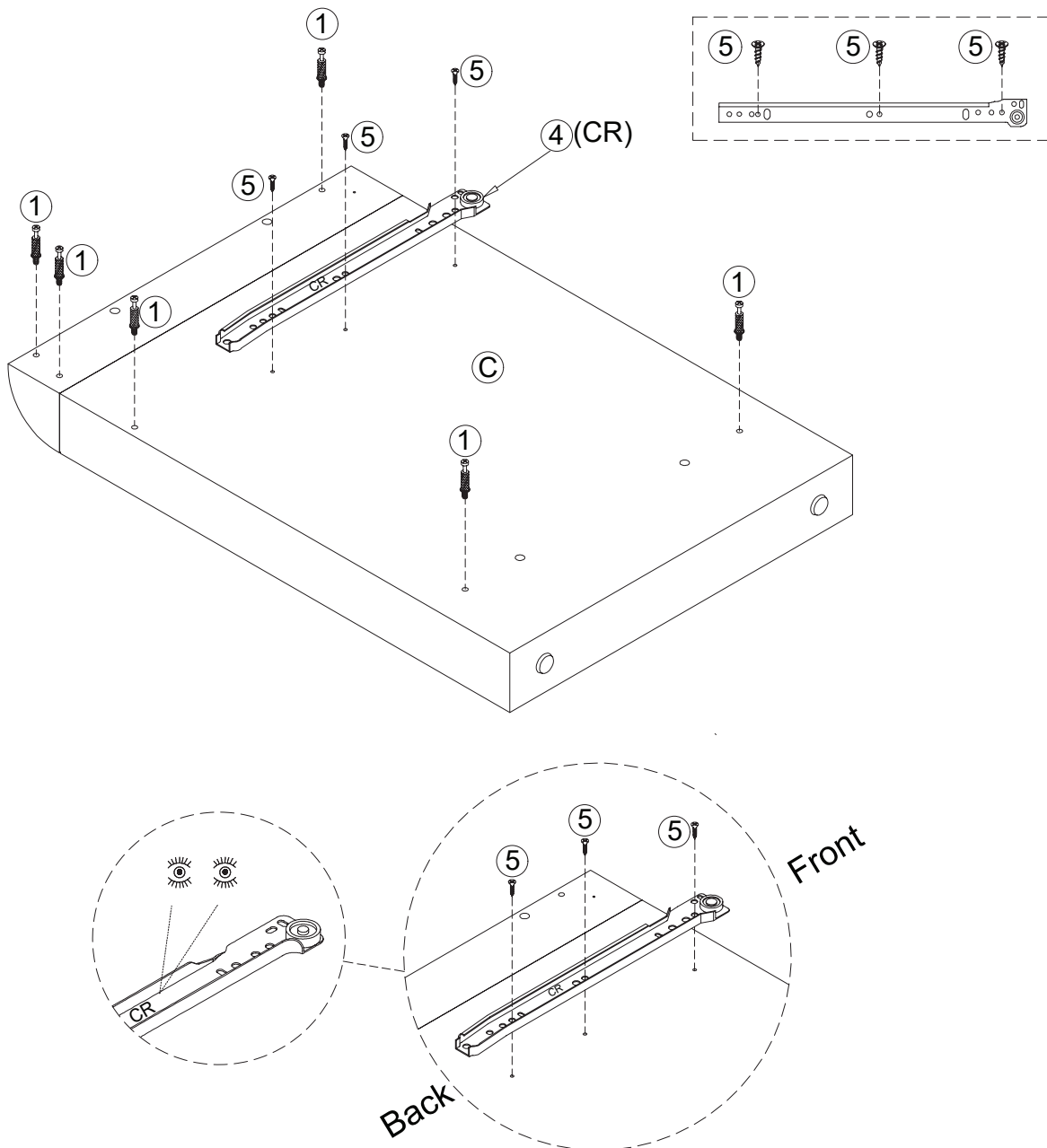
x6pcs

5



x3pcs

Then, attach the Left Side Panel Slide (CR) (4) to the Right Side Panel (C) using the M3.5 x 14mm Screws (5).



Step 3

Attach the Left Drawer Side Panel (G) & Right Drawer Side Panel (H) to the Drawer Back Panel (I) using the M4 x 38mm Screws (6).

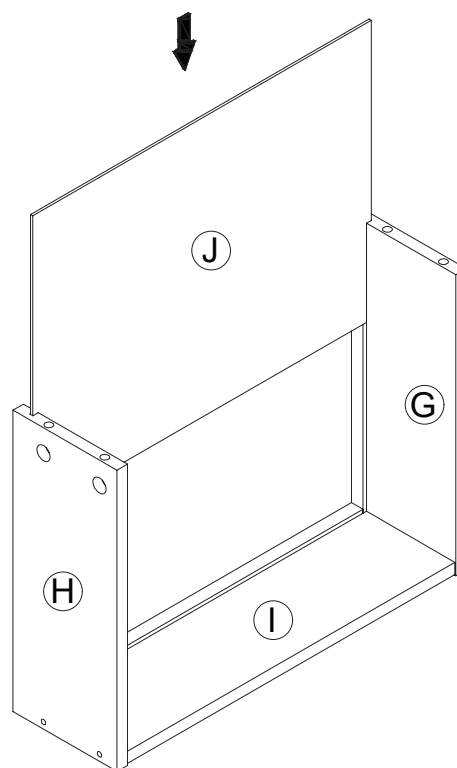
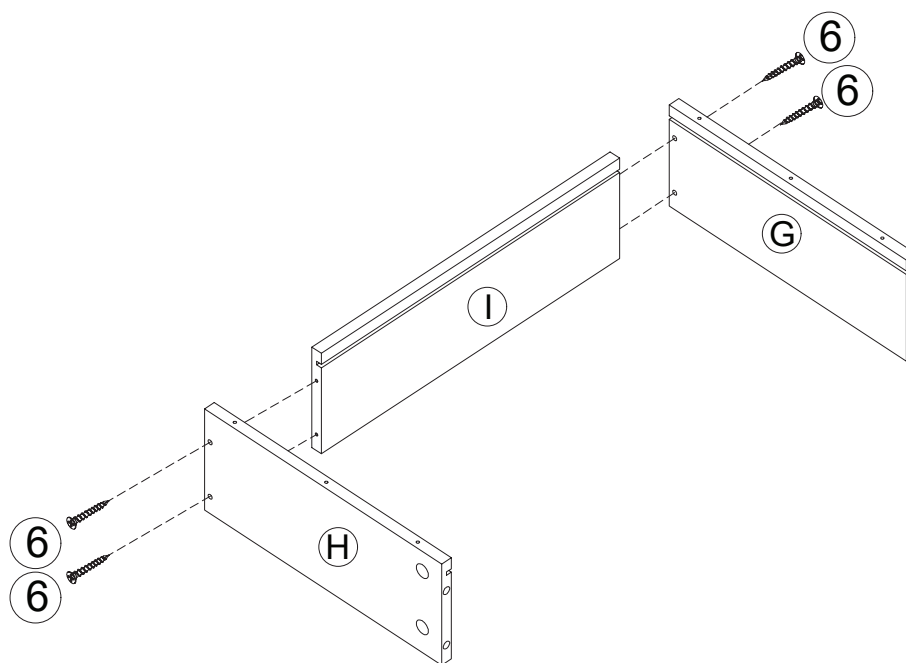
Then, slide the Drawer Bottom Panel (J) into place



6

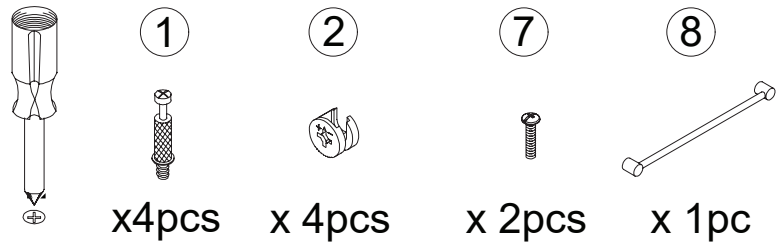


x 4pcs



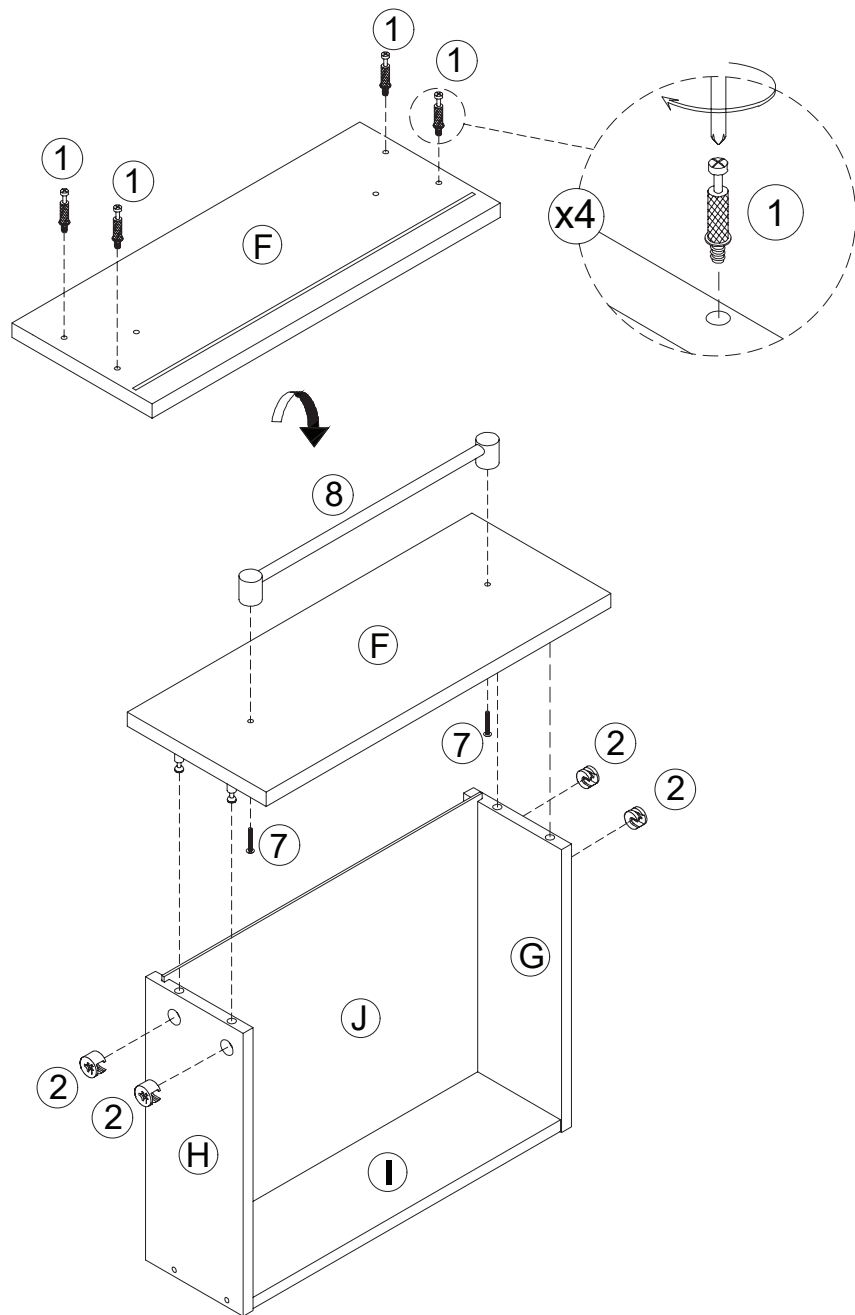
Step 4

Now, time for the Drawer Front Panel.



First, insert the Cam Bolts (1) into the corresponding holes on the Drawer Front Panel (F). Then secure it in place using Camlocks (2).

Next, secure the Handle (8) in place using M4 x 22mm Bolts (7).



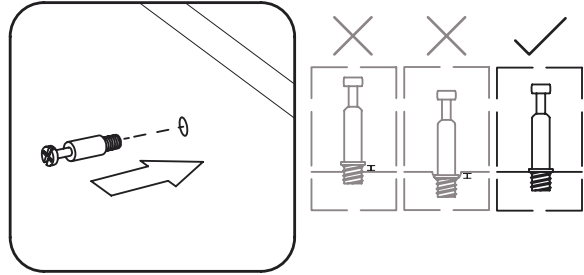
How to use cam locks

Did you know?

Cam locks are used to join two panels together, usually the edge of one to the flat side of another.

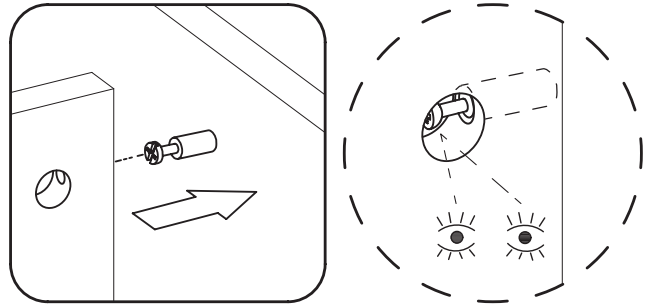
First, your cam bolt (or cam pin) will need to be properly inserted into the flat side of the board.

Important Note: Only tighten the cam bolt until it is secure. Do not over-tighten.



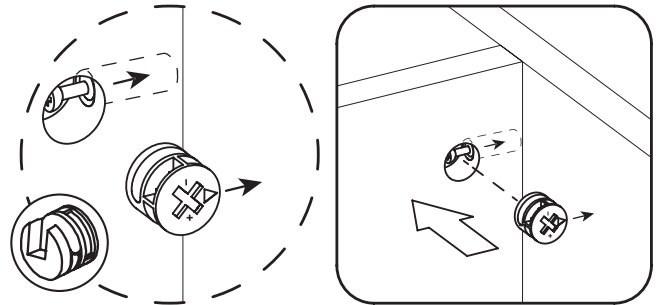
Next, you will fit the proper hole on the edge of the associated joining panel over the cam bolt.

Important Note: When installed properly, the head of the cam bolt will be visible through the larger hole on the side of the joining panel.



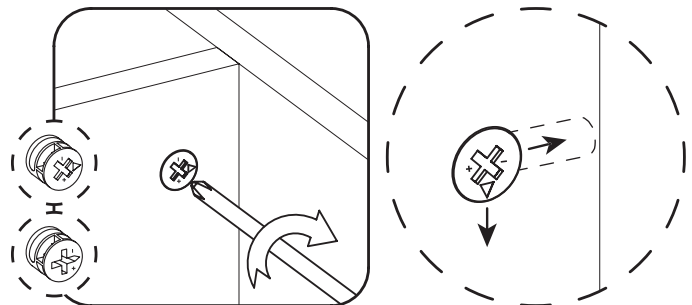
Next, you will notice the cam lock has a “C” shaped back. Commonly, an arrow on the front of the cam lock points in the same direction as the open section on back.

Using these as your cue, insert the cam lock into the large hole so the opening of the “C” fits over the head of the cam bolt.



Using a screwdriver, you will turn the cam lock until it stops, usually at 90° or 180°. You will feel the panels pulling closer until they are secured.

Important Note: Only turn the cam lock until the panels are fully engaged & feel secure. Turning too far may lead to hardware failure.



Still having issues?

If a cam lock seems to be spinning in place or is not “catching” or pulling the panels together as expected, first remove the cam lock & try again while making sure that everything is properly positioned & oriented.

If you are still having issues getting things working as expected, first remove the cam lock then unscrew the cam bolt slightly (less than 1 complete turn) to see if that helps with the alignment of the cam lock & bolt.

Step 5

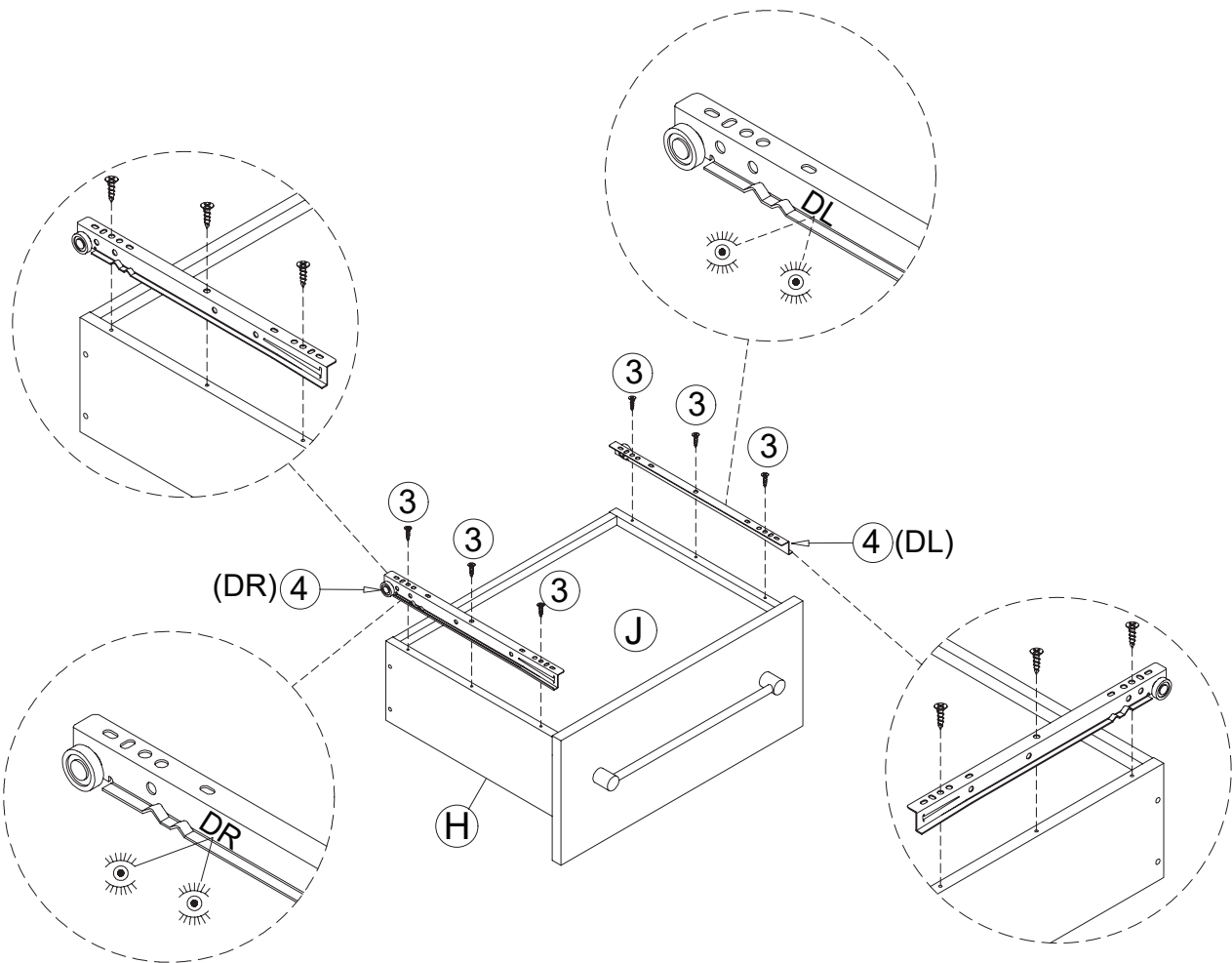
Time to make sure that drawer slides oh so smooth. Attach the Left (DL) (4) and Right Side Drawer Sliders (DR) (4) to the bottom of the drawer using M3.5 x 14 mm Screws (3). Make sure you attach them to the correct sides!



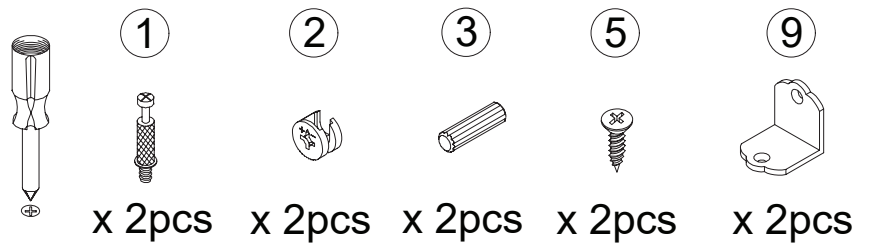
3



x 6pcs



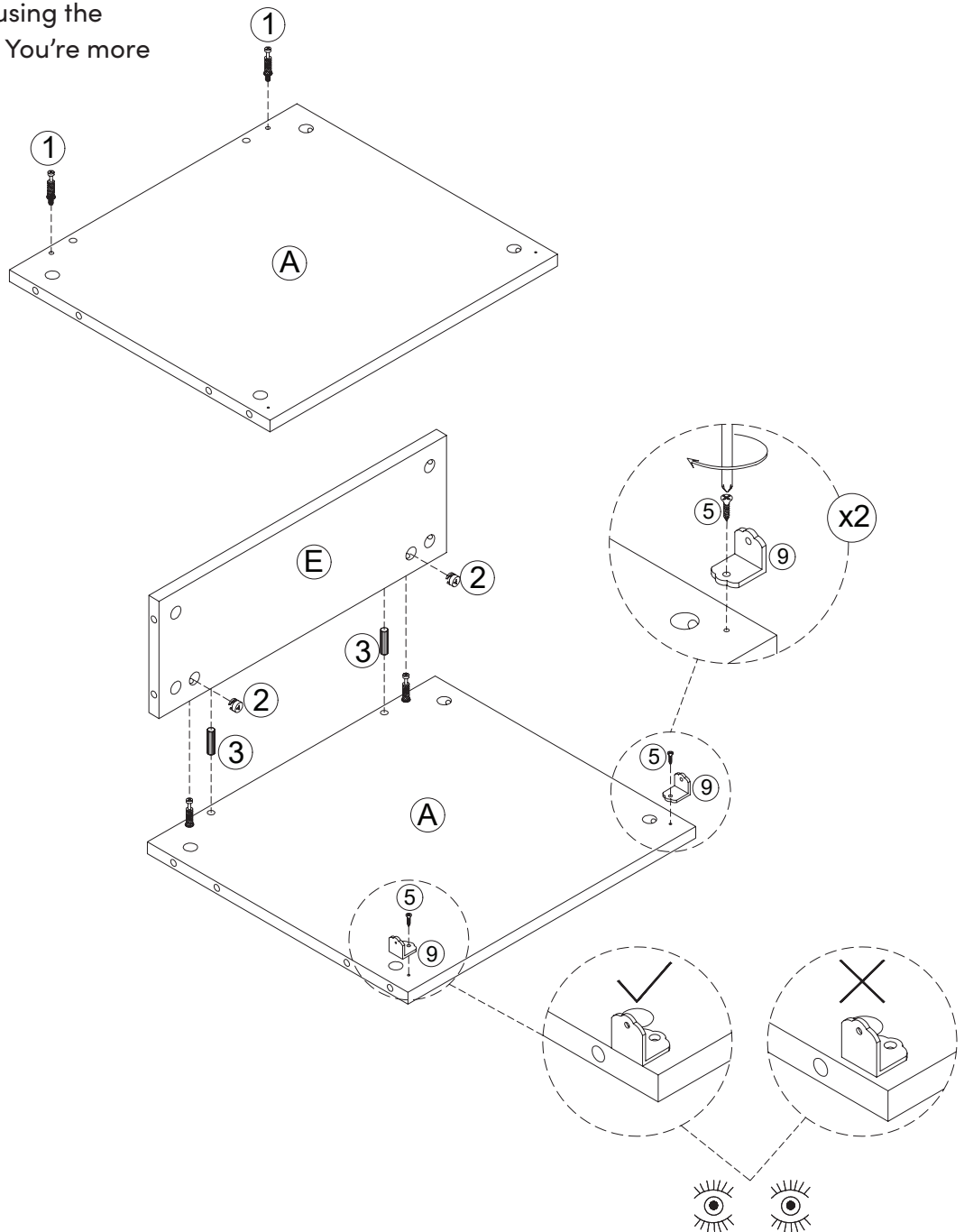
Step 6



Now, insert the Cam Bolts (1) into the corresponding holes on the Top Panel (A).

Next, insert the Wooden Dowels (3) into the Top Panel (A), Then attach it to the Back Panel (E) Camlocks (2).

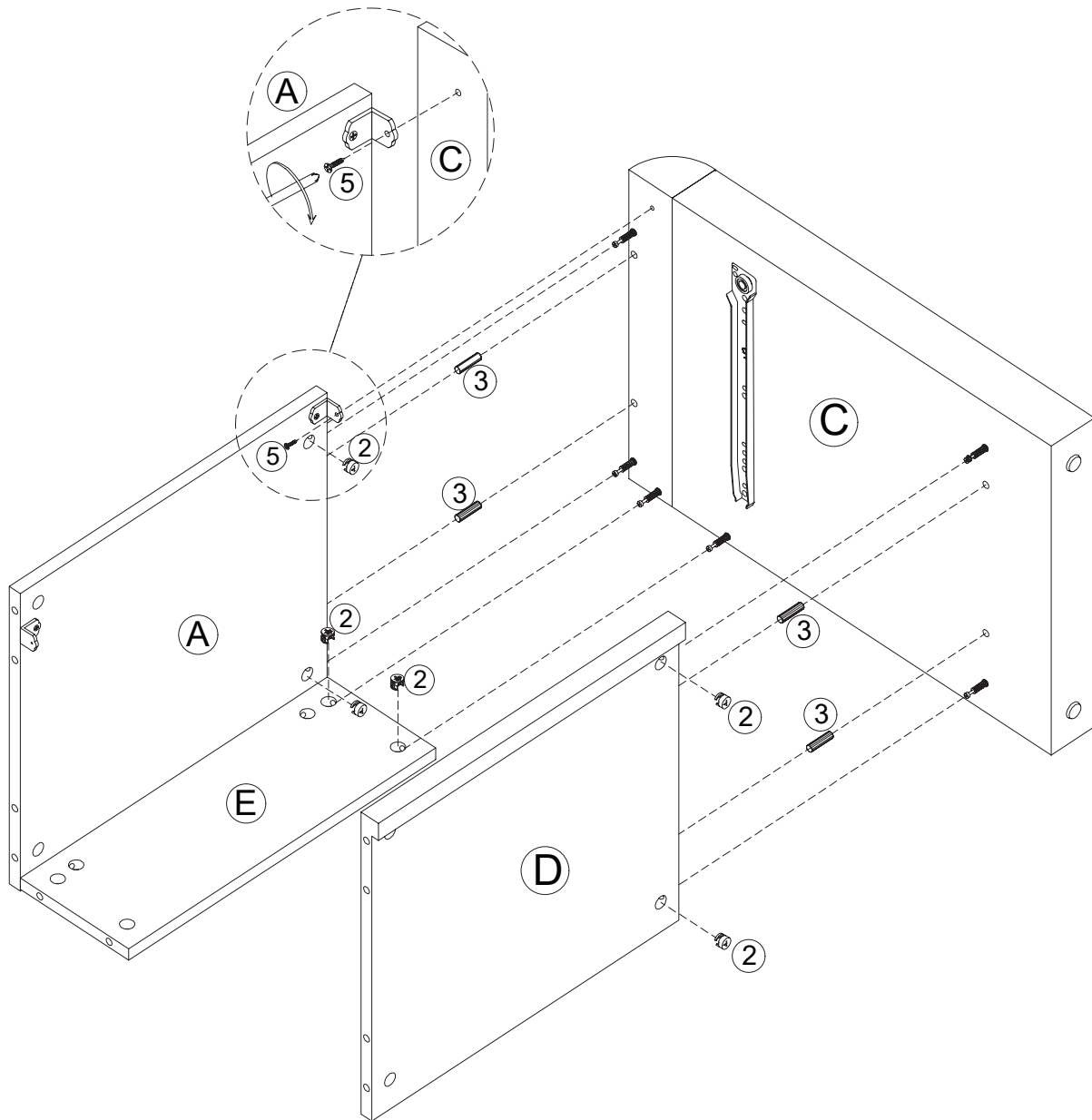
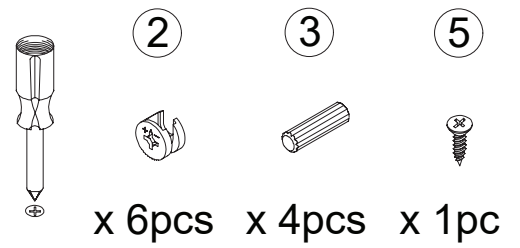
Take the Angle Bracket and attach it to the pre-marked hole on the Top Panel (A), then secure it using the M3.5 x 14mm Screws (5). You're more than halfway there!



Step 7

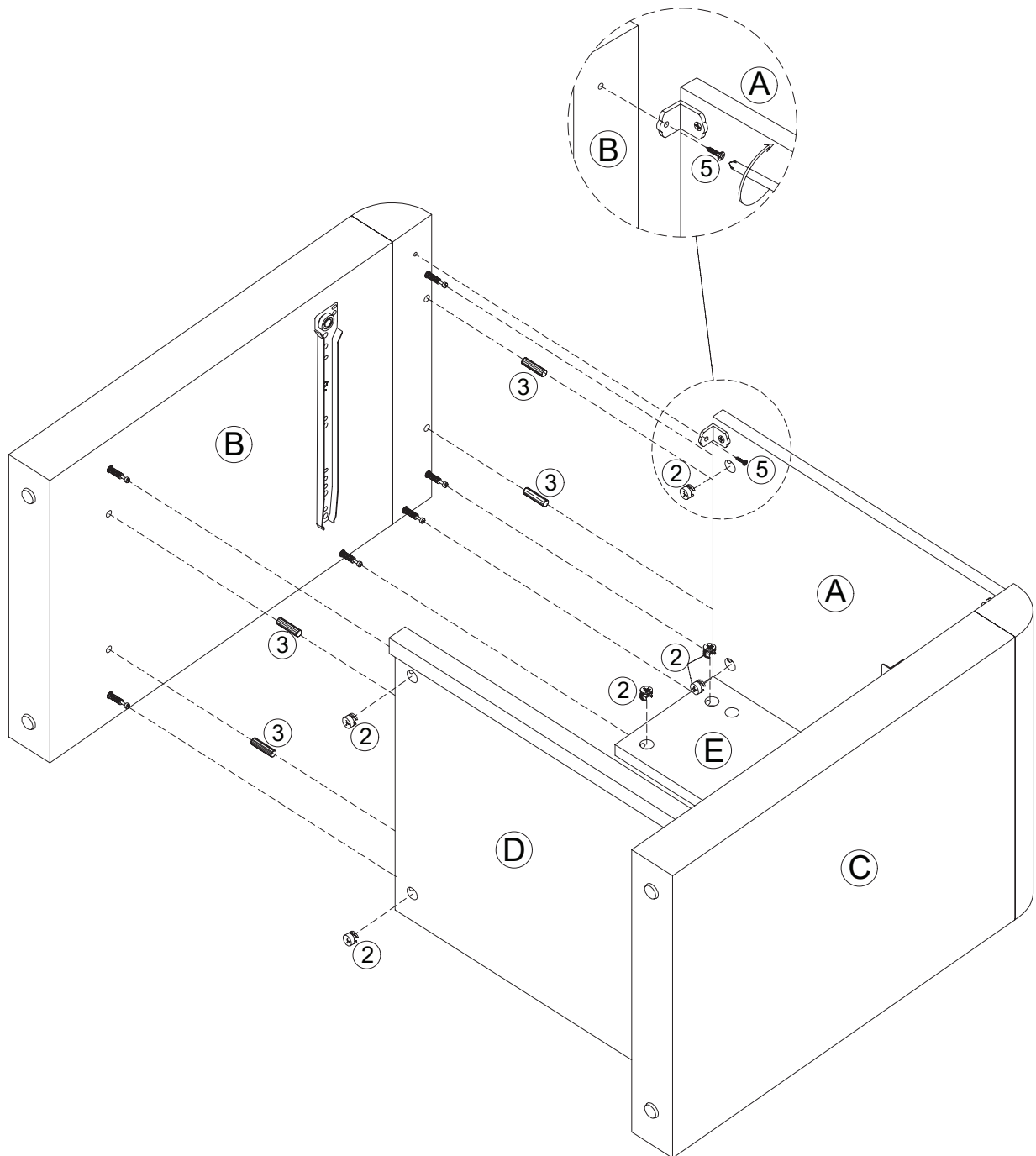
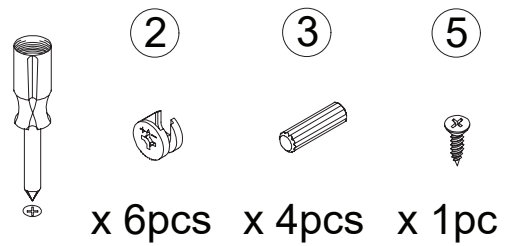
Next, insert the Wooden Dowels (3) into the Right Side Panel (C), then attach it to the Top Panel (A), Back Panel (E), and Shelf Panel (D) using the Cam Locks (2).

After that, secure the Angle Bracket using the M3.5 x 14mm Screws (5).



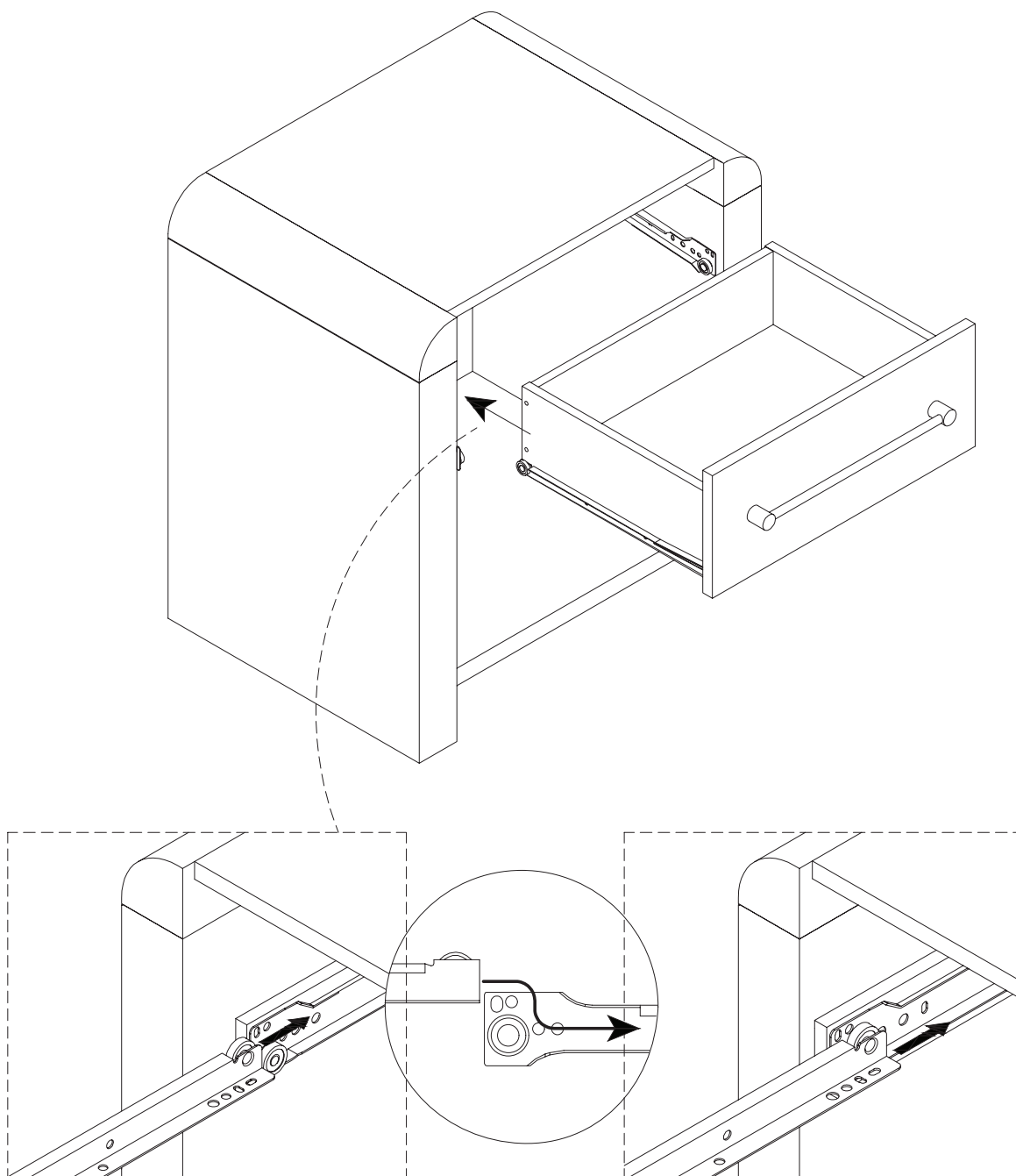
Step 8

Insert the Wooden Dowels (3) into the Left Side Panel (B), then attach it to the Top Panel (A), Back Panel (E), and Shelf Panel (D) using the Cam Locks (2). After that, secure the Angle Bracket using the M3.5 x 14mm Screws (5).



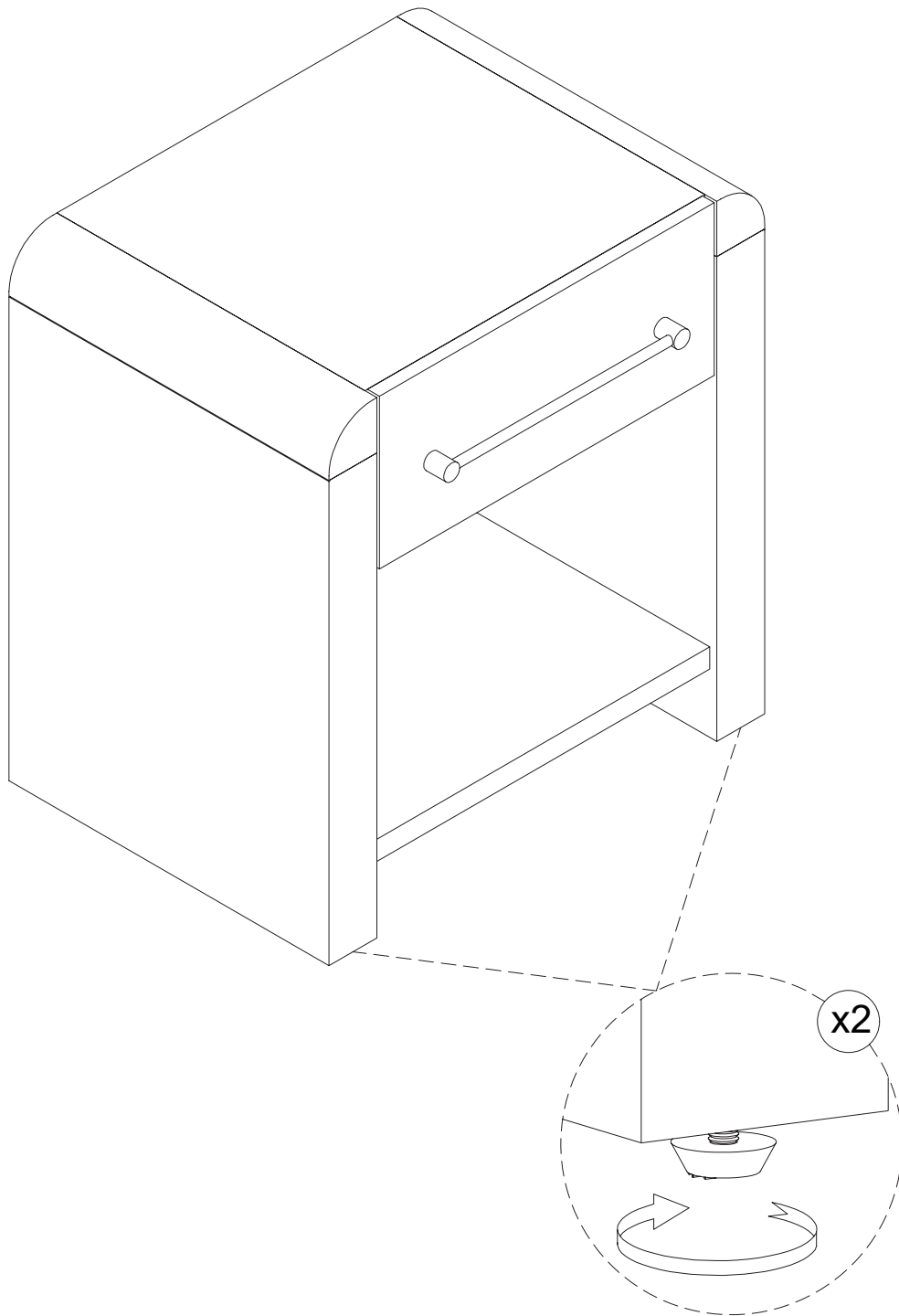
Step 9

Finally, slide the drawer into place on your nightstand. Congratulations, you did it! Now, have fun decorating it to match your dream style. Enjoy your beautiful new nightstand!



Step 10

Time for the finishing details!



Wobbly or unlevel?
Adjust feet until stable!

No heartburn, when we handle the return

Give us a call **1-866-619-1004** or shoot us a message at **help@nathanjames.com** we will issue you a free replacement with **zero hassle**.

Our way



Give us a call



Replacement



You

Their way



Re-package item



Schedule pick up



Track package



Replacement



You

We really don't want you to go through the hassle of re-packaging your item and sending it back, because let's be honest...nobody has time for that.

Safety first, fun later

We want your product to last as long as possible, so we recommend that you tighten the screws 2 weeks after assembly and for added safety check the tightness of all screws every 2 months.

For proper care and treatment, please check our website at NathanJames.com/products

Safe use of this product starts with you.

Use this product responsibly with the primary concern for your safety. Follow assembly instructions carefully and inspect product upon receipt and each use.

Nathan James and its parent companies cannot be held legally responsible for any injuries or death resulted from failure to follow instructions or improper use of this product.

Do not modify the structure of this product in any way.

Our products have been tested to meet specific safety measures as they were originally intended to be sold. Any modifications will present the risk of creating significant safety issues which NJ will not be responsible for.

Proper use

- DO NOT** use for commercial purposes
- DO NOT** frolic on nightstand
- DO NOT** use nightstand as foot stool
- DO NOT** leave spilled liquid on nightstand
- DO NOT** use nightstand if damaged
- DO NOT** make temporary repairs
- DO NOT** use outdoors

We are only in business if you're happy

For starters, thanks for being you.

☎ Toll-free at 1-866-619-1004

✉ Help@nathanjames.com

🌐 Nathanjames.com/help

We do our best to ensure your furniture arrives without any problems, but occasionally mistakes happen—as humans we are imperfect beings. In the event that a part is damaged or missing, we will be more than happy to provide you with replacement part(s) for free.

Lifetime Guarantee

We believe in making things that last. That's why every product is backed by our Lifetime Guarantee. No hidden clauses. No runaround. If it breaks, we'll replace it—plain and simple. This isn't just a promise—it's our commitment to quality, and to you.

This product comes with a Lifetime Guarantee from the date of purchase. Please use your phone to scan the QR code on the cover of this booklet to register your product or visit <https://goo.gl/i9dk3q>



Did we do alright? Please spread the love!

If you are happy with your product, tell your friends and family about us or even better leave us a review online. Spreading the word gives us the opportunity to make more people happy and keep our prices low for your next purchase.

Brooke Burdon

Founder, Nathan James