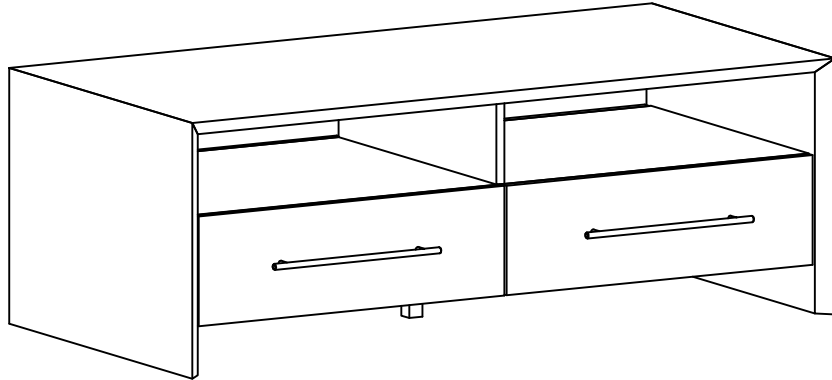


Installation & Assembly



TOOLS REQUIRED



Screwdriver
(Not included)



(Included)
Allen Wrench



2 - People

ASSEMBLY RATING



EASY —————> DIFFICULT

The Assembly Rating is a 5-point system showing the level of effort needed to assemble a specific product.



CHECK BEFORE STARTING

Are you missing anything?

Double-check all parts, hardware and accessories listed on Page 6 are accounted for.

Check out our Quick Tips!

We recommend reviewing the pre-assembly handouts. Even experts need a refresher now and then!

Should we send any replacements?

Are there any irregularities or flaws in the parts? We can send replacements!

Prep Time!

Please review the assembly instructions and all diagrams prior to assembling. Arrange parts as recommended on Page 7 and group identical hardware together to make assembling easier.

PRE ASSEMBLY INTRODUCTION

We understand building ready-to-assemble furniture can be a challenging experience for some. To help avoid confusion, we have provided some helpful tips that may speed up the process.



Teamwork

ALWAYS have at least two people to help with transporting and assembling the product to avoid potential injury and/or damage.



Suitable Location

Assembling near the area of the intended location is highly recommended.



Sufficient Space

Make sure you have enough space to move around during the assembly.



Avoid Scratches

Use cardboard, blankets or a carpeted area while assembling furniture to prevent to prevent scratches and damages.



Flat Surface

Make sure the furniture rests on a flat and level surface with each leg evenly touching the floor.

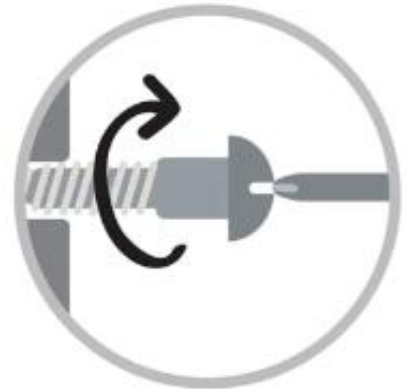
ASSEMBLY AND CARE ADVICE



FAILURE TO FOLLOW THE GUIDELINES BELOW MAY RESULT IN INJURY AND/OR PROPERTY DAMAGE.



Position each part correctly and insert screws or bolts into their respective holes.



Turn clockwise to tighten and only tighten when step is completed or when instructed to do so.



Use the appropriate hand tools or power tools for assembly. Select steps, such as tightening screws and/or bolts, may require hand tools to avoid causing damage during assembly.



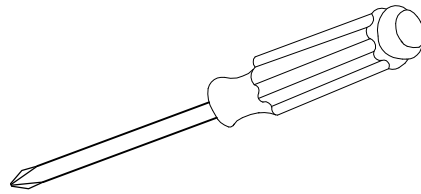
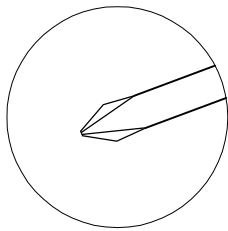
Save the instructions and store any supplied tools for later maintenance.



After two weeks, check and tighten any loose hardware and repeat again every six months thereafter.

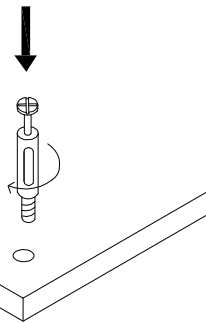
IT IS THE USER'S RESPONSIBILITY TO MAINTAIN THE FURNITURE. THE HARDWARE MAY LOOSEN OVER TIME AND MAY CAUSE THE FURNITURE TO BE WOBBLY AND UNABLE TO SUPPORT ITS INTENDED WEIGHT CAPACITY. THIS MAY LEAD TO COLLAPSE AND MAY CAUSE SERIOUS INJURY.

CAMLOCK FASTENER ASSEMBLY INSTRUCTIONS



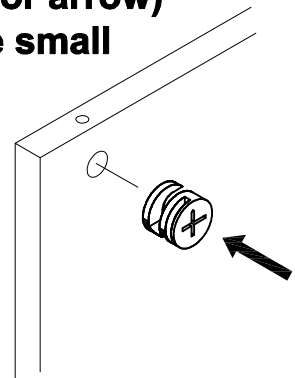
Note: Every cam lock bolt must have a cam lock connector in order to fasten the parts together.

- (1) **Secure the threaded end of the cam bolt by using a screwdriver.**

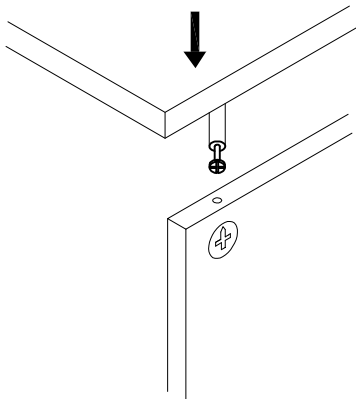


Turn right (clockwise) to tighten.

Align the cam connector with its side opening (or arrow) pointing to the small drilled hole.



(2)

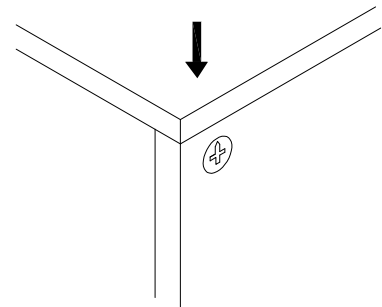


Insert the cam lock bolt into the pre-drilled hole above the cam connector.

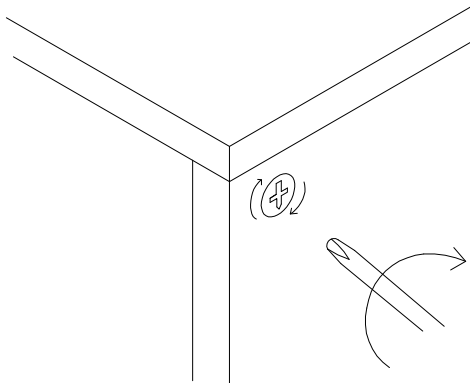


(3)

Two parts should fit snugly against each other.



(4)



Turn right (clockwise) to tighten.

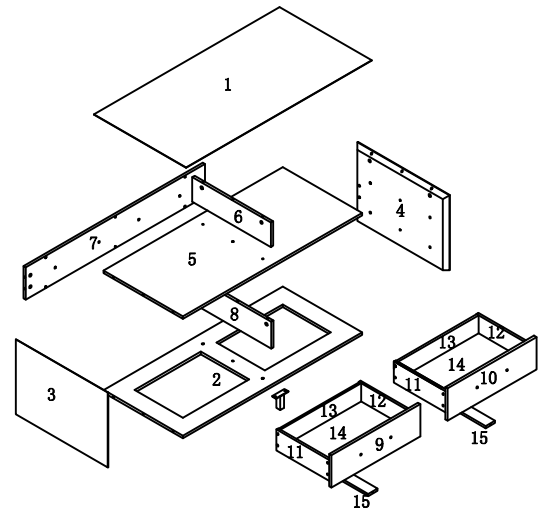
Turn the cam connector with a screwdriver until it will not turn any more with light to moderate force.



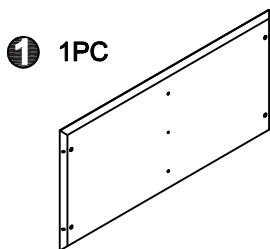
COFFEE TABLE



- Please keep instructions for future reference.
- Check the quantity and irregularity of parts and hardware before you start.

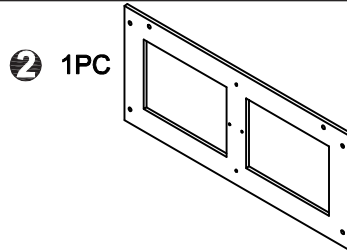


PARTS



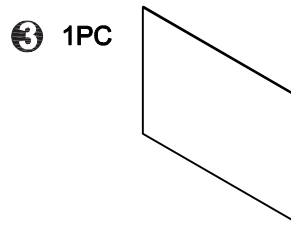
1 1PC

TOP



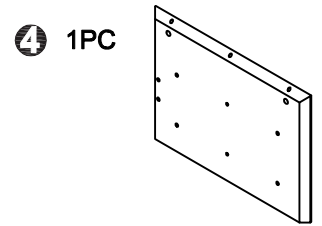
2 1PC

BOTTOM PANEL



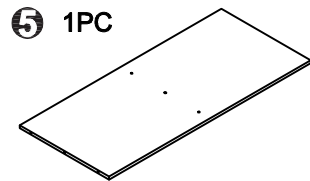
3 1PC

LEFT SIDE PANEL



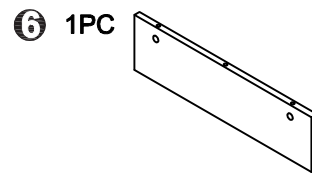
4 1PC

RIGHT SIDE PANEL



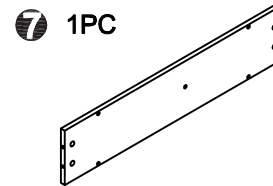
5 1PC

MIDDLE PLATE



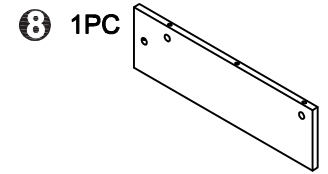
6 1PC

UP MEDIAN PARTITION



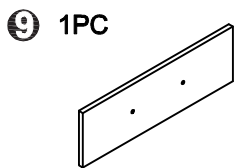
7 1PC

BACK PANEL



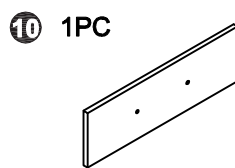
8 1PC

LOWER MEDIAN PARTITIO



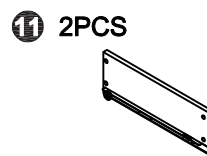
9 1PC

LEFT DRAWER
FRONT PANEL



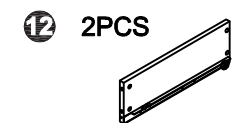
10 1PC

RIGHT DRAWER
FRONT PANEL



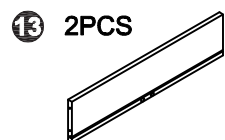
11 2PCS

DRAWER LEFT
SIDE PANEL



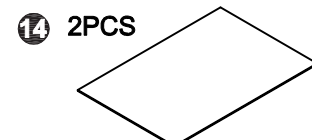
12 2PCS

DRAWER RIGHT
SIDE PANEL



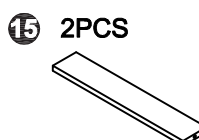
13 2PCS

DRAWER BACK PANEL



14 2PCS

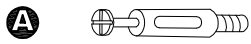
DRAWER
BOTTOM PANEL



15 2PCS

DRAWER
BOTTOM SUPPORT

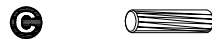
HARDWARE



A
CAMBOLT
L29 21PCS



B
CAMLOCK L
Ø15 29PCS



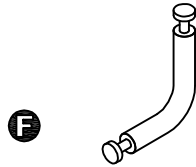
C
DOWEL
Ø8X25 8PCS



D
STICKER
Ø22 10PCS



E
SMALL SCREW
Ø4X35 4PCS



F
DOUBLE SCREW
4SET



G
FLATHEAD SCREW
Ø6X12 2PCS



H
SHACKLES
Ø16 4PCS



I
SMALL CAMBOLT
L20 10PCS



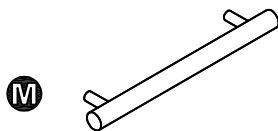
J
SMALL CAMLOCK L
Ø12 10PCS



K
SMALL SCREW
Ø4X30 12PCS



L
SMALL SCREW
Ø4X22 4PCS



M
HANDEL
#192 2PCS



N
STICKER
Ø15 8PCS



O
LEG
L80 1PC

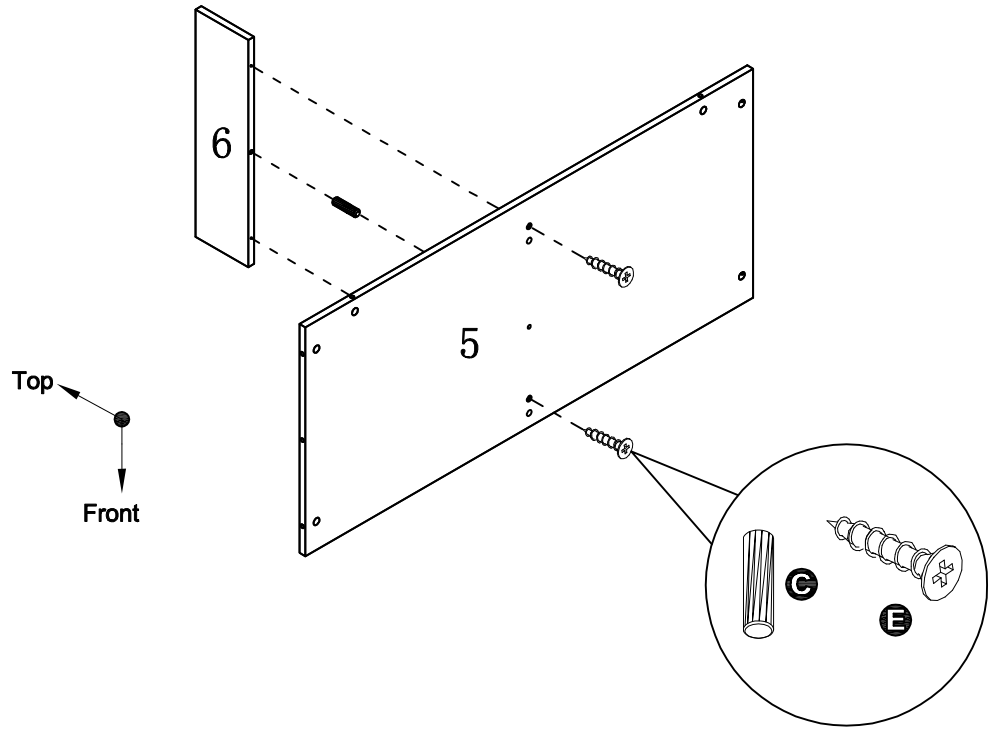


P
MULTIFUNCTIONAL WRENCH
80×25×Ø5 1PC

ASSEMBLY INSTRUCTIONS

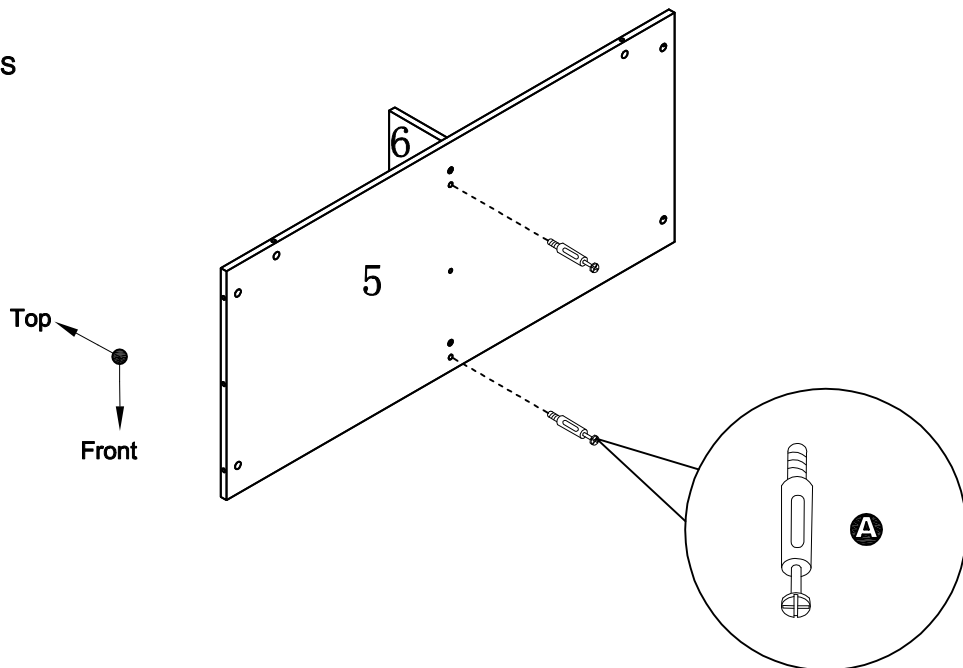
1

HARDWARE **C** X1PC
HARDWARE **E** X 2PCS



2

HARDWARE **A** X 2PCS

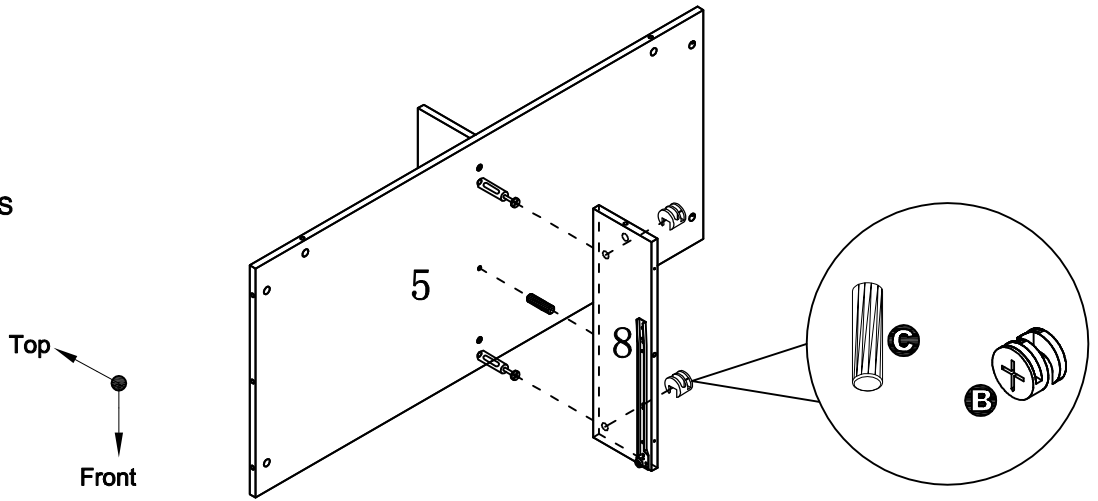


ASSEMBLY INSTRUCTIONS

3

HARDWARE **B** X 2PCS

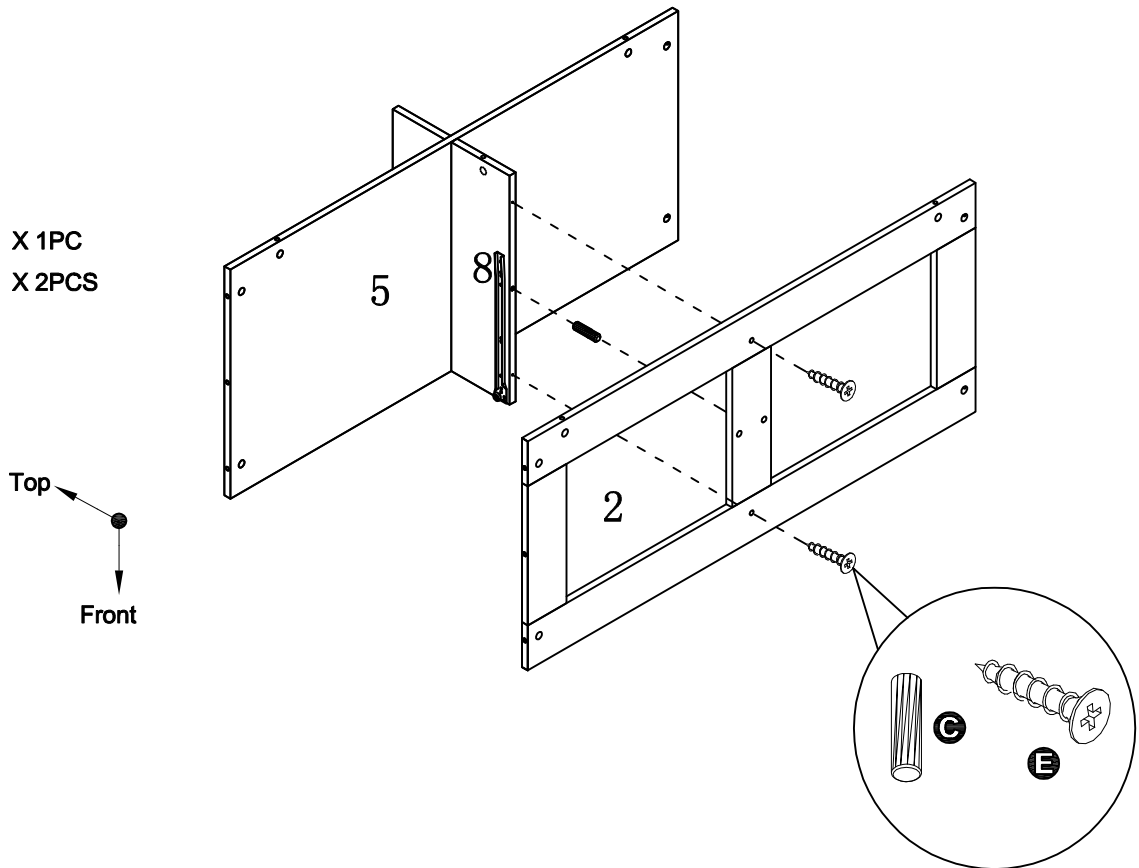
HARDWARE **C** X 1PC



4

HARDWARE **C** X 1PC

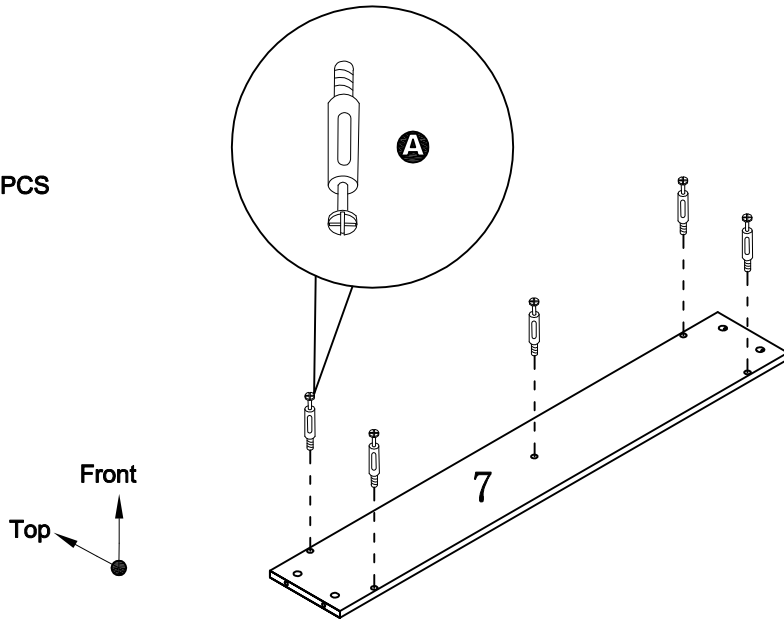
HARDWARE **E** X 2PCS



ASSEMBLY INSTRUCTIONS

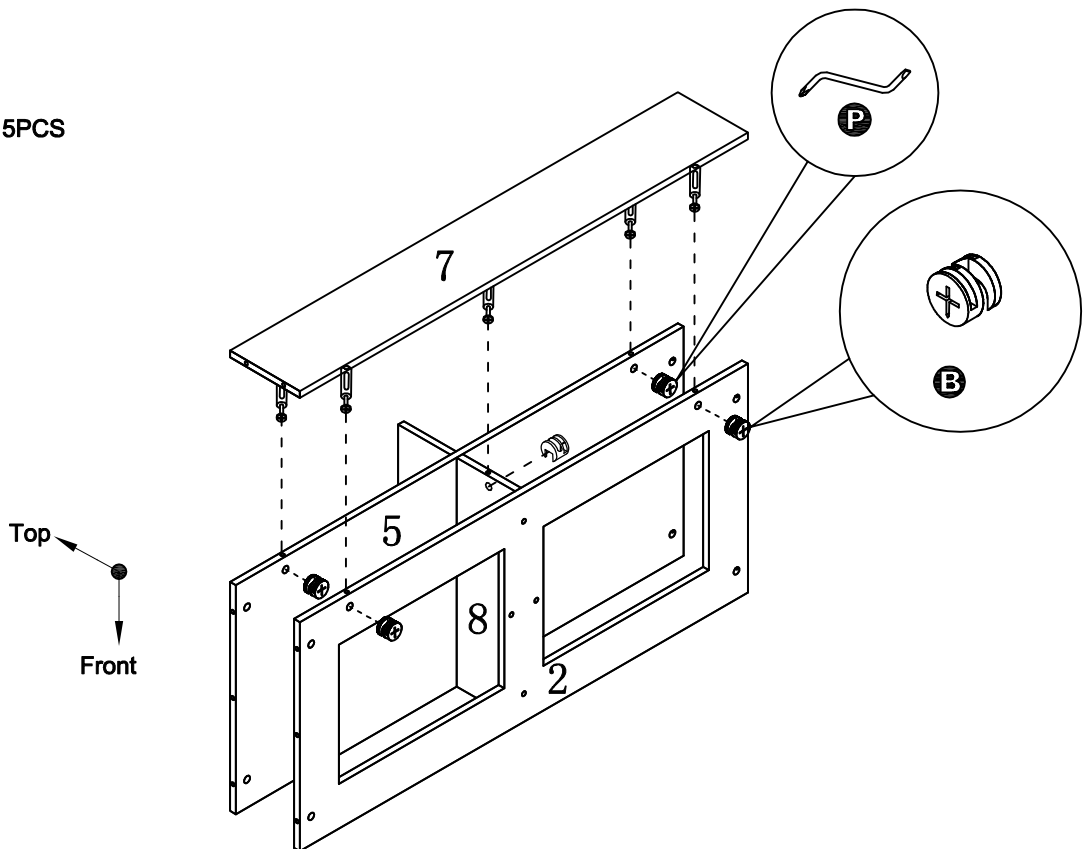
5

HARDWARE **A** X 5PCS



6

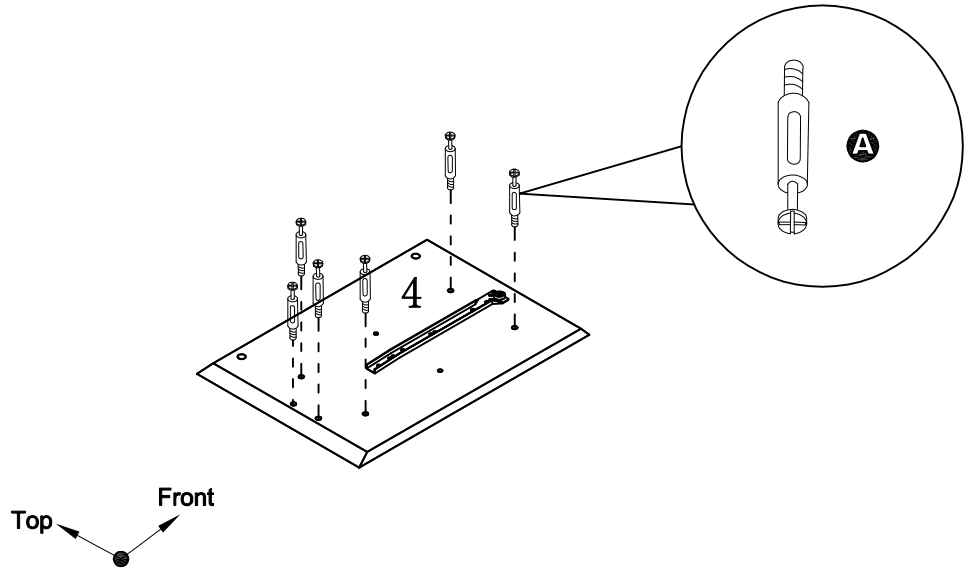
HARDWARE **B** X 5PCS



ASSEMBLY INSTRUCTIONS

7

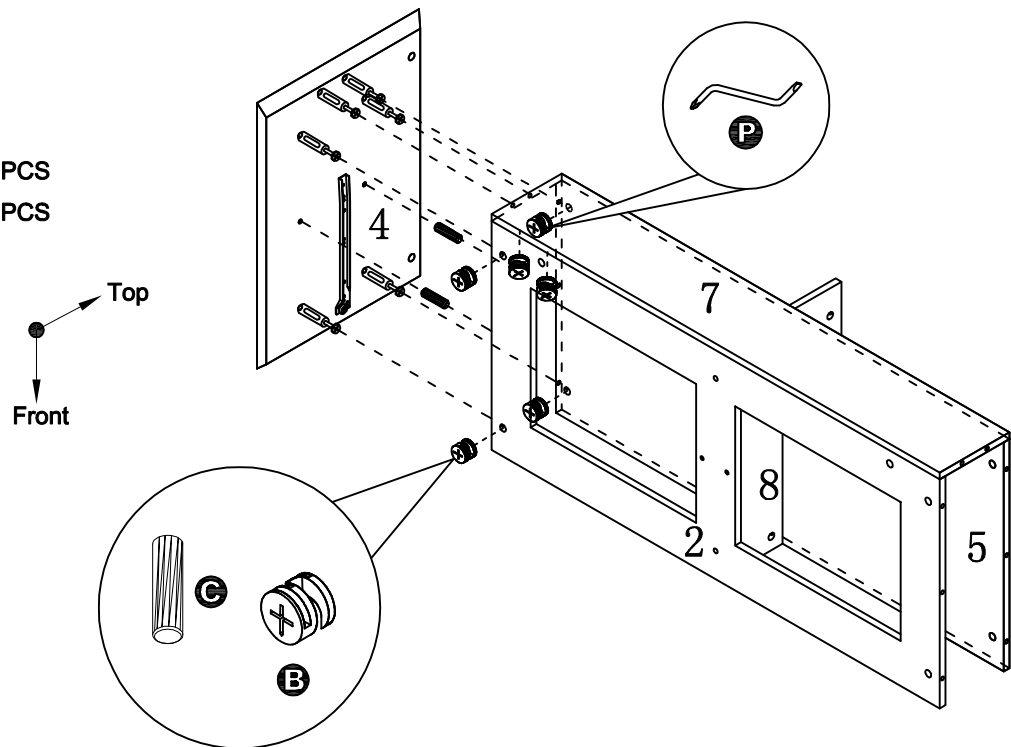
HARDWARE **A** X 6PCS



8

HARDWARE **B** X 6PCS

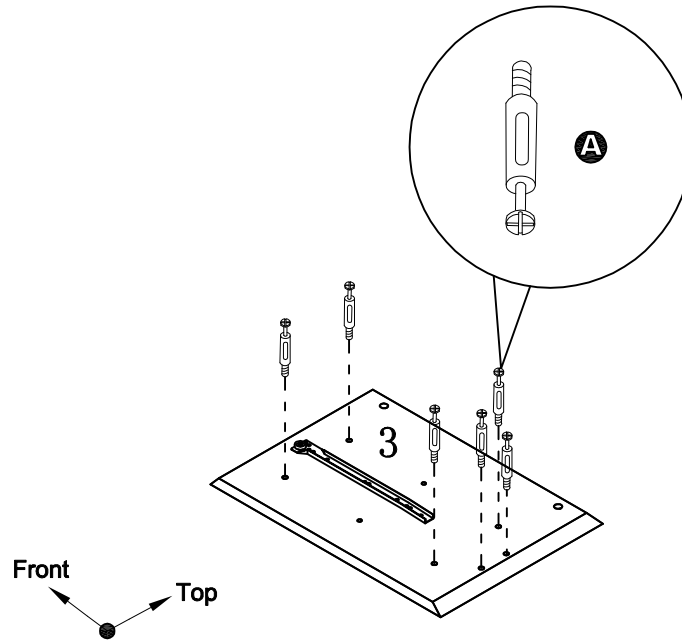
HARDWARE **C** X 2PCS



ASSEMBLY INSTRUCTIONS

9

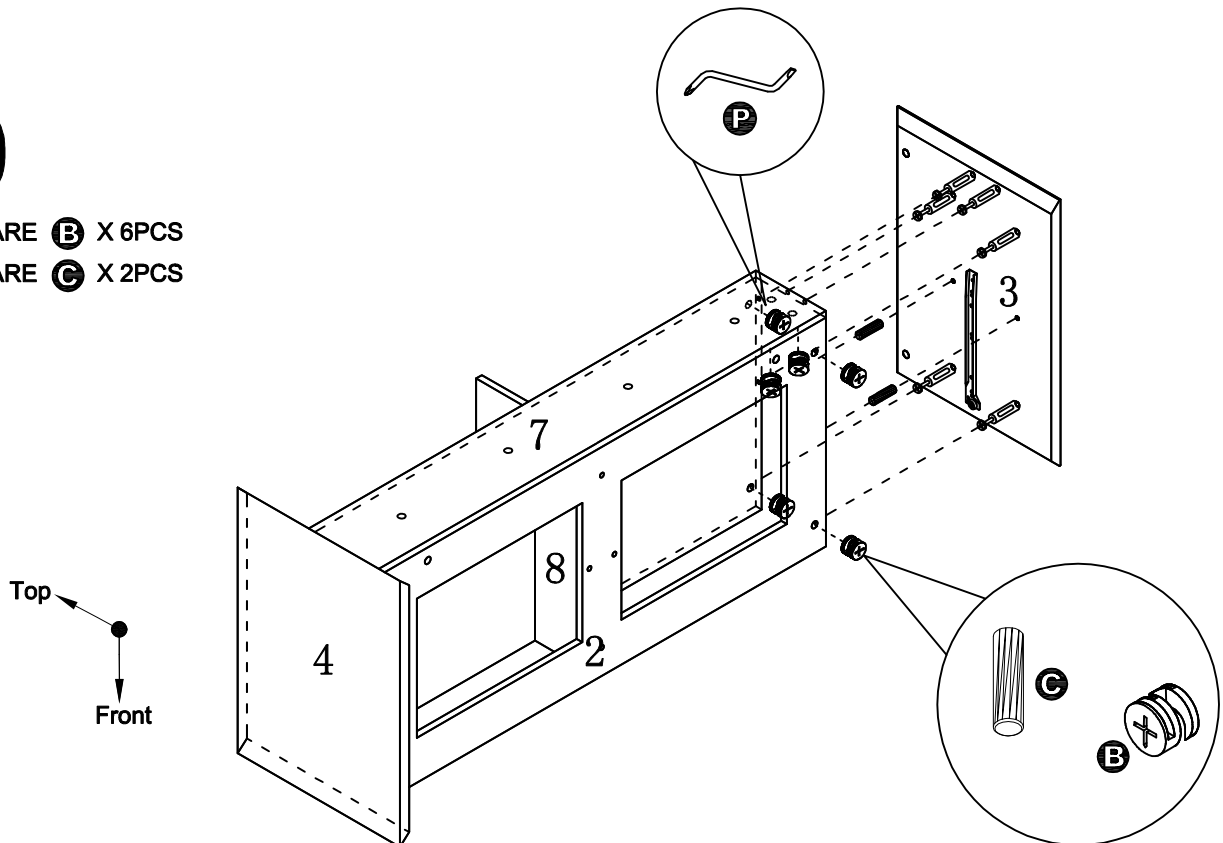
HARDWARE **A** X 6PCS



10

HARDWARE **B** X 6PCS

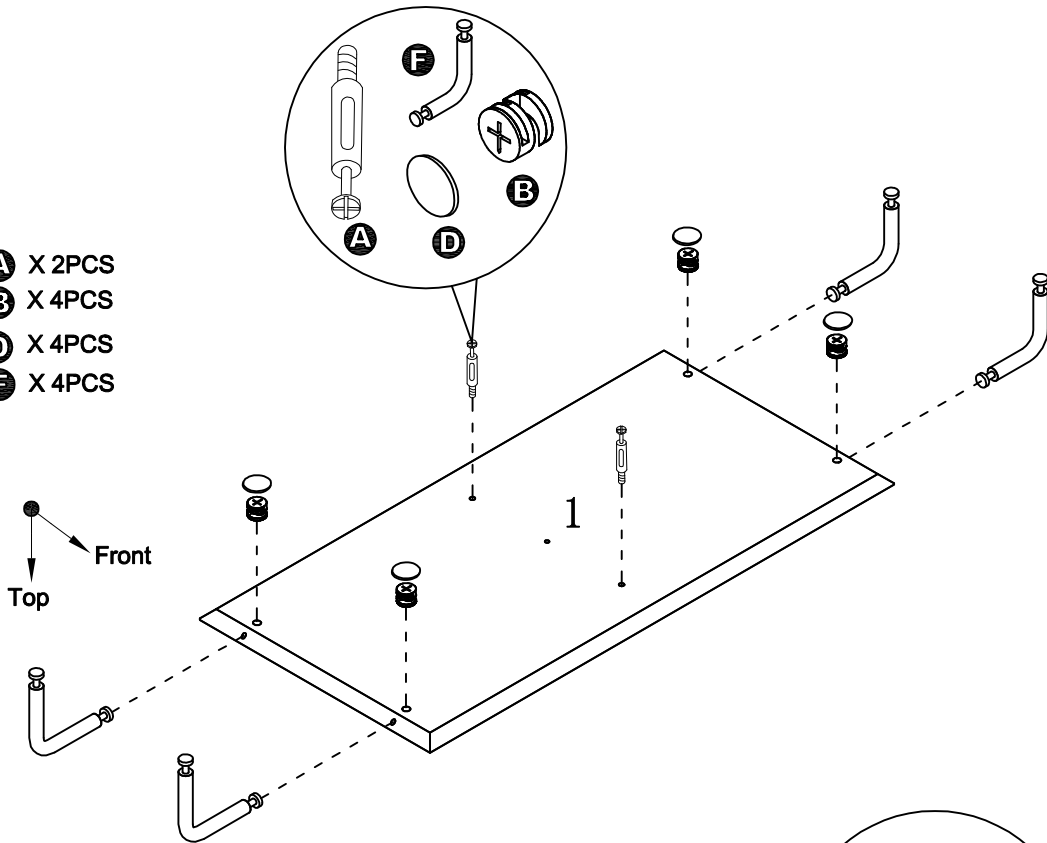
HARDWARE **C** X 2PCS



ASSEMBLY INSTRUCTIONS

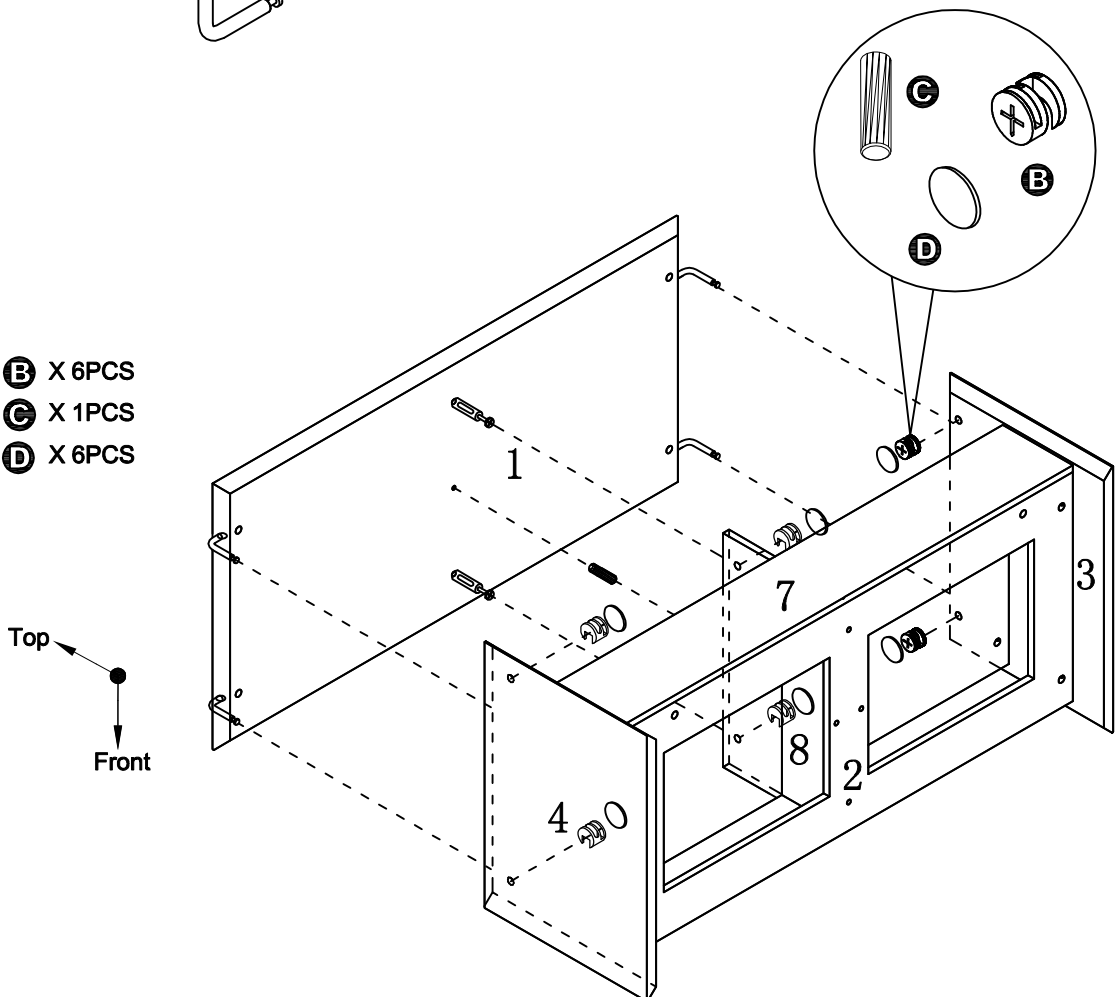
11

- HARDWARE **A** X 2PCS
- HARDWARE **B** X 4PCS
- HARDWARE **D** X 4PCS
- HARDWARE **F** X 4PCS



12

- HARDWARE **B** X 6PCS
- HARDWARE **C** X 1PCS
- HARDWARE **D** X 6PCS



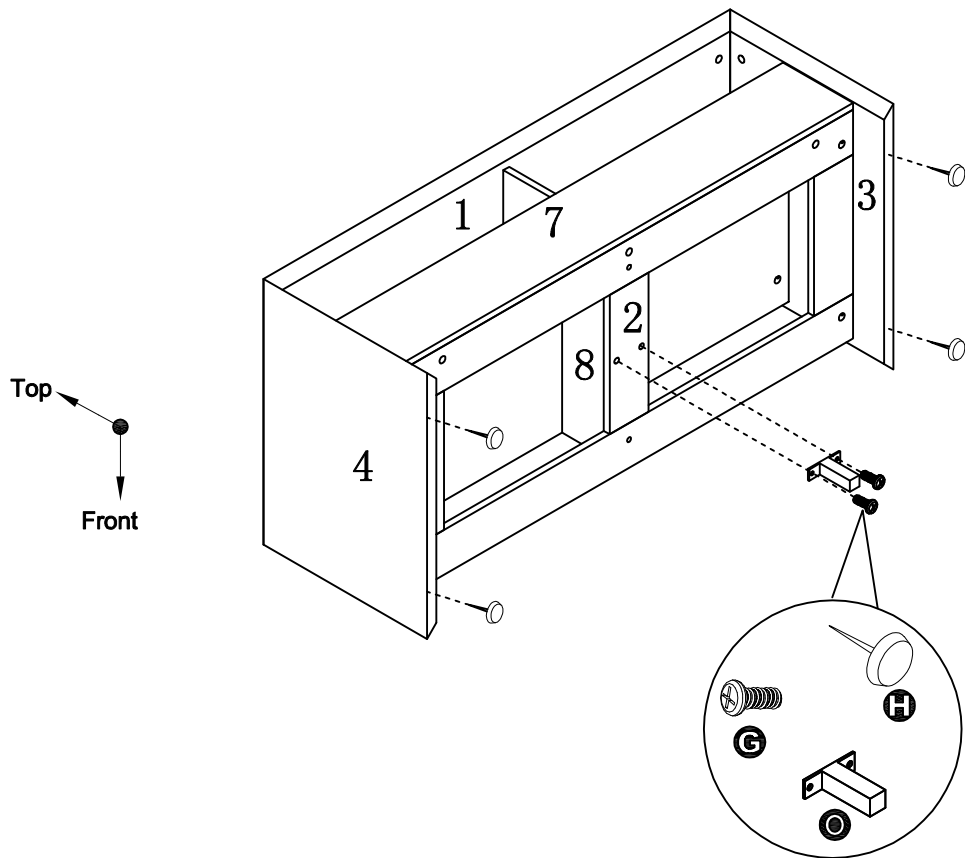
ASSEMBLY INSTRUCTIONS

13

HARDWARE  X 2PCS

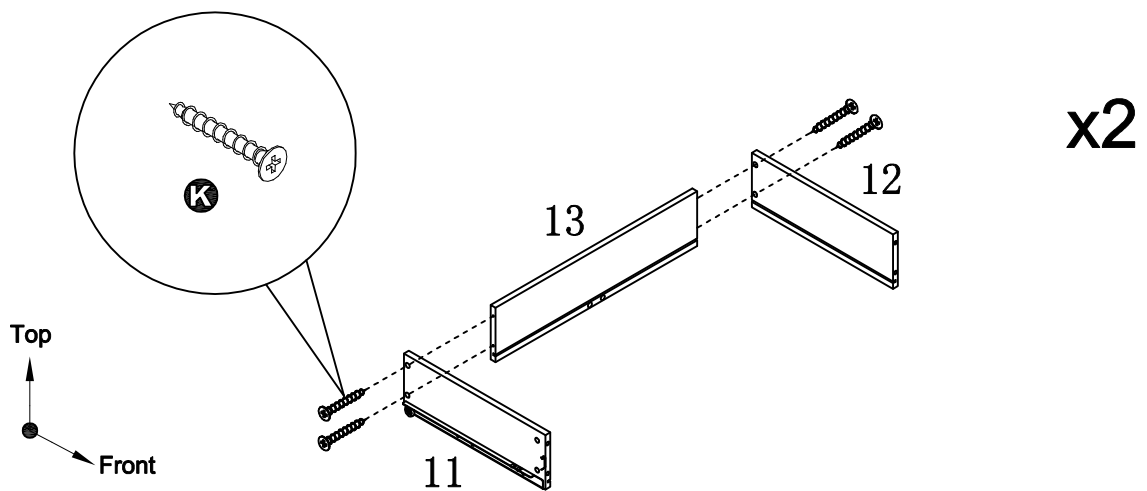
HARDWARE  X 4PCS

HARDWARE  X 1PC



14

HARDWARE  X 8PCS

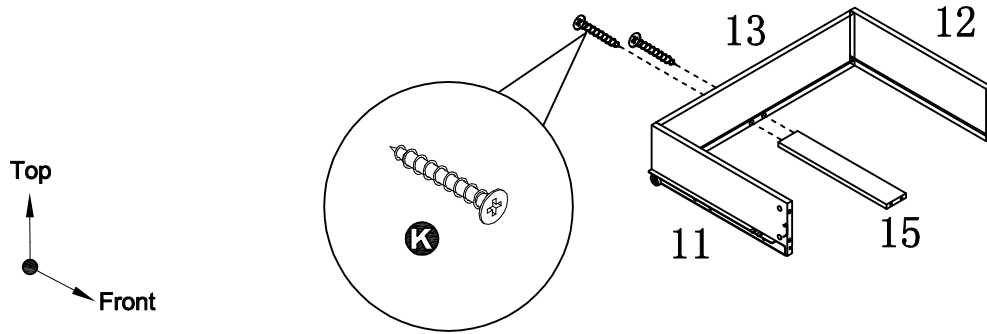


ASSEMBLY INSTRUCTIONS

15

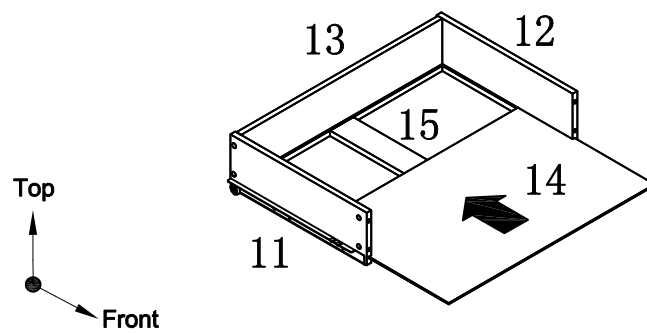
HARDWARE  X 4PCS

x2



16

x2

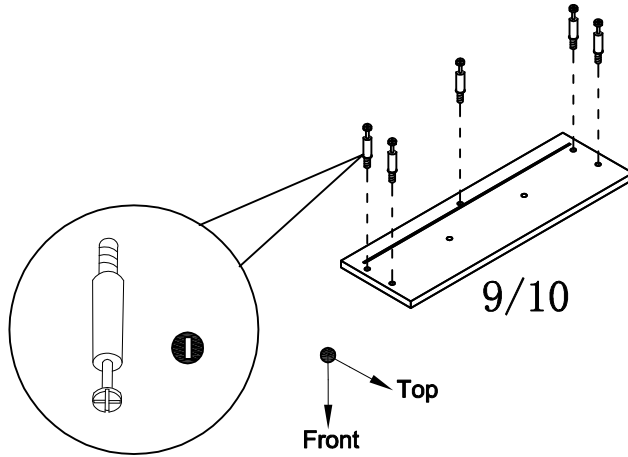


ASSEMBLY INSTRUCTIONS

17

HARDWARE **I** X 10PCS

x2

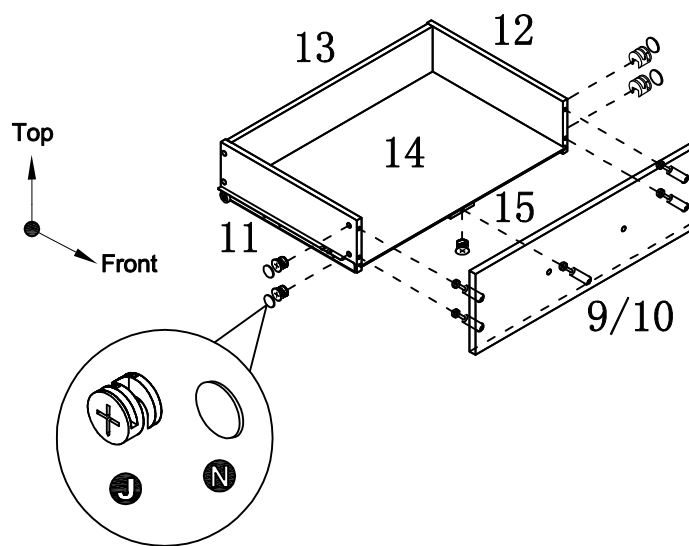


18

HARDWARE **J** X 10PCS

HARDWARE **N** X 8PCS

x2

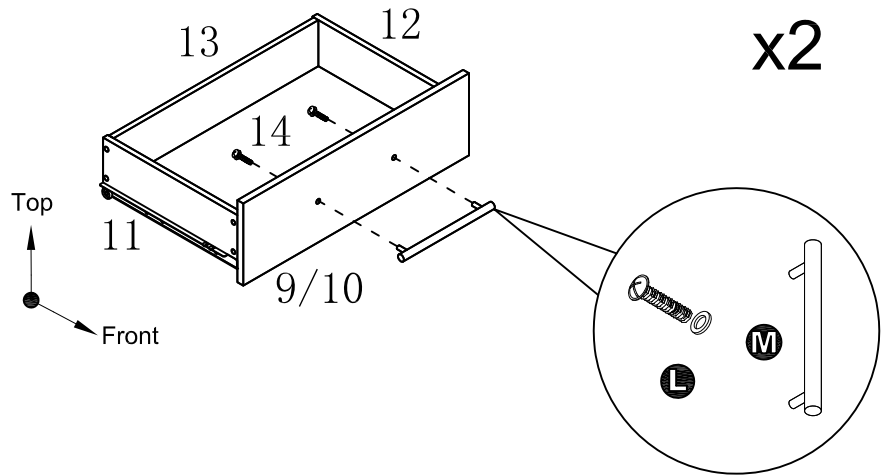


ASSEMBLY INSTRUCTIONS

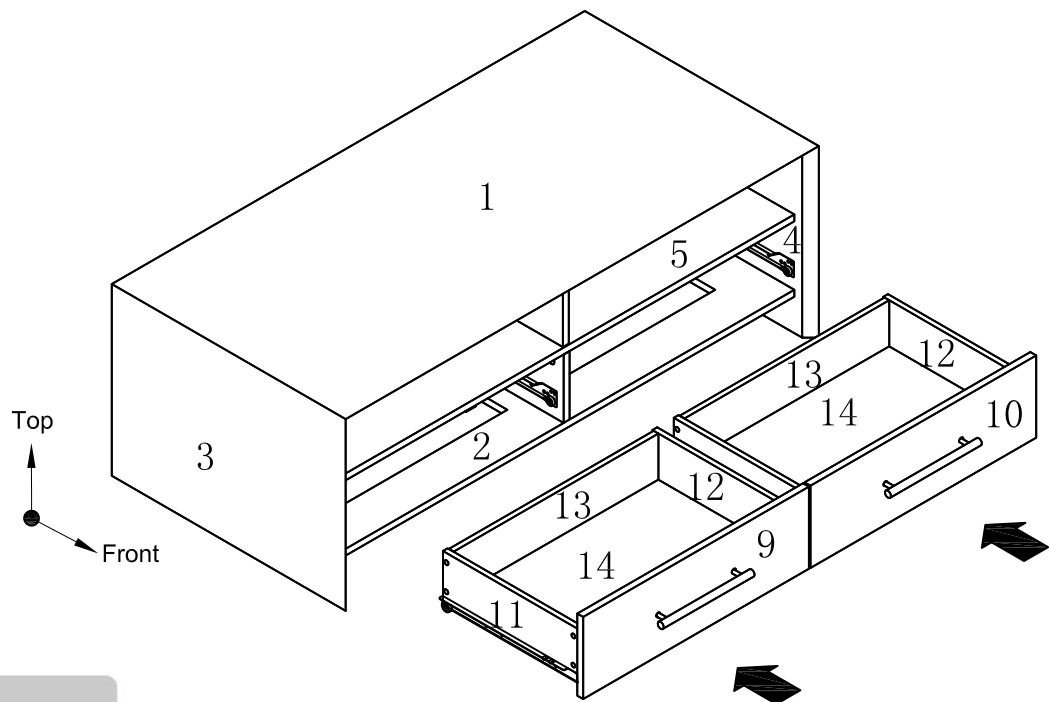
19

HARDWARE  X 4PCS

HARDWARE  X 2PCS



20



ASSEMBLY COMPLETED



Please ensure the furniture rests on an even and flat surface. If the product wobbles or feels loose, double-check all bolts and/or screws are properly tightened and secured.

✓ Keep this handy!

Please retain this instruction manual and any order-related information for future reference.

✓ Lift, don't drag!

To avoid damage to product please always LIFT the product when transporting or adjusting the placement.

