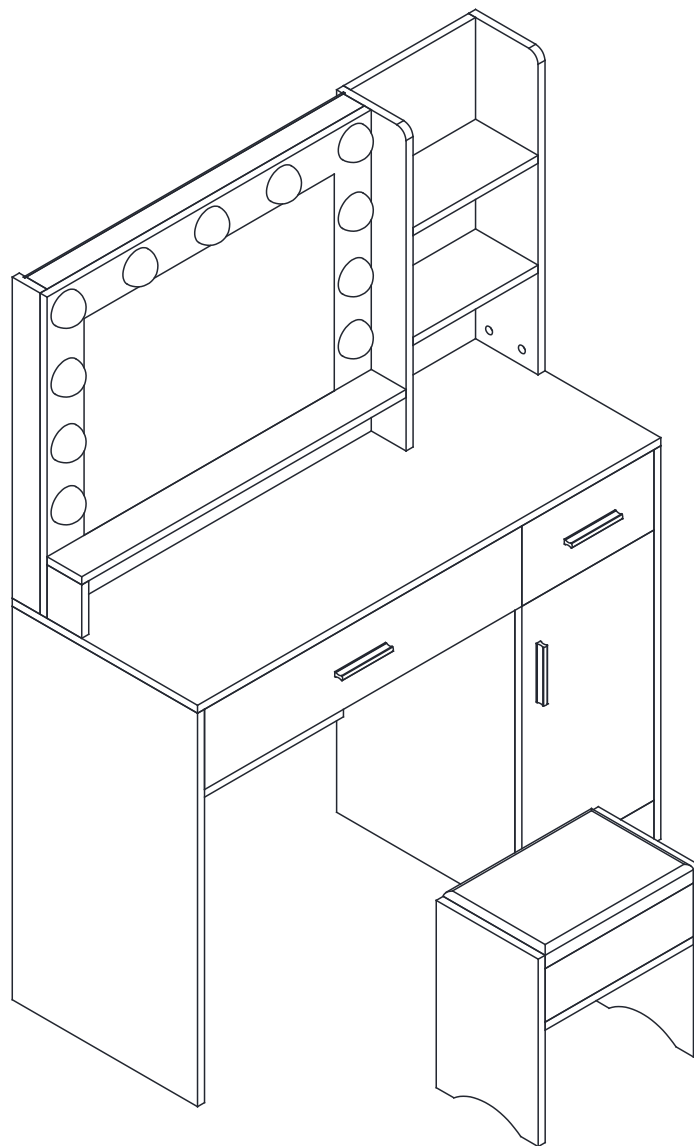


## 4016 Vanity Desk Set

If you have any questions about the 4016 Vanity Desk Set, please feel free to contact us.

Customer Service Email: [hgeurope@outlook.com](mailto:hgeurope@outlook.com)



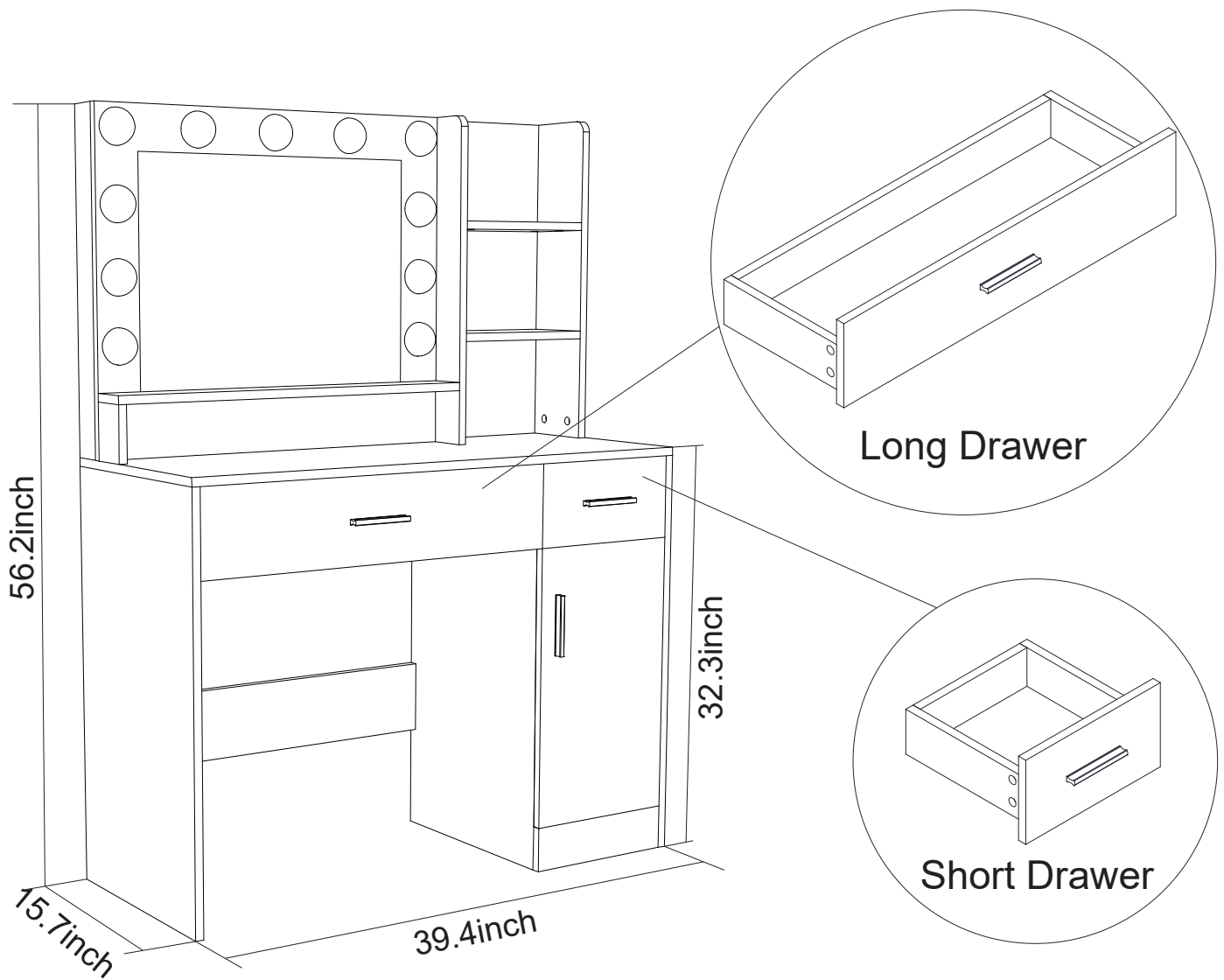
### P25807-S1

**IMPORTANT**

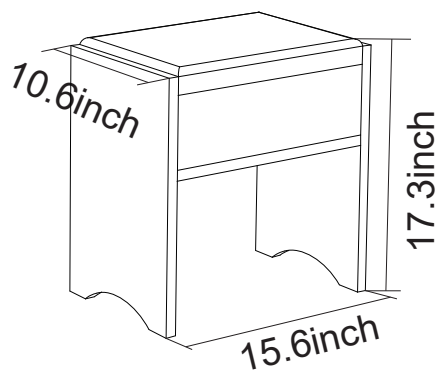
**PLEASE READ BEFORE YOU COMMENCE ASSEMBLY**

Follow the guidelines in this user guide to ensure correct assembly and care for this product.

## Table with Lighted Mirror



## Stool



# Catalog

Specifications.....01

Catalog..... 02

Notice ..... 03

Part List And Screw Set List..... 04

How to Assemble The Stool..... 08

How to Assemble The Long Drawer and The Short Drawer ..... 10

How to Assemble The Table with Lighted Mirror..... 13

# Before You Begin

Instructions are supplied in this manual and contain all appropriate information for your product.

Review all instructions before you begin and during assembly, follow the step sequence carefully for correct results.

1. Please separate and identify all the parts, making sure you have all of the parts listed.
2. To avoid any scratch during assembly, please assemble on a soft mat or similar.
3. Please assemble step by step and follow the instruction.
4. Please install and secure all screws and panels correctly according to the fastening method described below.
5. If you have an electric screwdriver, you can use it instead of the Phillips screwdriver we provide. An electric screwdriver can help you reduce assembly time.

If you have any questions about the 4016 Vanity Desk Set, please feel free to contact us.

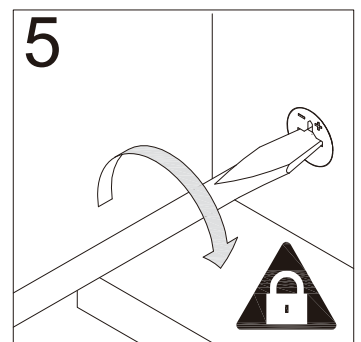
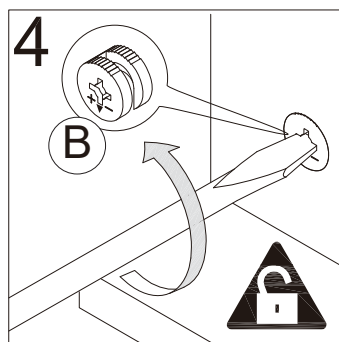
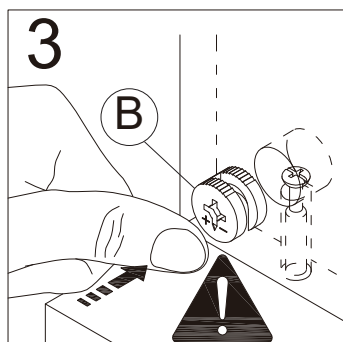
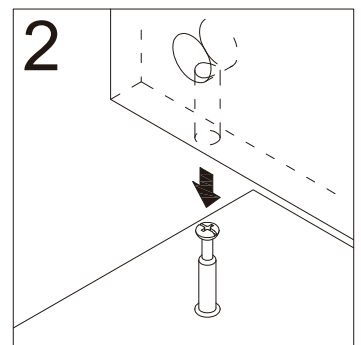
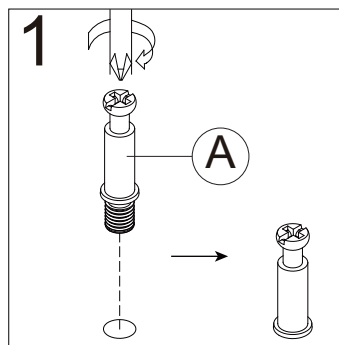
**Customer Service Email: [hgeurope@outlook.com](mailto:hgeurope@outlook.com)**

## How to Properly Install Three-in-One Connector

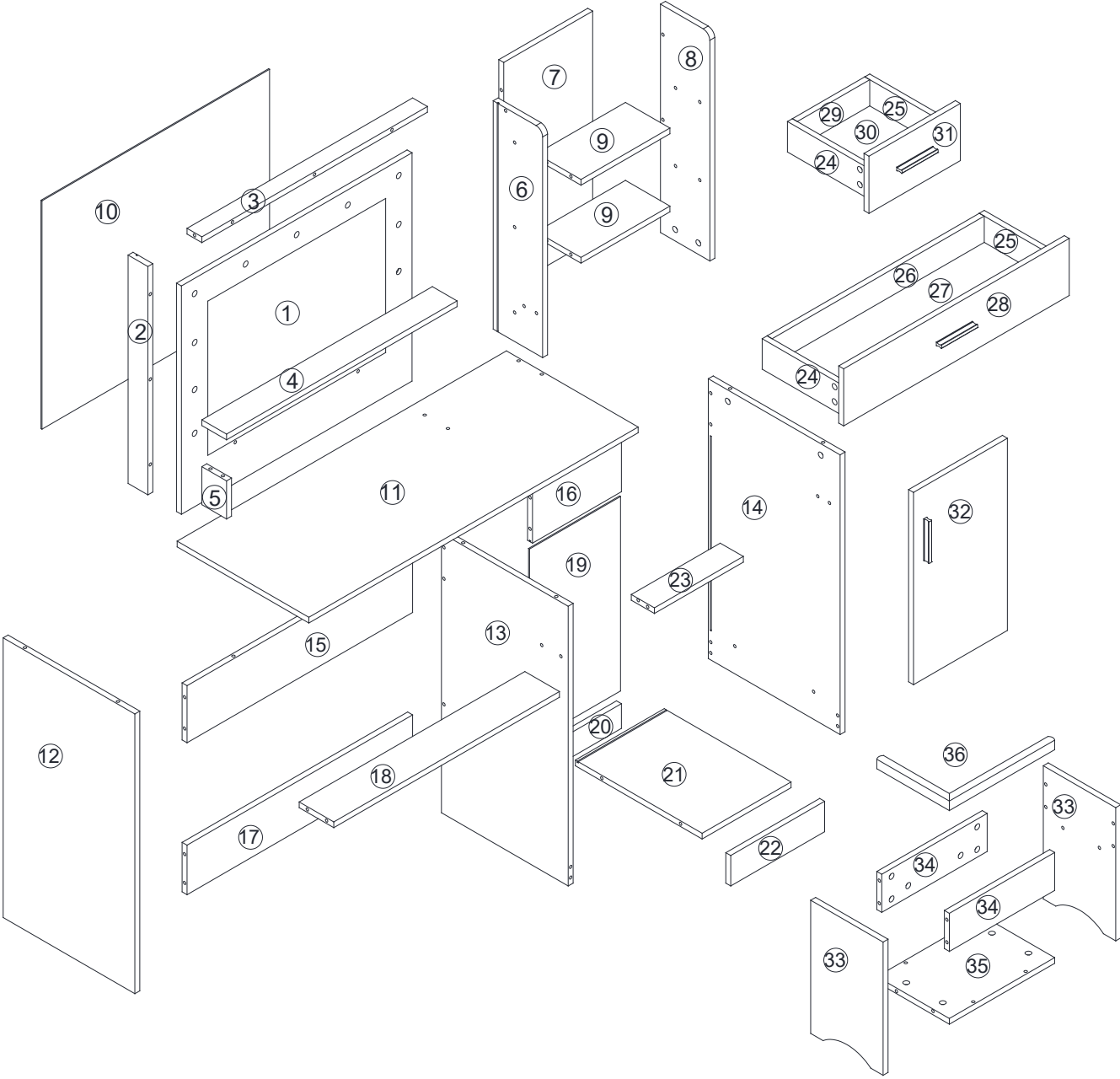
First use a Phillips screwdriver to screw the bolt (A) into the correct hole in the plate, align it with the corresponding hole in the other plate and insert it, insert the eccentric nut (B) into the corresponding hole in the second plate, and use the screwdriver to drive the eccentric nut (B) to rotate it clockwise, to ensure that the locking of the three-in-one connector.

This Cam Lock Fastening System will be used throughout the assembly process.

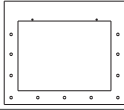

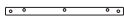
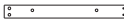

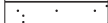

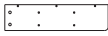

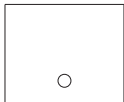






**NOTE:** Do not fully tighten the eccentric nut (B) until the product is completely installed to prevent damage to the plates caused by installation errors during the process.







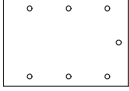






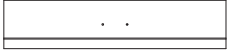


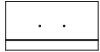

# EXPLODED VIEWS









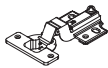

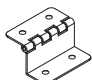
# PART LIST

Part List			
Img	Part Name	Lable No.	Qty
	Mirror	L001	1
	Mirror Side Plate	L002	1
	Mirror Top Panel	L003	1
	Mirror Front Plate	L004	1
	Mirror Front Shelf Short Support	L005	1
	Right Shelf Left Plate	L006	1
	Right Shelf Back Plate	L007	1
	Right Shelf Right Side Plate	L008	1
	Right Shelf Support Plate	L009	2
	Mirror Back Panel	L010	1
	Desktop	L011	1
	Left Support Plate	L012	1
	Middle Support Plate	L013	1
	Right Side Support Plate	L014	1
	Upper Back Plate	L015	1
	Lower Right Cabinet Upper Back Plate	L016	1

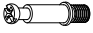


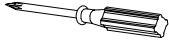
# PART LIST

Part List			
Img	Part Name	Label No.	Qty
	Lower Back Plate	L017	1
	Desktop Base Plate	L018	1
	Right Side Cabinet Large Back Plate	L019	1
	Right Side Cabinet Lower Back Plate	L020	1
	Right Cabinet Bottom Plate	L021	1
	Right Cabinet Front Plate	L022	1
	Right Drawer Bottom Plate	L023	1
	Drawer Left Side Plate	L024	2
	Drawer Right Side Plate	L025	2
	Long Drawer Back Plate	L026	1
	Long Drawer Bottom Panel	L027	1
	Long Drawer Front Plate	L028	1
	Short Drawer Back Plate	L029	1
	Short Drawer Back Panel	L030	1
	Short Drawer Front Plate	L031	1
	Cabinet Front Plate	L032	1

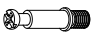



# PART LIST

Part List			
Img	Part Name	Label No.	Qty
	Chair Side Plate	L033	2
	Chair Front Plate	L034	2
	Chair Bottom Plate	L035	1
	Chair Seat	L036	1
	Light Bulb String	L037	1
	Metal Handle	L038	3
	Cabinet Door Hinge	L039	2
	Drawer Tracks	L040	4
	Chair Hinge	L041	2

## Screw Set List

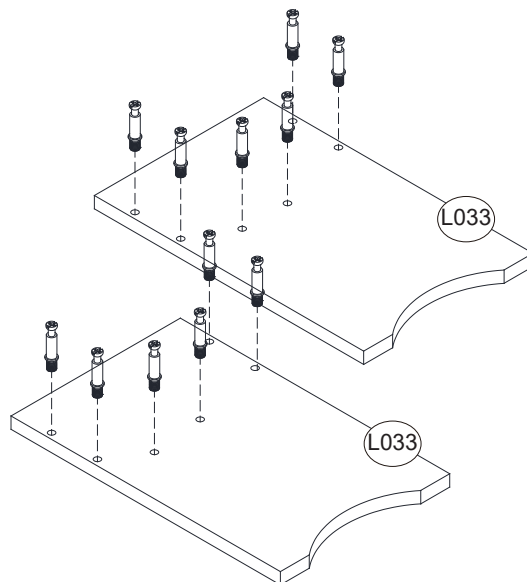
<b>(A)</b>  Bolt	<b>(B)</b>  Eccentric Nut	<b>(C)</b>  Self-tapping Screws	<b>(E)</b>  M4x16	<b>(G)</b>  Phillips Screwdriver
105PCS	105PCS	40PCS	6PCS	1PC

## Extra (Screw Set)

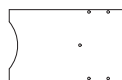
<b>(A)</b>  Bolt	<b>(B)</b>  Eccentric Nut	<b>(C)</b>  Self-tapping Screws	<b>(E)</b>  M4x16	
5PCS	5PCS	5PCS	1PCS	

## How To Assemble the Stool

**Step 1:** Use a Phillips screwdriver to screw bolts (A) into the correct holes on the two chair side plate (L033) .



L033



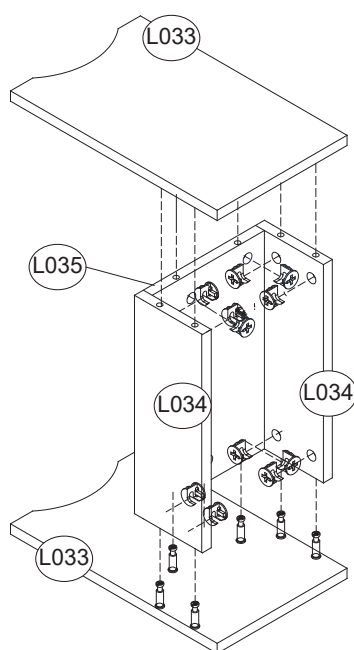
x2

A

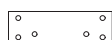


x12

**Step 2:** Fasten the two chair side plates (L033) with the bolts installed in step 1 to the two Chair Front Plates (L034) and the Chair Bottom Plate (L035) .

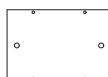


L034



x2

L035



x1

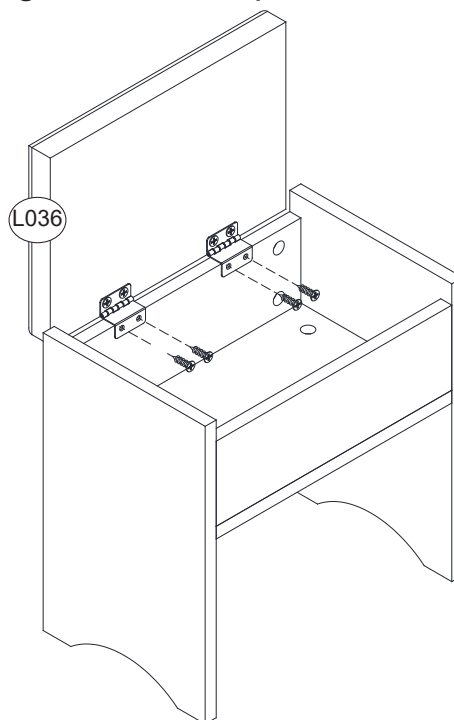
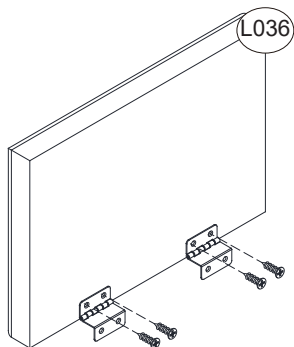
B



x12

# Installation steps

**Step 3:** After attaching the chair hinge to the seat surface (L036) of the chair with screws, attach the other side of the chair hinge to the side plate of the chair (L034) with Self-tapping Screws.



L036



x4

L041



x2

C

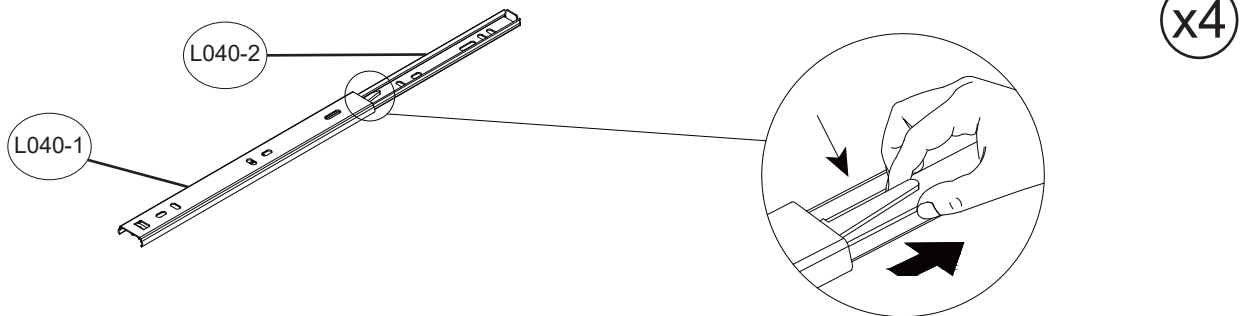


x8

## How To Assemble The Long(&Short) Drawer

**Step 1:** Push the lever up and remove the runner.

**Note:** Slides must be separated before assembly. After separated, set them aside until needed for assembly.



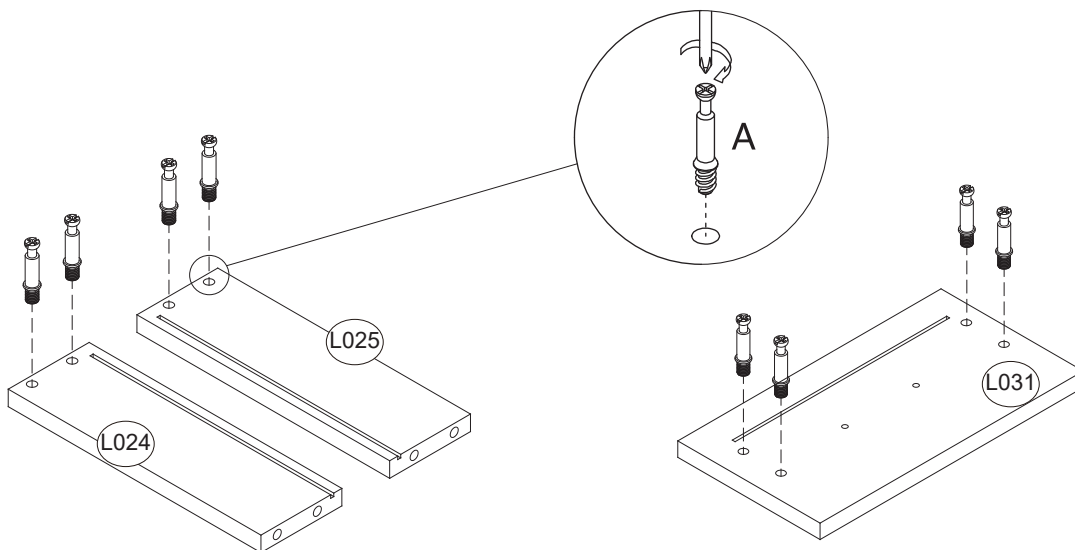
L040



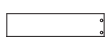
x4

In this manual only the installation of the short drawer is explained in detail, the installation of the long drawer is the same as that of the short drawer, the list of parts to be used for the long drawer is detailed in step 4 of this section.

**Step 2:** Use a Phillips screwdriver to screw the bolts (A) into the correct holes on the Drawer Left and the Right Side Plate (L024&L025) and the Short Drawer Front Plate (L031) and the Chair Bottom Plate (L035).



L024



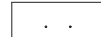
x1

L025



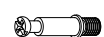
x1

L031



x1

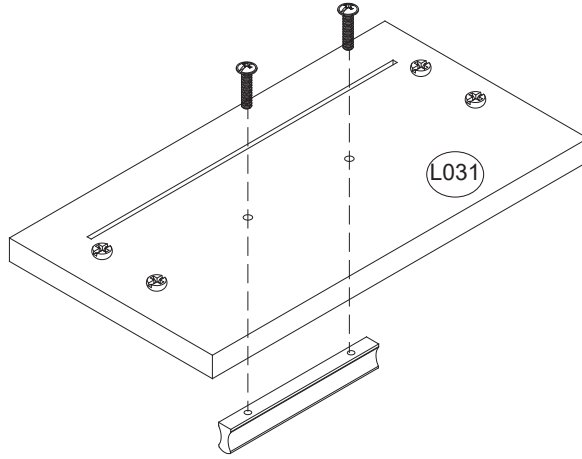
A



x8

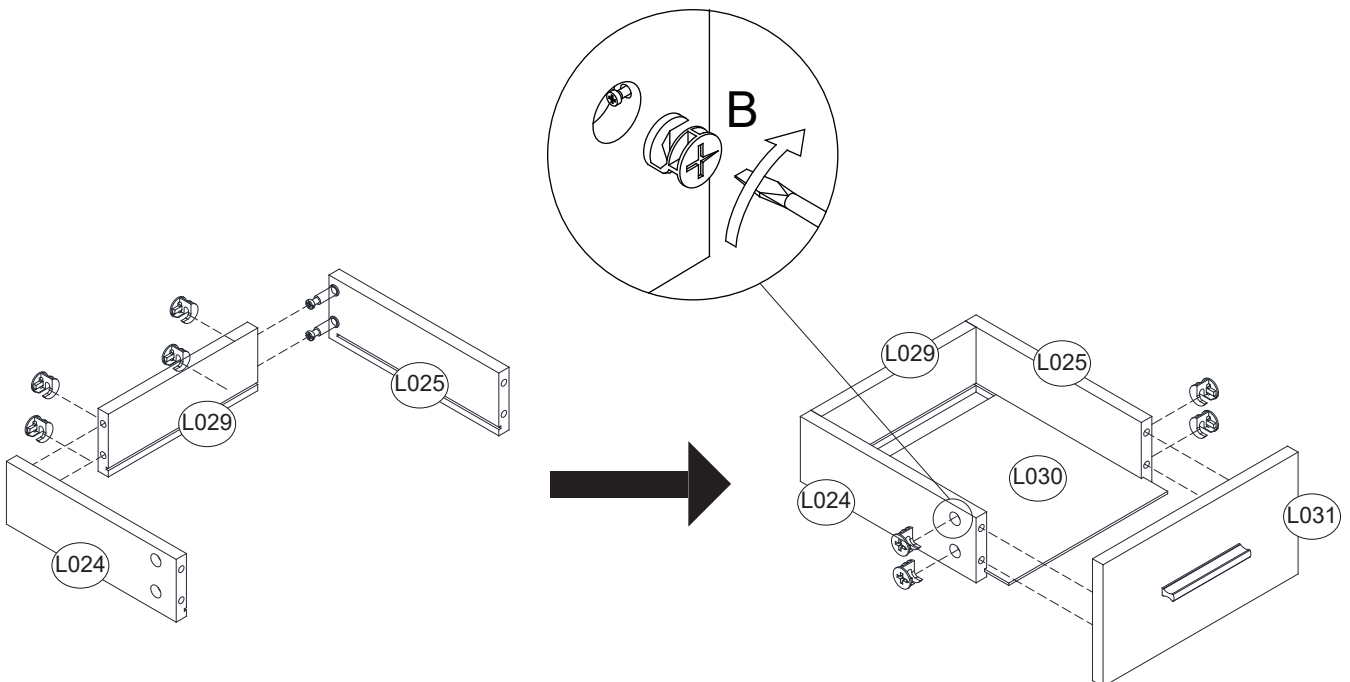
# Installation steps

**Step 3:** Screw the Metal Handle (L038) to the front of the Short Drawer Front Plate (L031).



L038		x1	E		M4x16	x2
------	--	----	---	--	-------	----

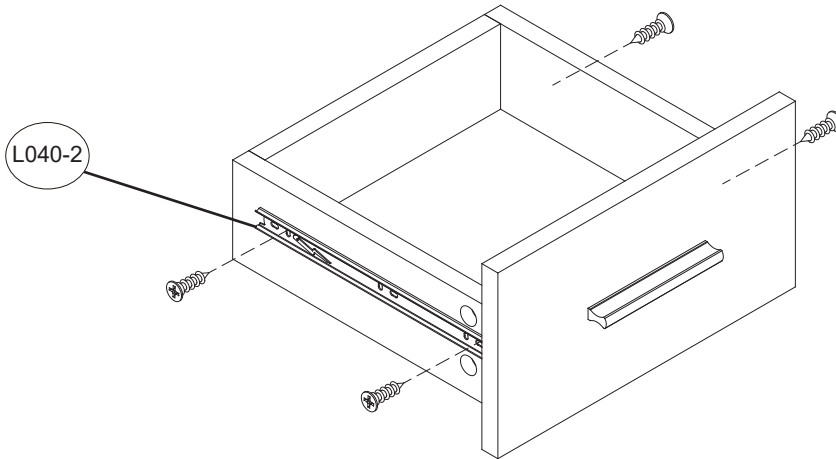
**Step 4:** Connect the plates installed in steps 2 and 3 together and securely lock them.



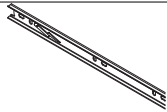
L029		x1	L030		x1	B		x8
------	--	----	------	--	----	---	--	----

# Installation steps

**Step 3:** Secure the inner section of the disassembled drawer track from the first step to the outer sides of the drawer's side plates using screws (C).



L040-2



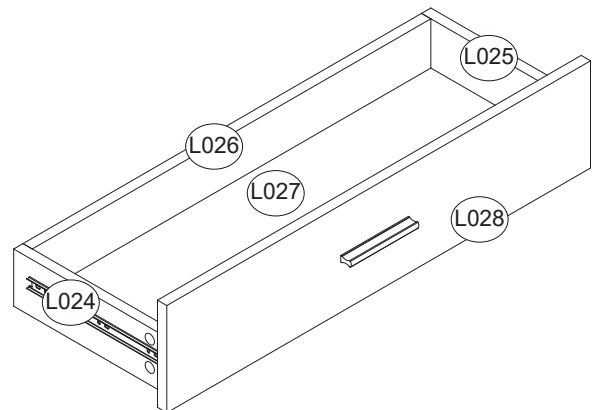
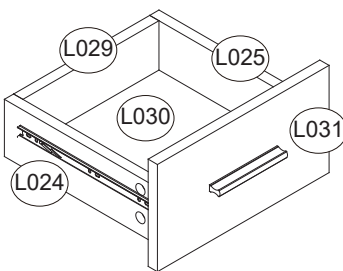
x2

C



x4

**Step 4:** The two drawers are installed the same way.



L024



x1

L025



x1

L026



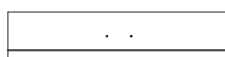
x1

L027



x1

L028



x1

L038



x1

L040-2



x2

A



x8

B



x8

E



x2

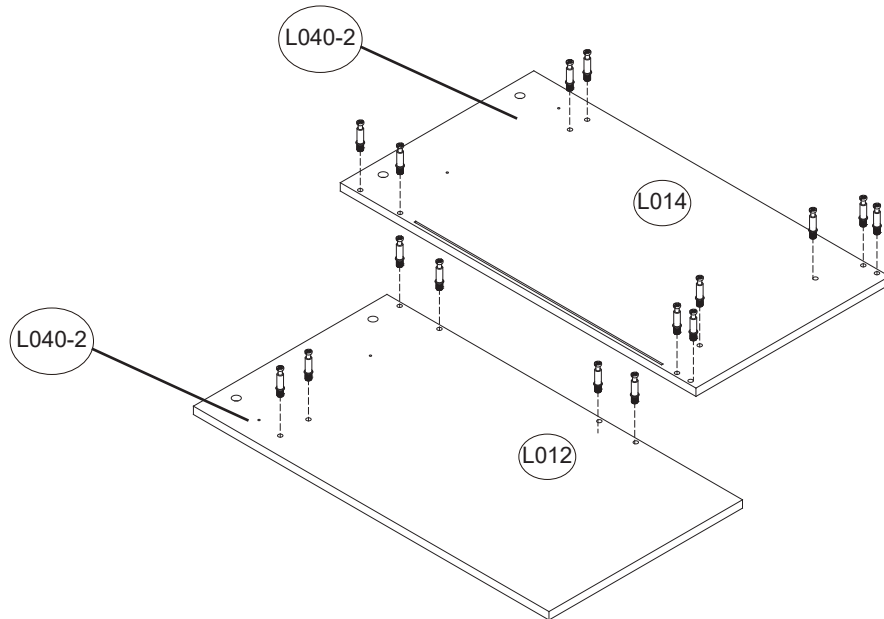
C



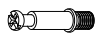


x4

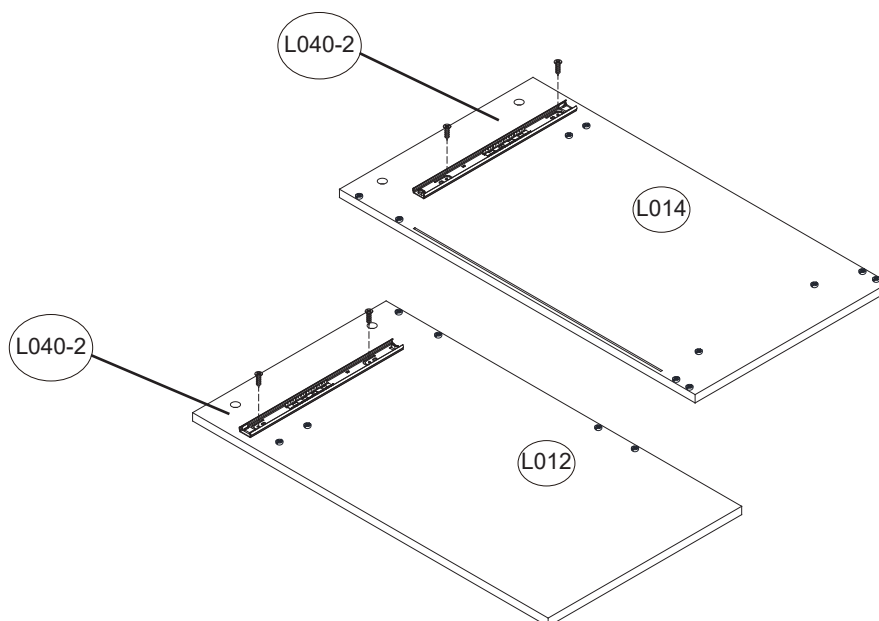
## How To Assemble The Table with Lighted Mirror

**Step 1:** Place bolts (A) in the correct holes on the Left Support Plate (L012) and the Right Side Support Plate (L014).



L012		x1	L014		x1	A		x16
------	---	----	------	---	----	---	---	-----

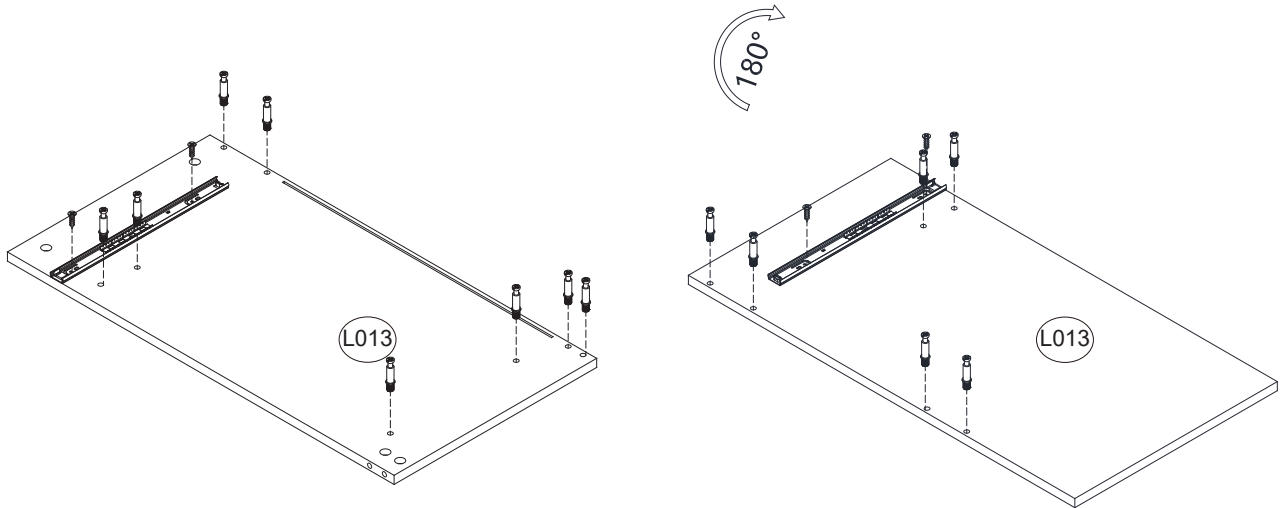
**Step 2:** Screw the outer part of the dismantled drawer track to the surface of the Left Support Plate (L012) and Right Side Support Plate (L014) as shown in the illustration.



L040-1		x2	C		x4
--------	---	----	---	---	----

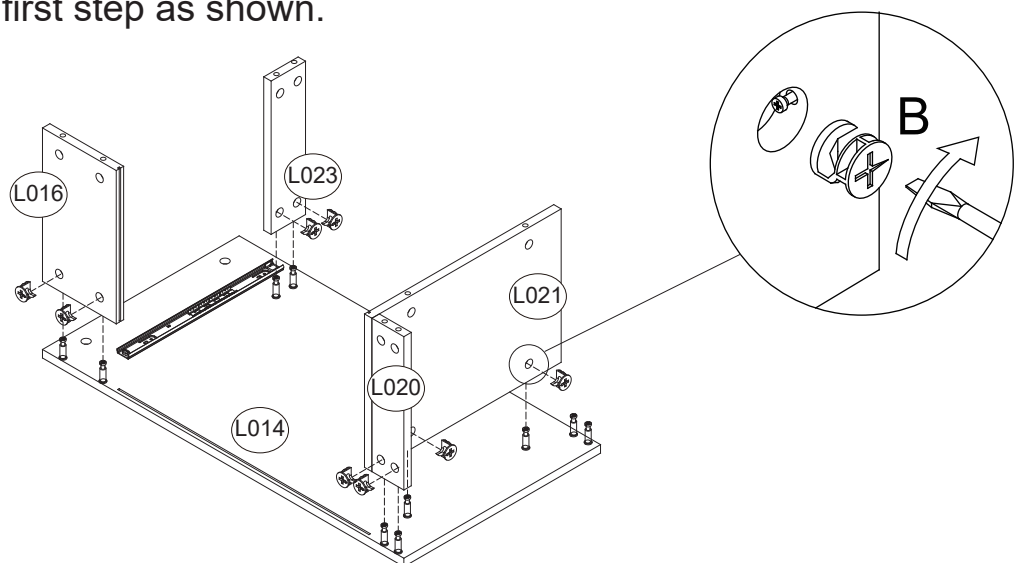
# Installation steps

**Step 3:** Screw bolts (A) into the correct hole on one side of the Middle Support Plate (L013) as shown in the diagram and screw the outer section of the already disassembled drawer track to it! Turn the Middle Support Plate (L013) over by 180° as shown in the diagram, screw bolts (A) in the correct holes on the other side and screw the outer section of the already dismantled drawer track to it!



L013		x1	L040-2		x2	A		x14	C		x4
------	--	----	--------	--	----	---	--	-----	---	--	----

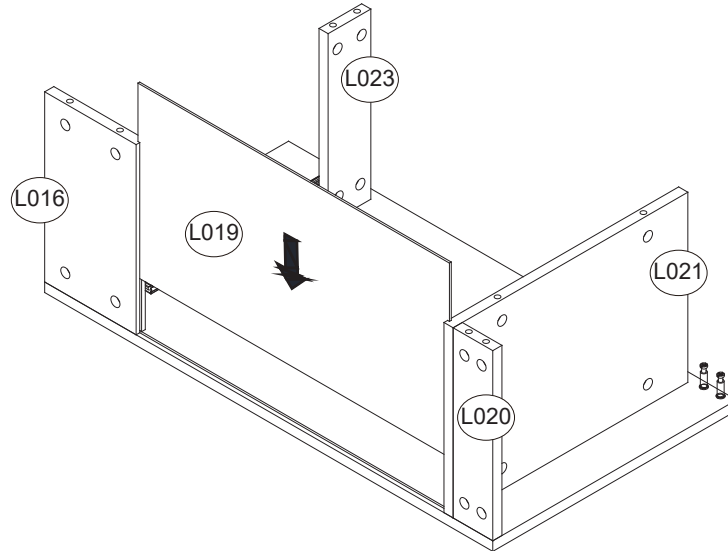
**Step 4:** Insert the Right Drawer Bottom Plate (L023), Lower Right Cabinet Upper Back Plate (L016), Right Side Cabinet Lower Back Plate (L020) and Right Cabinet Bottom Plate (L021) into the Right Side Support Plate (L014) where the screws were installed in the first step as shown.



L016		x1	L020		x1	L021		x1
L023		x1	B		x8			

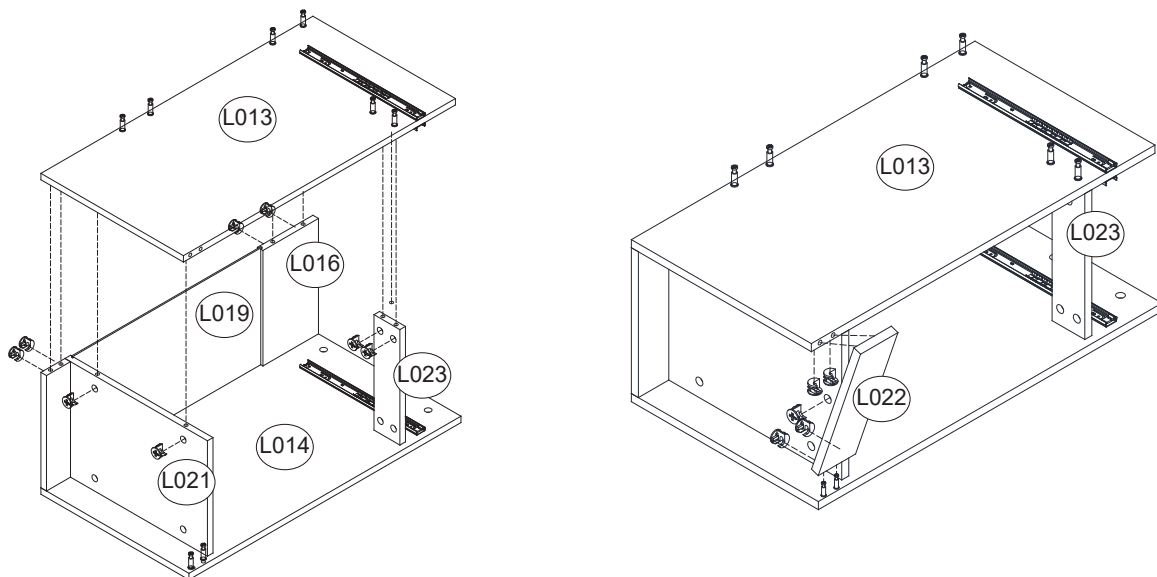
# Installation steps

**Step 5:** Insert the Right Side Cabinet Large Back Plate (L019) into the gap formed by the Lower Right Cabinet Upper Back Plate (L016) and the Right Cabinet Bottom Plate (L021) in the whole of the installation made in the previous step, as shown in the picture.

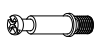


L019  x1

**Step 6:** Screw 3 bolts (A) into the correct hole position on the Right Cabinet Front Plate (L022). Insert the Middle Support Plate (L013) on the whole assembled in step 5, meanwhile insert the Right Cabinet Front Plate (L022) diagonally on top of the corresponding screws, and finally lock all the screws.



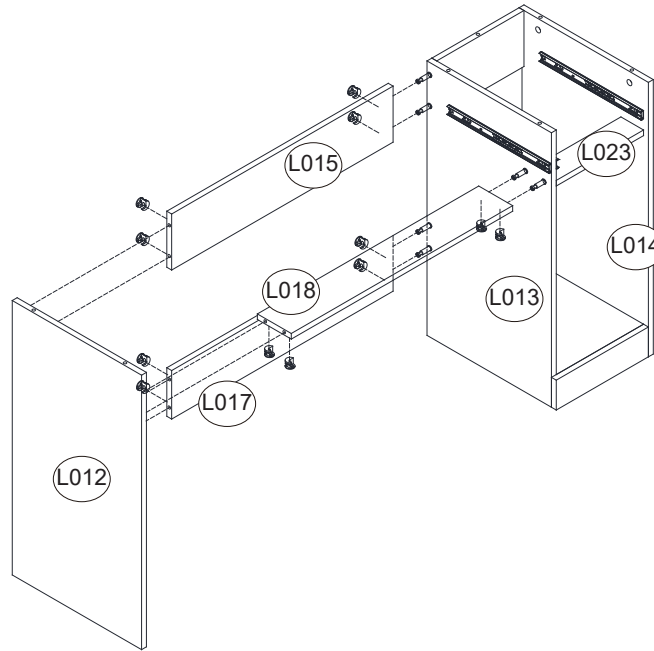
L022  x1

A  x3

B  x13

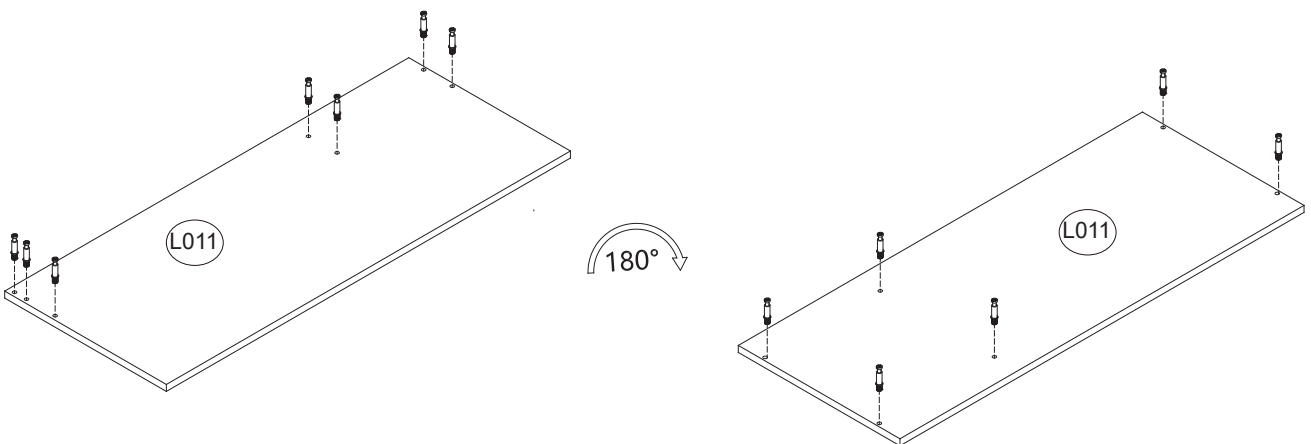
# Installation steps

**Step 7:** Connect the L012 installed in step 2 and the whole installed in step 6 with Upper Back Plate (L015), Lower Back Plate (L017) and Desktop Base Plate (L018).



L015		x1	L017		x1	L018		x1	B		x12
------	---	----	------	---	----	------	--	----	---	---	-----

**Step 8:** Screw bolts (A) into the correct hole on one side of the Desktop (L011) as shown in the diagram. Turn the Desktop (L011) over by 180° as shown in the diagram, screw bolts (A) in the correct holes on the other side.

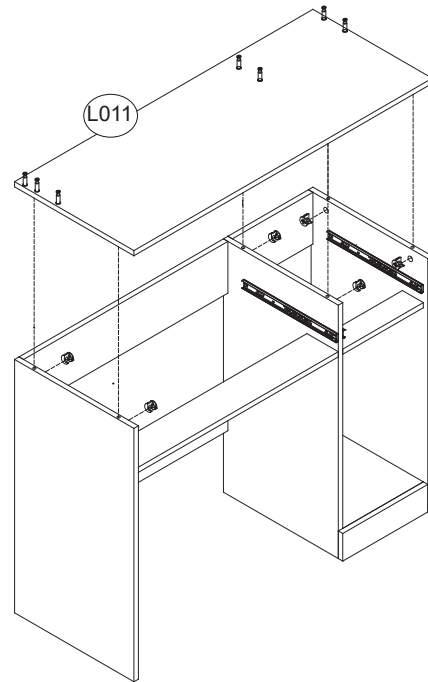


L011		x1	A		x13
------	---	----	---	---	-----

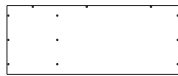
# Installation steps

**Step 9:** Place the Desktop (L011) on top of the whole assembled in step 7 and fasten it with the Eccentric Nut (B).

**Note:** Please be careful to distinguish between the positive and negative sides of the desktop.



L011



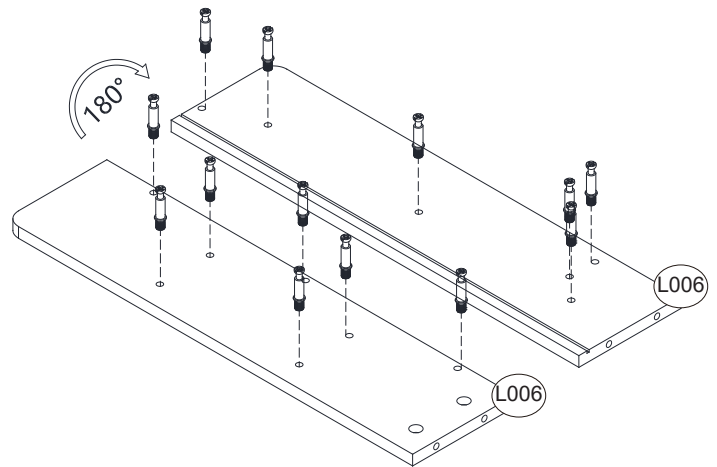
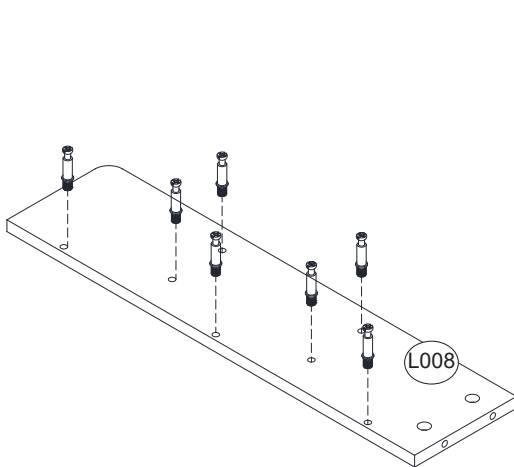
x1

B

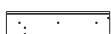


x6

**Step 10:** Screw bolts (A) in the correct holes on the Right Shelf Right Side Plate (L008). Screw bolts (A) into the correct hole on one side of the Right Shelf Left Plate (L006) as shown in the diagram. Turn the Right Shelf Left Plate (L006) over by 180° as shown in the diagram, screw bolts (A) in the correct holes on the other side.

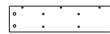


L006



x1

L008



x1

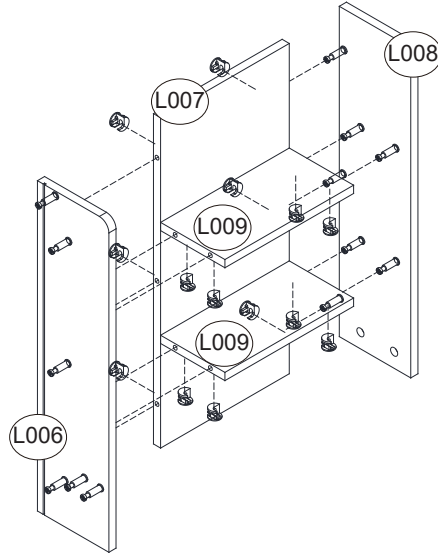
A



x20

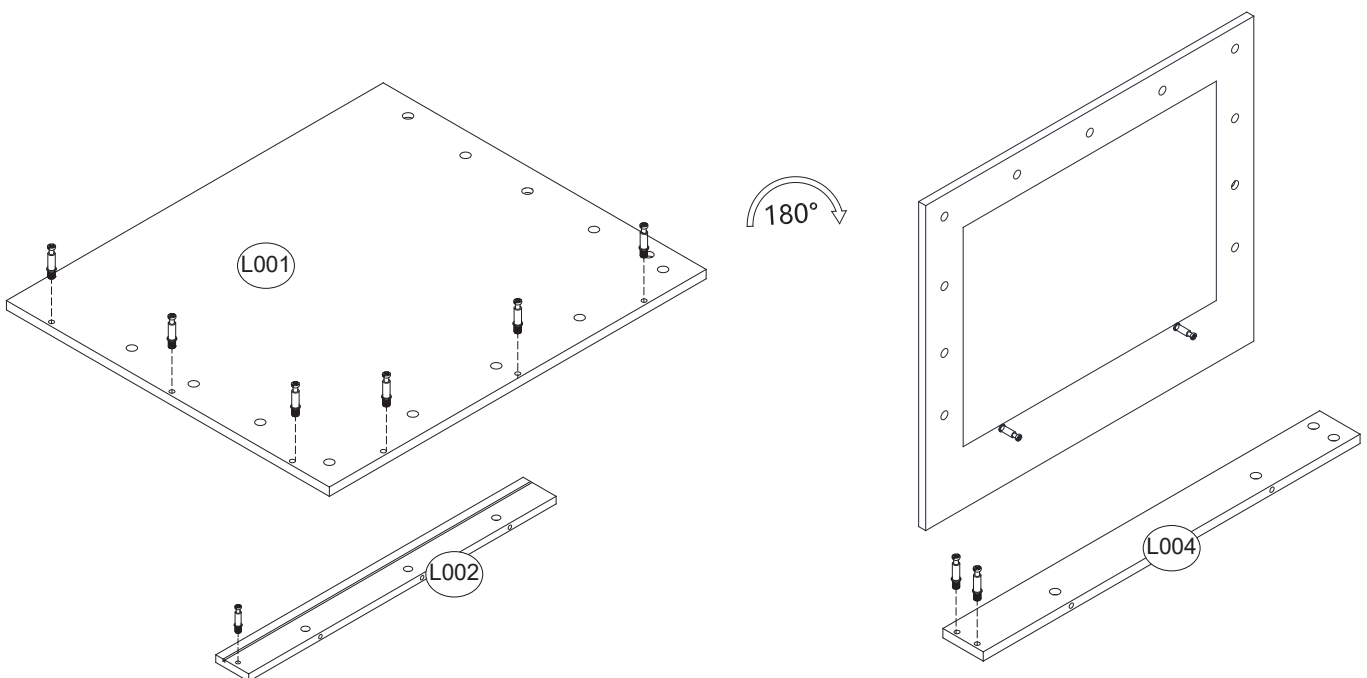
# Installation steps

**Step 11:**As shown in the figure, connect the Right Shelf Left Plate (L006) and Right Shelf Back Plate (L007) and Right Shelf Support Plate (L009) and the Right Shelf Right Side Plate (L008) together with the Eccentric Nut (B).



L007		x1	L009		x1	B		x14
------	--	----	------	--	----	---	--	-----

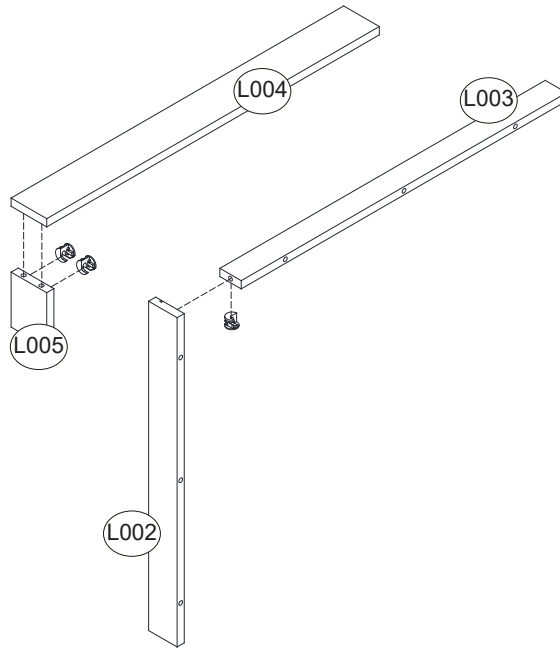
**Step 12:**Screw bolts (A) in the correct holes on the Mirror (L001) and Mirror Side Plate (L002) and Mirror Front Plate (L004). Turn the Mirror (L001) over by 180° as shown in the diagram, screw bolts (A) in the correct holes on the other side.



L001		x1	L002		x1	L004		x1	A		x11
------	--	----	------	--	----	------	--	----	---	--	-----

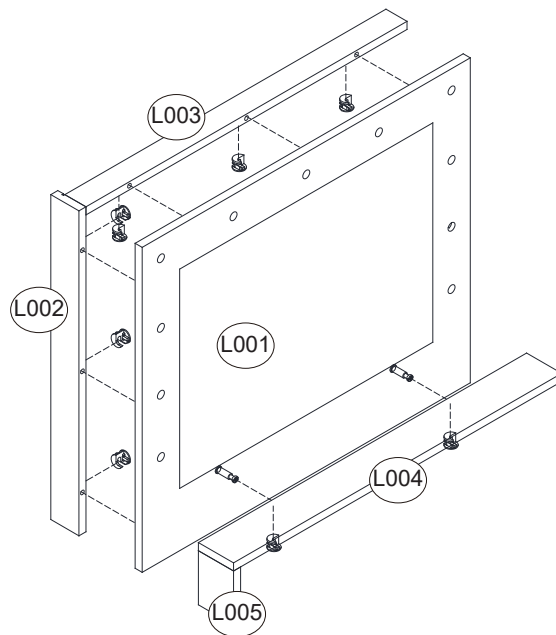
# Installation steps

**Step 13:**As shown in the figure, connect the Mirror Front Plate (L004) and the Mirror Front Shelf (L005) with the Eccentric Nut (B). Connect the Mirror Side Plate (L002) and the Mirror Top Panel (L003) with the Eccentric Nut (B).



L003		x1	L005		x1	B		x3
------	---	----	------	---	----	---	---	----

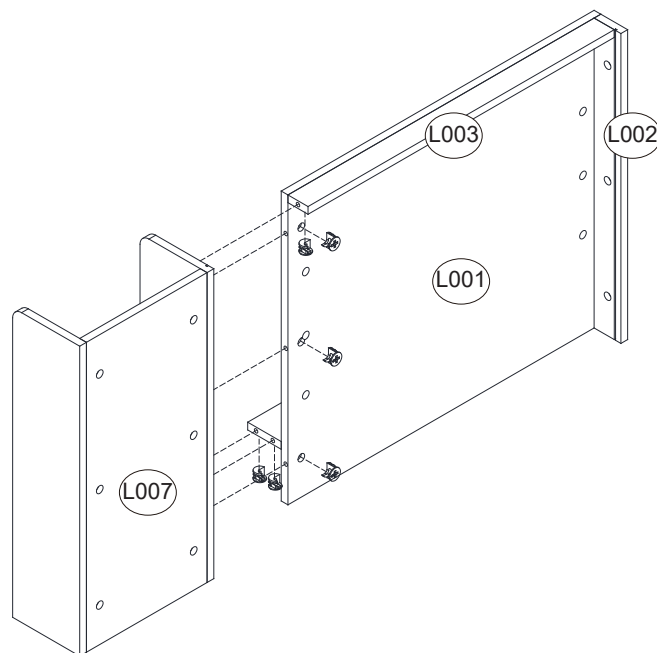
**Step 14:**Connect the two wholes assembled in step 13 with the Mirror (L001) assembled in step 12 using the Eccentric Nut (B).



B		x8
---	---	----

## Installation steps

**Step 15:**As shown in the figure, connect the whole assembled in step 11 with the whole assembled in step 14 using the Eccentric Nut (B).

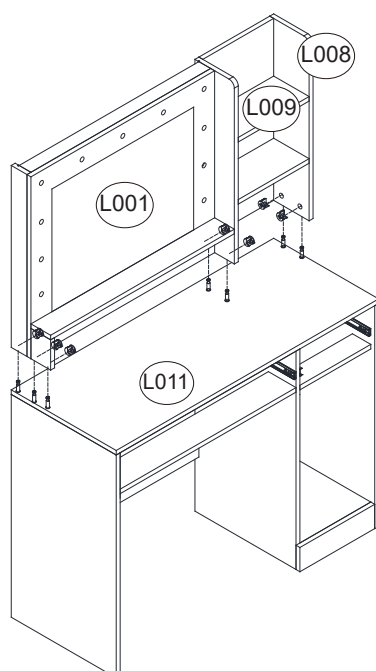


B



x6

**Step 16:**As shown in the figure, connect the whole assembled in step 7 with the whole assembled in step 15 using the Eccentric Nut (B).



B

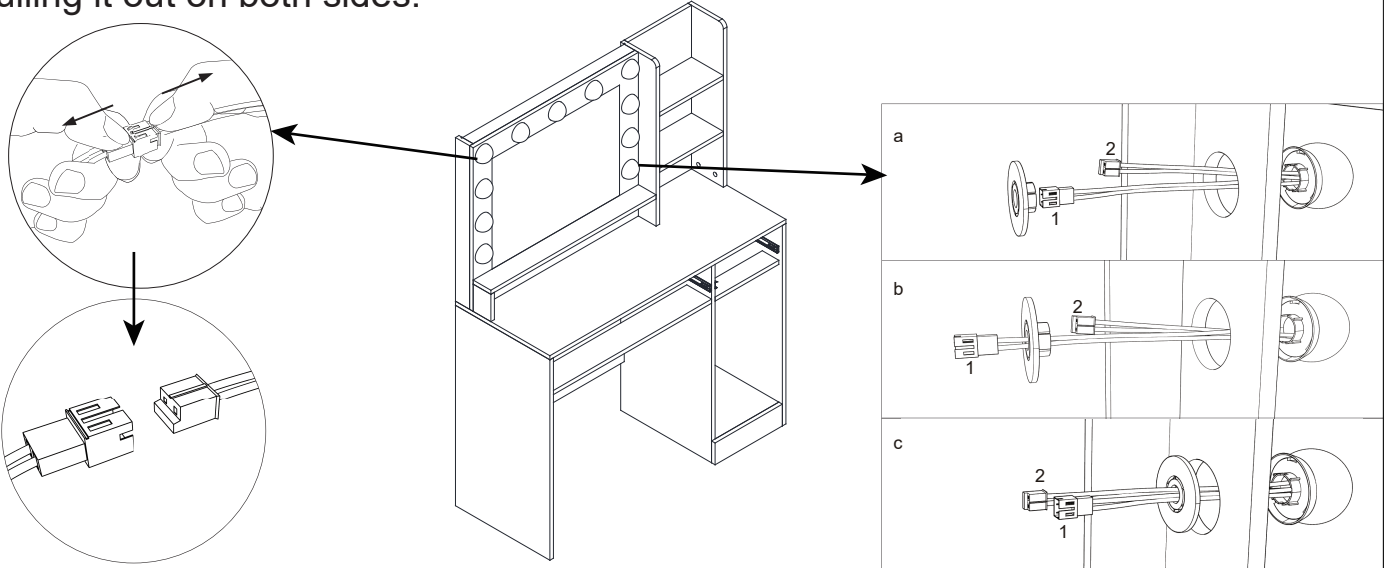


x7

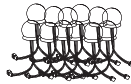
# Installation steps

**Step 17:** Disassemble the string of connected bulbs into 11 separate bulbs and 11 nuts as shown in the illustration. Insert the separated bulbs through the holes on the side of the Mirror (L001) as shown in the illustration and fasten them to the Mirror (L001) with the nuts you have just removed.

**Note:** During the disassembly process, you need to press the plug inside while pulling it out on both sides.

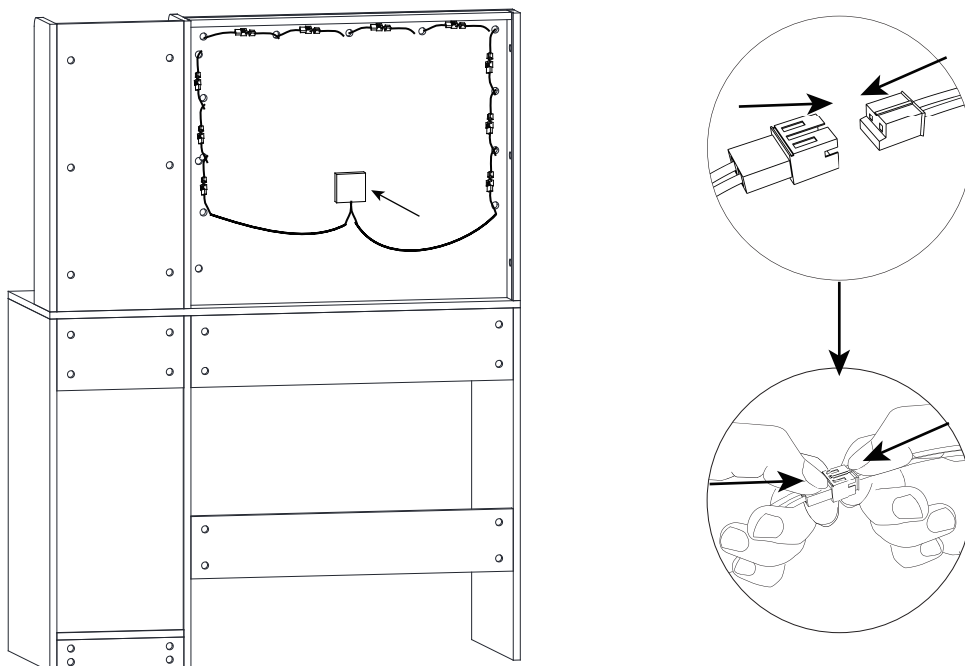


L037



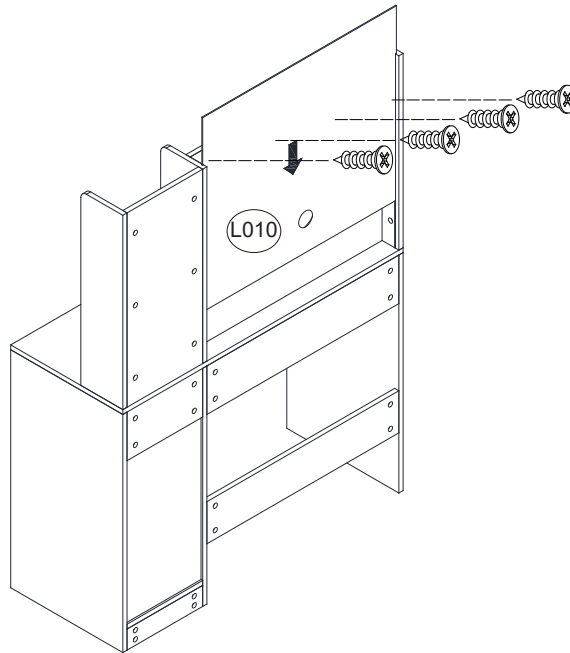
x1

**Step 18:** Connect the bulbs in sequence and fasten them as shown in the diagram. Tape the touch control switch to the opening on the back of the Mirror (L001).

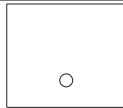


## Installation steps

**Step 19:** Insert the Mirror Back Panel (L010) into the back of the mirror in the correct orientation, pull the USB charging cable for the light bulb out of the hole, and finally secure the Mirror Back Panel (L010) to the edge of the Mirror Top Panel (L003) with the 4 screws.



L037



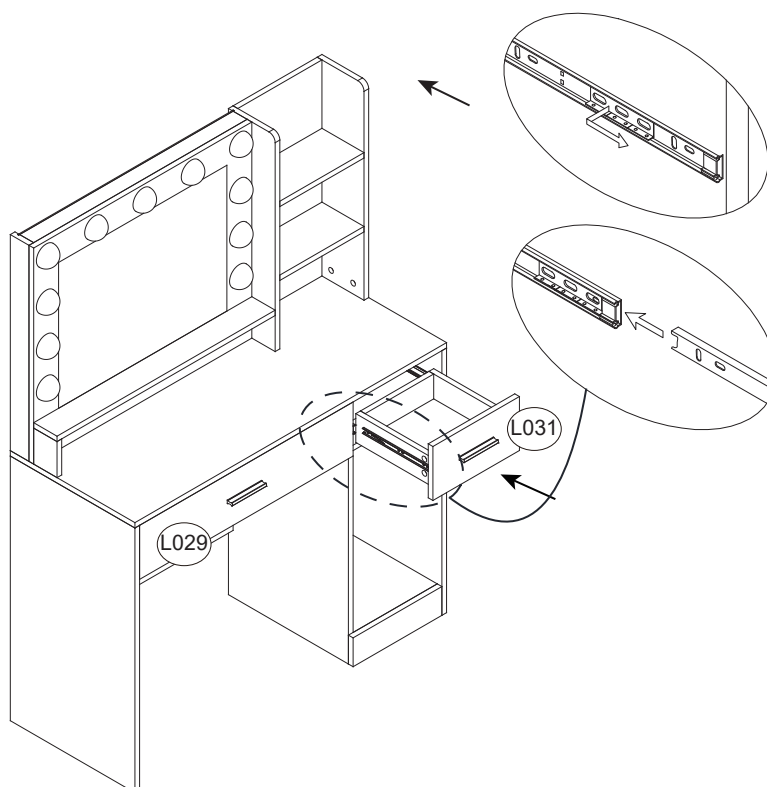
x1

C



x4

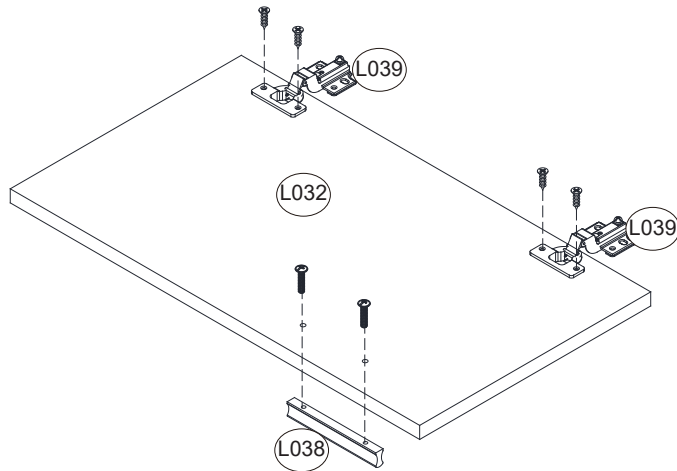
**Step 20:** Insert the two already fitted drawers into the gap underneath the Desktop (L011) in the same way, fixing them to the body of the cabinet.



# Installation steps

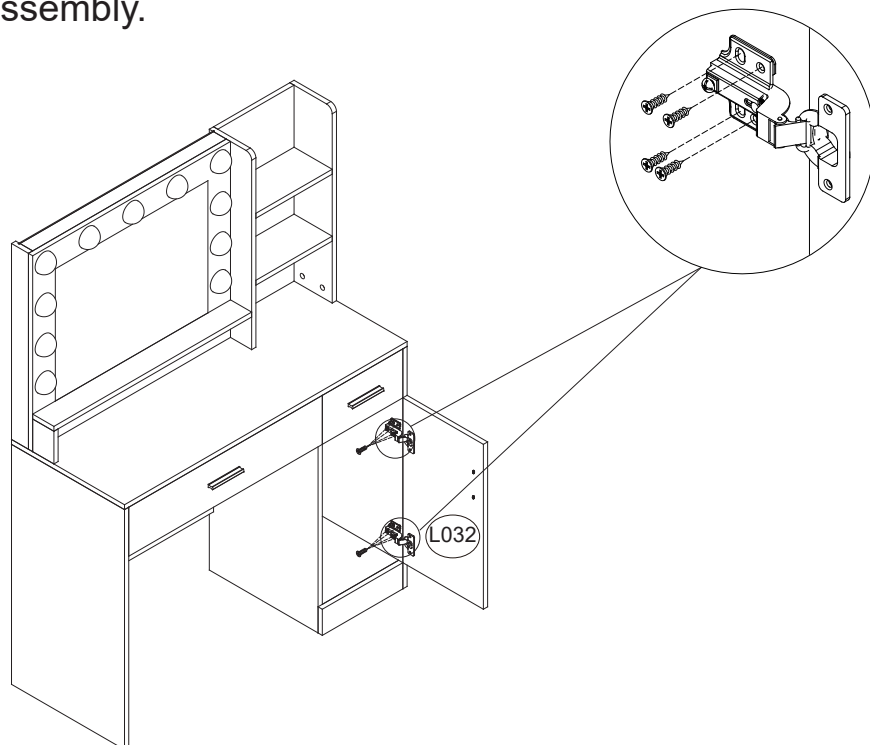
**Step 21:** Fix Cabinet door hinge (L039) to the Cabinet Front Plate (L032) with screws (C). Fix the Metal Handle (G038) to the Cabinet Front Plate (L032) with screws (E).

**Note:** Please distinguish between the front and back of the Cabinet Front Plate (L032) and the top and bottom of the Cabinet Front Plate (L032), the positioning points for the screws have been drawn on the plate.



L038		x1	L039		x2	E		M4x16	x2	C		x4
------	--	----	------	--	----	---	--	-------	----	---	--	----

**Step 22:** Use screws (C) to fix the whole assembled in the previous step to the cabinet, complete the assembly.



C		x8
---	--	----