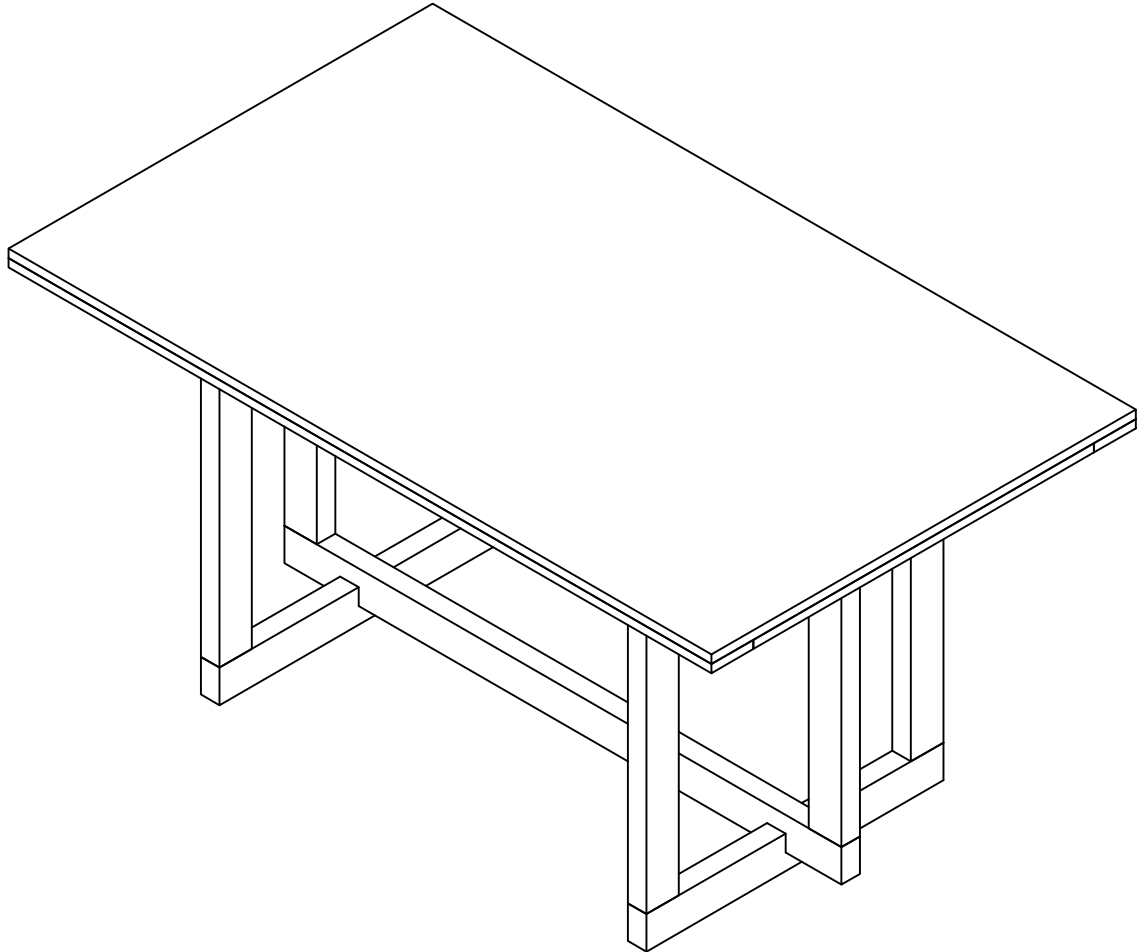


ASSEMBLY INSTRUCTIONS

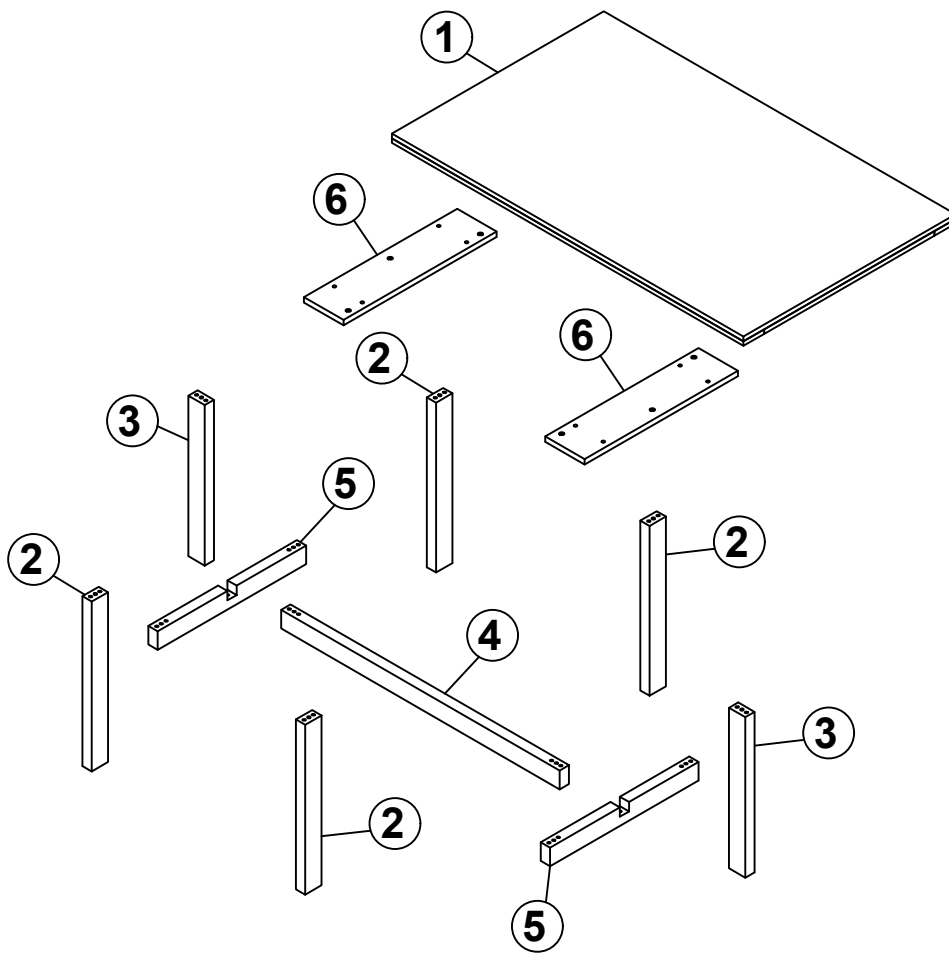
DINING TABLE




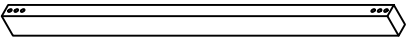
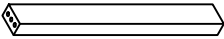
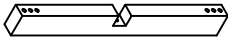
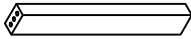
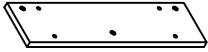
WF301141

IMPORTANT NOTE :

- 1 PLACE ALL PARTS ON A CLEAN AND SMOOTH SURFACE SUCH AS A RUG OR CARPET TO AVOID THE PARTS FROM BEING SCRATCHED.**
- 2 BEFORE YOU BEGIN , KINDLY FOLLOW THE ASSEMBLY INSTRUCTIONS STEP BY STEP.**
- 3 DO NOT TIGHTEN ALL SCREWS AND BOLTS UNTIL THE TABLE IS FULLY SET-UP**









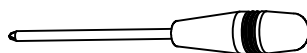
PART LIST

<p>①</p> 	<p>④</p> 
<p>TOP TABLE (1pc)</p>	<p>STRETCHER (1pc)</p>
<p>②</p> 	<p>⑤</p> 
<p>LONG TABLE LEGS (4pcs)</p>	<p>BASE (2pcs)</p>
<p>③</p> 	<p>⑥</p> 
<p>SHORT TABLE LEGS (2pcs)</p>	<p>CROSSBAR (2pcs)</p>

ASSEMBLY INSTRUCTIONS

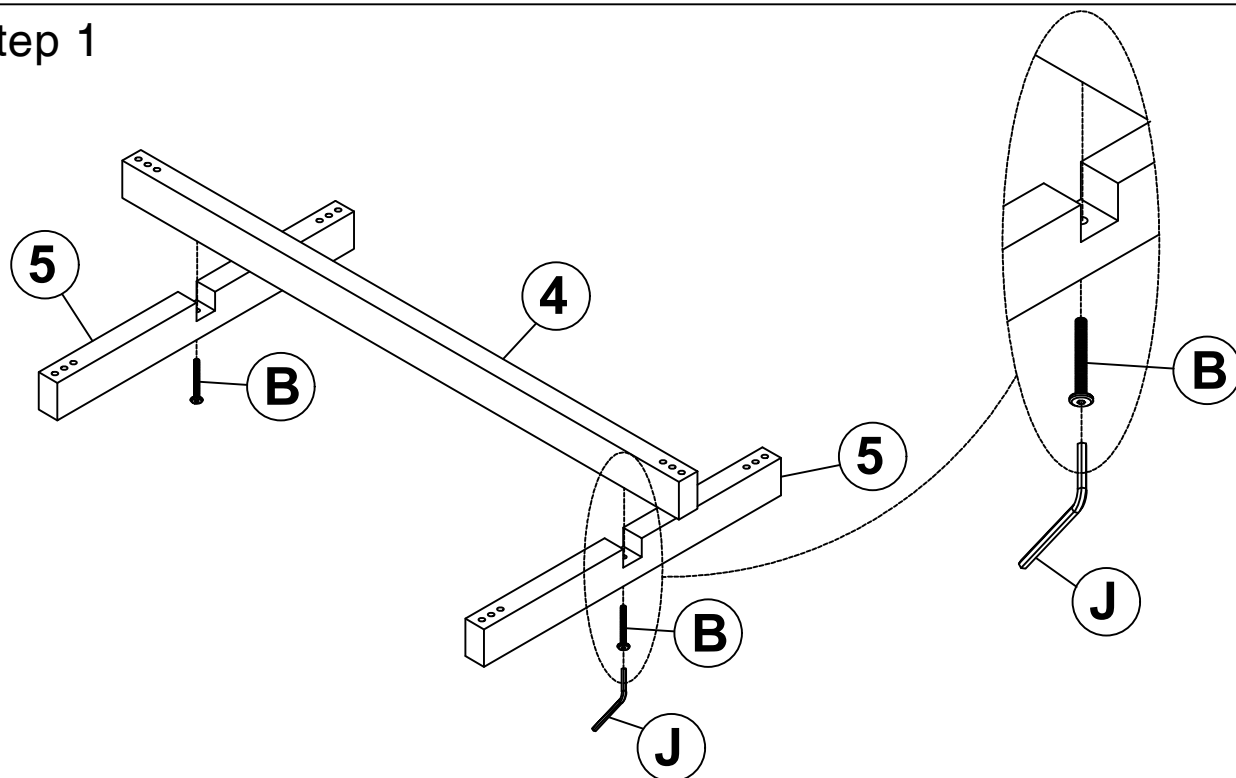
HARDWARE LIST

<p>A</p>  <p>Ø5/16" x 80mm BOLT (6pcs)</p>	<p>D</p>  <p>Ø10" x 30mm WOODEN PEGS (24pcs)</p>
<p>B</p>  <p>Ø5/16" x 50mm BOLT (2pcs)</p>	<p>E</p>  <p>ADJUSTABLE FEET (4pcs)</p>
<p>C</p>  <p>Ø5/16" x 35mm BOLT (14pcs)</p>	<p>J</p>  <p>4 x 58mm ALLENKEY (1pc)</p>



ASSEMBLY TOOLS REQUIRED (NOT INCLUDED)

Step 1

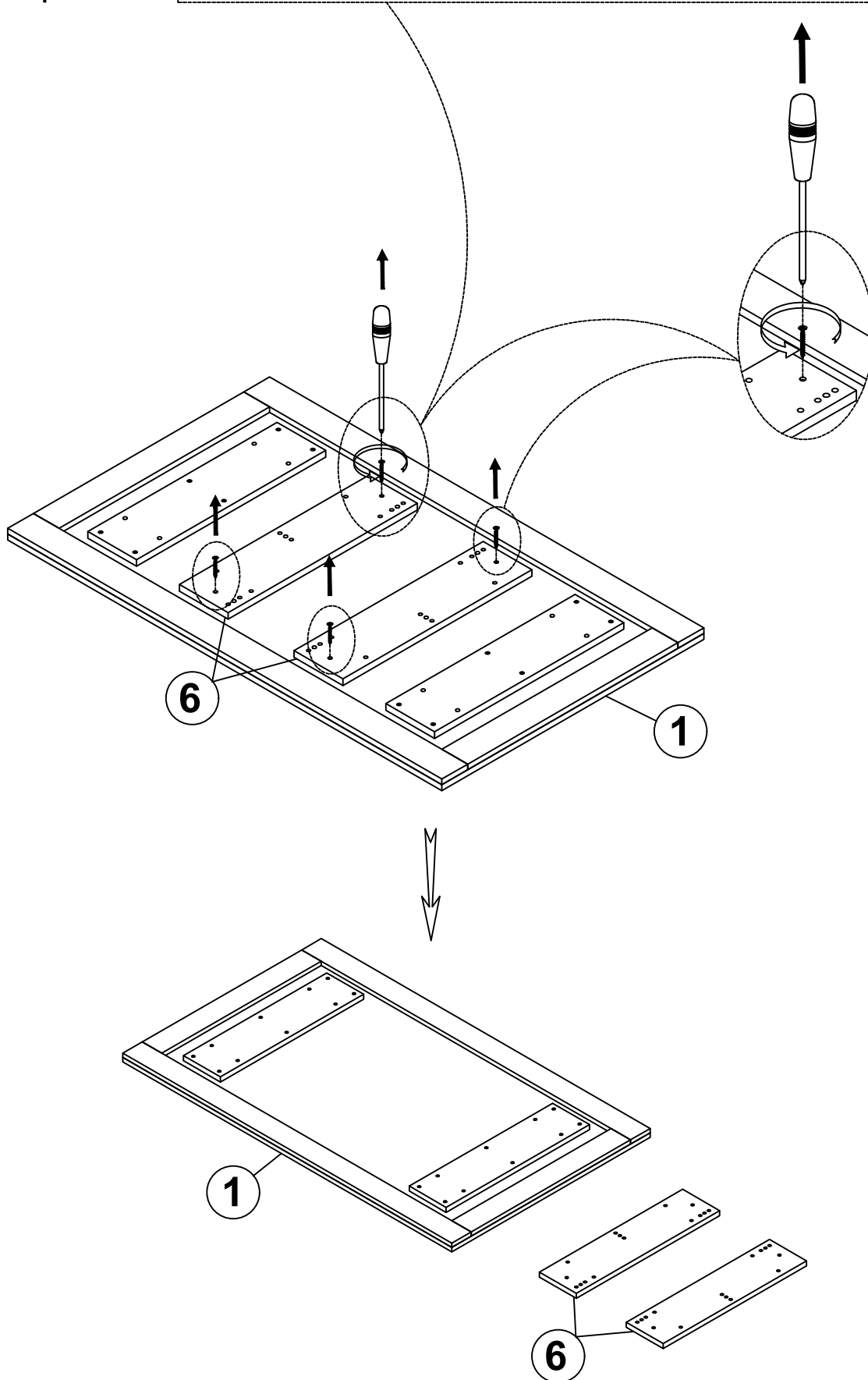


<p>J</p>	<p>4x58</p> 	<p>1PC</p>	<p>B</p>	<p>5/16x50</p> 	<p>2PCS</p>
-----------------	---	------------	-----------------	--	-------------

ASSEMBLY INSTRUCTIONS

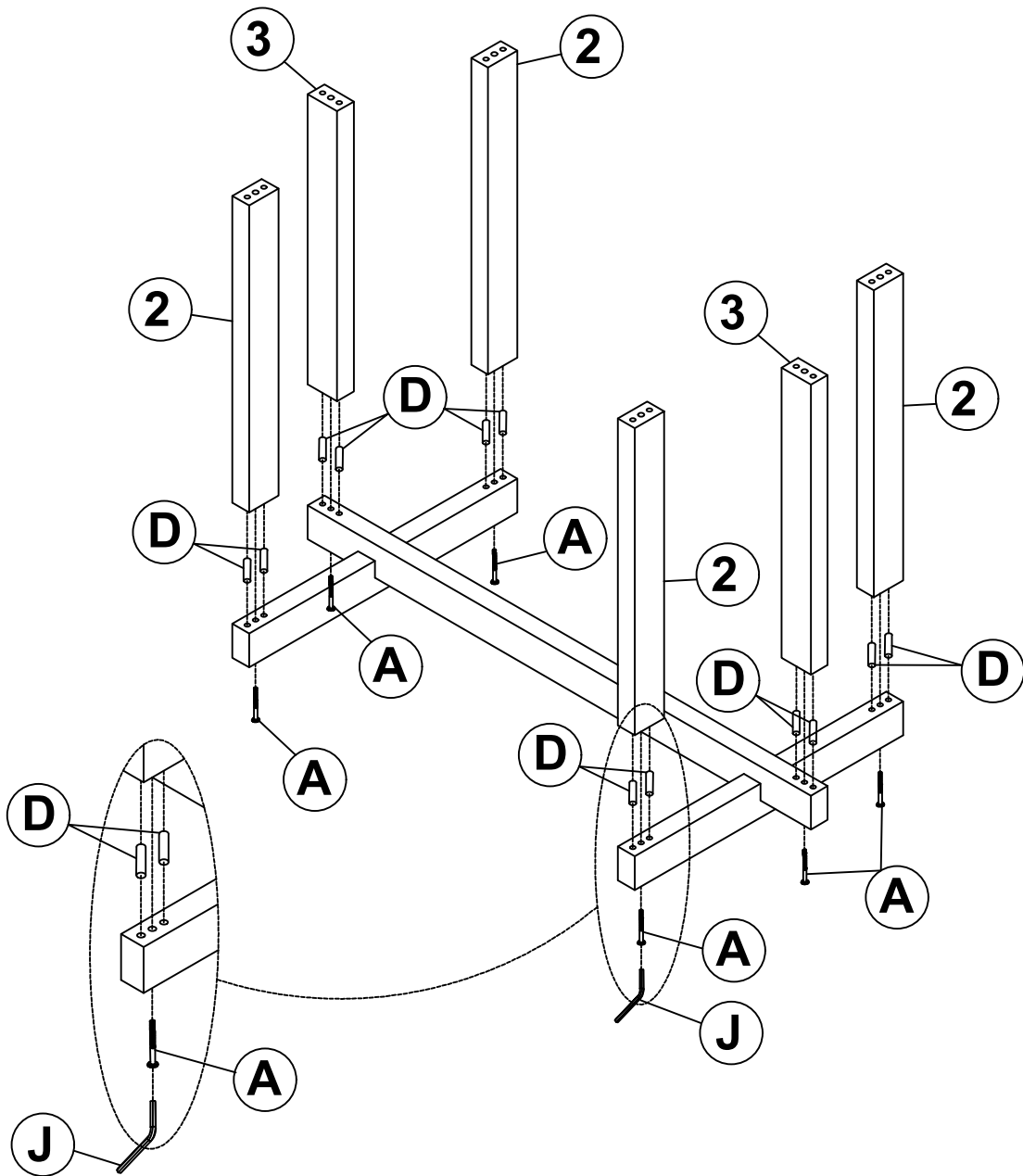
Step 2


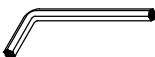

Note : Unscrew the screws in this position and use number 6 for assembly.



ASSEMBLY INSTRUCTIONS

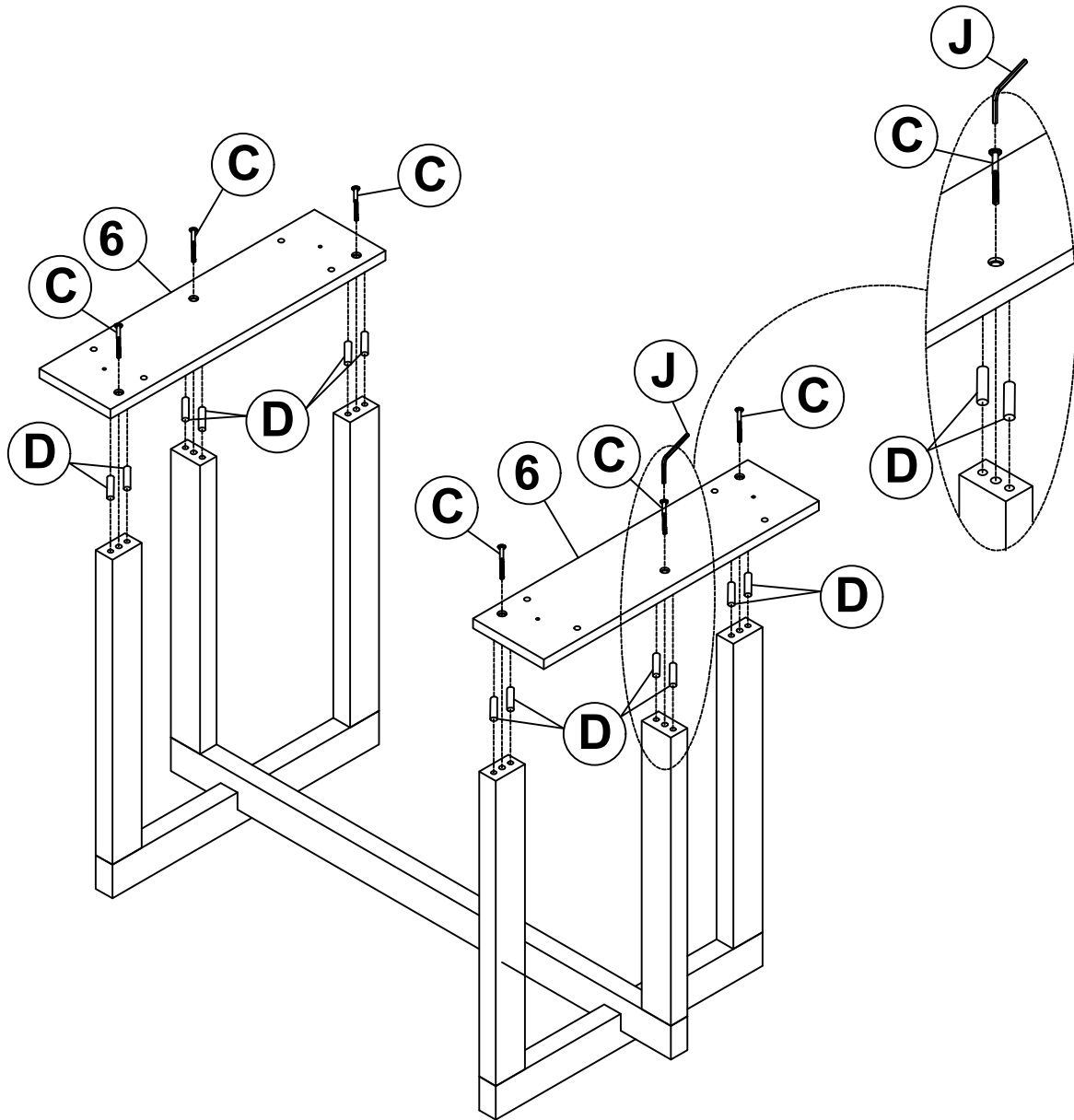
Step 3






				D	Ø10x30		12PCS
J	4x58		1PC	A	5/16x80		6PCS

ASSEMBLY INSTRUCTIONS

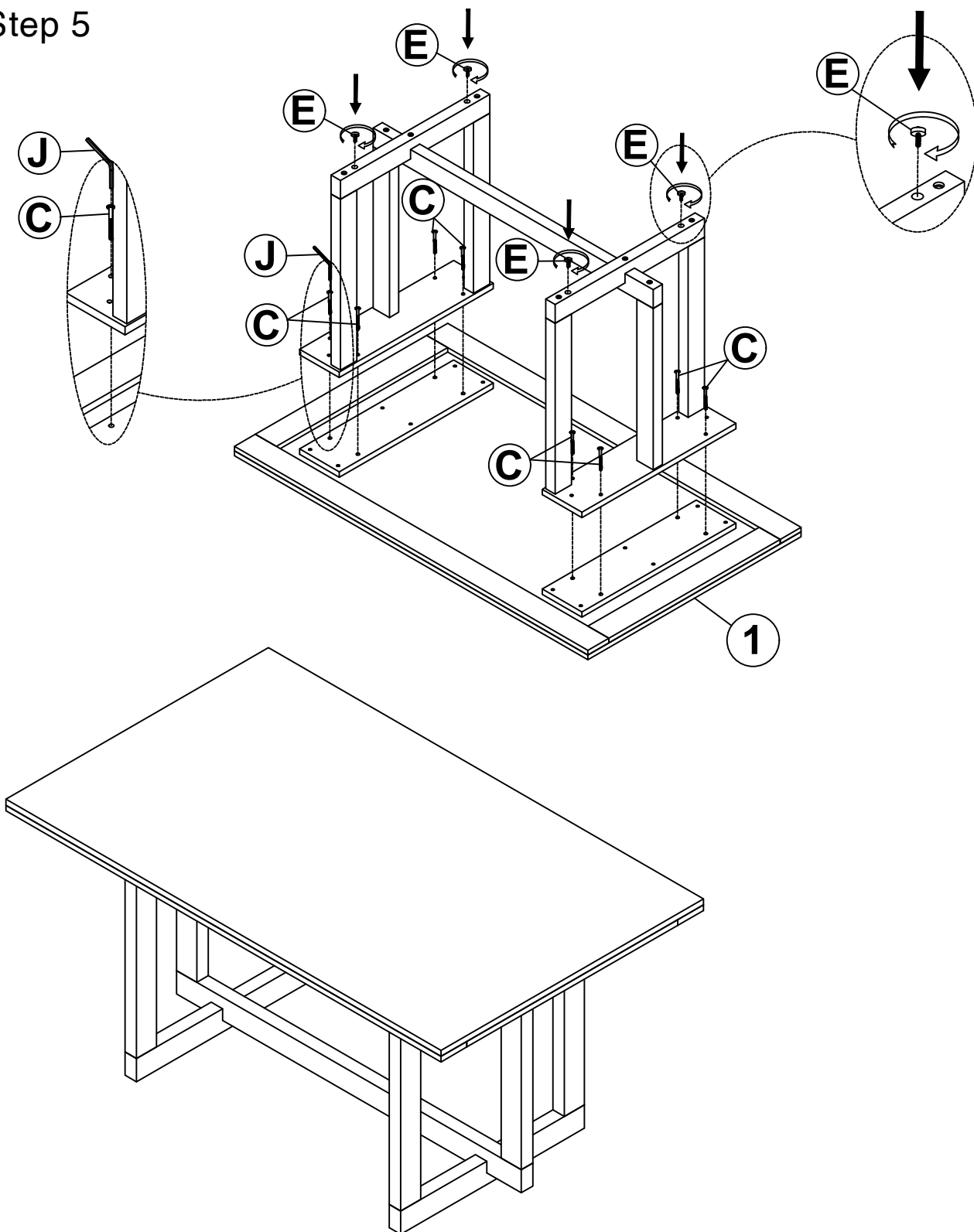
Step 4






J	4x58		1PC			
C	5/16x35		6PCS	D	Ø10x30	 12PCS

ASSEMBLY INSTRUCTIONS

Step 5



			E	1/4x25		4PCS	
C	5/16x35		8PCS	J	4x58		1PC