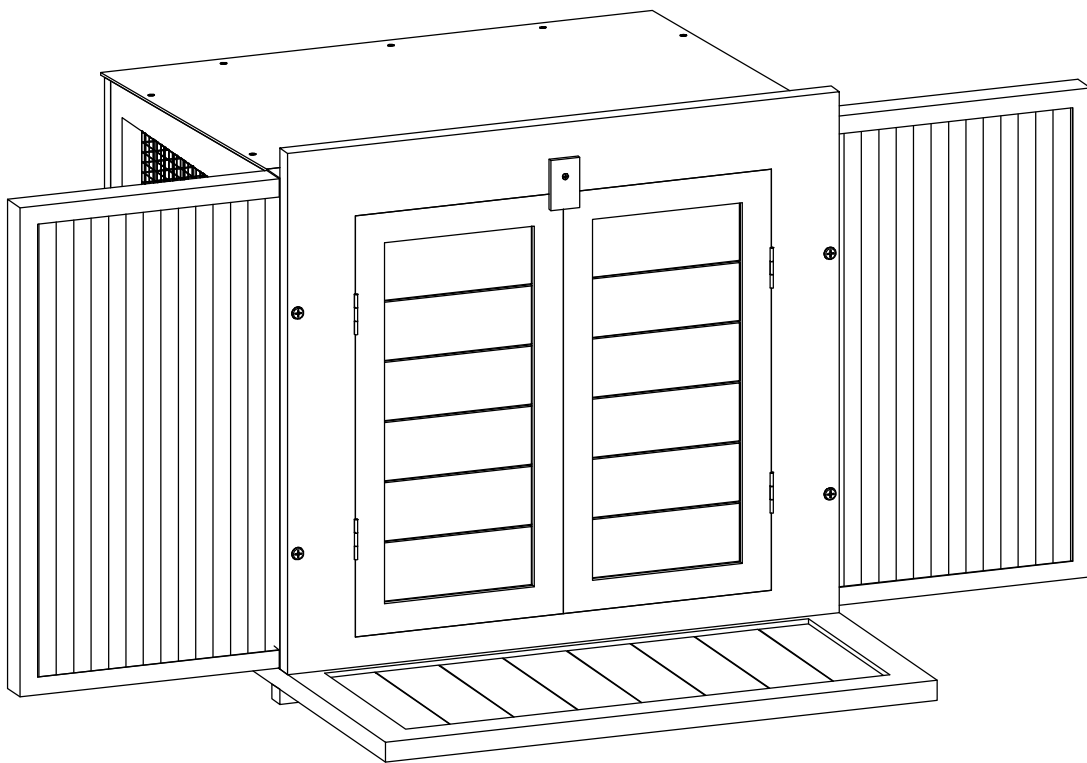
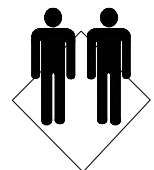


Assembly Instructions



**For faster assembly, an electric screwdriver can be used
In order not to damage the product, do not use too much
torque on the power tool during assembly.**



ASSEMBLED BY 2ADULTS

Disclaimers






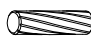










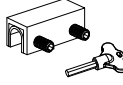
1. Do not install unless your window and the Cat solarium unit are fully intact and in proper working order.
2. Unit should be installed on the first floor for safety.
3. ***DO NOT OPEN THE WINDOW WHEN THE UNIT IS INSTALLED.***

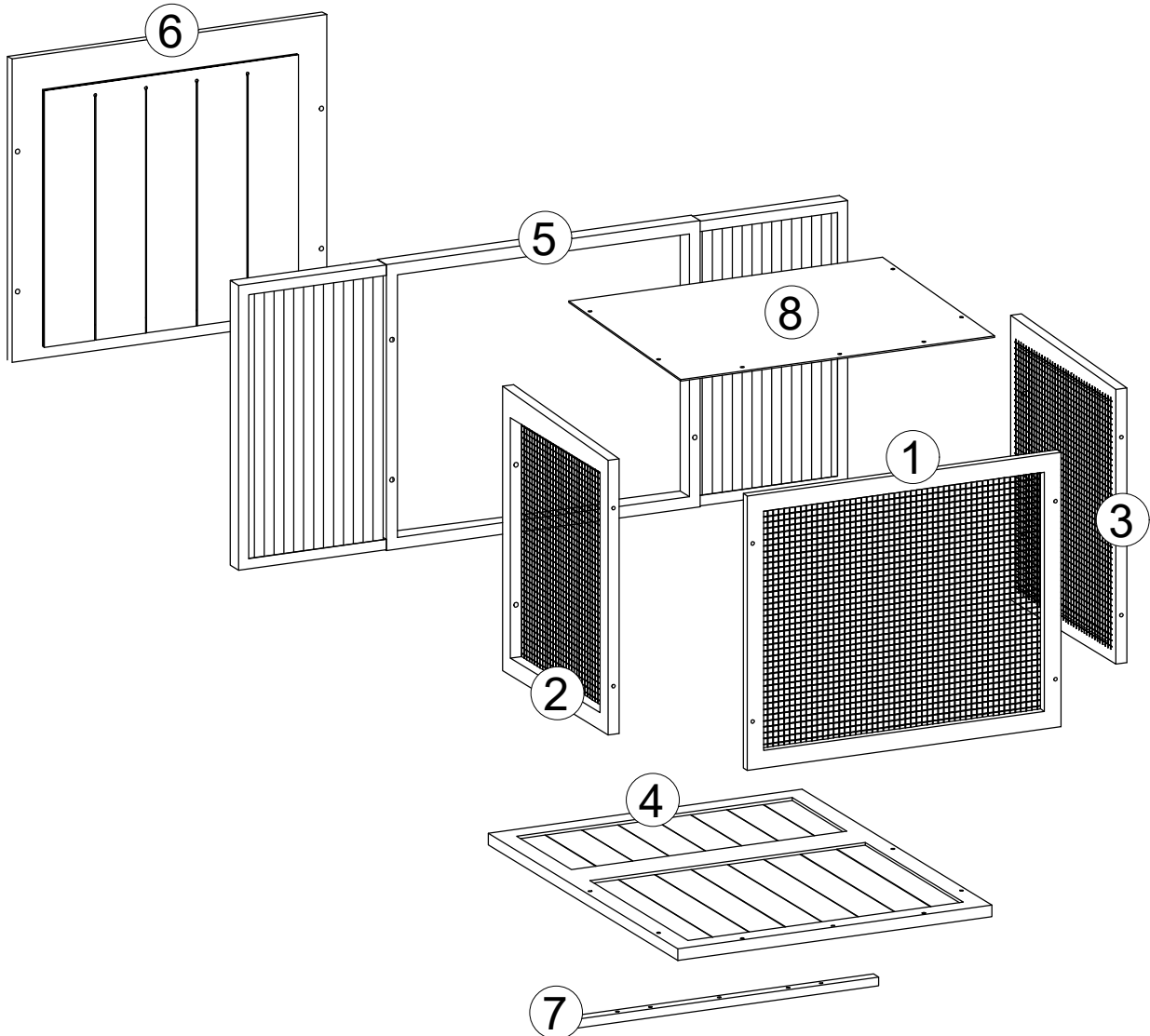
We include window security locks. Please use these or another method to secure the unit and ensure the window cannot be easily opened when the Cat Solarium unit is installed in the window resulting in an accidental fall.

This also provides security from unwanted entry into the home through the window while the solarium is in use.

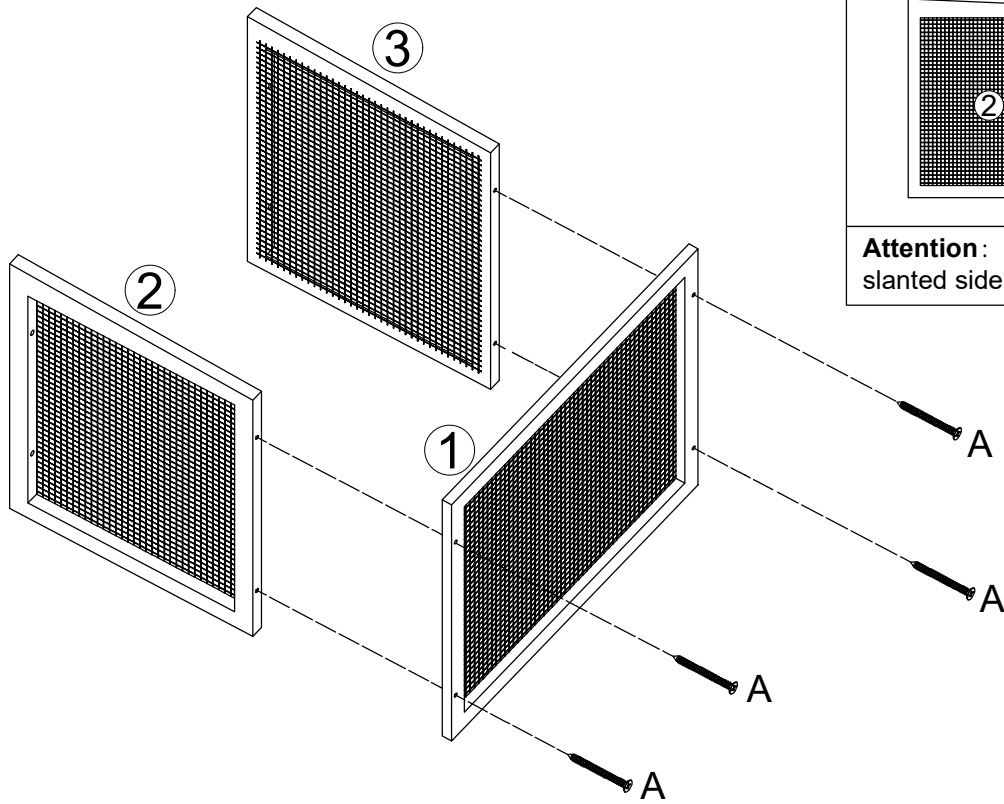
4. It is recommended that consumers take all necessary safety precautions while installing and removing the unit, including carefully following the included installation guide.
5. Only intended for use with house cats.
50LBS weight capacity.
6. Before installation of the Cat Solarium please be sure to review & follow all your local and state codes, including stipulations on emergency egress.

Hardware List

ITEM	PART	QTY	ITEM	PART	QTY
A	 M3.5x40	11+2PCS	B	 M3.5x35	3+1PCS
C	C1:  C2:  C3:  M3x16	C1: 7+1PCS C2: 7+1PCS C3: 7+1PCS	D	 Φ8x30	2+1PCS
E	E1:  M6x90 E2: 	4+1PCS	F	F1:  M3x25 F2: 	F1: 1+1PCS F2: 1PC
G		1PC	H		1PC
I		1PC	J		1PC
K	 	8+2PCS	L		2PCS



1

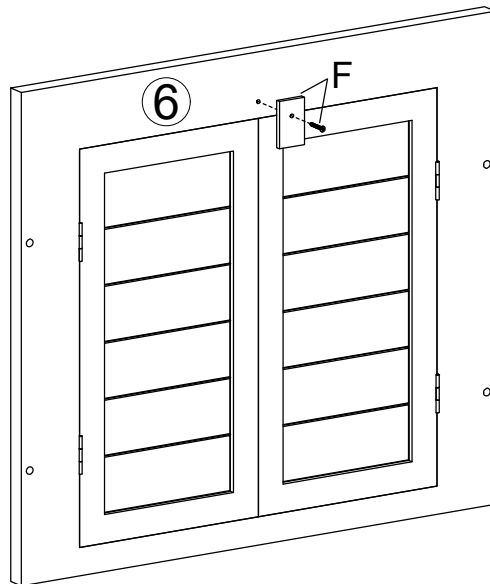


Attention: Part#2& Part#3, slanted side facing upwards

Attach Part#1 to Part#2 and Part#3 with screws Ax4 as shown.



2

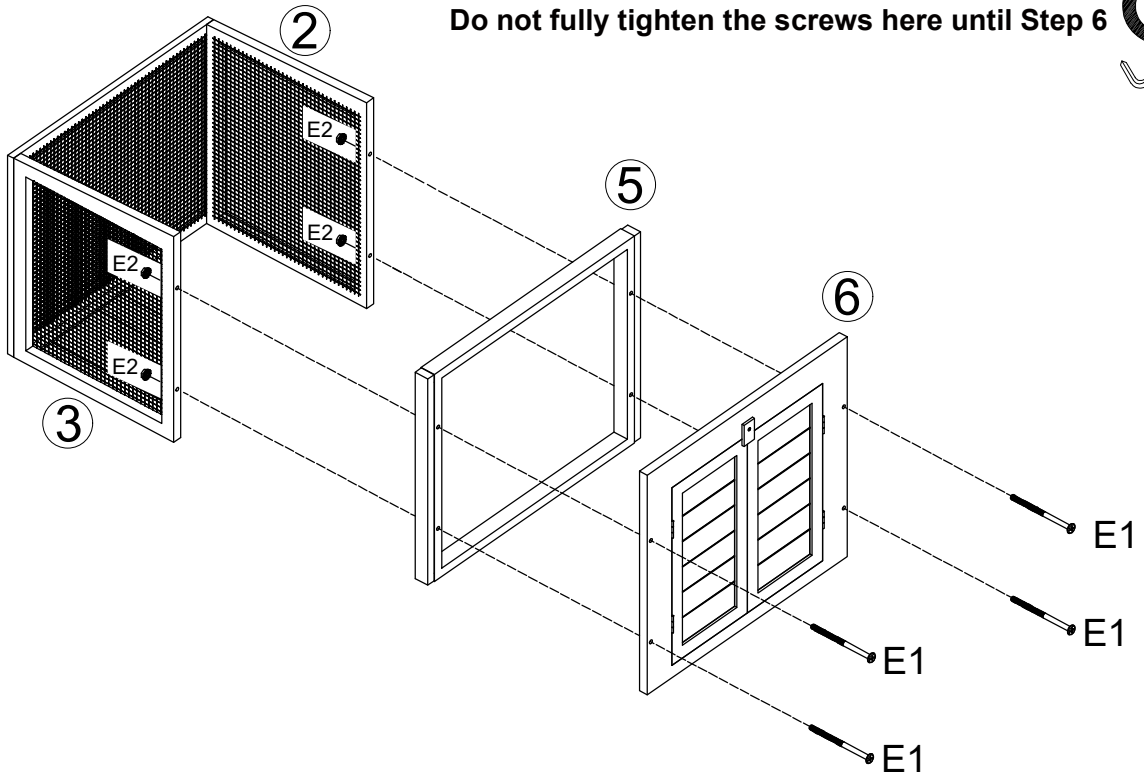


Attach Door Lock Part F to the Door Part#6 with screw as shown.
Do not fully tighten the door lock which will need to move when in use.

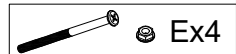


3

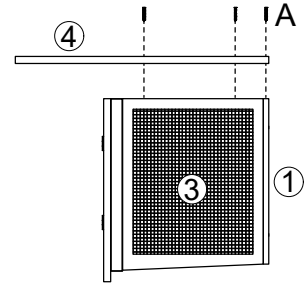
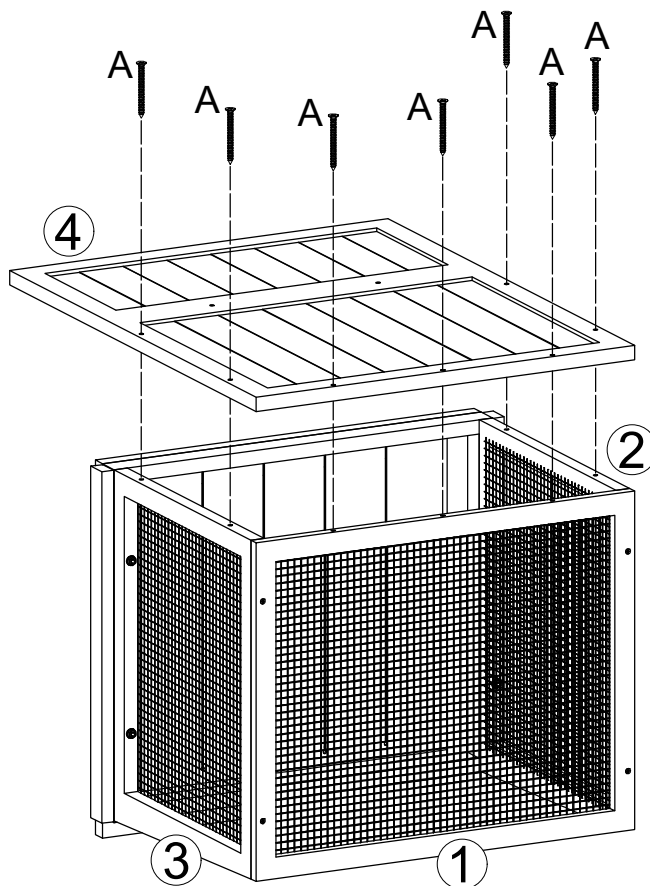
Do not fully tighten the screws here until Step 6



Attach Part#5 and Part#6 to the assembled unit from Step 1 with screws E(E1+E2)x4 as shown.



4

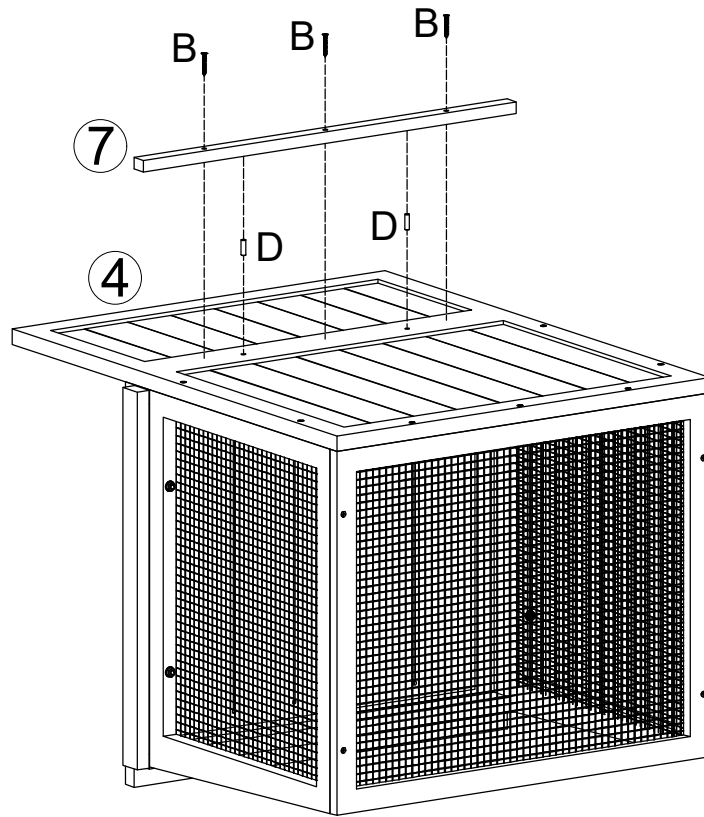


Attention: Part#2& Part#3, slanted side facing downwards and level side on top

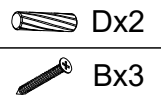
Turn the assembled unit from Step #3 upside down.
Attach bottom Part#4 to the unit with screws Ax7 as shown.



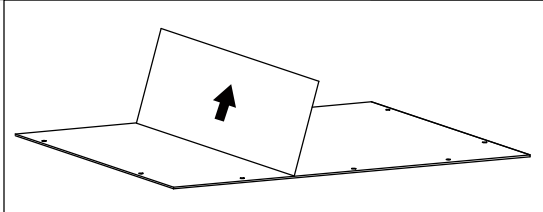
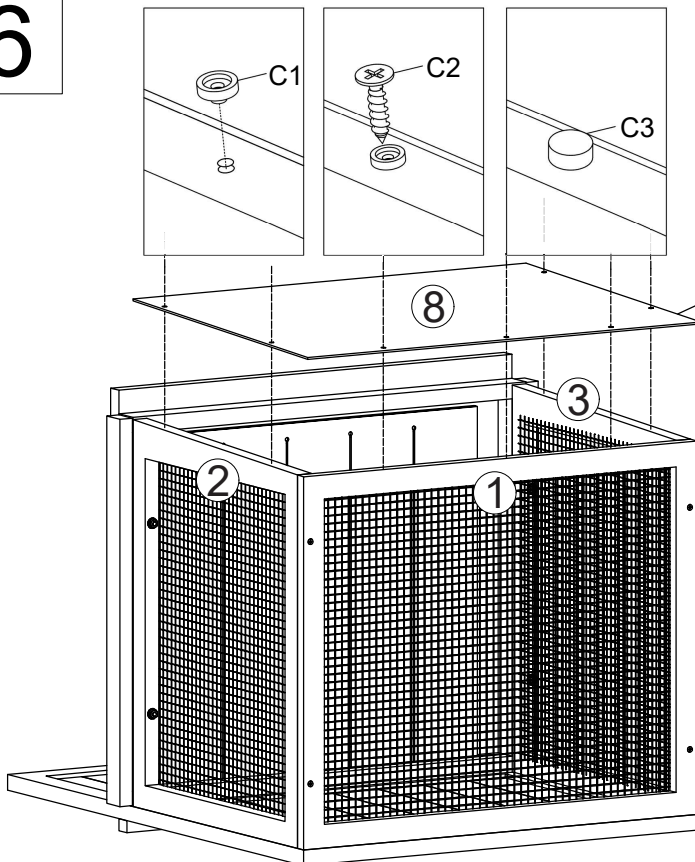
5



Attach the window sill bar (Part #7) to the bottom with dowel Dx2 and Bx3 as shown.



6



Peel off the protective film on both sides

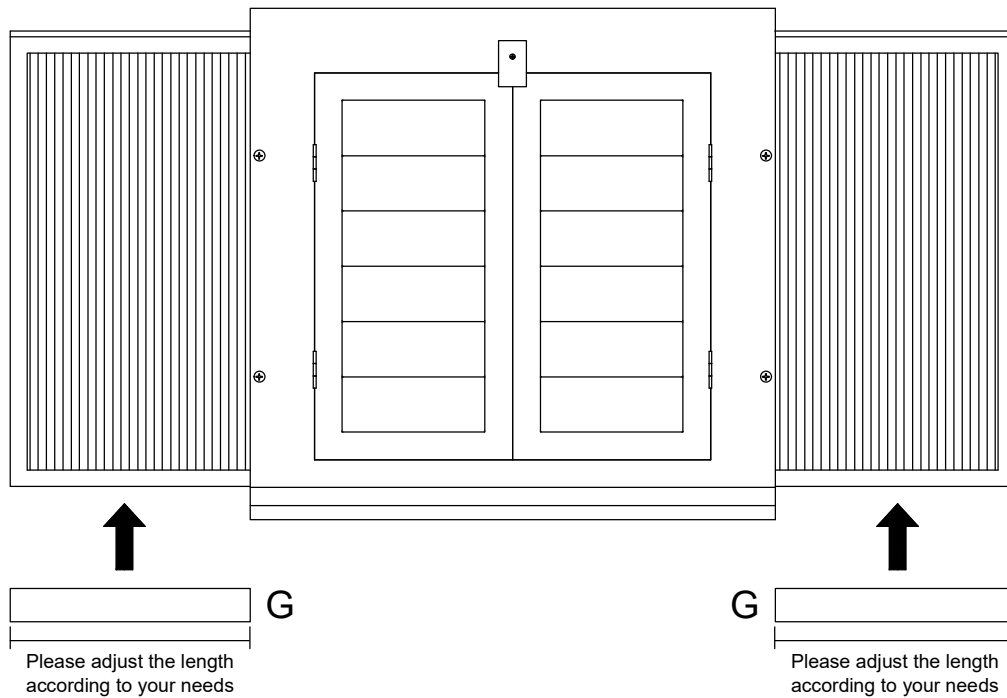
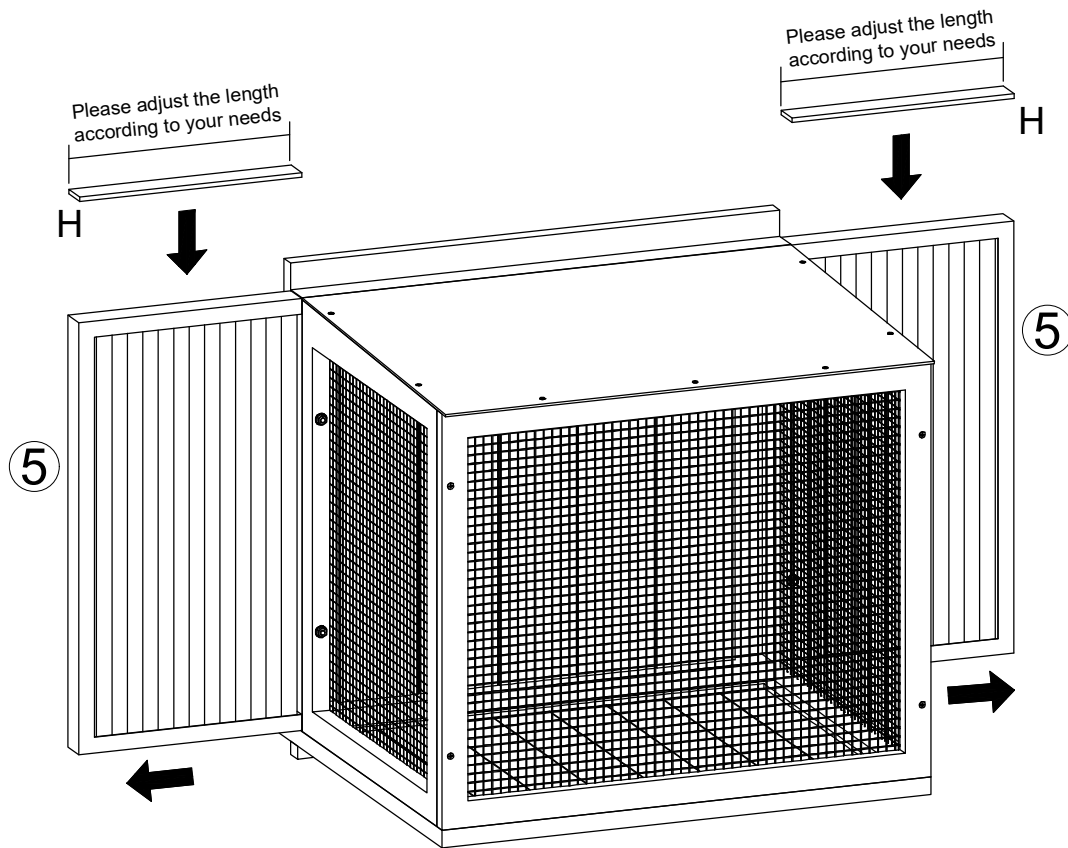
Fully tighten all screws E from Step #3



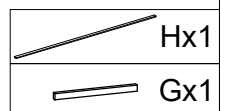
Turn assembled unit back to right side up position, and attach top Part#8 to the unit with screws Cx7 as shown.



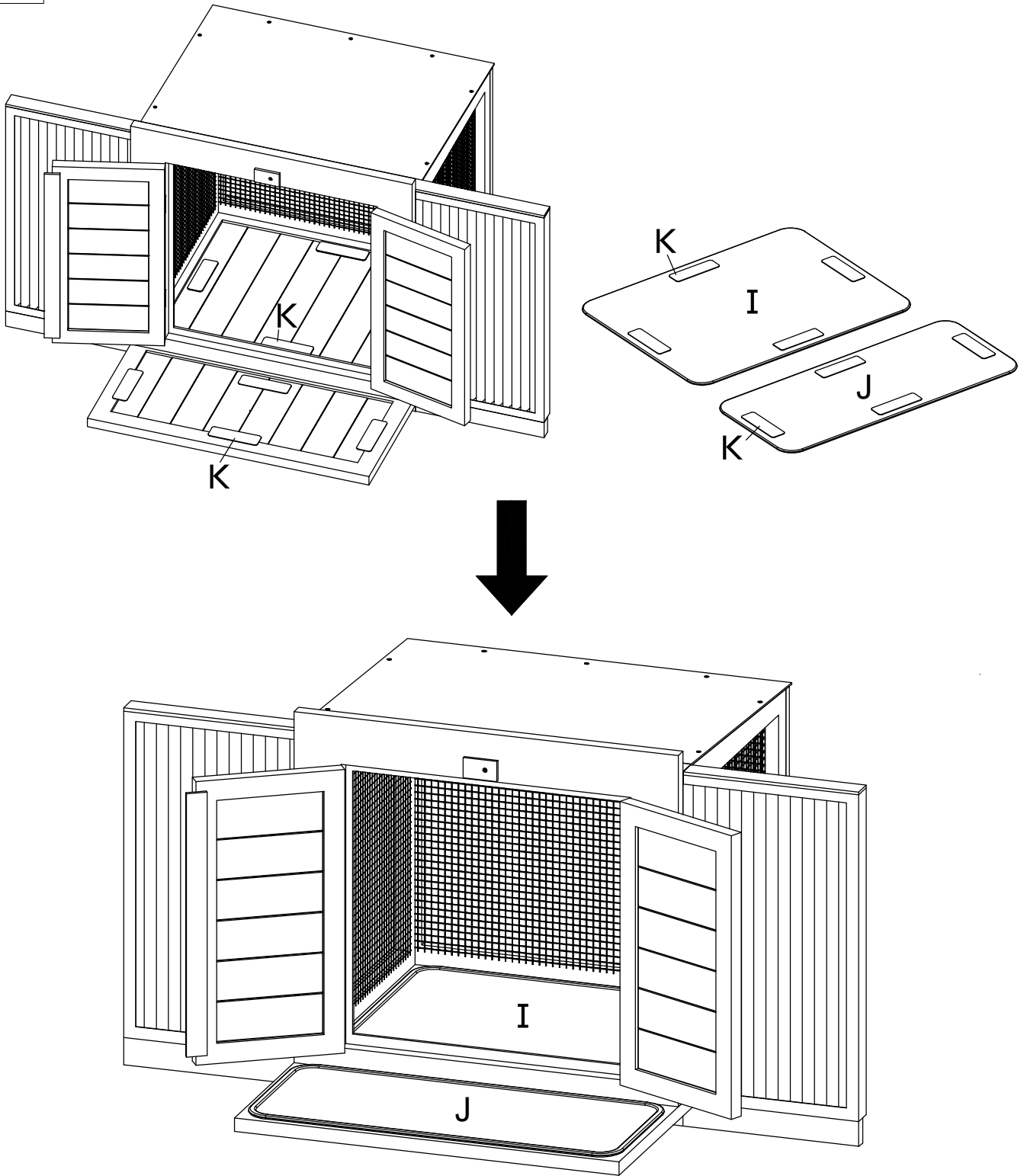
7






Side Panels can be adjusted to fit your window width to keep cold air/hot air from escaping. We also provide EVA strips to prevent air leakage in gaps. You can cut and use them as needed.



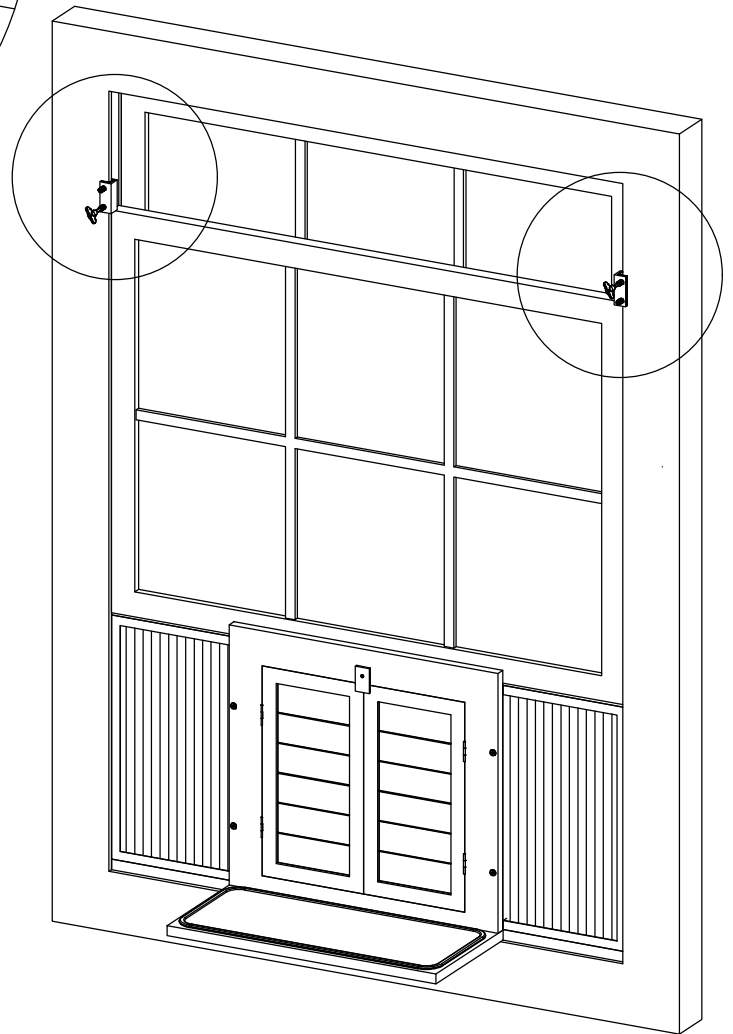
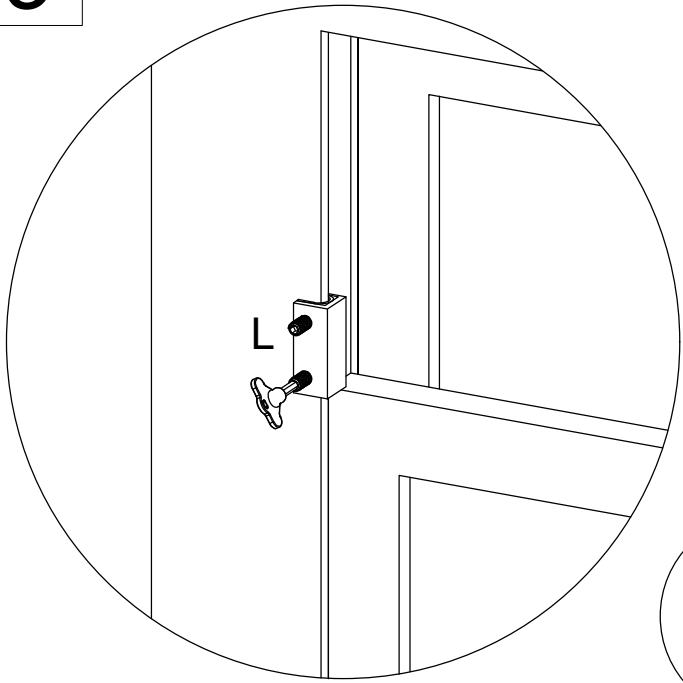
8



For your cat's comfort while using the unit, we also include two mats. You can put Part #I and Part #J with stickers Kx8 as needed in positions shown in diagram.

- | | |
|---|-----|
|  | Ix1 |
|  | Jx1 |
|  | Kx8 |

9



The safety of cats comes first, so we have equipped the unit with extra two window locks (Part#L) to prevent the windows from being opened unnecessarily.

