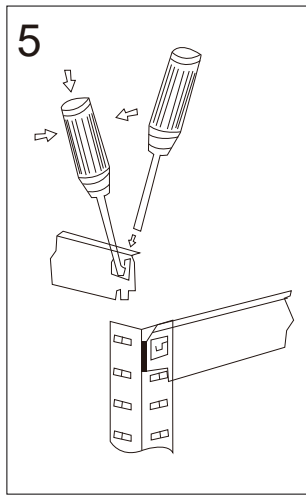
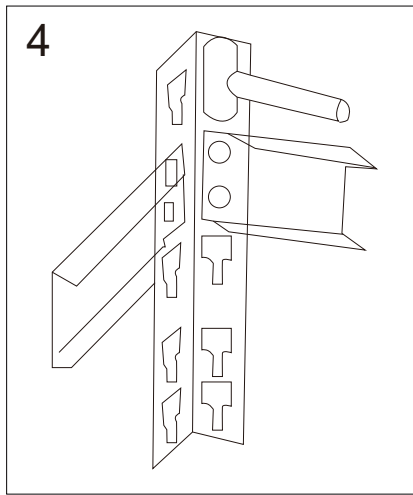
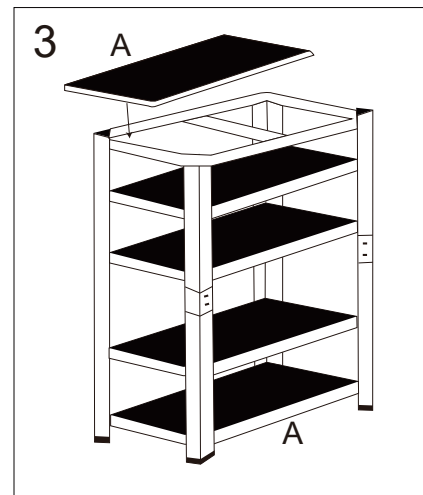
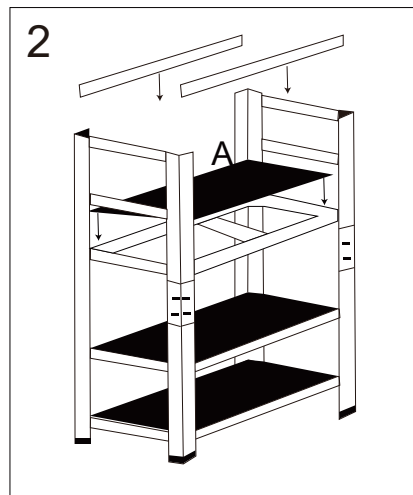
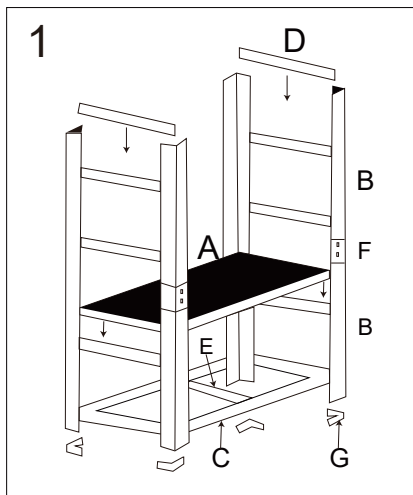


User manual-Heavy duty shelf 175KG

Assembly instructions



A		5X	F		4X
B		8X	G		8X
C		10X	H		2X
D		10X	I		Tool is not included in product
E		5X	J		Tool is not included in product

In case the guide moves, insert a screwdriver into the notch and bend it toward the opposite direction to open it. The maximum load of 175KG per shelf must be uniformly distributed across the shelf. The load must be evenly distributed on the shelves in order to avoid damages to the particleboard.

The shelf is not suitable for use in areas with high humidity, which could cause damages to the particleboard.

Attention! Never exceed the maximum shelf load or the maximum load of the complete shelf array (see instructions on packing or shelf.) In order to increase stability, we recommend anchoring the shelf to a wall.

1. Please read the tips and safety instructions carefully, prior to installation.

2. Remove all packaging material. Check all components for completeness (see list of components).

3. **Attention:** Check product for transport damages prior to assembly. We are not liable for any damages on the assembled product!

4. In order to avoid scratches, assemble this product on clean and even surface (i.e. a carpet).

5. Please use a rubber hammer in order to avoid damaging the paint.



Pay Attention