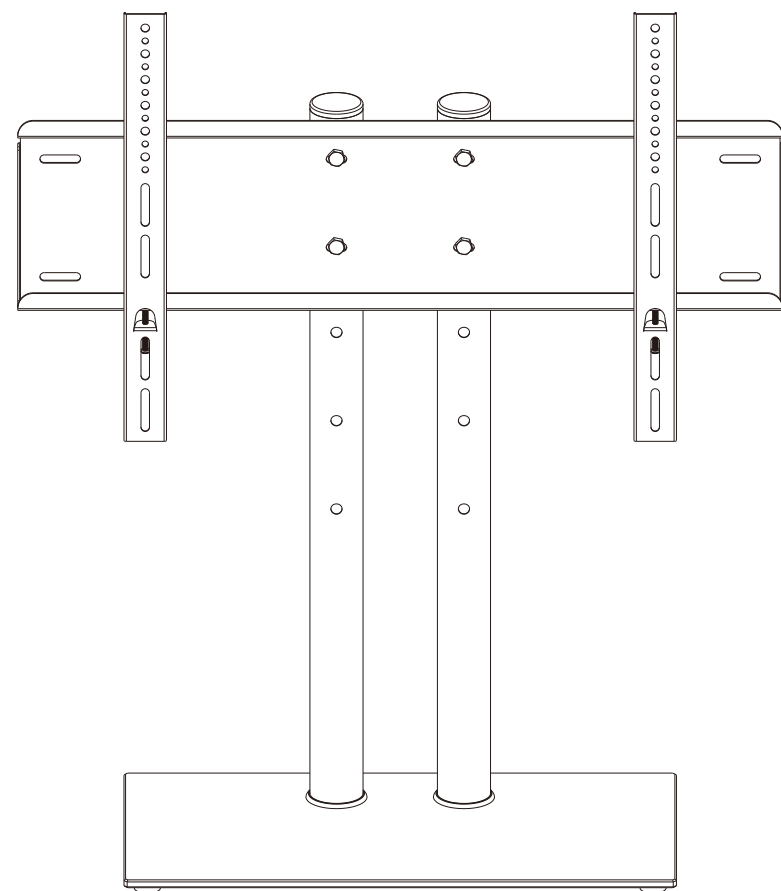


leadzm

TV STAND

TSD900



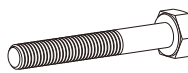



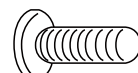

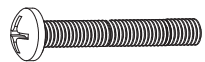

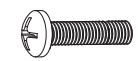
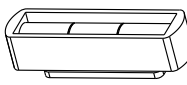
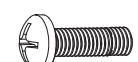

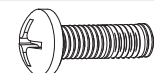

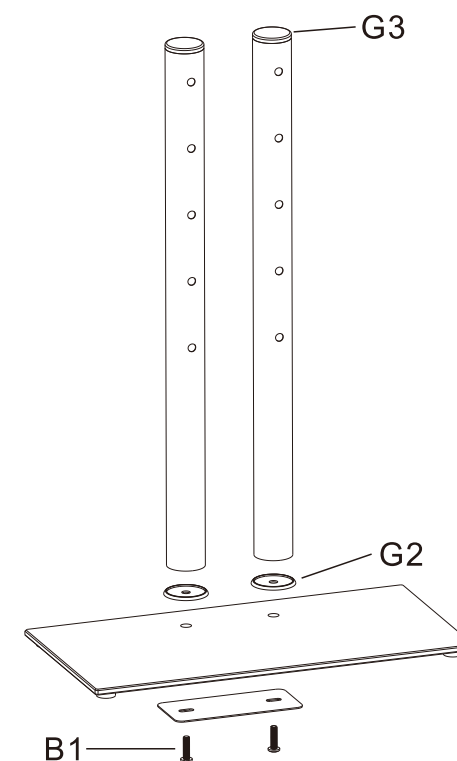
A1	 8x60mm	4PCS	F1	 8x20mm	4PCS
A2	 8mm	4PCS	F2	 8x14x1mm	4PCS
B1	 8x40mm	2PCS	F3	 8x18x1mm	4PCS
B2	 8x40mm	2PCS	G1	 8x18x5mm	4PCS
C	 5x35mm	4PCS	G2	 1PCS	1PCS
D	 4x16mm	4PCS	G2	 2PCS	2PCS
E	 6x16mm	4PCS	G3	 2PCS	2PCS

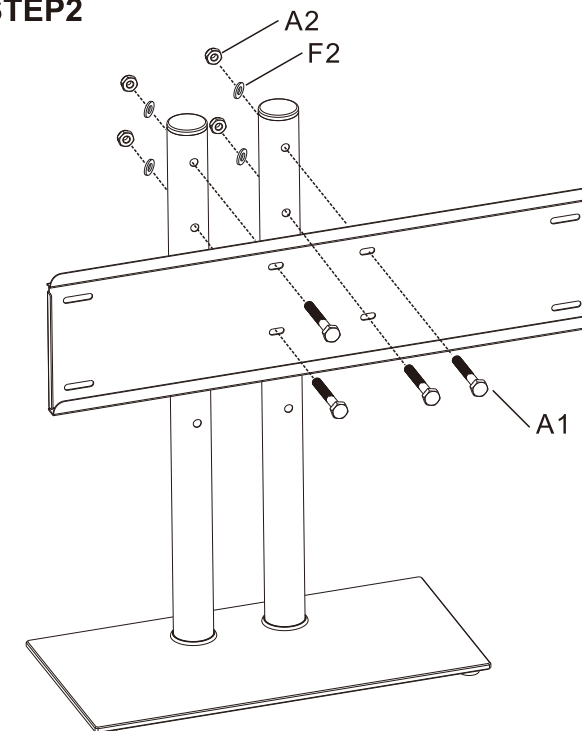
Table bracket installation instructions

STEP1



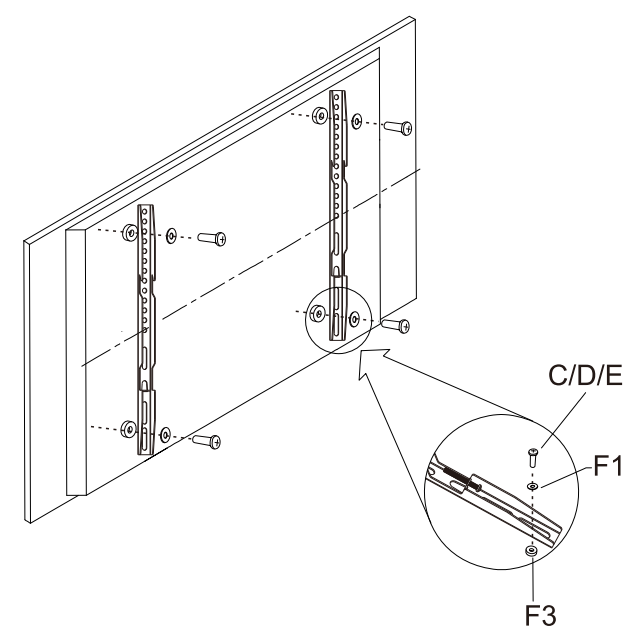
The first step: Line up the explosion-proof plate, chassis, and 2 gaskets, connect them to 2 columns with the connecting screws(B1).

STEP2



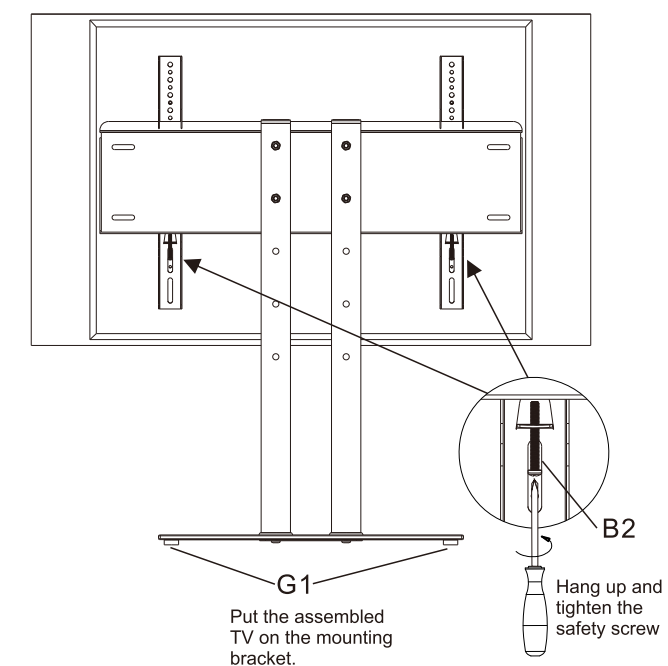
The second step: On the basis of the first step, install the hanging plate to the column by the four square screw holes (as the picture), put on the 2 dust covers (G3) on the top of the columns.

STEP3



The third step: Choose correct size of C screws according to your TV's screw hole size. Use the screws and spacers to install the 2 brackets on the back of the TV. Please don't mix up the hardwares such as F1,F3, you can find the corresponding hardwares on part chart.

STEP4



The fourth step: Attach the four black rubber feet(G1) to the four corners of the chassis. Install the TV brackets to the hanging plate, and install the safety screws.