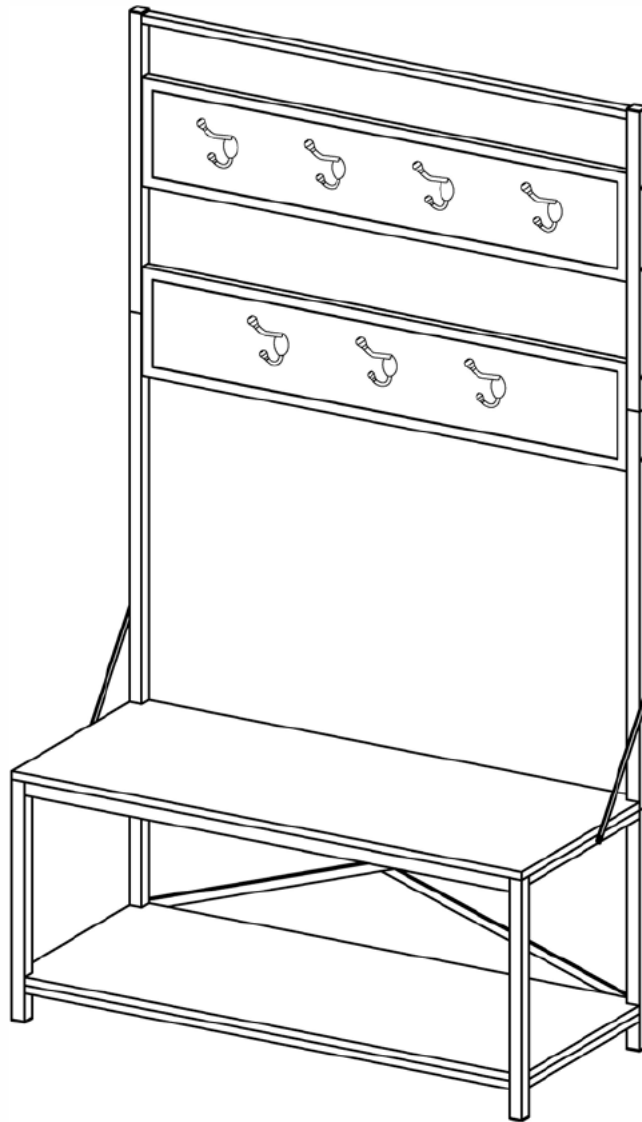
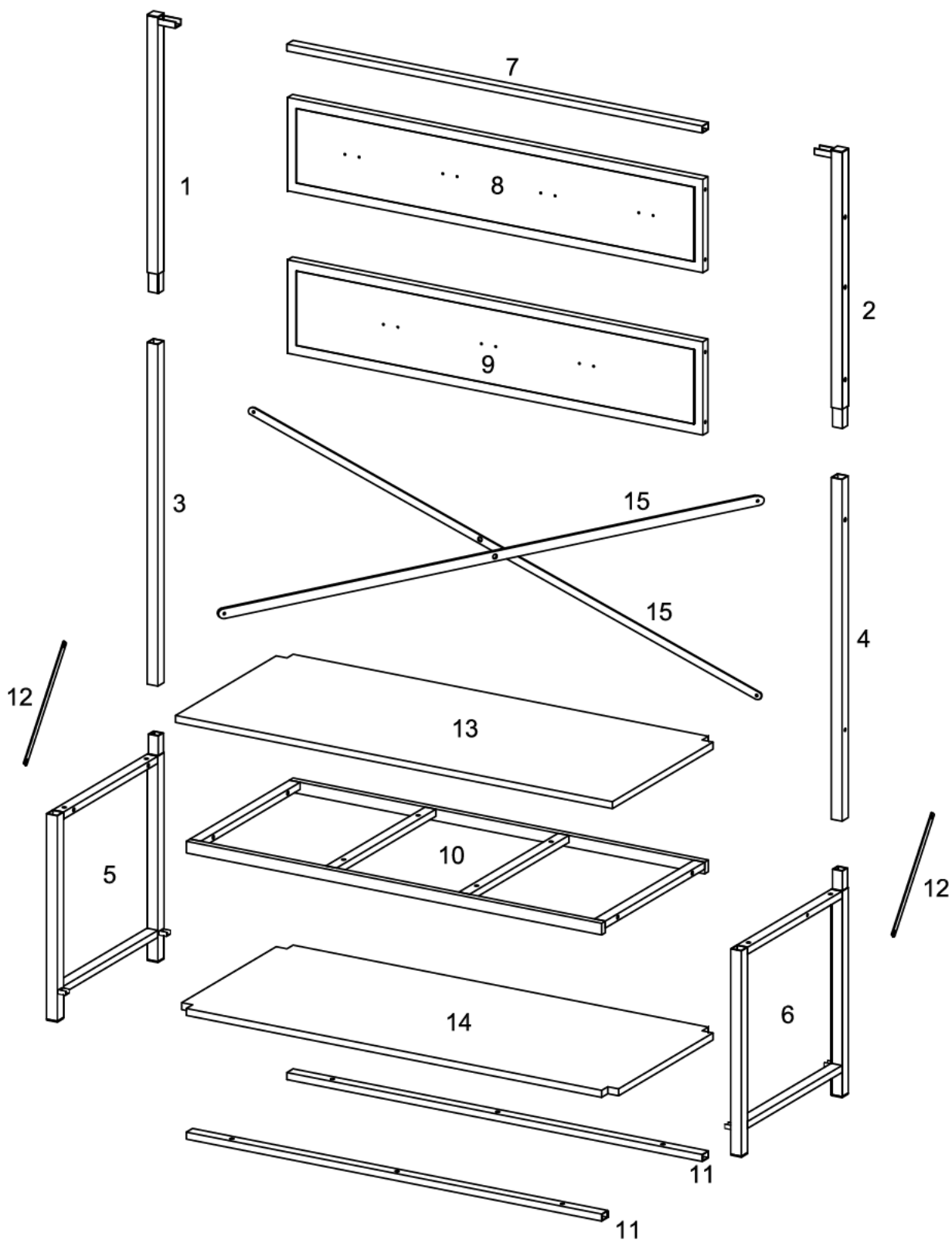


# Assembly Instructions



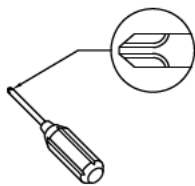
Revised 11/2017

# Parts List



# Hardware List

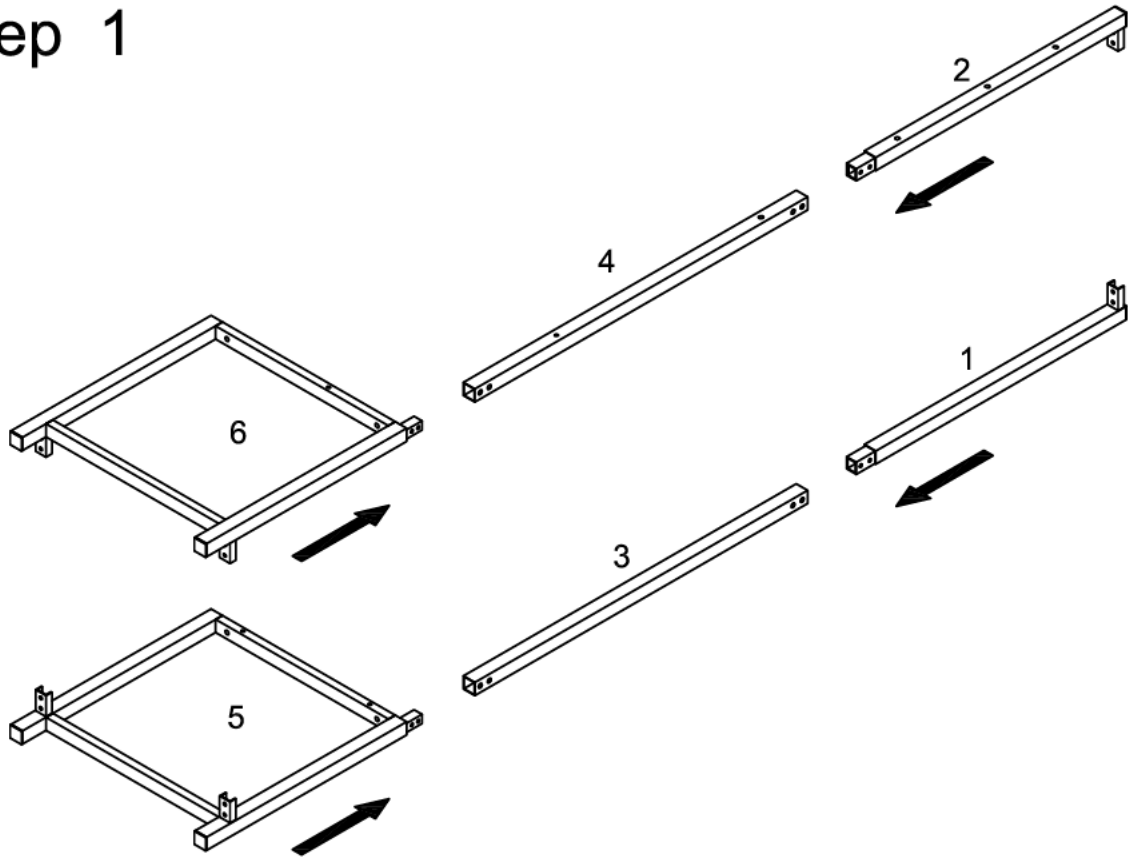
A		Ø1/4"*35mm	Bolt	12 pcs
B		Ø1/4"*25mm	Bolt	14 pcs
C		Ø1/4"*12mm	Bolt	24 pcs
D		M4*55mm	Wrench	1 pc
E		M4*12mm	Screw	4 pcs
F		M4*10mm	Bolt	1 pc
G		M4mm	Nut	1 pc
H			Angle iron	2 pcs
J			Wall anchor	2 pcs
K			Screw	2 pcs
L		Ø16*6.5*1.0mm	Washer	2 pcs
M			Wrench	1 pc
N			Hook	7 pcs



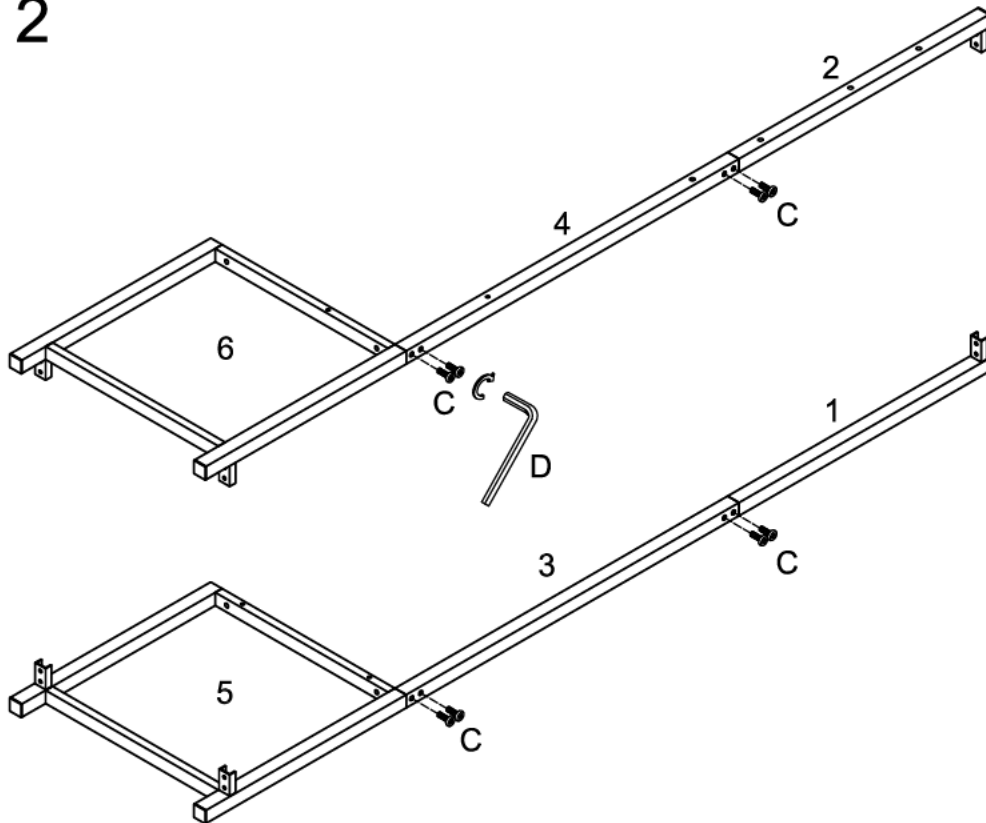
Philips head screwdriver required for assembly  
(not included)

*The hardware quantities listed above are required for proper assembly.  
Some extra hardware may also have been included.*

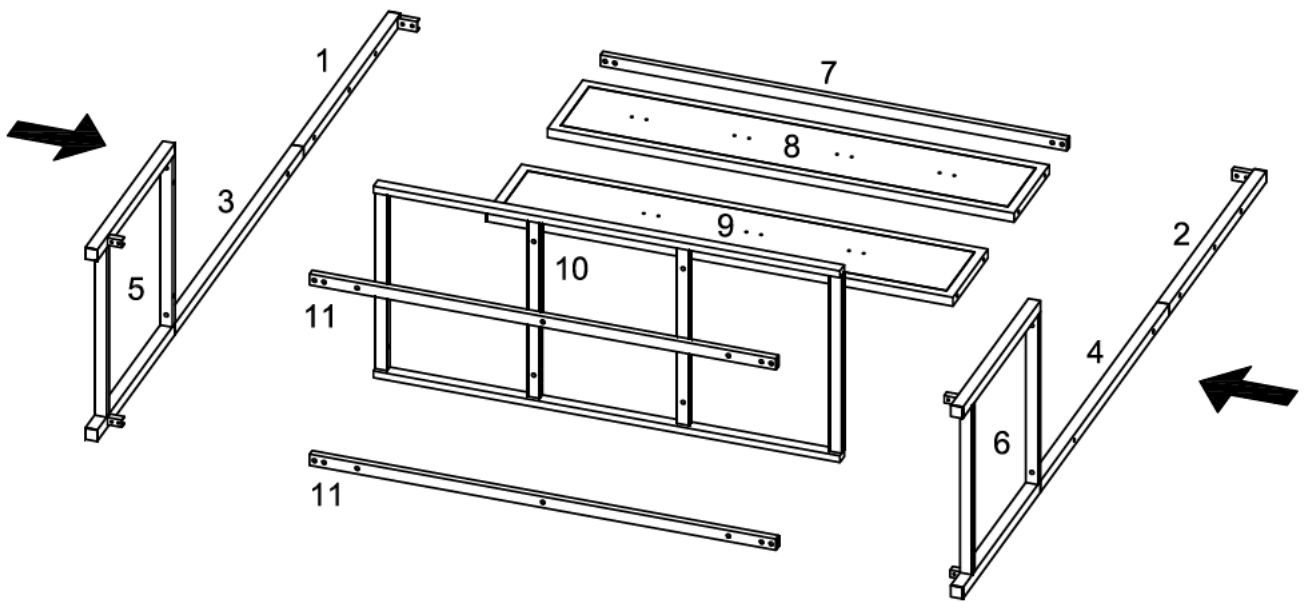
# Step 1



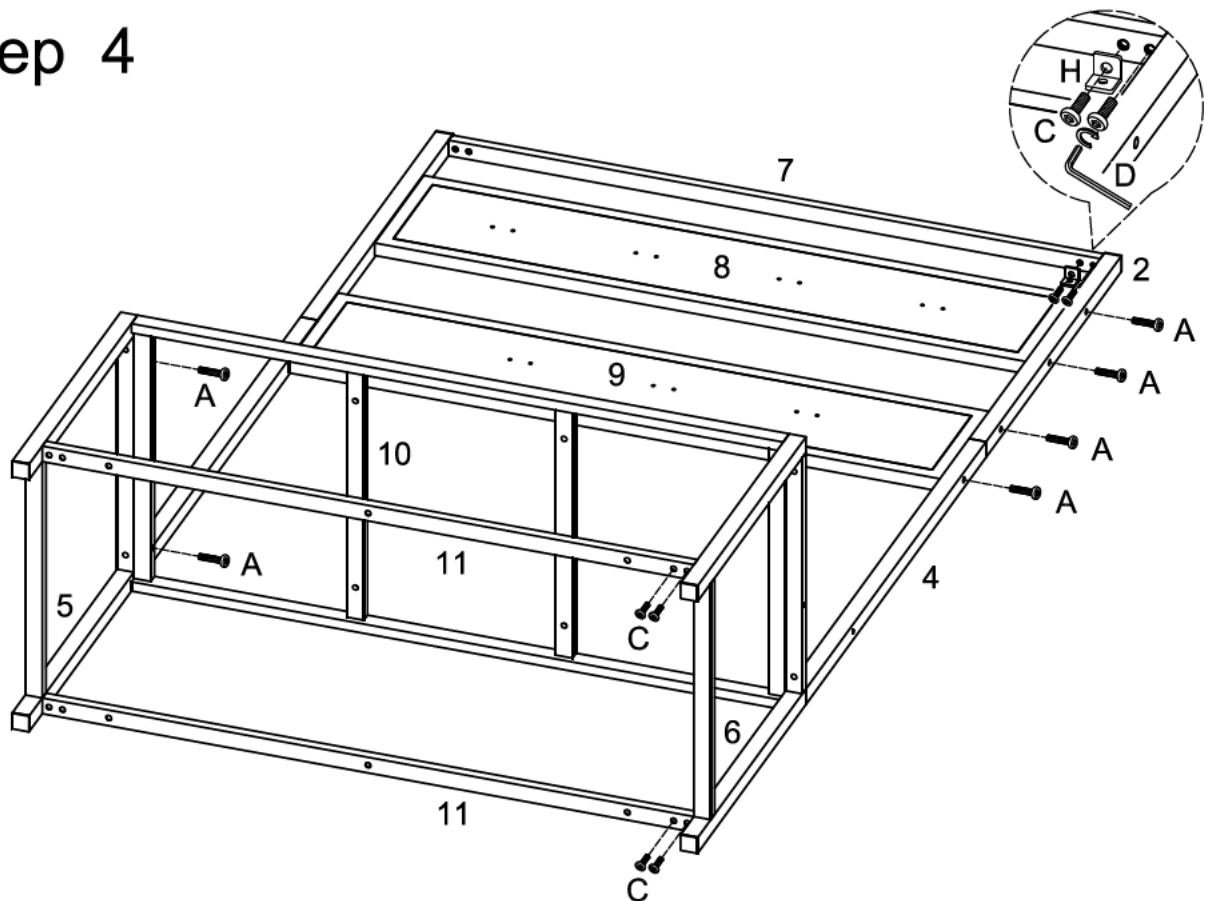
# Step 2



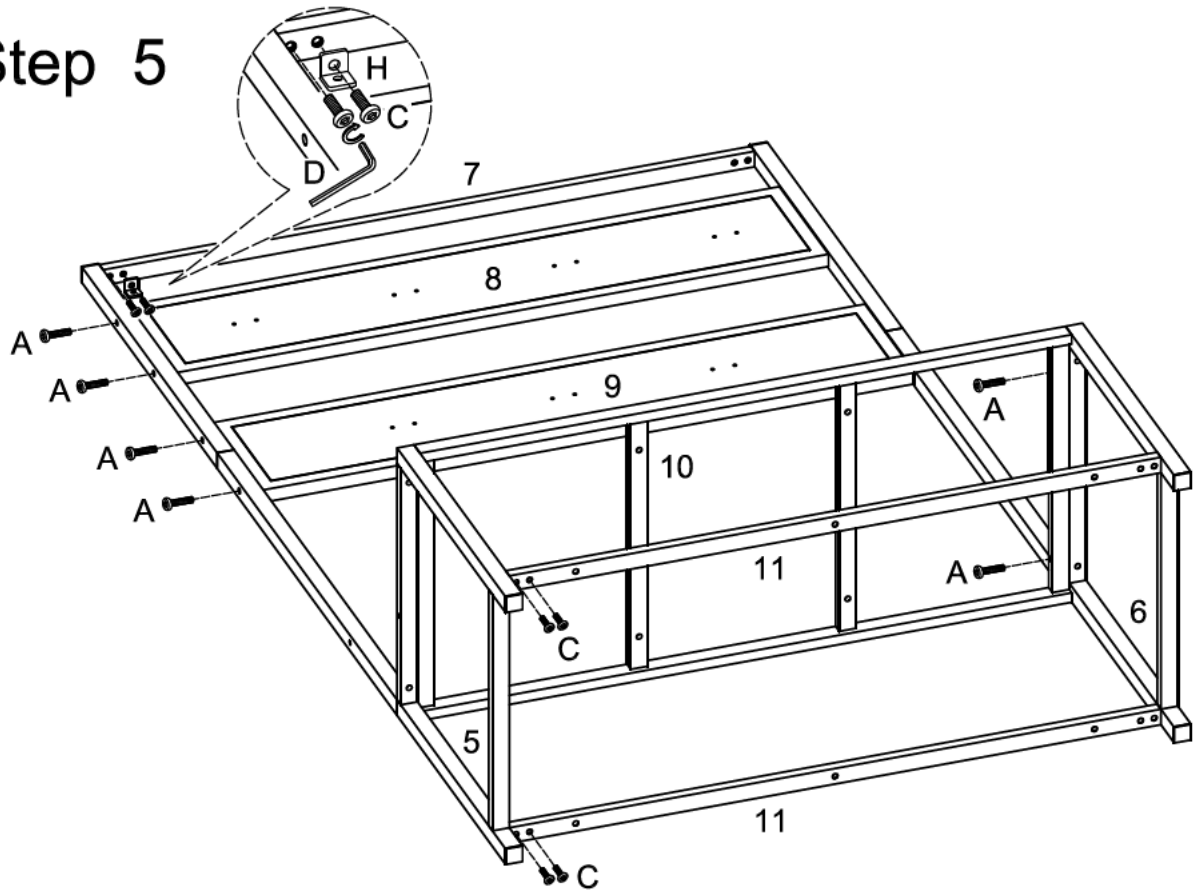
# Step 3



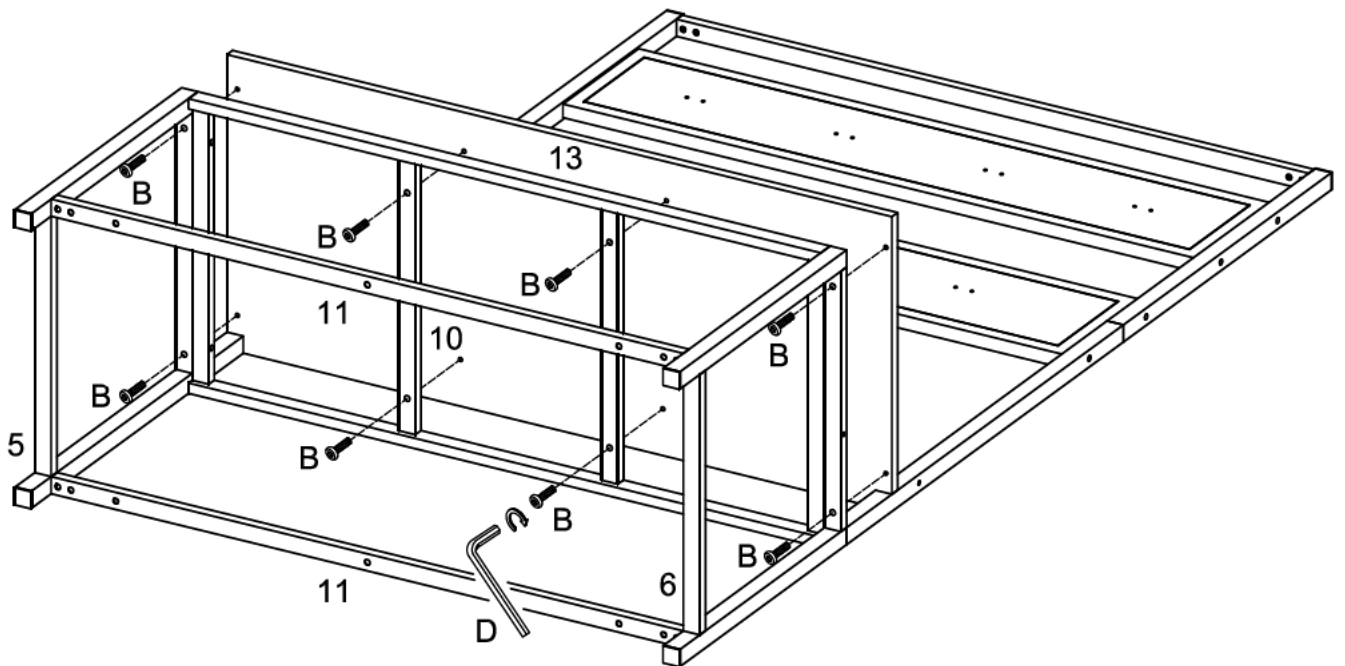
# Step 4



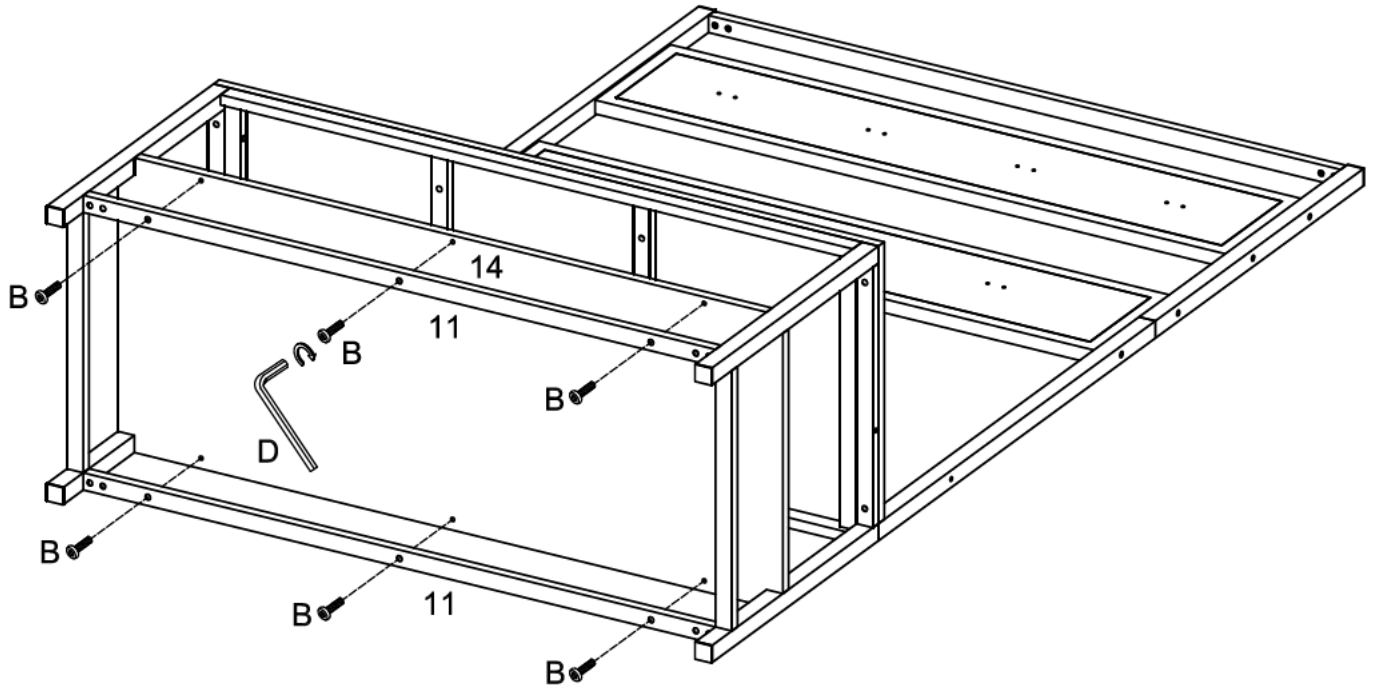
# Step 5



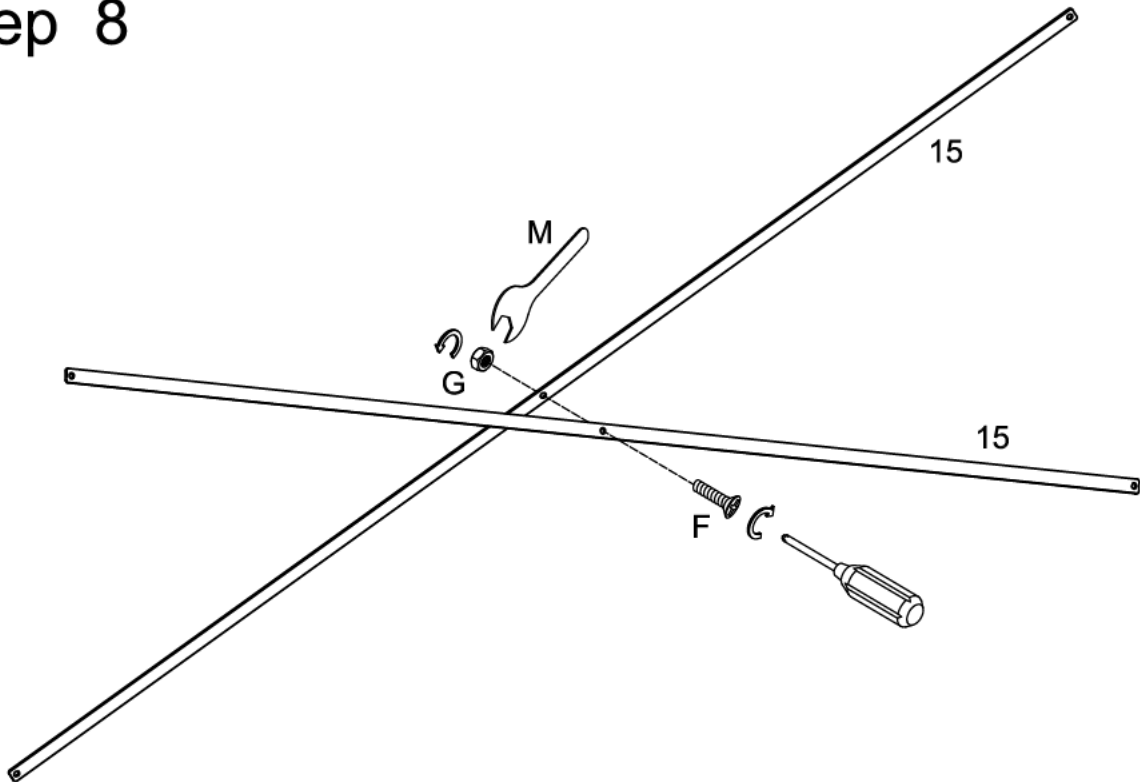
# Step 6



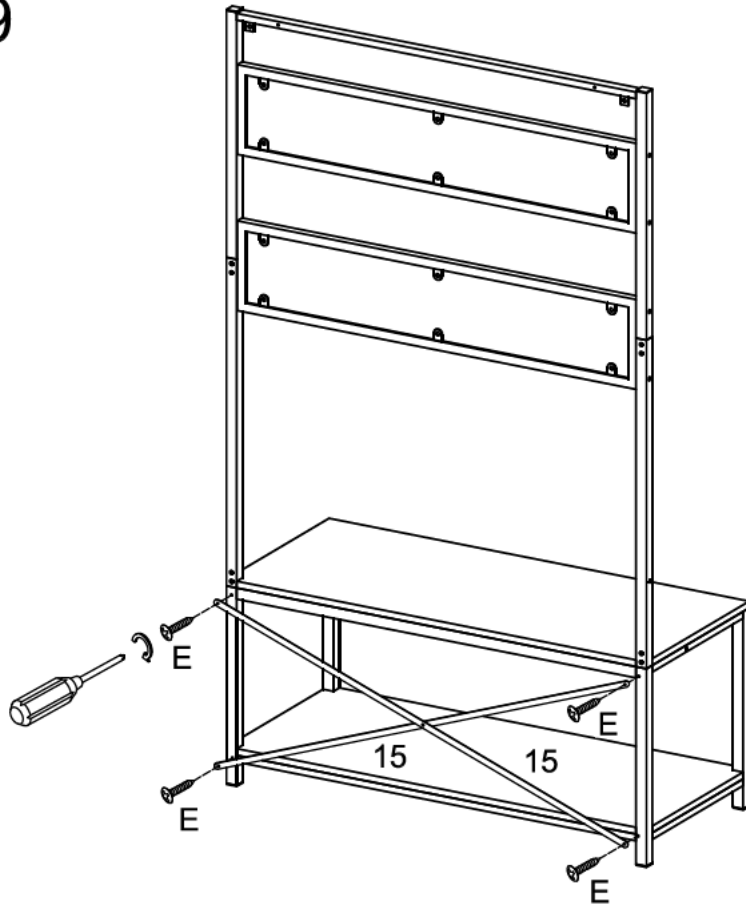
# Step 7



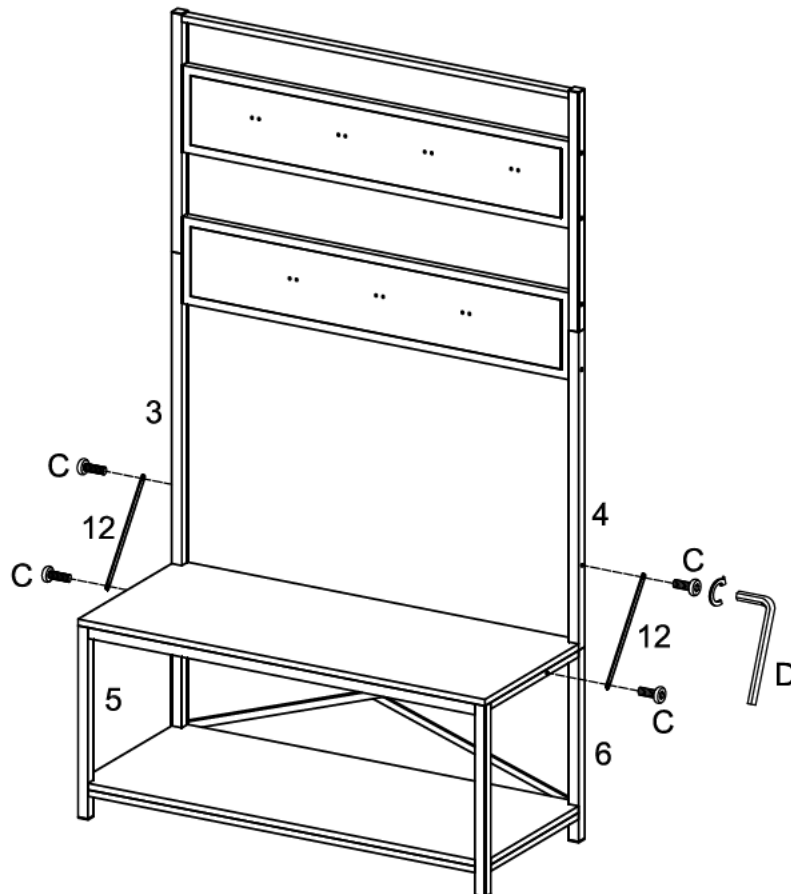
# Step 8



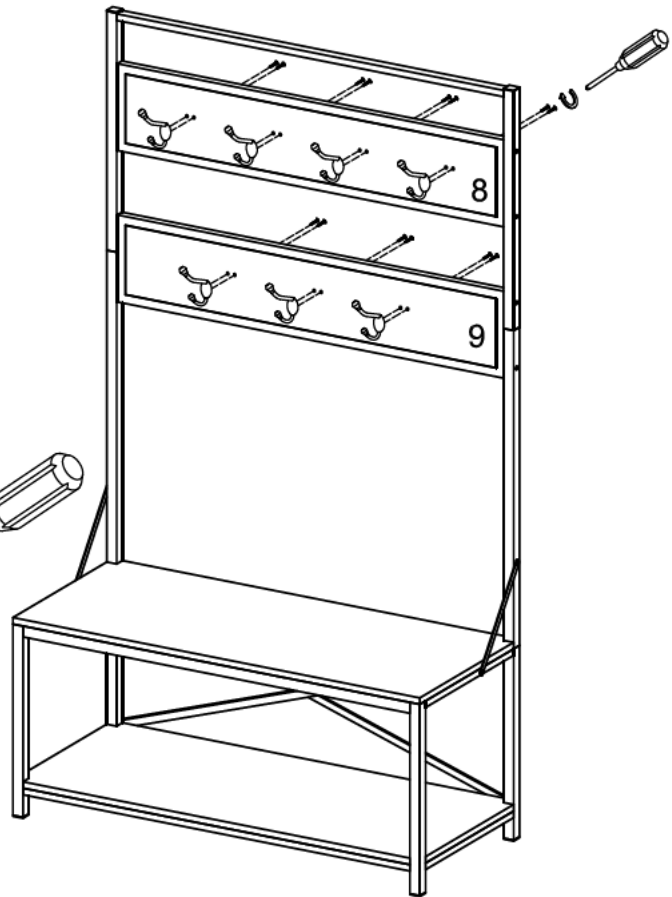
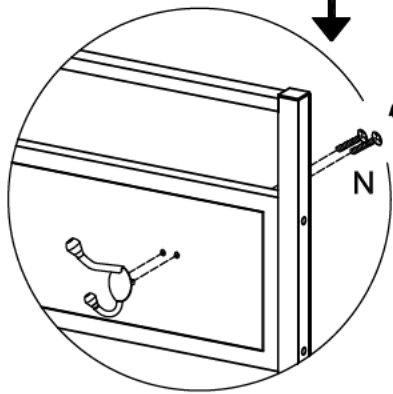
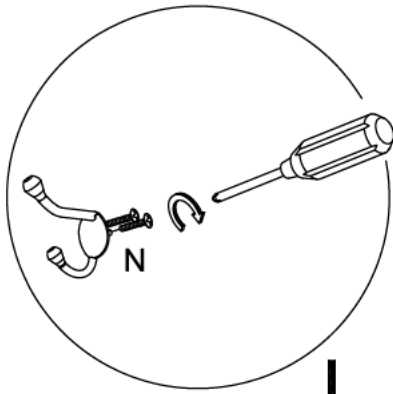
# Step 9



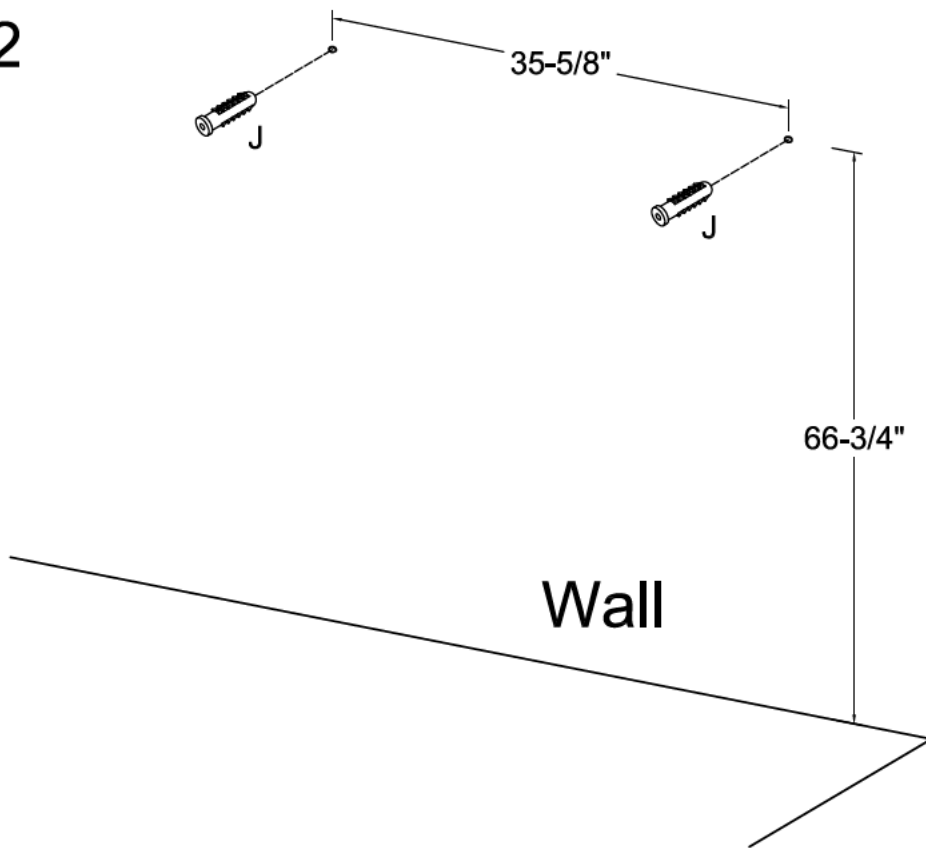
# Step 10



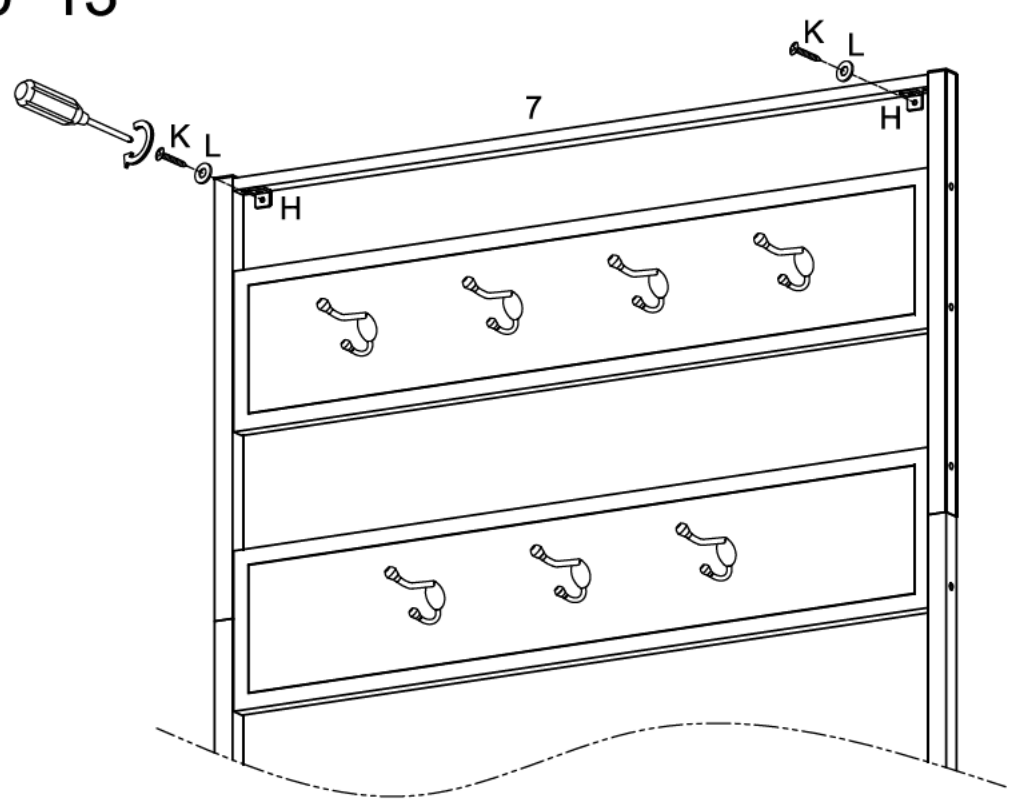
# Step 11



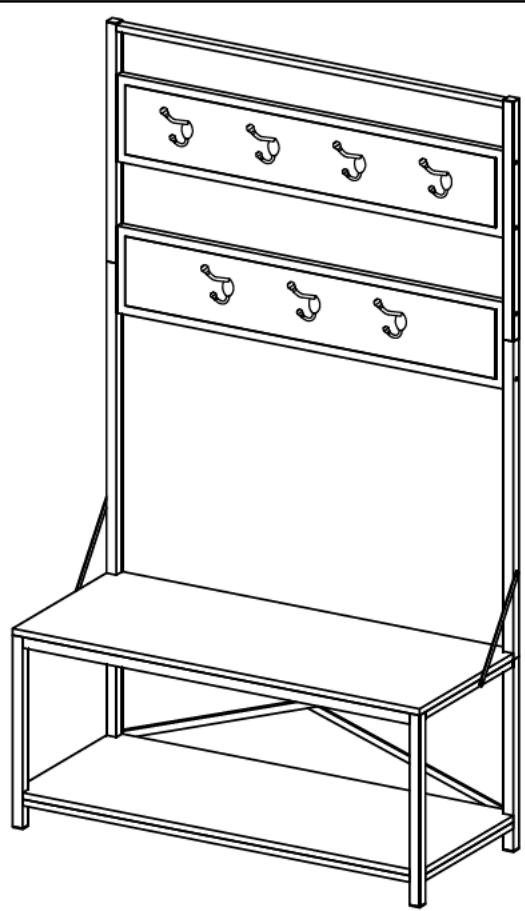
# Step 12



# Step 13



# Step 14



**Final Assembly**