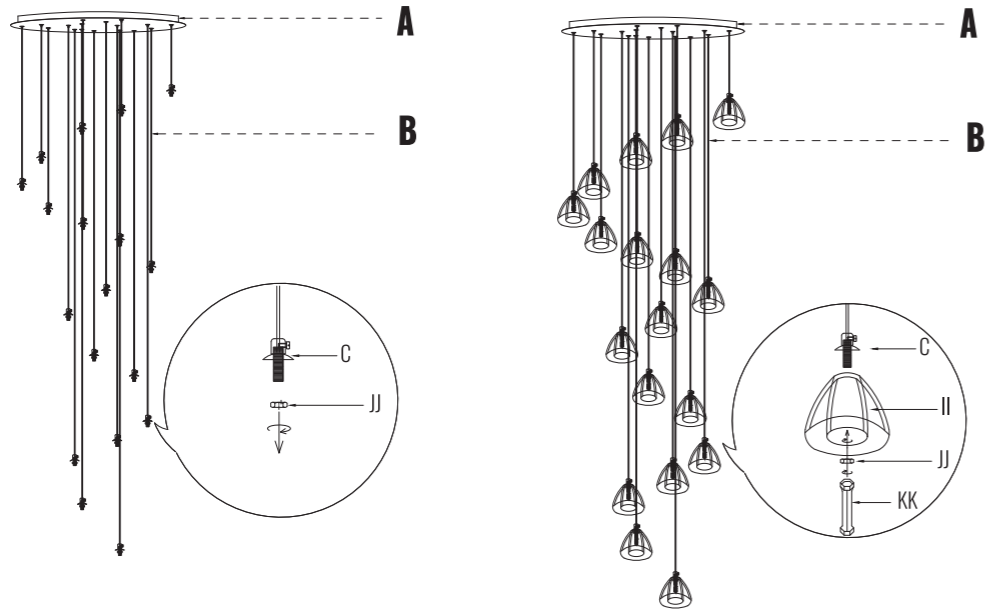


INSTALL LAMP SHADE

Remove the M10 Hex Nut (JJ) from the Socket (C), install the Lamp Shade (II) and fix it with M10 Hex Nut (JJ) and M10 Hex Nut Wrench (KK) taken off.



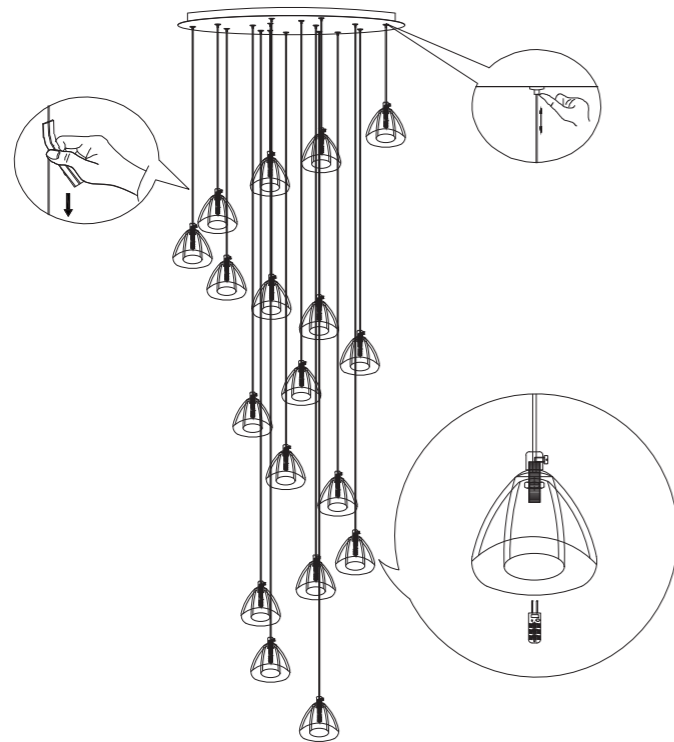
INSTALL BULBS

Install the G4 bulbs (not included) ×18, Max 7W each, LED recommended (not included).

NOTE:

Fully dimmable when used with dimmable bulbs and compatible dimming switches (not included).

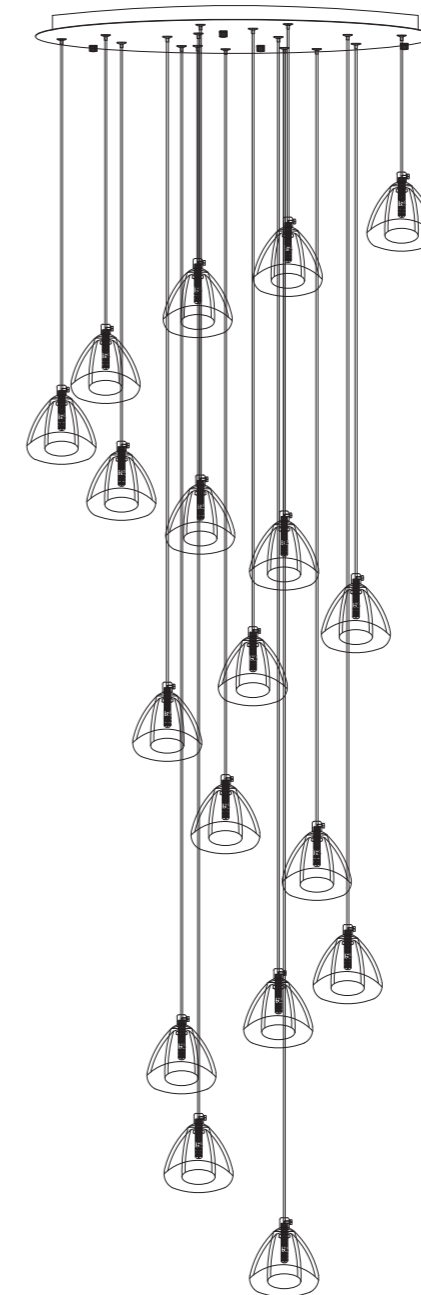
The wire can be adjusted to your preferred length.



INSTALLATION MANUAL

CHANDELIER

Model NO.:YXP-5010B-2418



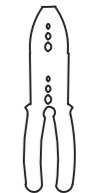
TOOLS REQUIRED



Ladder



Pliers

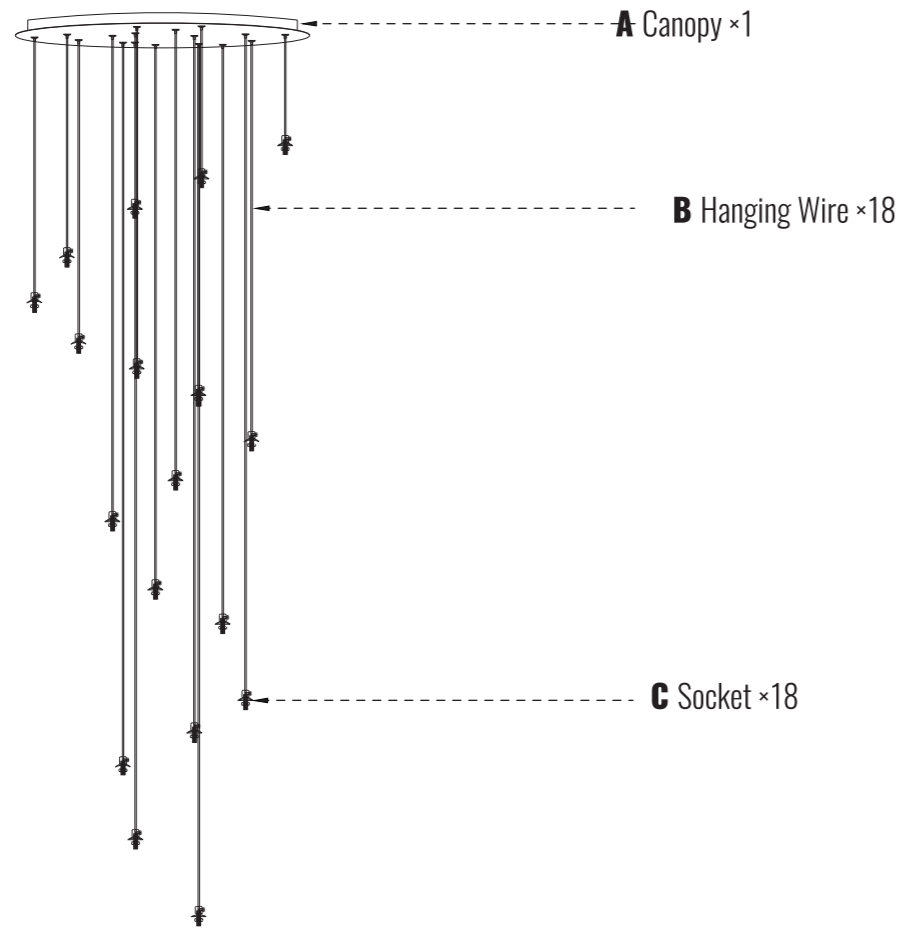


Wire
Strippers

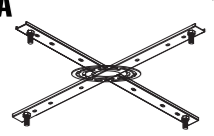



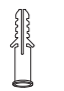









Screwdrivers

PACKING LIST



INSTALLATION KIT

| | | | |
|--|--|--|--|
| AA 1X  Mounting Bracket | BB 1X  Ground Screw | CC 2X  Outlet Box Screw | DD 3X  Wire Nut |
| EE 4X  Plastic Anchor | FF 4X  Wood Screw | GG 4X  Flat Washer | HH 4X  Knurled Nut |
| II 18X  Lamp Shade | JJ 18X  M10 Hex Nut | KK 1X  M10 Hex Nut Wrench | LL 1X  Gloves |

Note:

1. Some extra hardware may be included. The quantity listed above is the number required for installation.
2. BB has already been pre-installed with AA, and AA has already been pre-installed with Canopy (A).
3. JJ has already been pre-installed with Socket (C).

MOUNTING AND WIRE

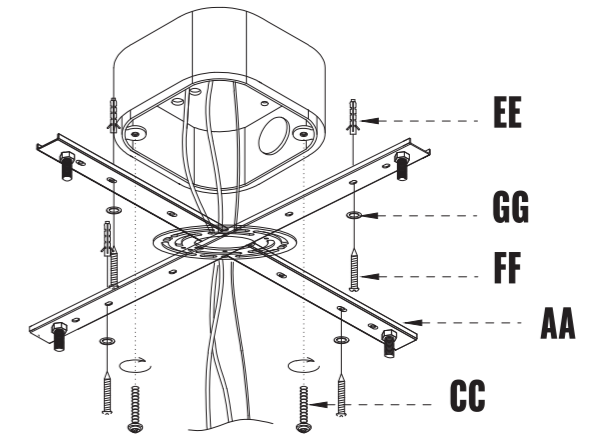
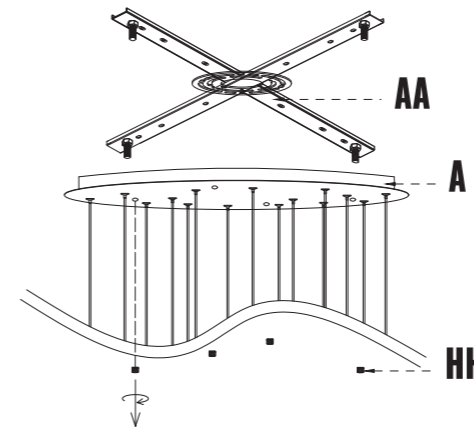
1. Install the Mounting Bracket

Step 1: Loosen the Knurled Nut (HH) from Canopy (A), and take out the Mounting Bracket (AA).

Step 2: Plan the holes for the Mounting Bracket (AA) first, then place the Plastic Anchor (EE) inside the punched holes.

Step 3: Take off the screws from the outlet box, and secure the Mounting Bracket (AA) onto the box with the screws taken off or Outlet Box Screw (CC).

Step 4: Pass the Wood Screw (FF) through the Flat Washer (GG) and Mounting Bracket (AA), and lock it into the hole of Plastic Anchor (EE).

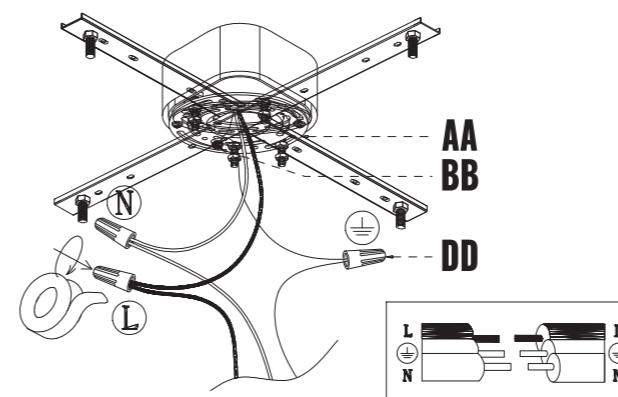


2. Connect the Wires

Step 1: Wrap the ground wire from the outlet box around the Ground Screw (BB) on the Mounting Bracket (AA), and then connect the ground wire from the fixture to the ground wire from the outlet box.

Step 2: Connect the wires from the fixture to the house supply wires, neutral (white) to neutral wire, and hot (black) to hot wire.

Step 3: Spread apart the wires so that the hot wires are on one side of the outlet box and the neutral wires are on the other.



3. Fix the Canopy

Fix the Canopy (A) onto the Mounting Bracket (AA) with Knurled Nut (EE).

