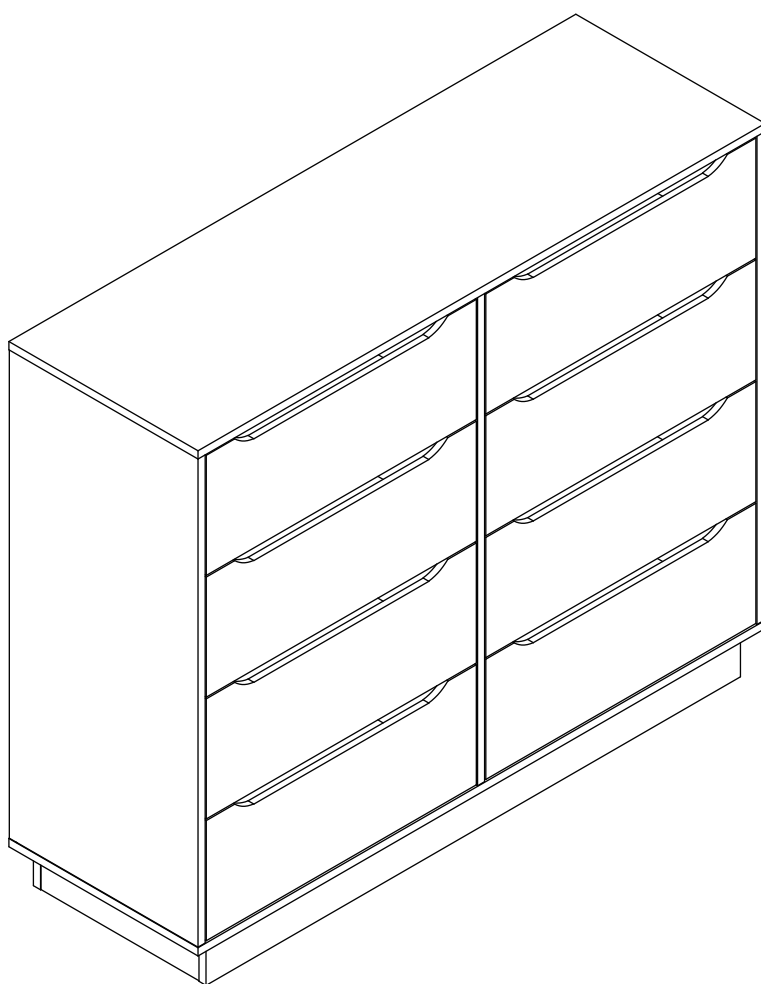
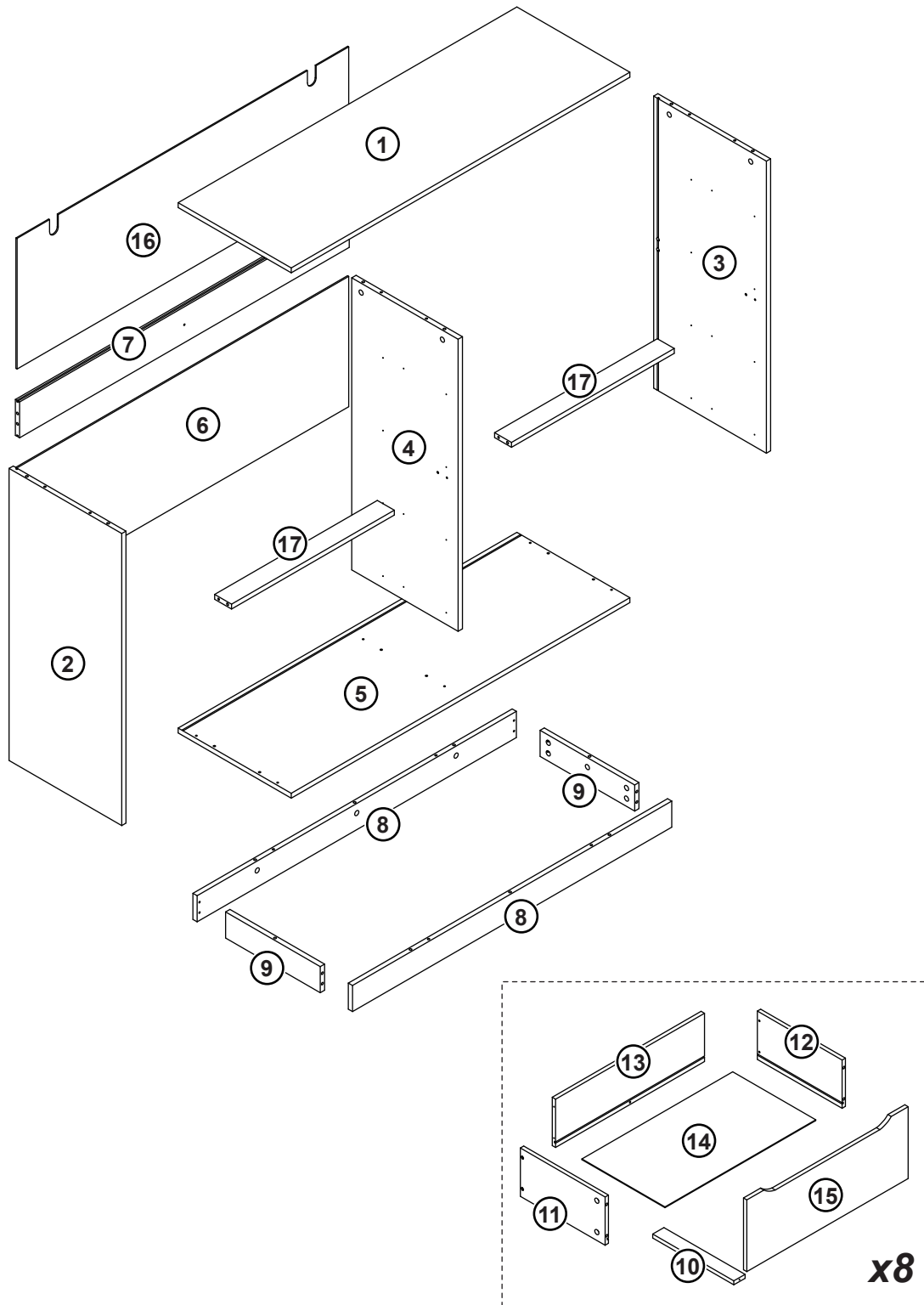


DJYC2508

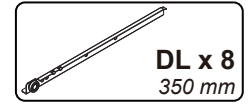
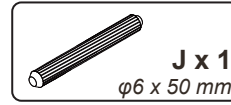
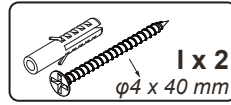
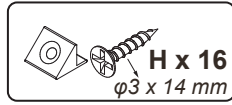
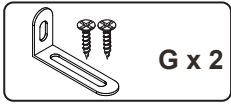
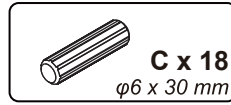
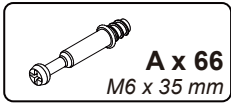
ASSEMBLY INTRODUCTION



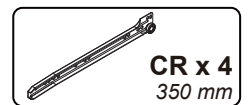
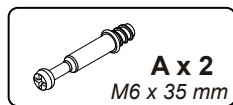
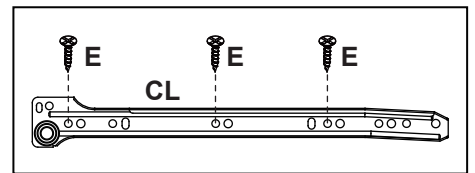
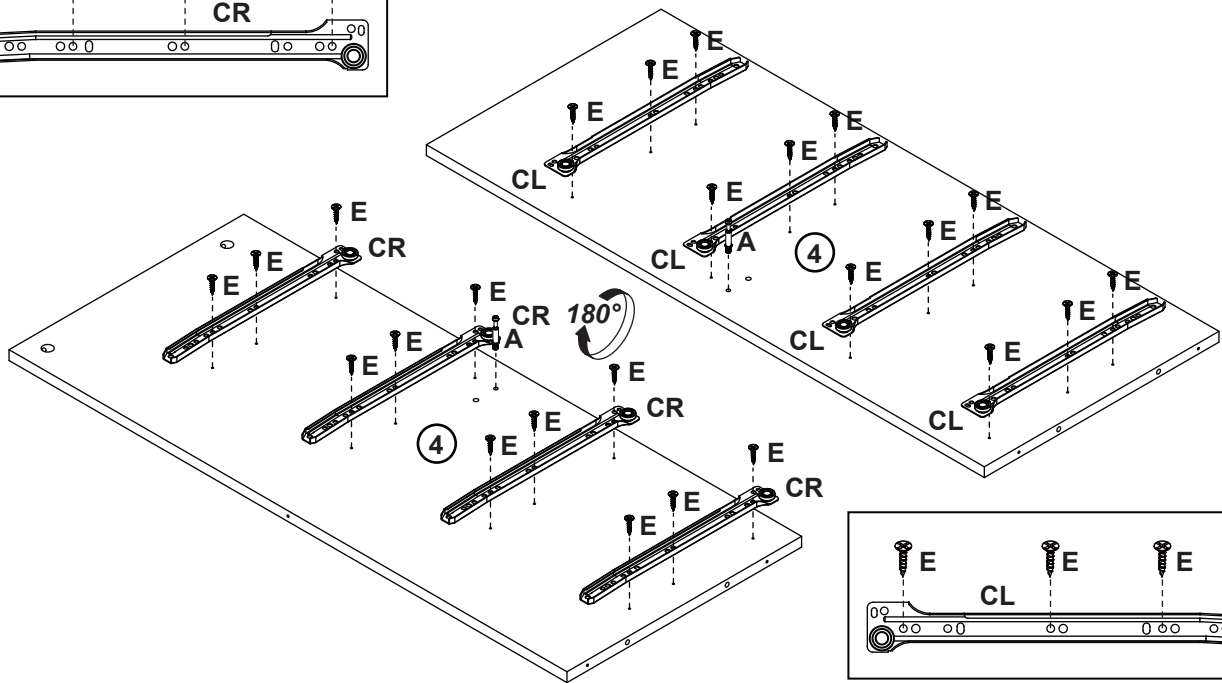
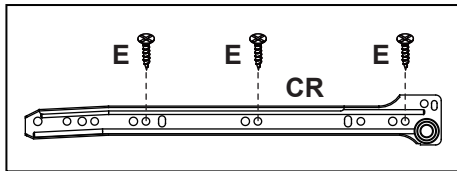
Exploded View



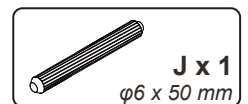
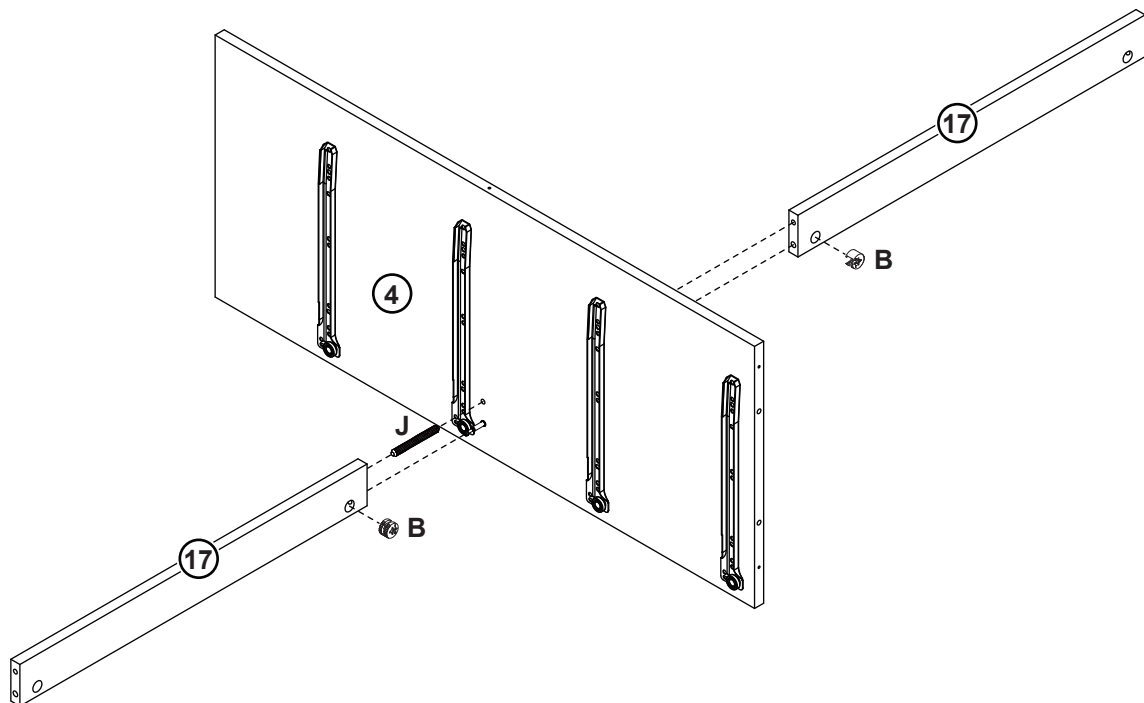
Fitting



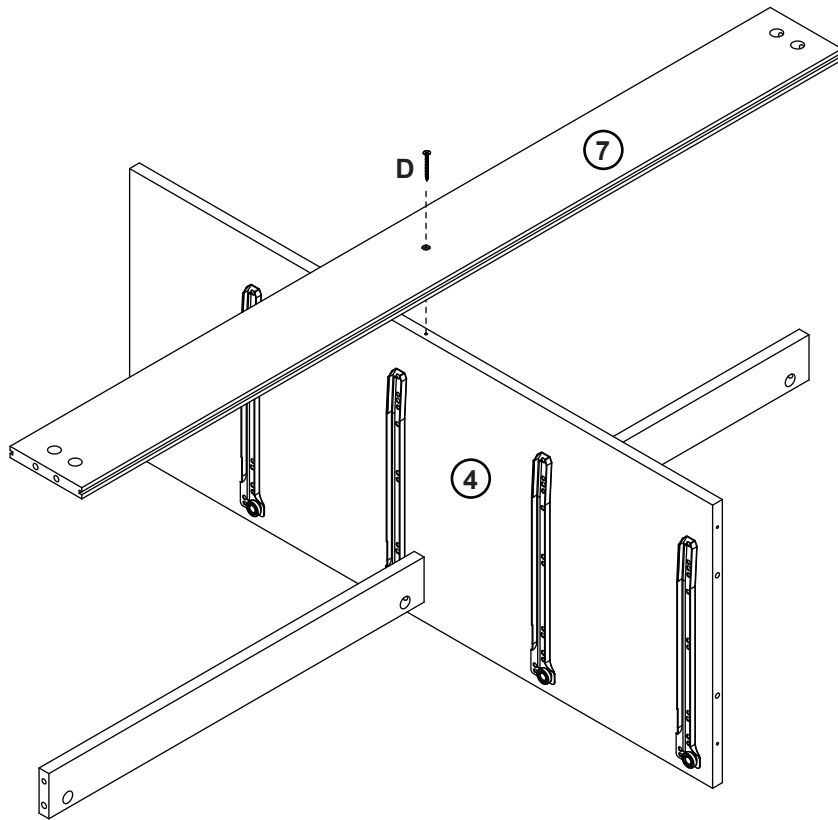
Step 1



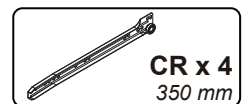
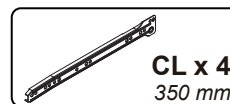
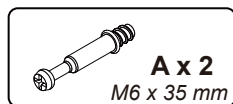
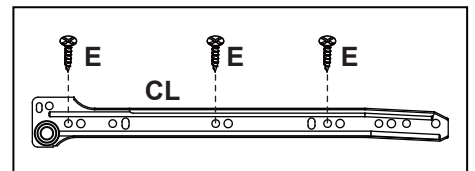
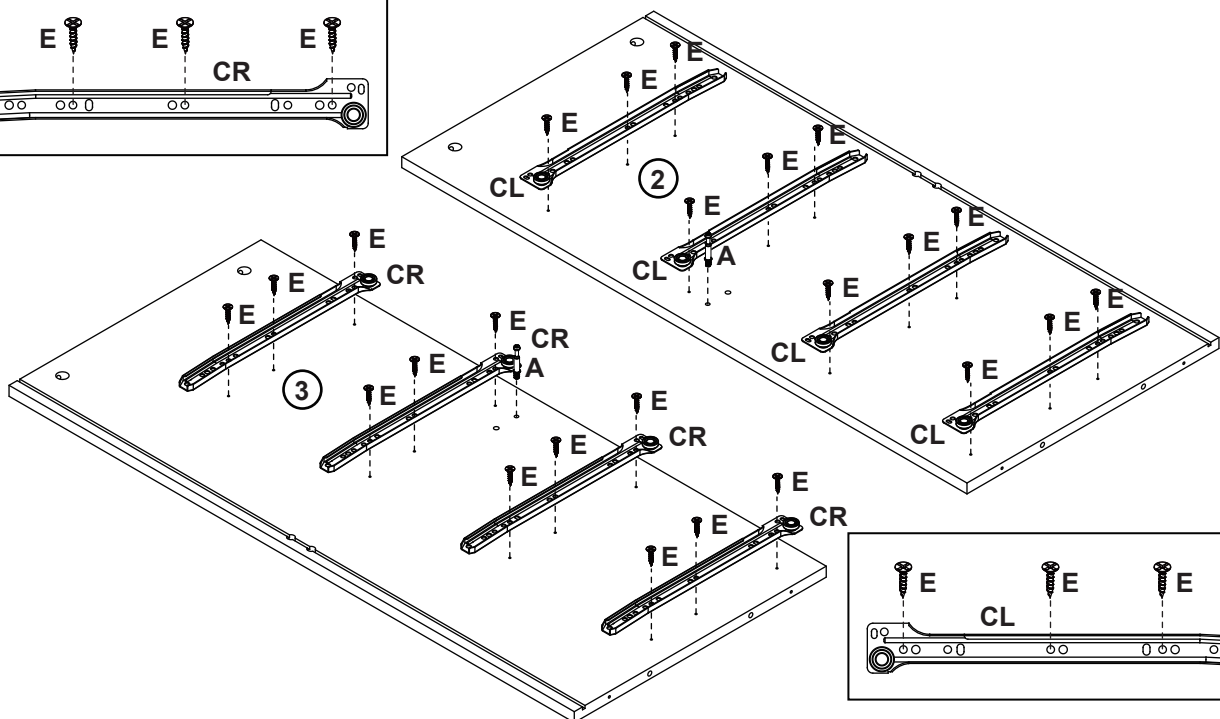
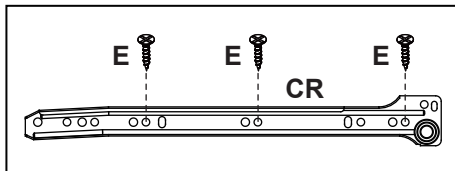
Step 2



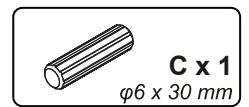
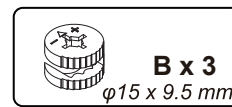
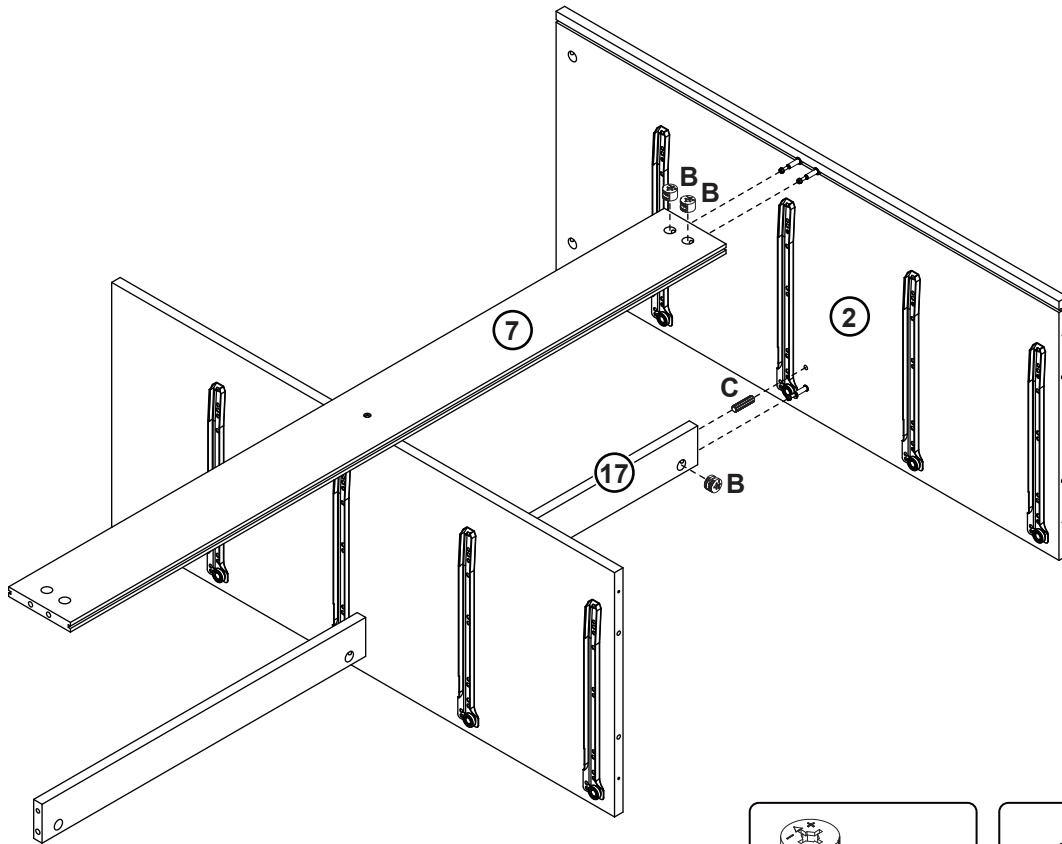
Step 3



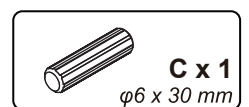
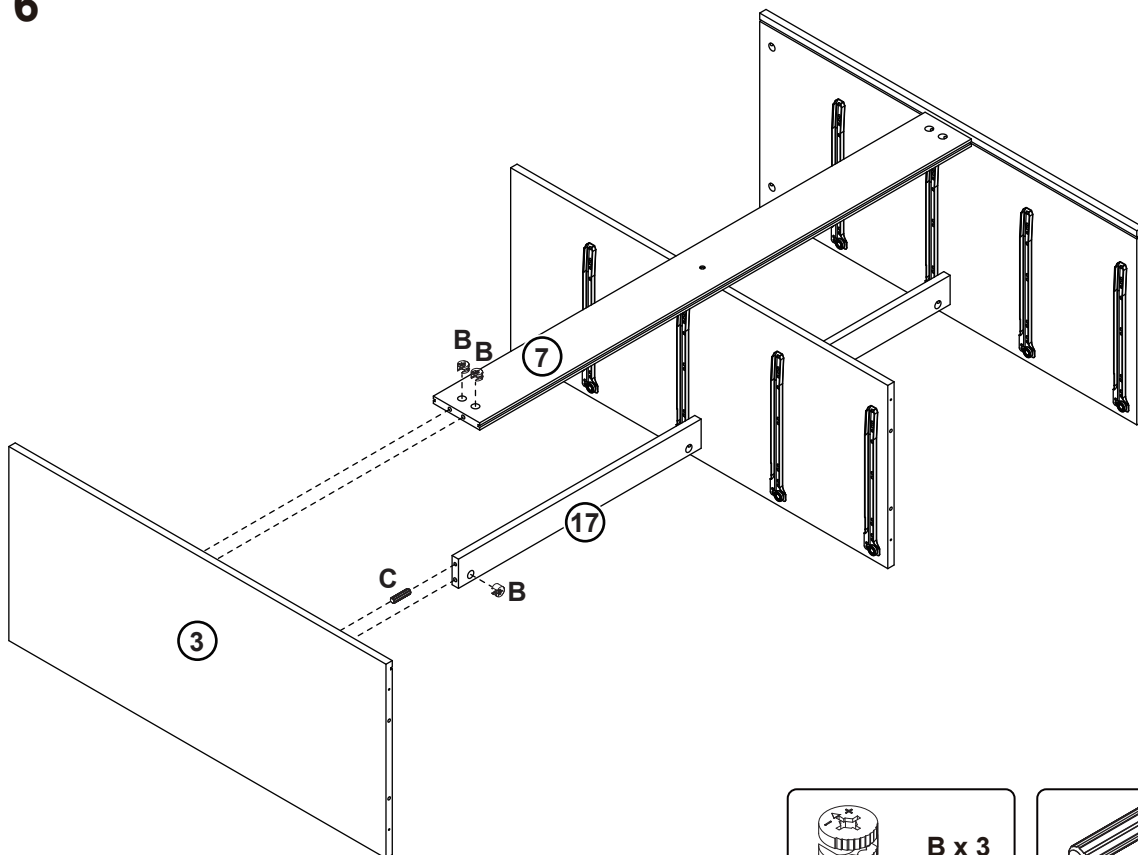
Step 4



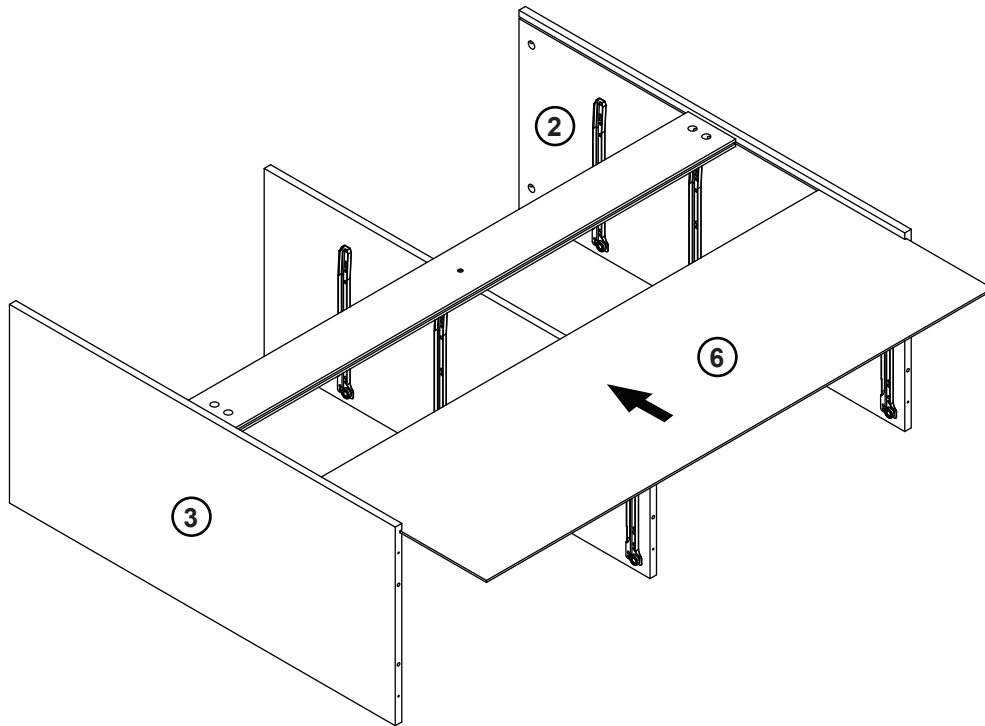
Step 5



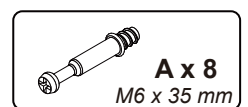
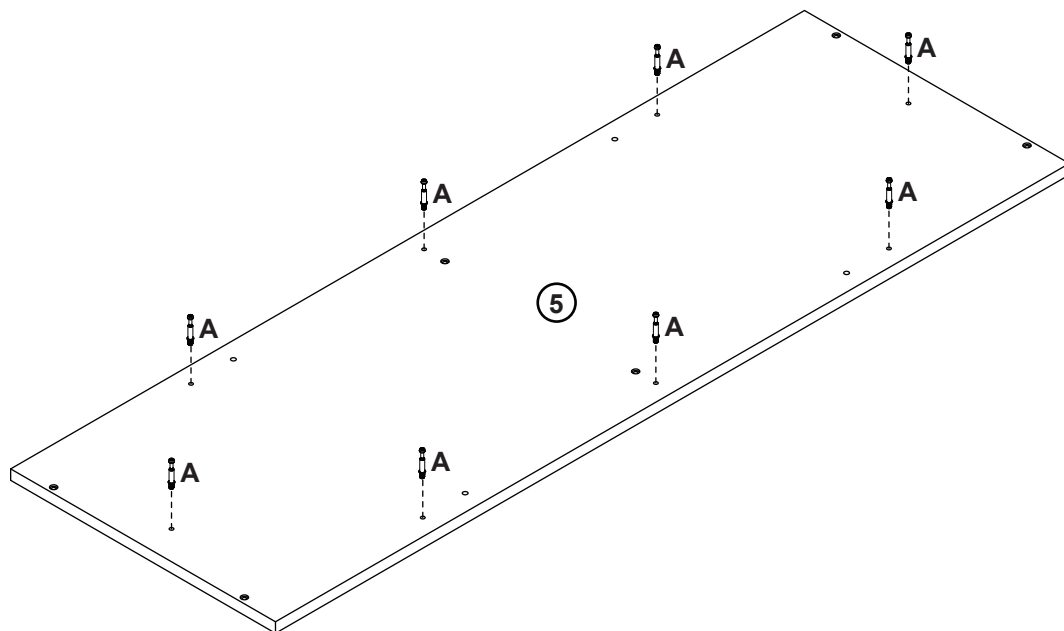
Step 6



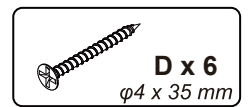
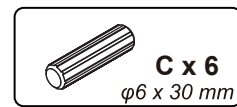
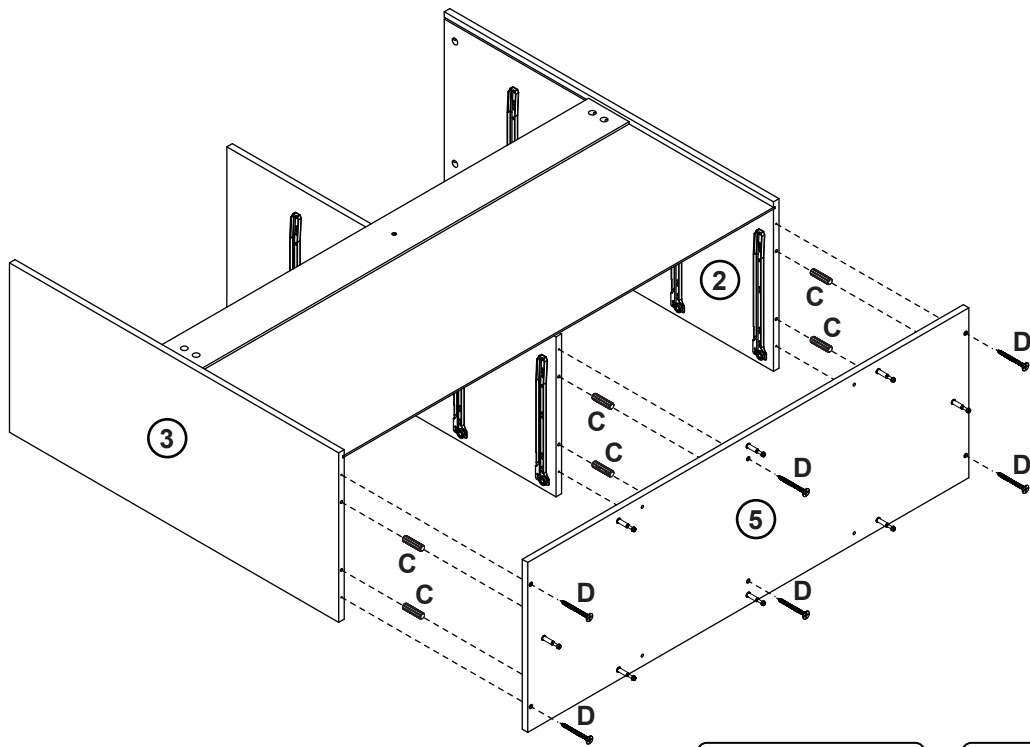
Step 7



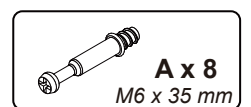
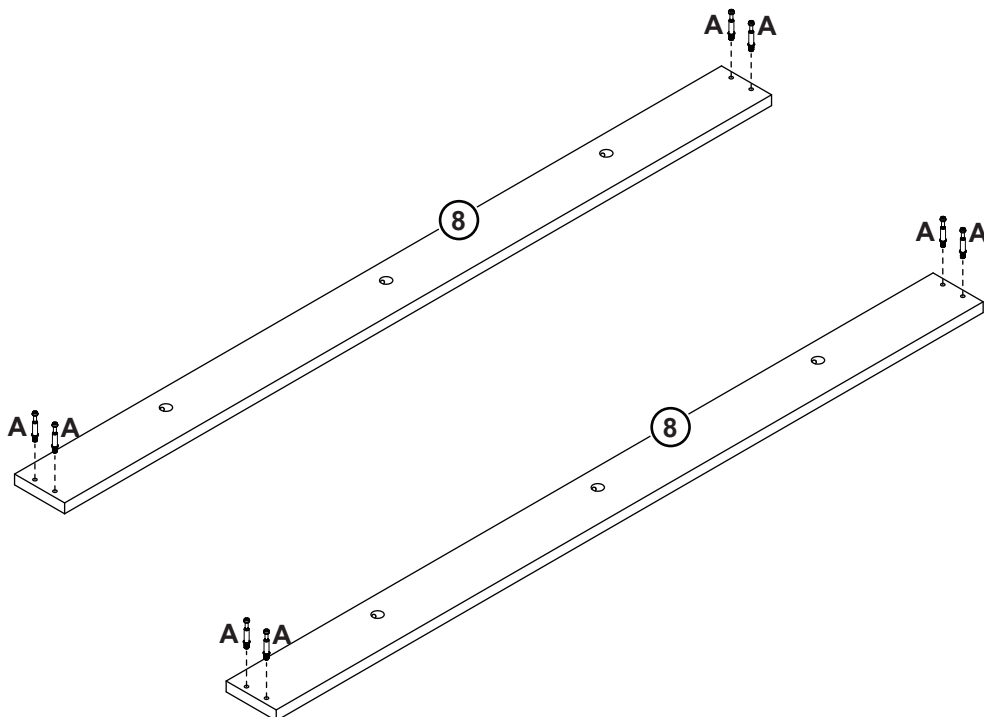
Step 8



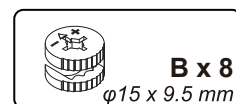
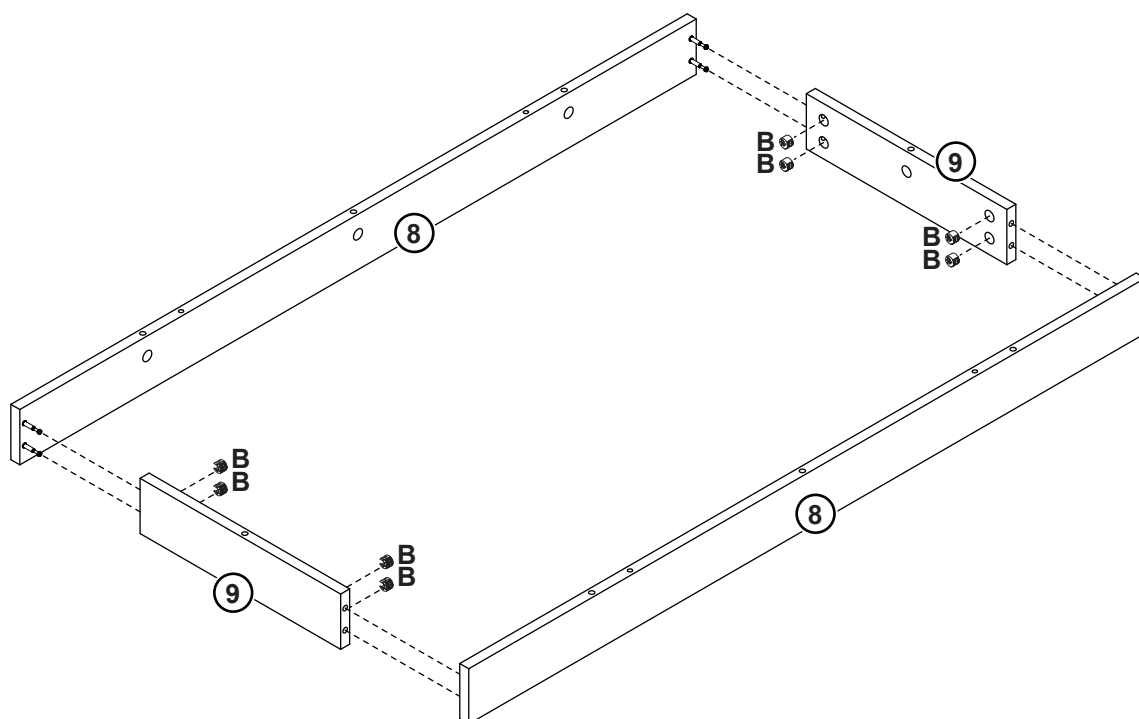
Step 9



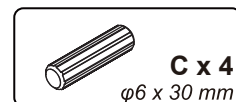
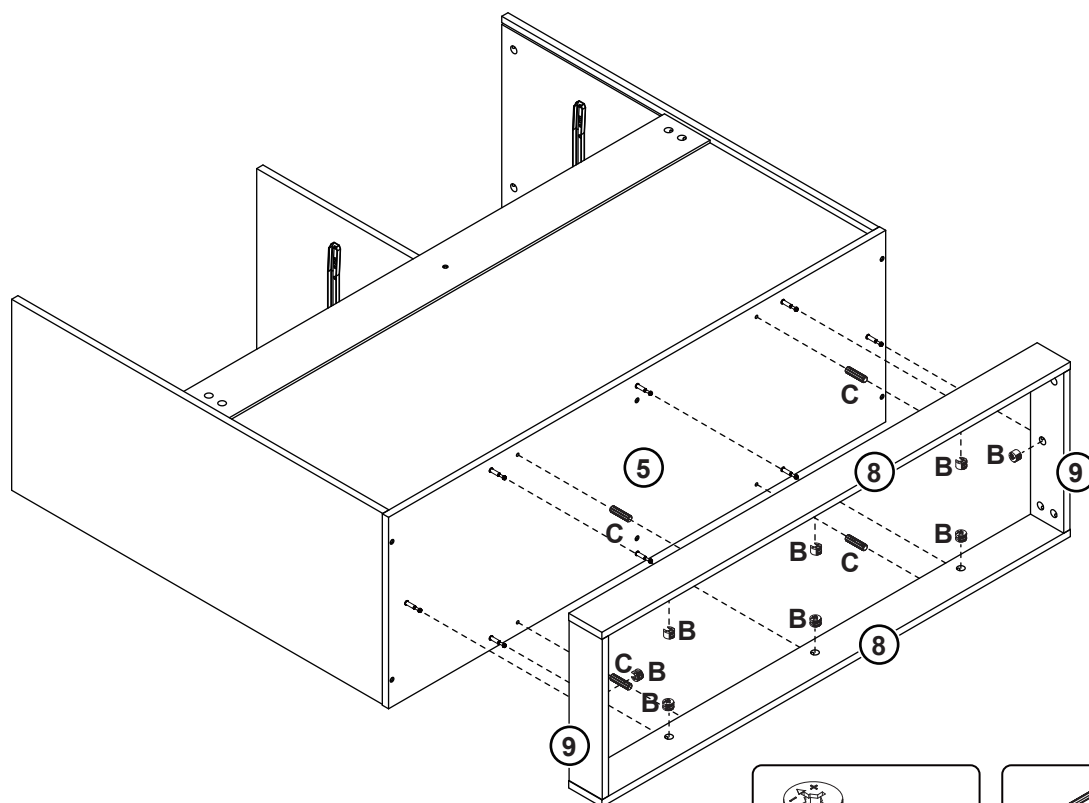
Step 10



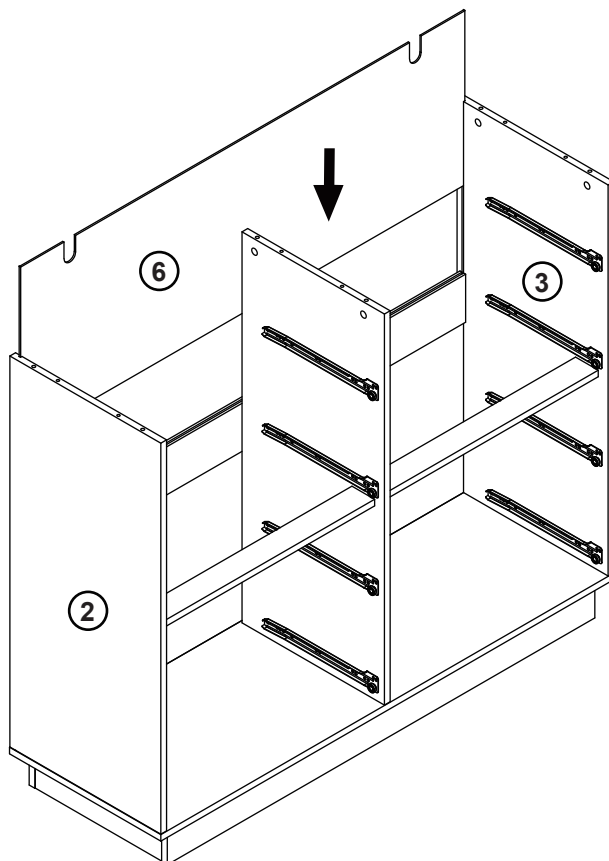
Step 11



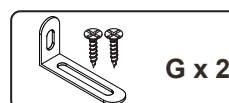
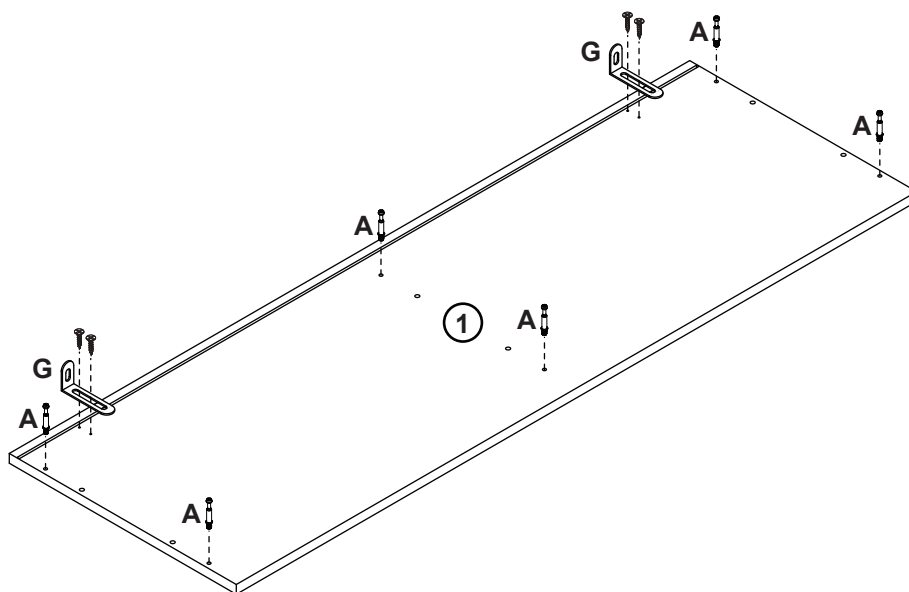
Step 12



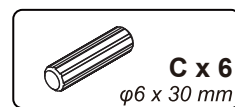
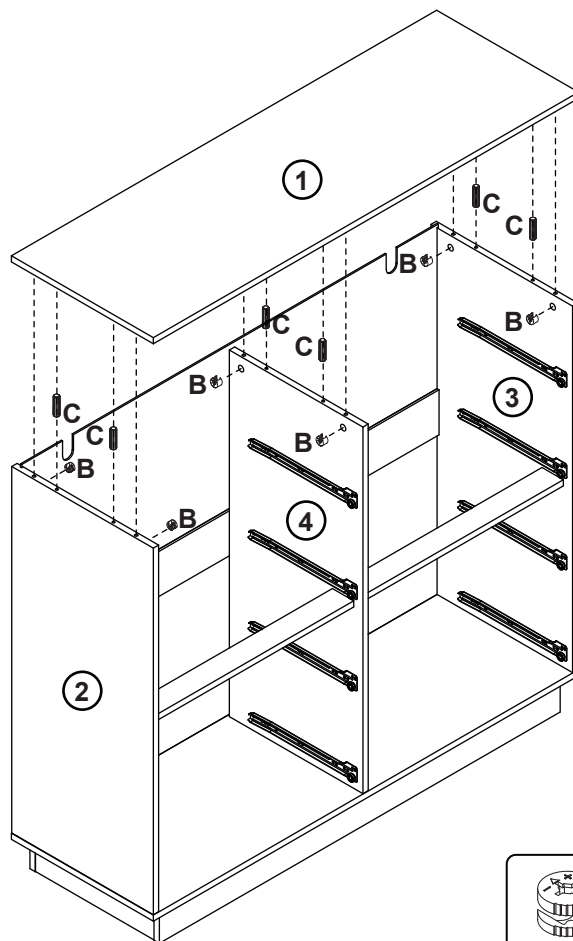
Step 13



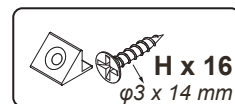
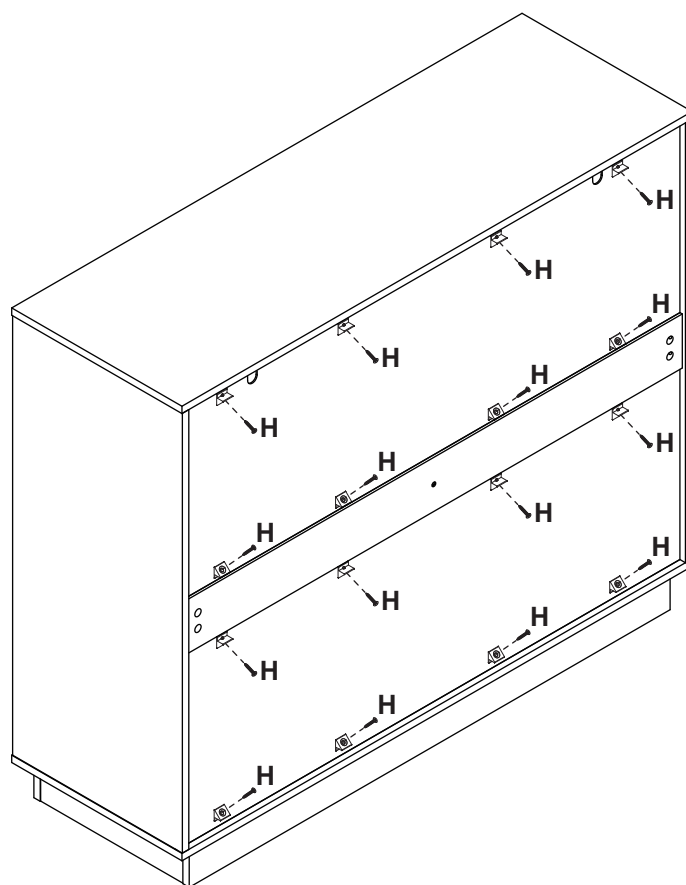
Step 14



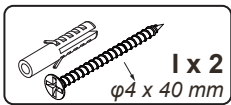
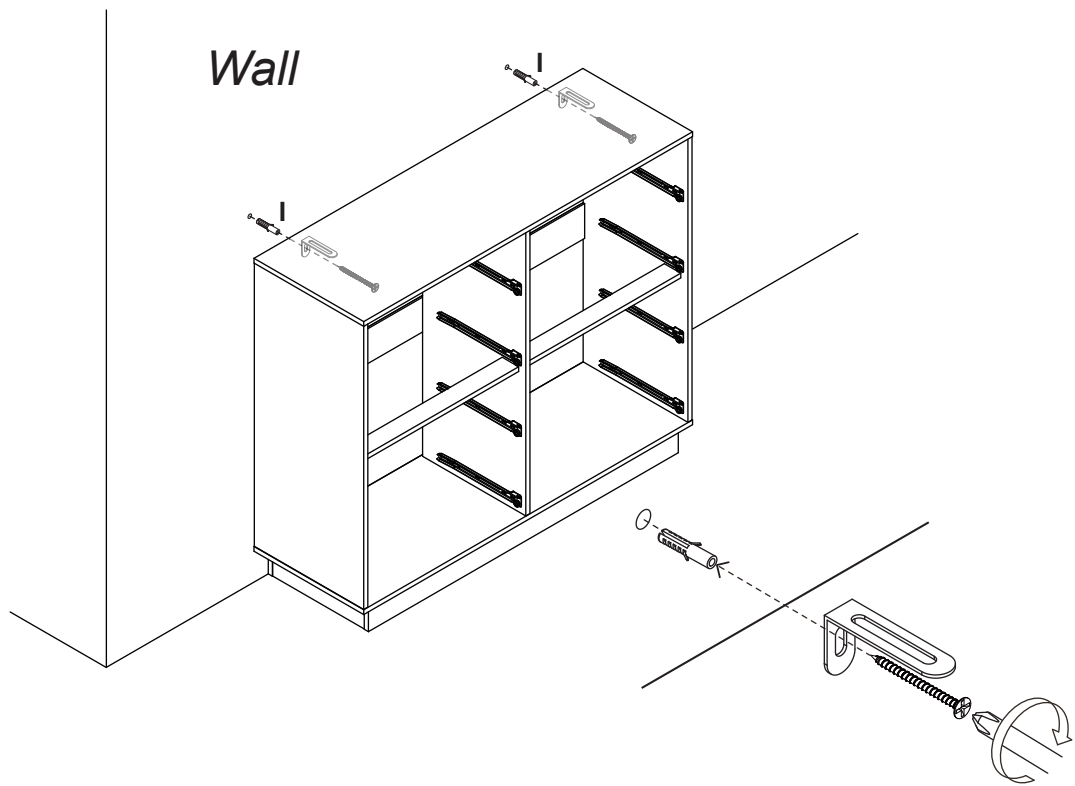
Step 15



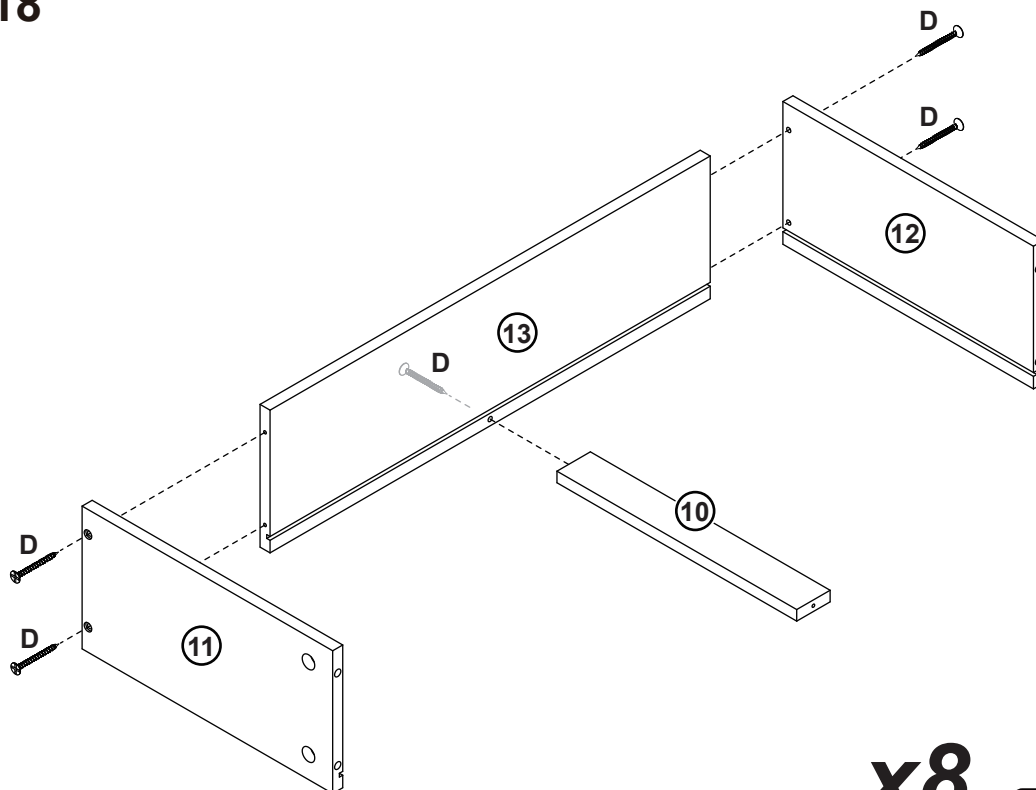
Step 16



Step 17



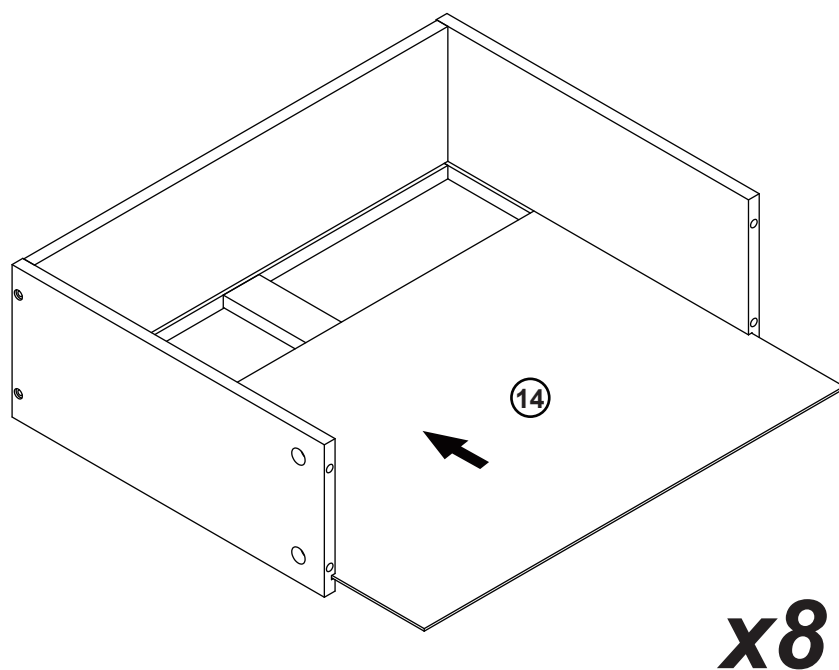
Step 18



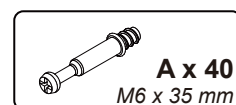
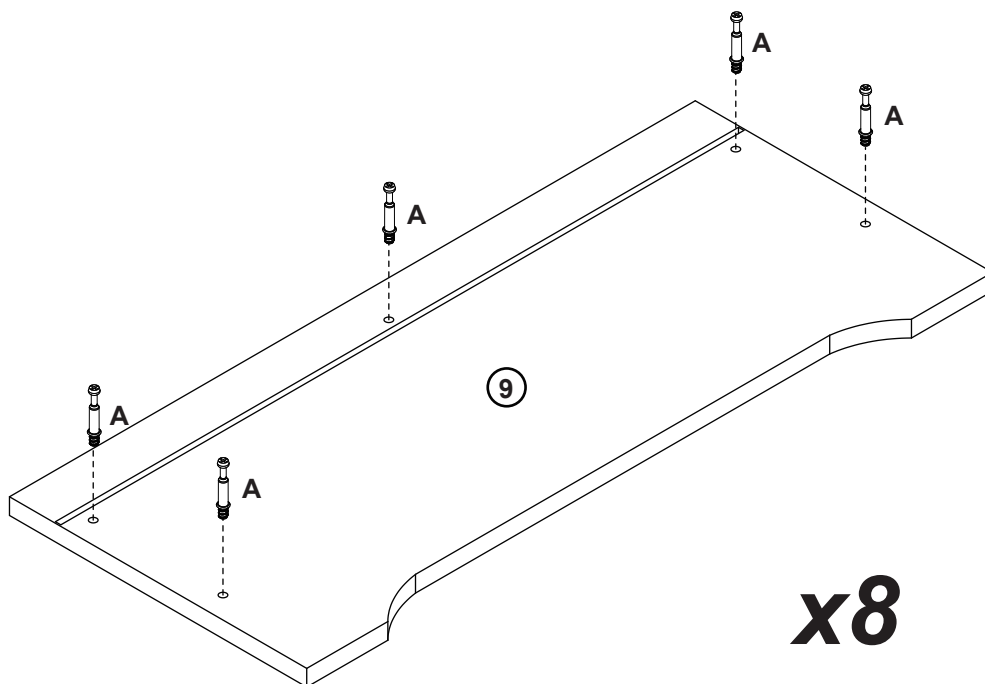
x8



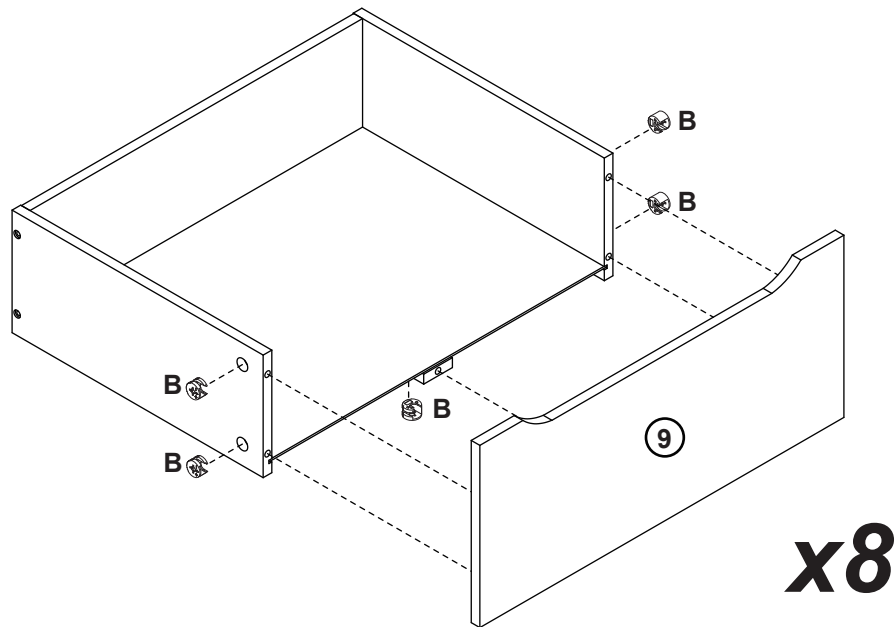
Step 19



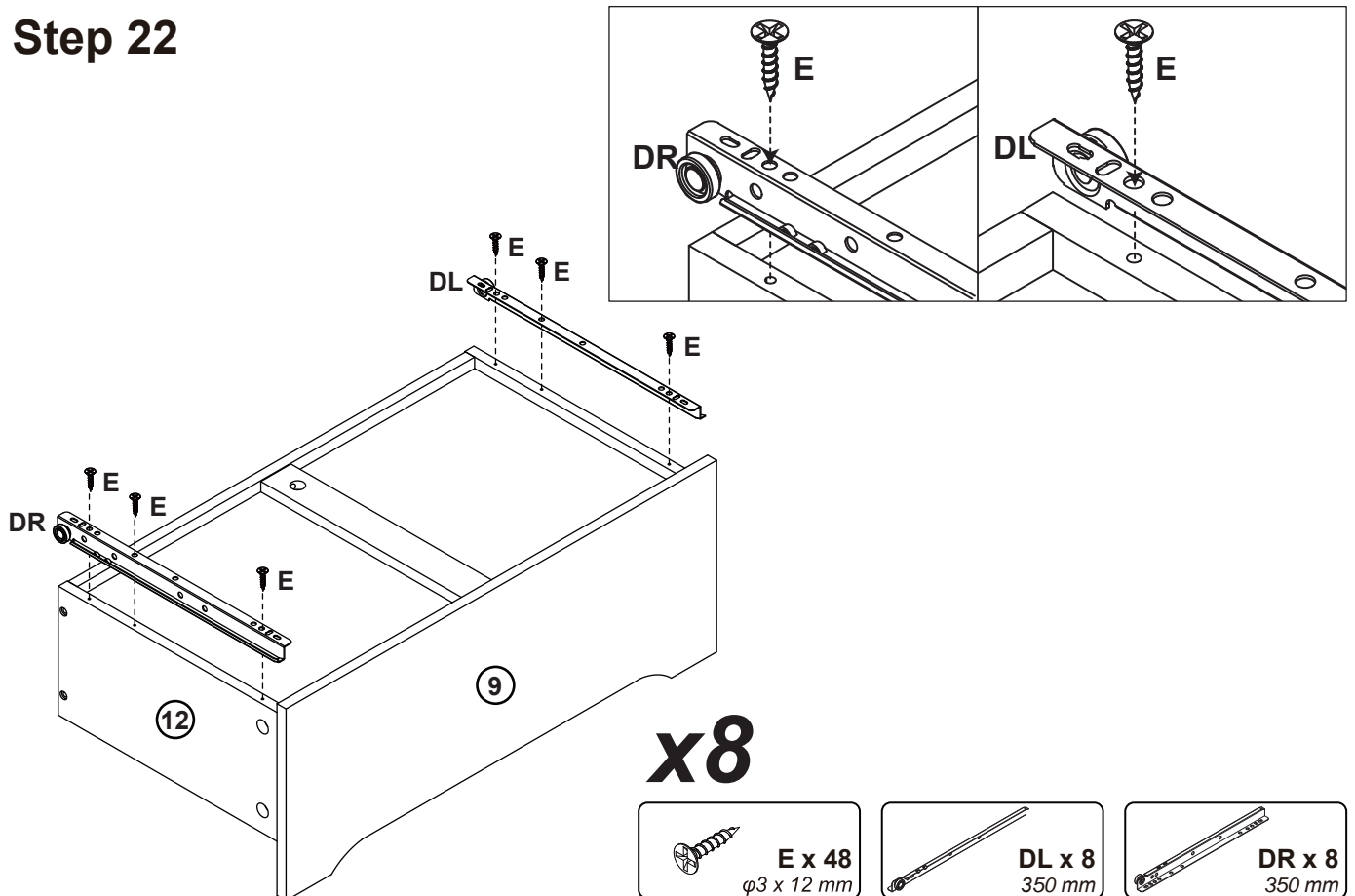
Step 20



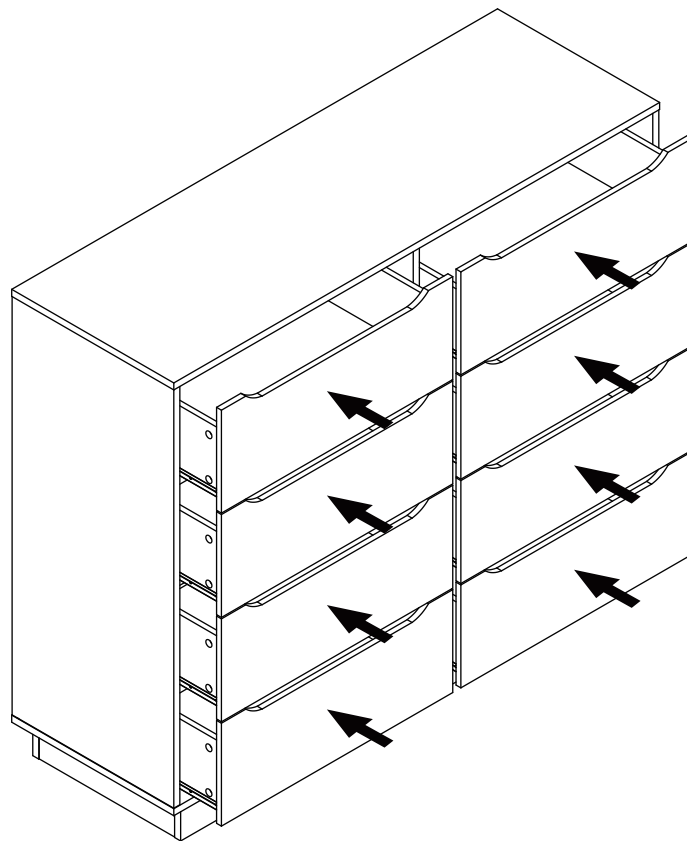
Step 21



Step 22



Step 23



Step 24

