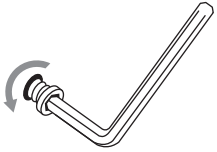


# • Instructions

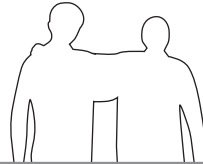
## ※ NOTICE

Please use the allen key included instead of an electric drill.

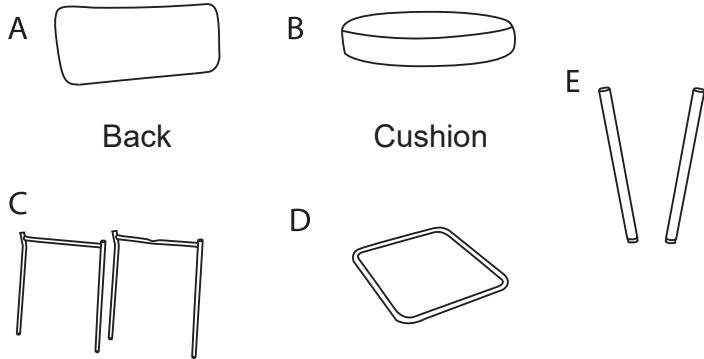


## TIPS!

We recommend two people for the assembly process.

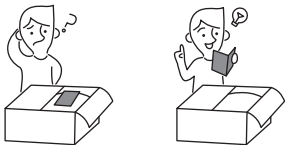


☑ Please make sure all the parts are included.

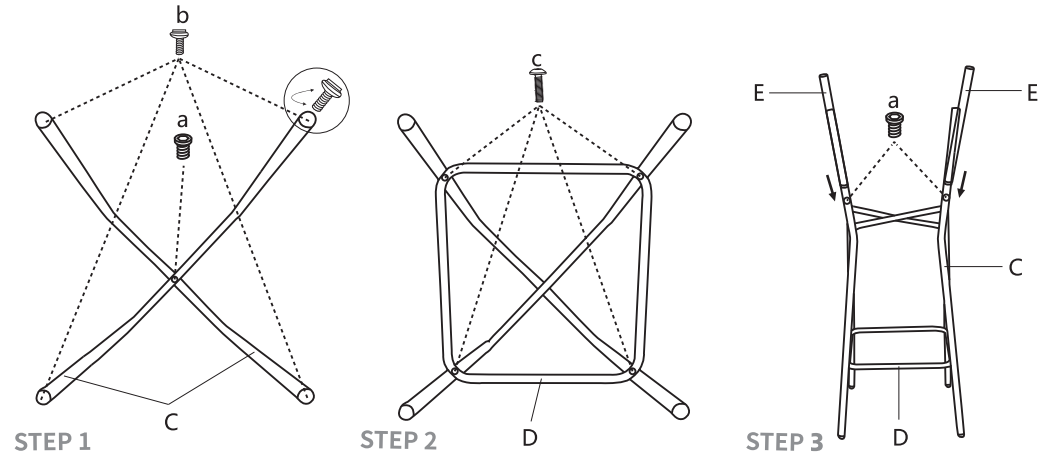
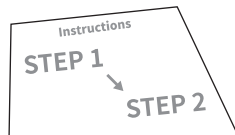


- (a) \*3 M6×16mm
- (b) \*4 adjustable footnail
- (c) \*4 M6×30mm
- (d) \*8 M6×35mm
- (f)

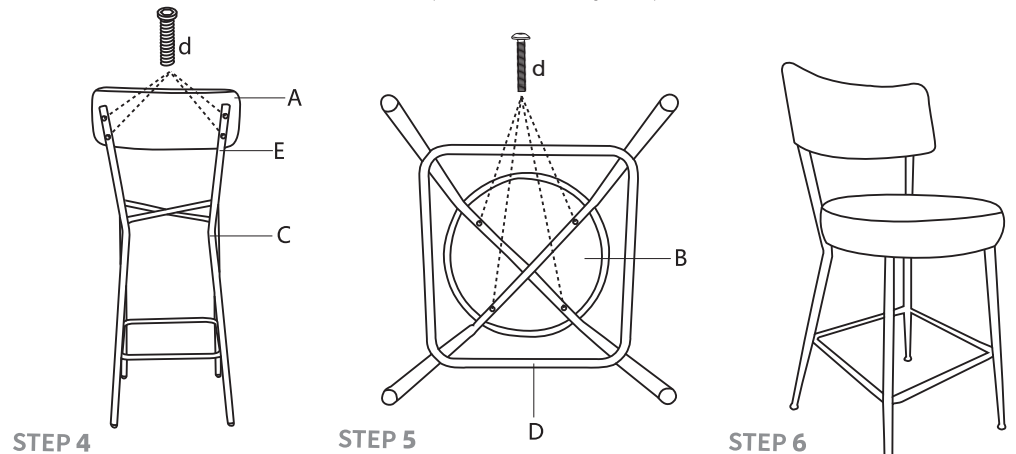
Read the instructions carefully.



Follow the assembly steps.



For better assembly in the following steps, please only screw all the screws to 80% of the position when assembling this step.



**STEP 6**  
100% tighten all the screws in the end.