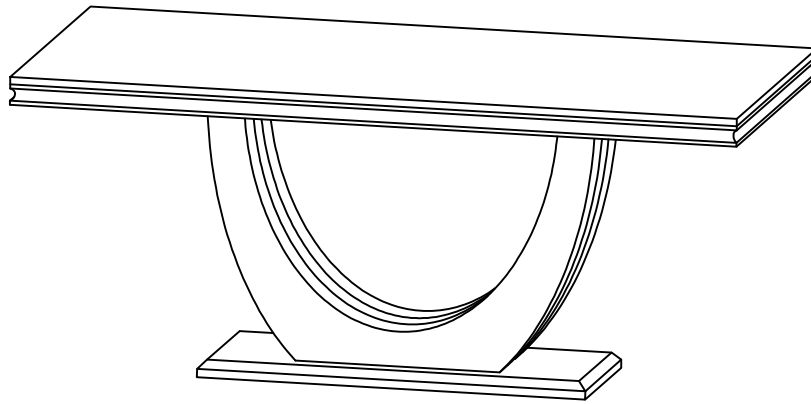

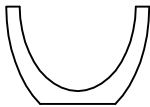
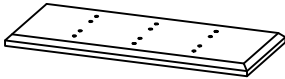
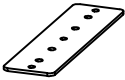


# Assembly Instructions



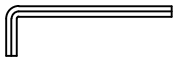


Please install the products on carpet or soft place

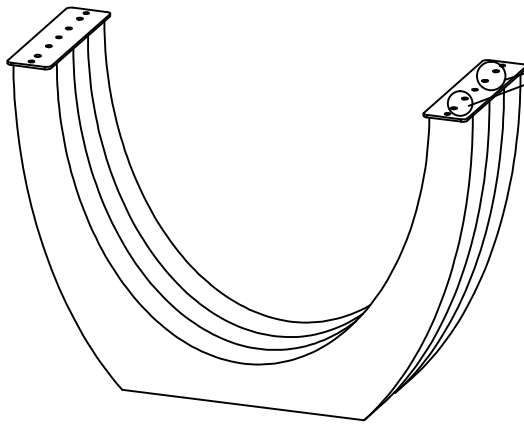
## Parts List

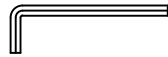

No.	Sketch	Description	Qty
A		Desk Top	1
B		Leg	2
C		Iron Box	1
D		Steel Plate	2

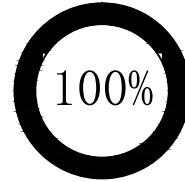
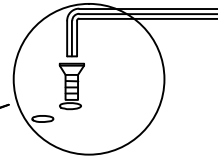
## Hardware List

No.	Sketch	Description	Qty
1		Bolts M8x16	18
2		Bolts M8x16	8
3		Allen Key	1

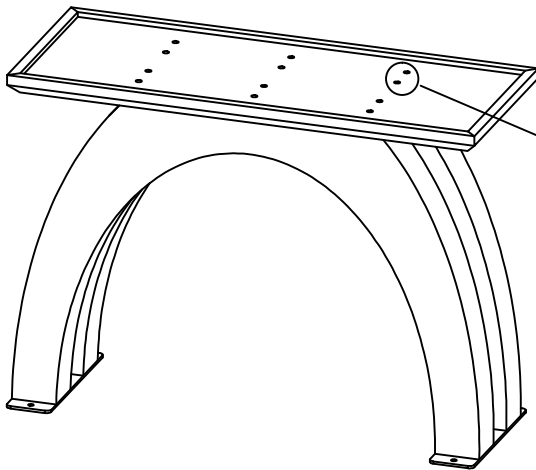
# STEP 1

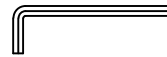



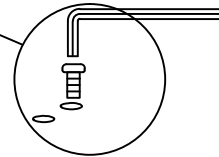
- 3 
- 2 



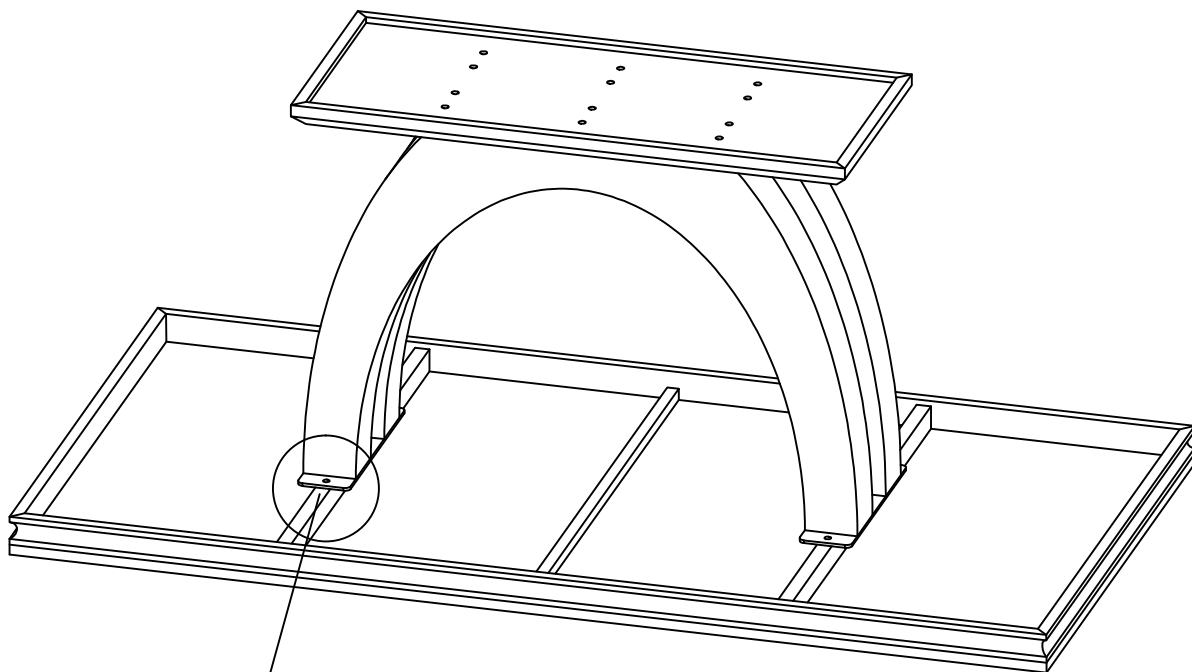
Tighten all the screws

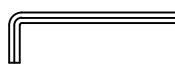



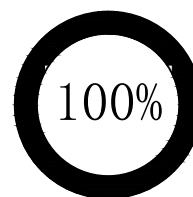
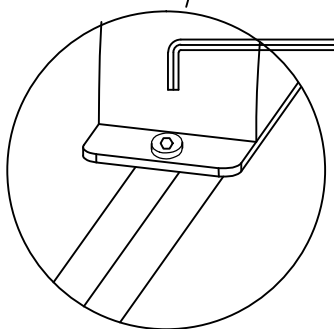
- 3 
- 1 



# STEP 2



- 3 
- 1 



Tighten all the screws

COMPLETED

