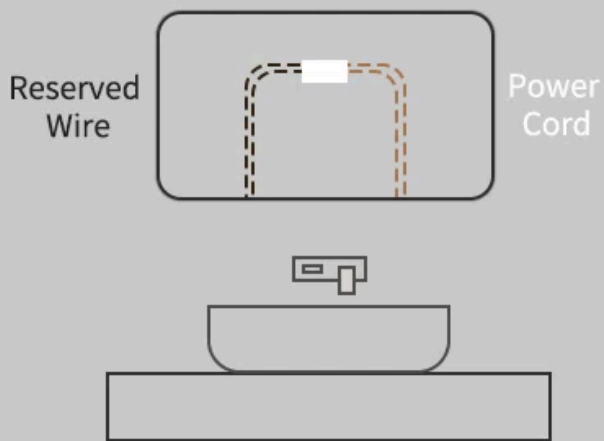
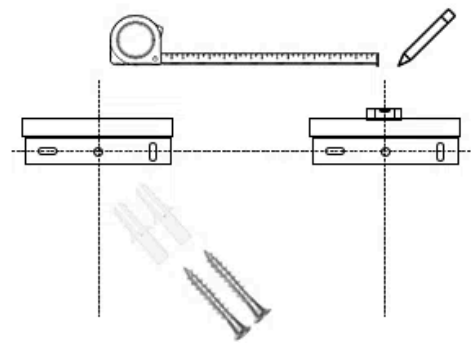


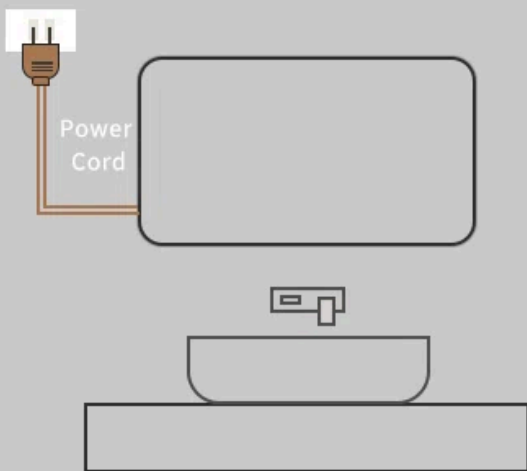
# Installation and Wiring Diagrams



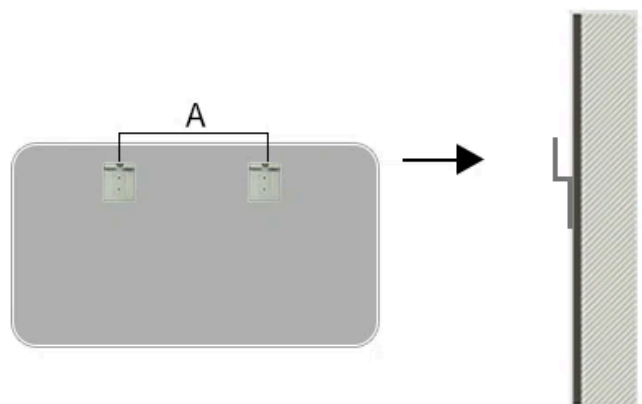
A. Cut off the plug and the reserved wire connection. The wiring port can be hidden on the back of the mirror.



**Step1**  
Mounting the holes of bracket on the wall  
Supports gypsum boards and concrete walls



B. Plug the mirror directly into a wall outlet for use



**Step2**  
Mounting the hangers behind mirror  
mount distance A