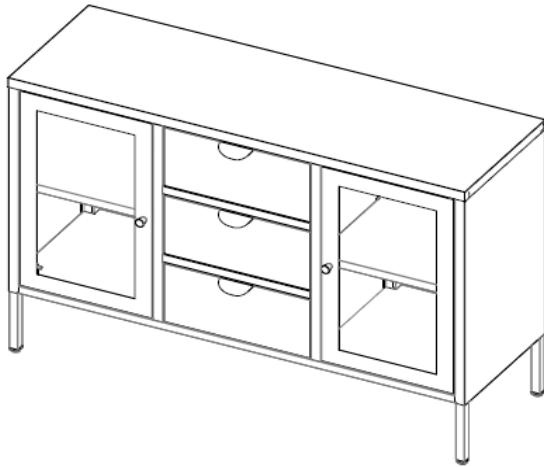


# SIDEBOARD

## ASSEMBLY GUIDE



**Important - Please read these instructions fully before starting assembly**



### **SAFETY AND CARE ADVICE**



### **NO POWER TOOLS**

#### **SAFETY AND CARE ADVICE**

- Check you have all the components and tools listed.
- Remove all fittings from the plastic bags and separate them into their groups.
- We do not recommend the use of power drills/drivers for inserting screws, as this could damage the unit. Only use hand screwdrivers and Allen keys.
- Keep children and animals away from the work area, small parts could cause choking if swallowed.
- Make sure you have enough space to lay out the parts before starting.
- Assemble the item as close to its final position (in the same room) as possible.
- Do not overtighten the nuts to avoid causing damage to the threads.
- Only clean using a damp cloth and mild detergent, do not use bleach or abrasive cleaners.
- From time to time check that there are no loose screws on this unit
- This product should not be discarded with household waste. Take to your local authority waste disposal centre
- **Warning:** Unfixed furniture may tip over. We strongly advise you use the anti-tipping kit provided to secure your shelves to the wall. Please use appropriate fixings for your wall and get professional advice if unsure.

# IMPORTANT INFORMATION



30 MINUTE  
BUILD

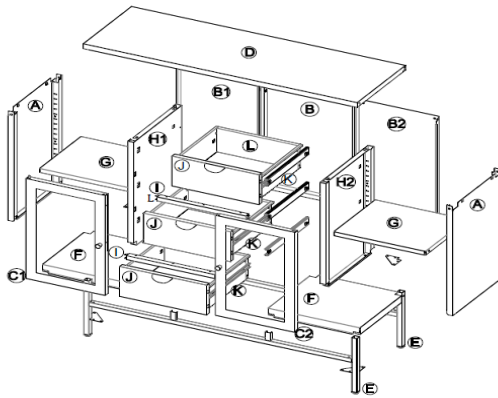


TWO  
PERSON



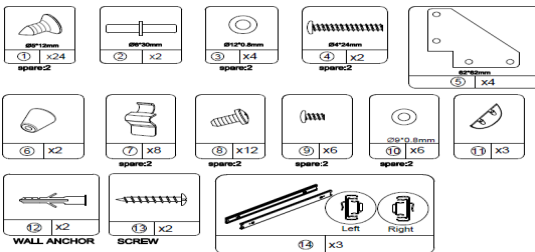
MAXIMUM  
CAPACITY 80Kg

PLEASE CHECK CAREFULLY AND MAKE SURE YOU HAVE ALL FITTINGS AND TOOLS LISTED BELOW BEFORE YOU START.



No.	Size	Qty
A	549x350x23mm	2
B	528x339x23mm	1
B1	528x307.5x23mm	1
B2	528x307.5x23mm	1
C1	501x305x20mm	1
C2	501x305x20mm	1
D	1151x351.5x25mm	1
E	1048x275x20mm	2

No.	Size	Qty
F	352x325x34mm	2
G	352x302x20mm	2
H1	526x350x20mm	1
H2	526x350x20mm	1
I	340x22x20mm	2
J	336.5x151x20mm	3
K	552x320x7mm	3
L	312.5x119x15mm	3



1 x Screwdriver  
(Not provided)

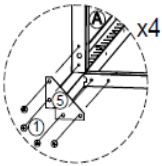
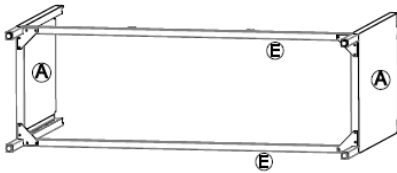
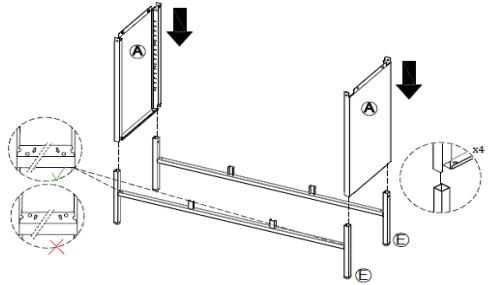
**NOTE:** The quantities above are the correct amount to complete the assembly. In some cases more fittings may be supplied than are required.

## STEP 1

Use a clean, flat, soft surface to avoid any bumps or scratches.

Attach 2 x side panels [A] to 2 x leg frames [E] by slotting [A] onto [E] with the plastic feet or the bottom.

**NOTE:** Ensure the holes are nearest the outside as this will affect the door assembly.



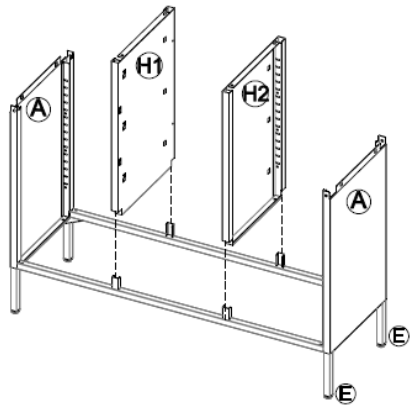
## STEP 3

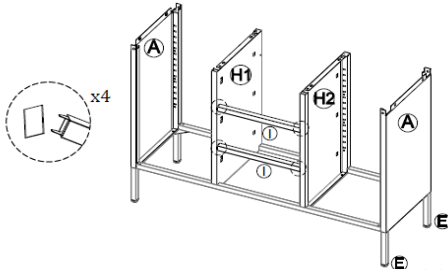
Slot 2 x centre dividers [H1 + H2] into the sideboard frame using the pre-made slots in 2 x leg frames [E].

## STEP 2

Attach 2 x side panels [A] to 2 x leg frames [E] using 4 x corner brackets [5] + 4 x screws [1] to each bracket - 16 in total.

Tighten with a screwdriver.



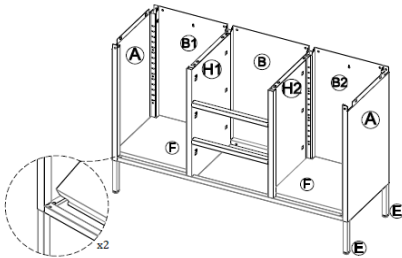
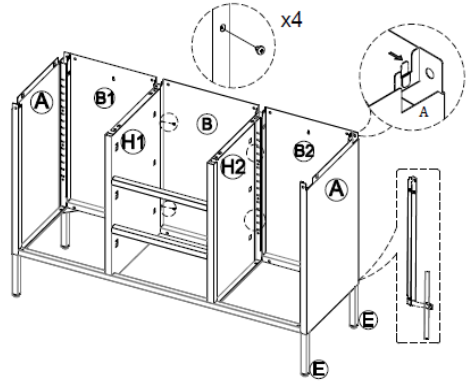


## STEP 4

Slot 2 x support bars [I] into center dividers [H1 + H2] using the pre-drilled holes.

## STEP 5

Slot back panels [B, B1 + B2] into leg frame [E] and secure using 4 x screws [1]. Tighten with a screwdriver.



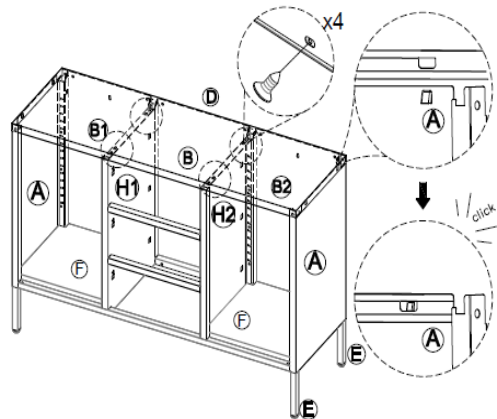
## STEP 6

Slot 2 x base panels [F] into the bottom of the frame.

## STEP 7

Align 1 x top panel [D] onto 2 x side panels [A] + back panels [B, B1 + B2]. 'Click' into place with the pre-attached push clips.

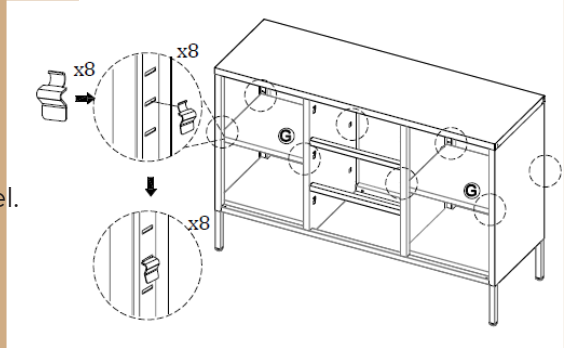
Secure the top panel [D] onto the center dividers [H1 + H2] using 4 x screw [1] and tighten with a screwdriver.



## STEP 8

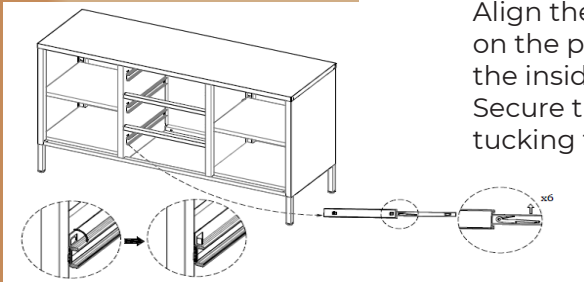
Slot 2 x shelf [G] into the cabinet by using 8 x shelf brackets [7].

Ensure the shelves are level.



## STEP 9

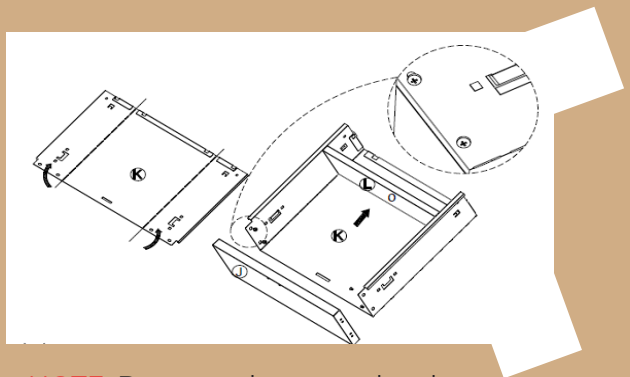
Align the 3 x drawer runners [14] on the pre-attached brackets on the inside of the unit. Secure the runner in place by un-tucking the bracket.



## STEP 10

Carefully fold the two sides of drawer base [K] and align drawer back [L] and drawer front [J]. Secure using 4 x screw [9] and tighten with a screwdriver.

Repeat this step for the remaining 2 drawers. 3 drawers in total, 12 screws [2] in total.

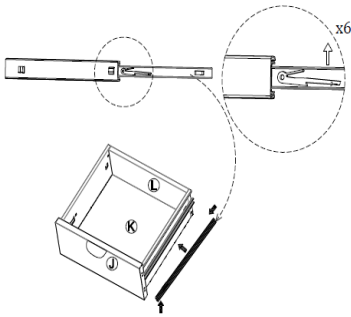
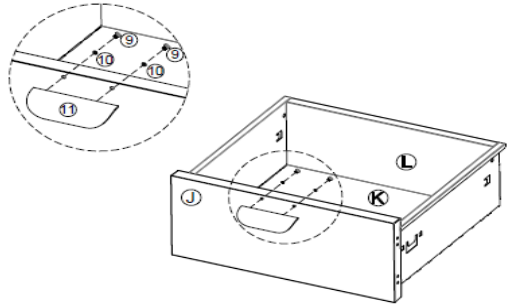


**NOTE:** Drawer edges may be sharp. Please exercise caution when folding.

## STEP 11

Attach 1 x drawer handle [11] to drawer front [J] using 2 x washer [10] + 2 x screw [9] through the pre-drilled holes. Tighten with a screwdriver.

Repeat for all 3 drawers.



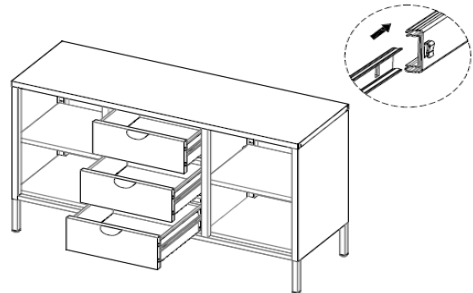
## STEP 12

Slot 1 x inner drawer runner [9] onto the side of each drawer until the clip clicks into place.

Repeat for all 3 drawers.

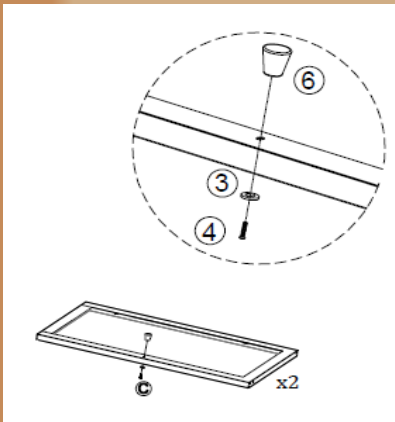
## STEP 13

Slot the 3 x drawers into the pre-attached drawer runners on the unit frame. Slide the drawer into the unit until the drawer runners click into place.



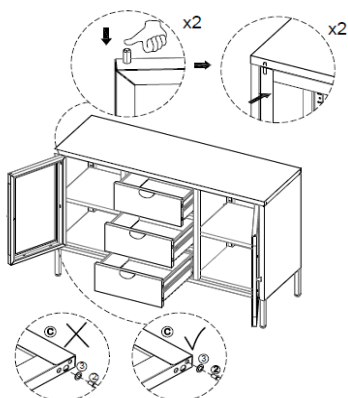
## STEP 14

Insert 2 x dowel pin [2]  
+ 2 x washer [3] to the  
corner of the cabinet  
frame as shown.



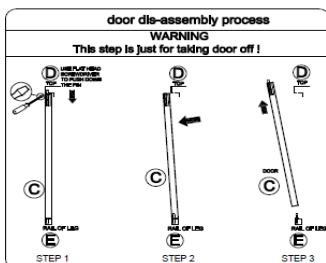
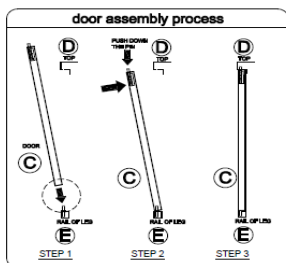
## STEP 15

Attach 1 x door handle [6] to 2 x  
doors [C1 + C2] using 1 x washer  
[3] + 1 x screw [4] through the pre-  
drilled holes.  
Tighten with a screwdriver.



## STEP 16

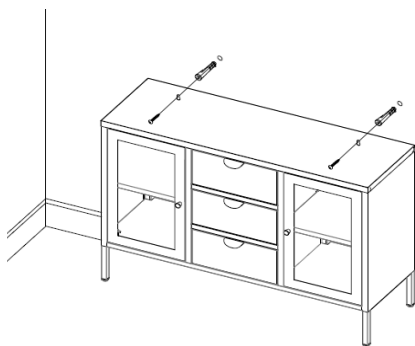
Attach doors [C1 + C2] to the pre-assembled cabinet by slotting doors [C1 + C2] onto the pre-inserted dowel pins. Ensure to use the holes nearest the side panel and corner of the door.



## Anti Tipping Kit Assembly

### STEP 17

**Warning:** Unfixed furniture may tip over. We strongly advise you use the anti-tipping kit provided to secure your shelves to the wall. Please use appropriate fixings for your wall and get professional advice if unsure.



Secure the cabinet to the wall with the 2 x pre-drilled gould holes. Attach using 2 x rawl plugs [9] + 2 x screws [10].

Check stability and adjust feet accordingly.  
Your cabinet is now ready to use!



## OUR 2 YEAR\* GUARANTEE

our products come with a 2 year guarantee  
to give you peace of mind shopping

\*excludes some garden furniture items  
which have a 1 year guarantee



## WHAT THE GUARANTEE COVERS



**PRE-INSERTED FIXINGS**  
e.g. lose metal threads



**FAULTY JOINTS**  
e.g. legs bending



**EXTERNAL FIXING FAULTS**  
e.g. bonding/glue



**STRUCTURAL INTEGRITY**  
e.g. the frame of the  
product