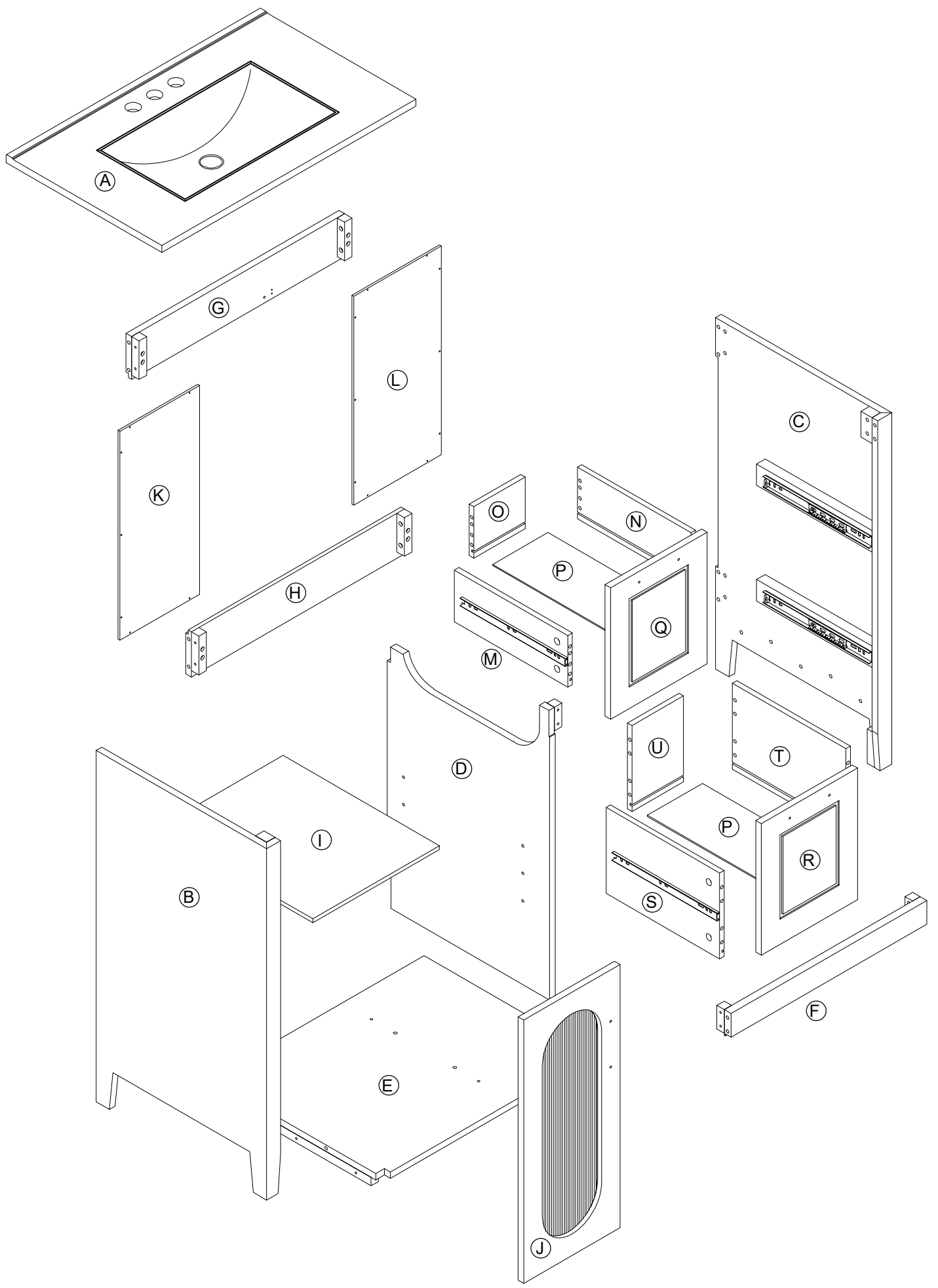
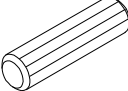

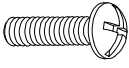
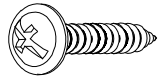
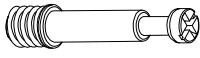
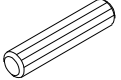


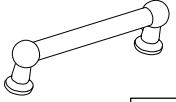
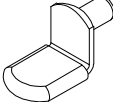

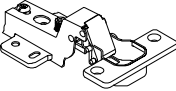
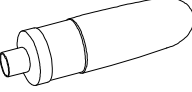
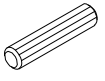
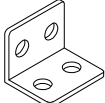
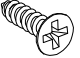


PACKAGE CONTENTS

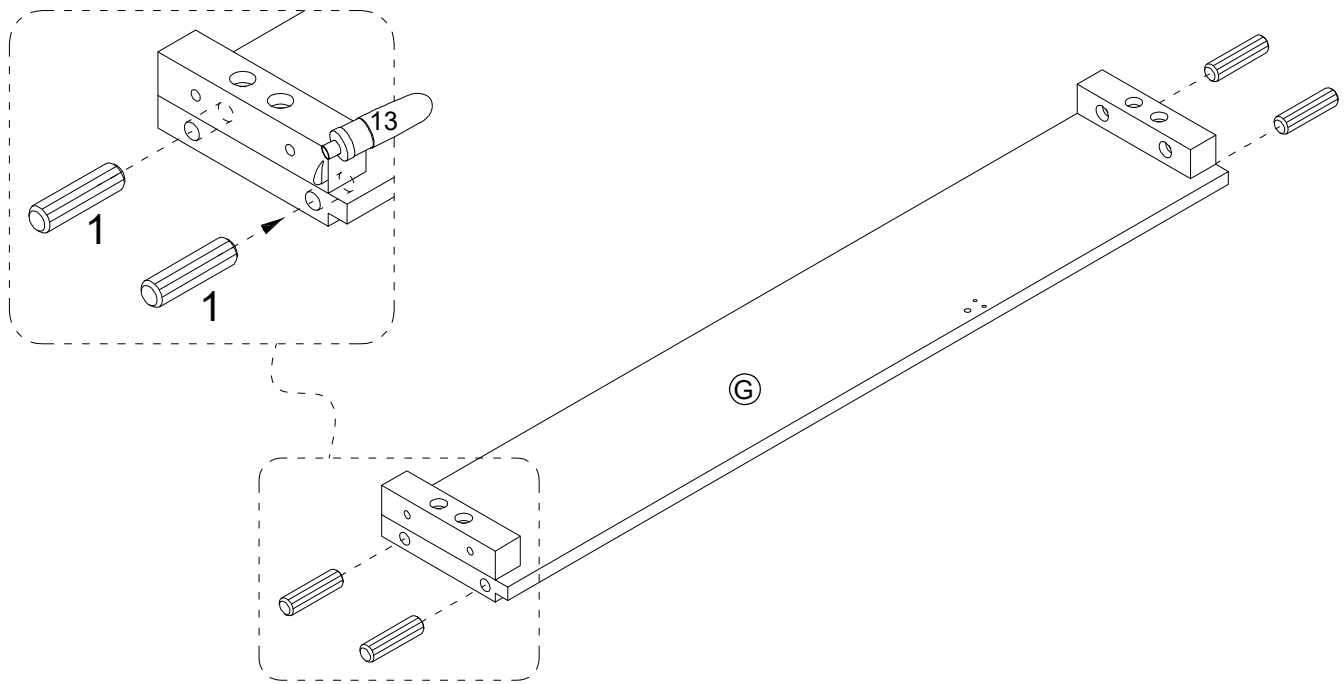


PART	DESCRIPTION	QTY	PART	DESCRIPTION	QTY
A	Sink	X1	L	Right Back Panel	X1
B	Left Side Board	X1	M	Left Upper Drawer Side Panel	X1
C	Right Side Board	X1	N	Right Upper Drawer Side Panel	X1
D	Middle Panel	X1	O	Upper Drawer Back Panel	X1
E	Bottom Panel	X1	P	Drawer Bottom Panel	X2
F	Front Upper Rail	X1	Q	Drawer Front Panel	X1
G	Back Upper Rail	X1	R	Drawer Front Panel	X1
H	Back Lower Rail	X1	S	Left Lower Drawer Side Panel	X1
I	Adjustable Shelf	X1	T	Right Lower Drawer Side Panel	X1
J	Door Panel	X1	U	Lower Drawer Back Panel	X1
K	Left Back Panel	X1			

HARDWARE CONTENTS

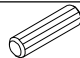

1	2	3	4
			
Ø8*30mm 18PCS	Ø4*35mm 2PCS	M6*25mm 20PCS	Ø3*12mm 17PCS
5	6	7	8
			
Ø6*33mm 16PCS	Ø6*30mm 16PCS	Ø15*9mm 16PCS	5/32*20mm 6PCS
9	10	11	12
			
3PCS	Ø6*29*13mm 4PCS	Ø3.5*12mm 12PCS	2PCS
13	14	15	16
			
1PC	Ø5*30mm 1PC	1PC	Ø 4PCS

STEP1

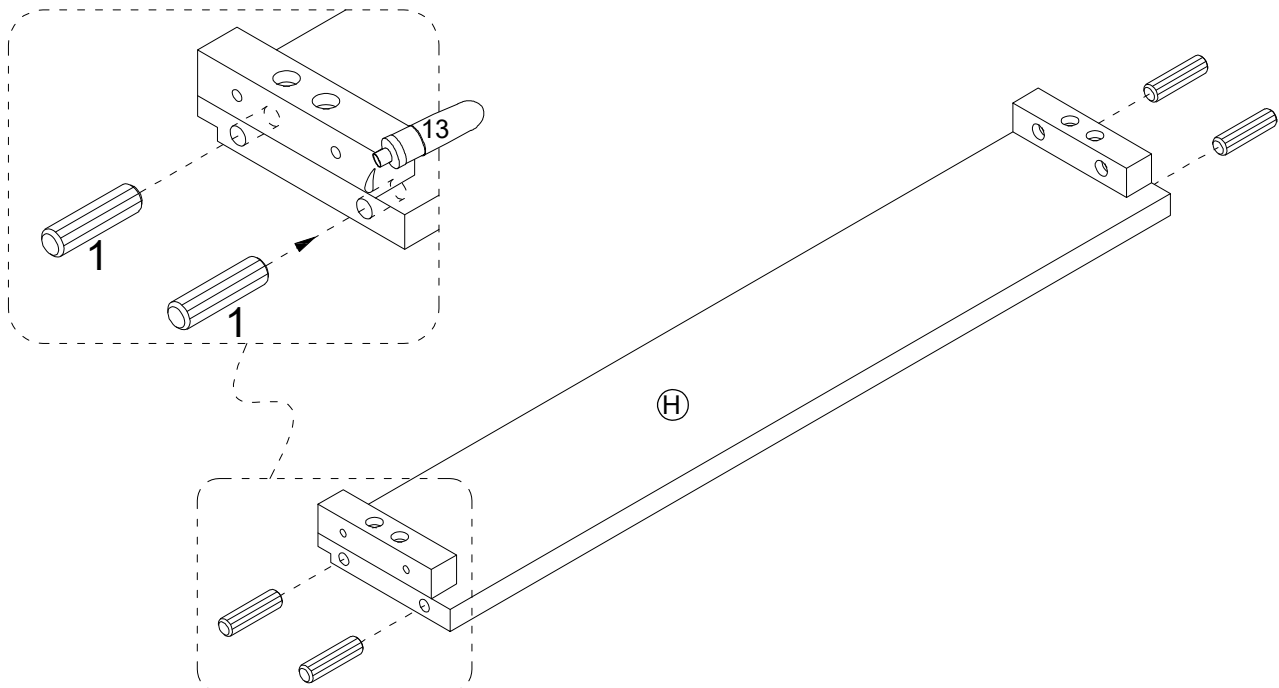


Glue the wood dowels 1 into the inner holes on the back upper rail G.

NOTE: It is very important to use a small amount of glue 13 on ends of dowels and wipe away excess glue immediately.

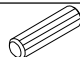

1		4pcs
13		1pc

STEP2

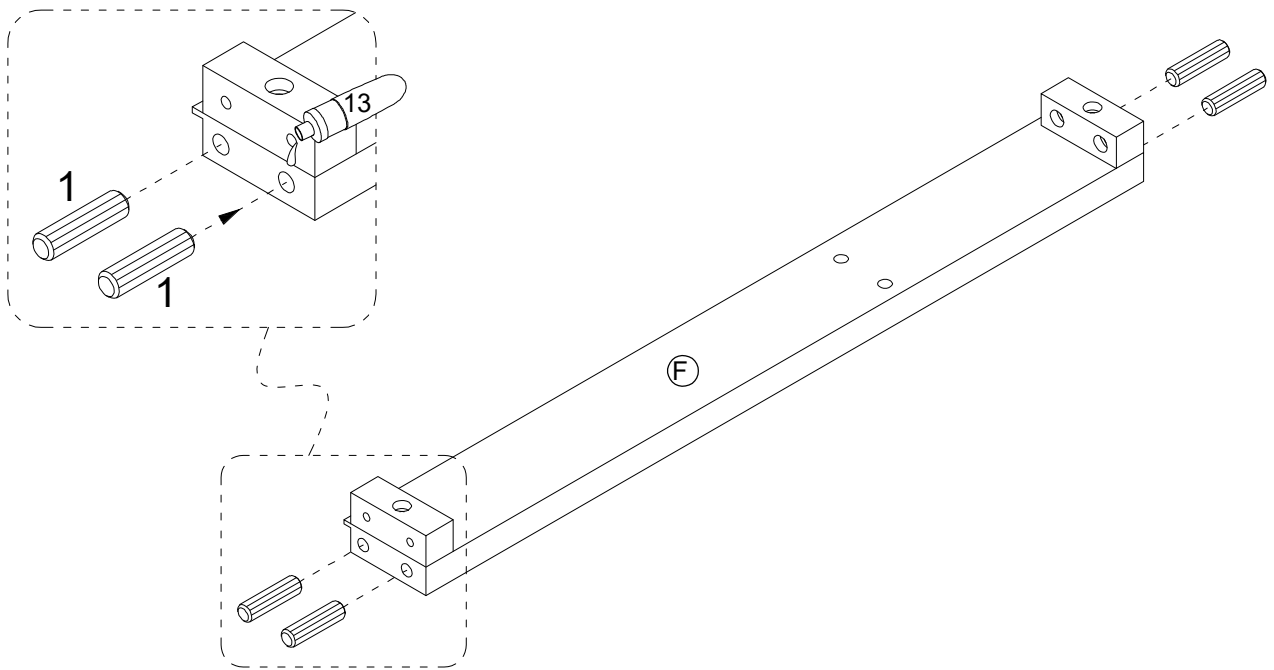


Glue the wood dowels 1 into the inner holes on the back lower rail H.

NOTE: It is very important to use a small amount of glue 13 on ends of dowels and wipe away excess glue immediately.

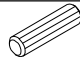

1		4pcs
13		1pc

STEP3

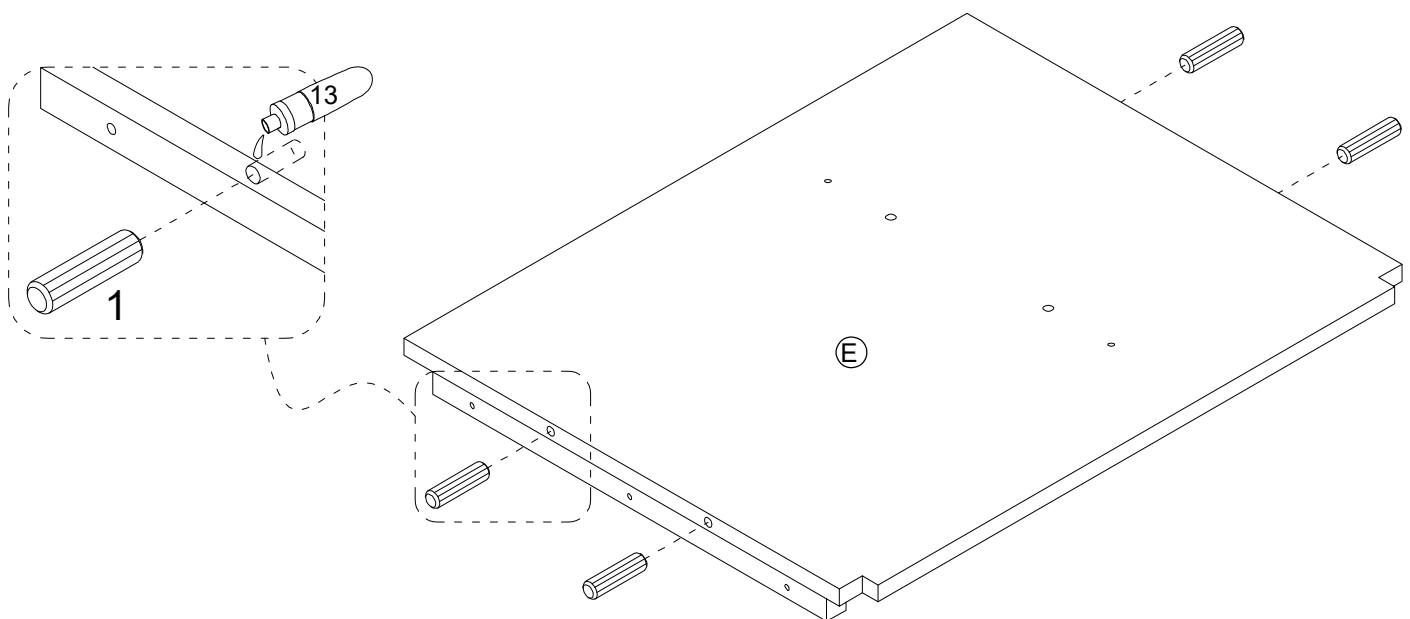


Glue the wood dowels 1 into the inner holes on the front upper rail F.

NOTE: It is very important to use a small amount of glue 13 on ends of dowels and wipe away excess glue immediately.

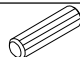

1		4pcs
13		1pc

STEP4

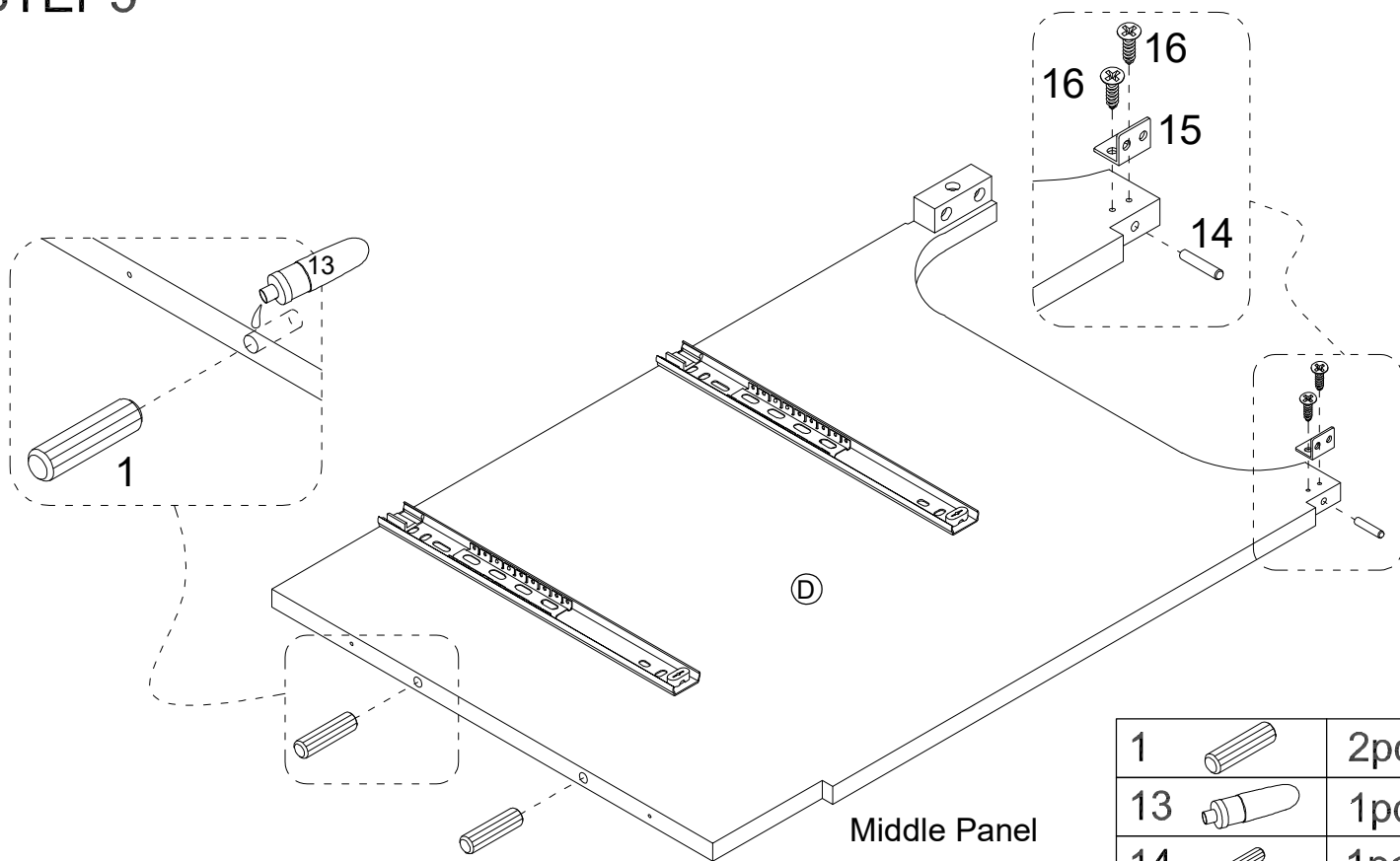


Glue the wood dowels 1 into the inner holes on the bottom panel E.

NOTE: It is very important to use a small amount of glue 13 on ends of dowels and wipe away excess glue immediately.

1		4pcs
13		1pc

STEP5

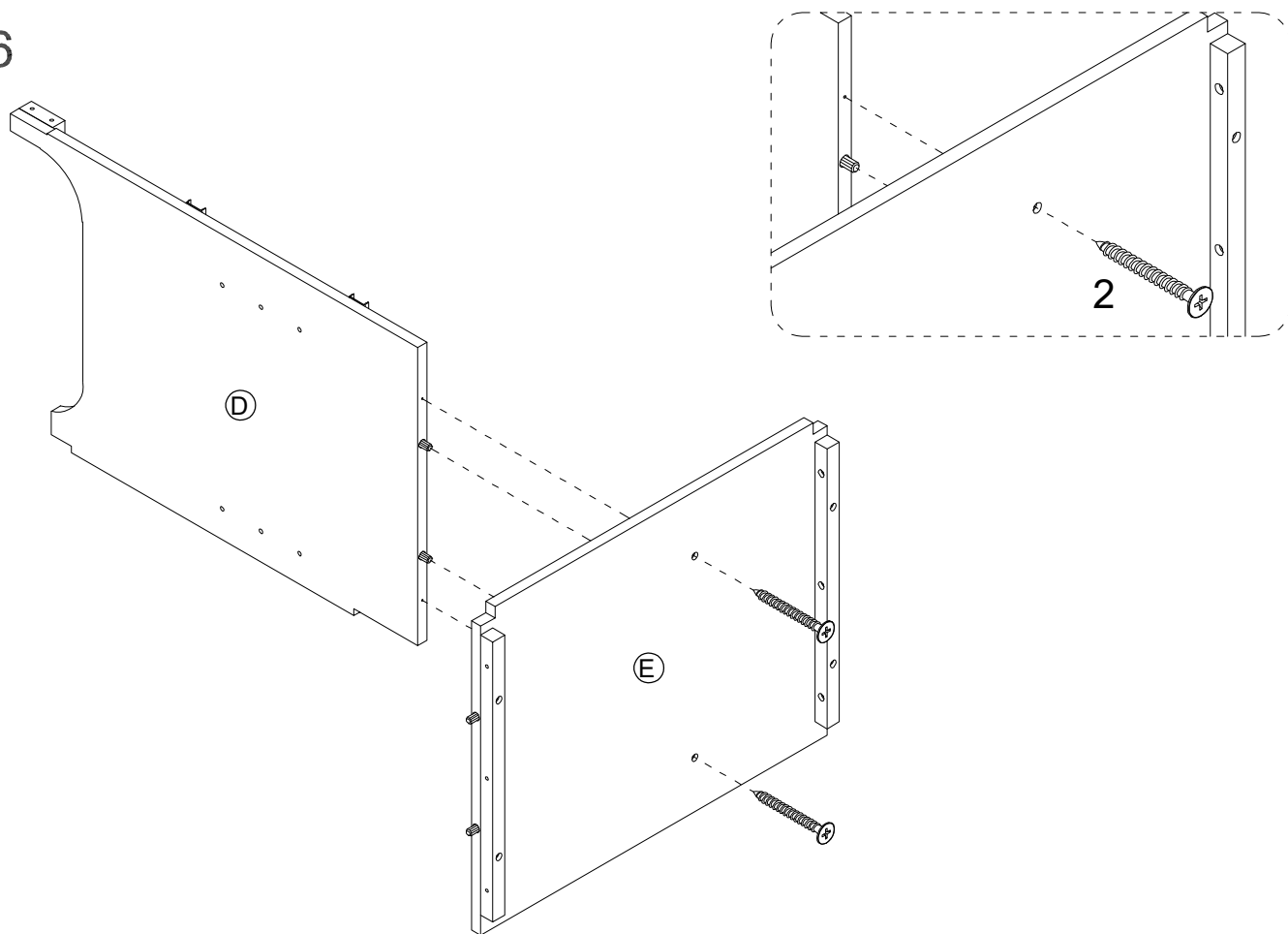


1		2pcs
13		1pc
14		1pc
15		1pc
16		2pcs

Glue the wood dowels 1 into the inner holes on the middle panel D.

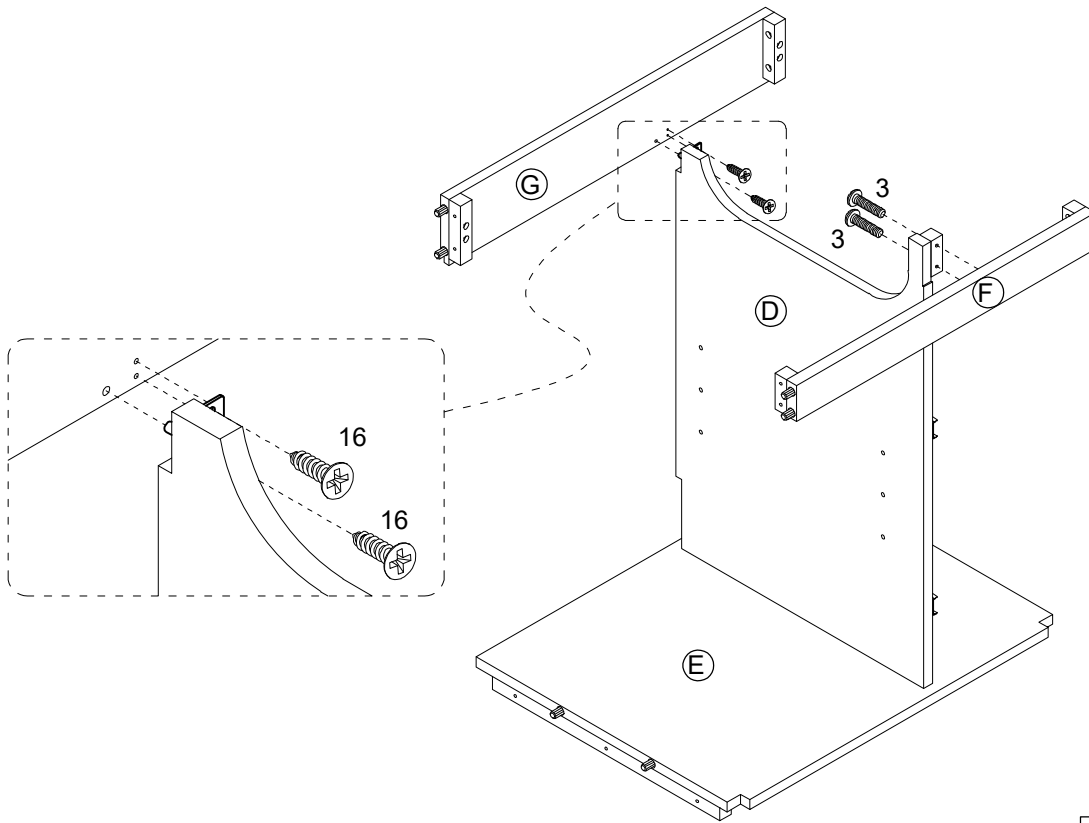
NOTE: It is very important to use a small amount of glue 13 on ends of dowels and wipe away excess glue immediately.



STEP6



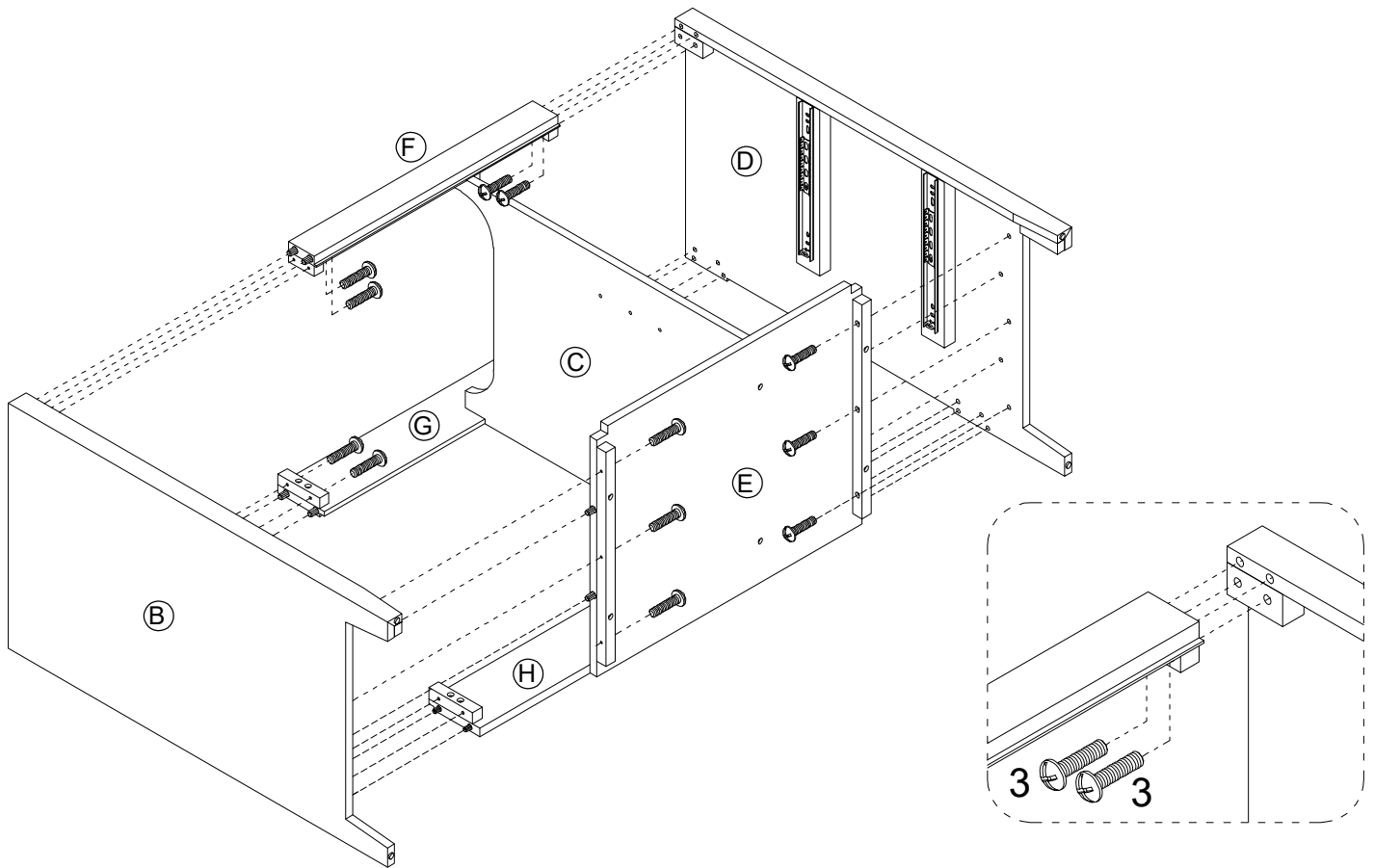
2		2pcs
---	--	------


STEP7



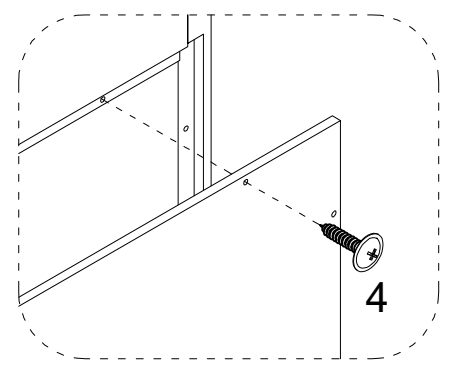
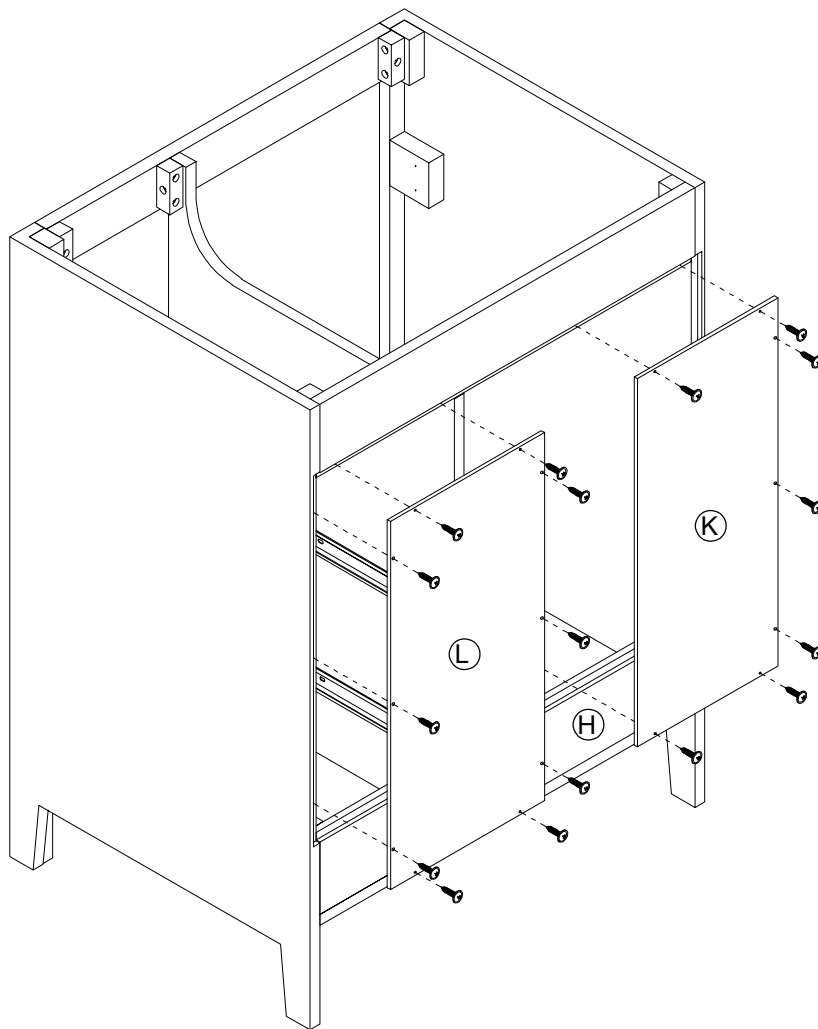
3		2pcs
16		2pcs


STEP8



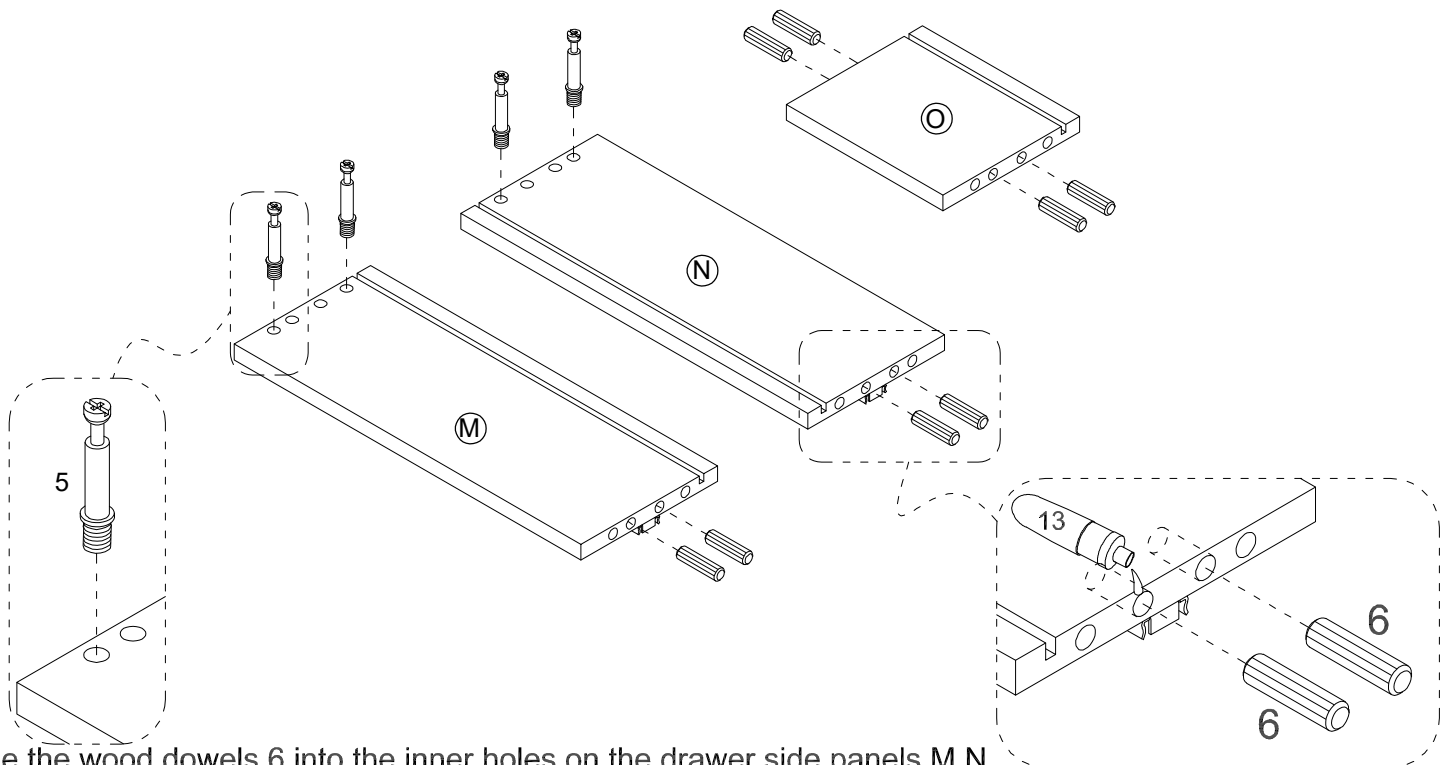
3		18pcs
---	---	-------

STEP9



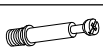


4		17pcs
---	---	-------

STEP10

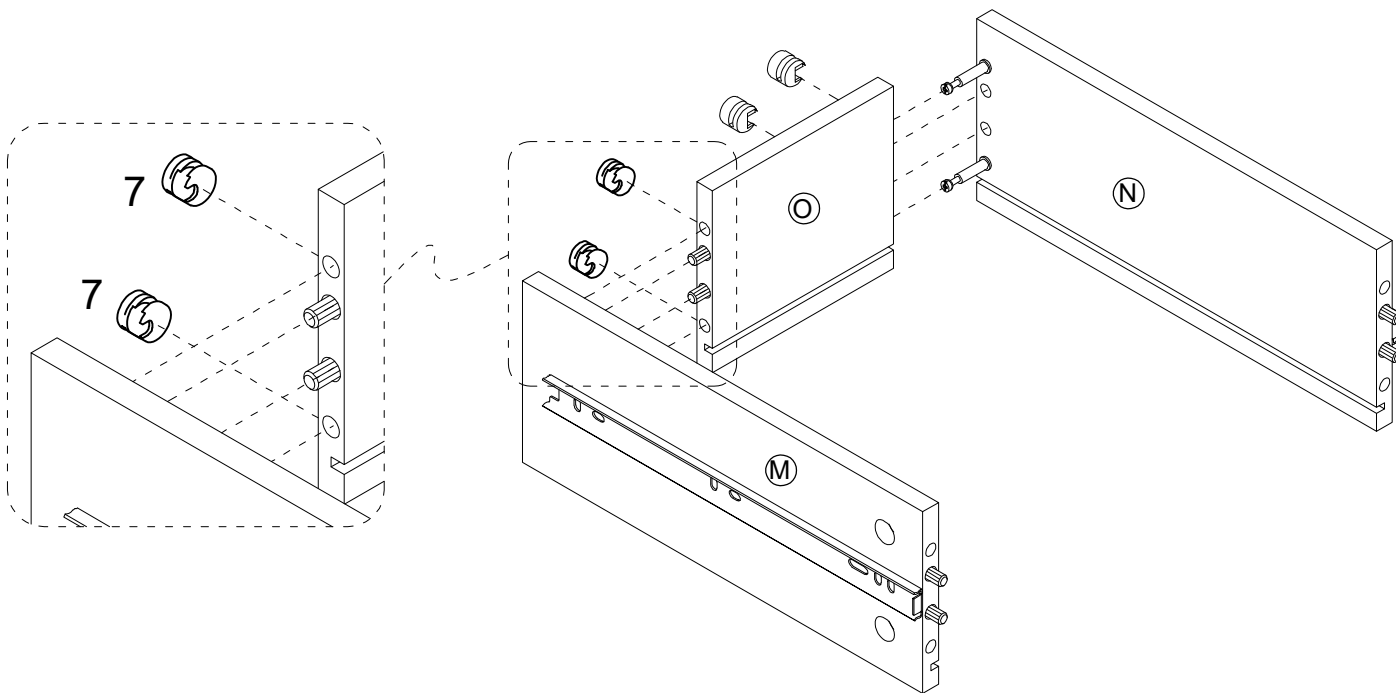



Glue the wood dowels 6 into the inner holes on the drawer side panels M,N and drawer back panel o.

NOTE: It is very important to use a small amount of glue 13 on ends of dowels and wipe away excess glue immediately.

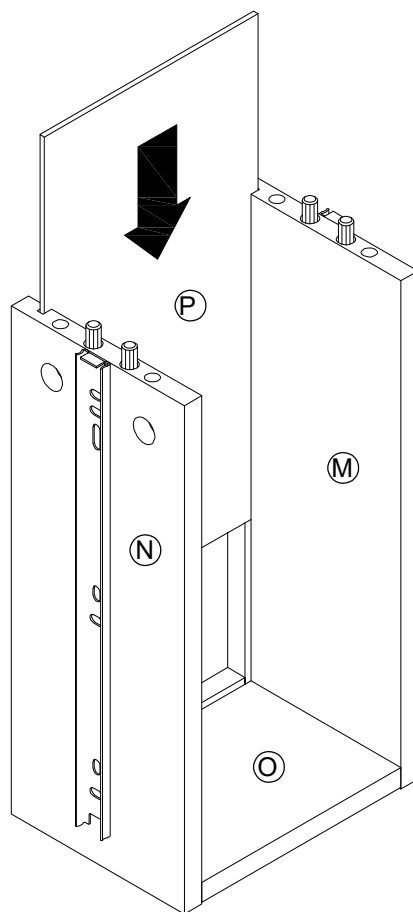
5		4pcs
6		8pcs
13		1pc

STEP11

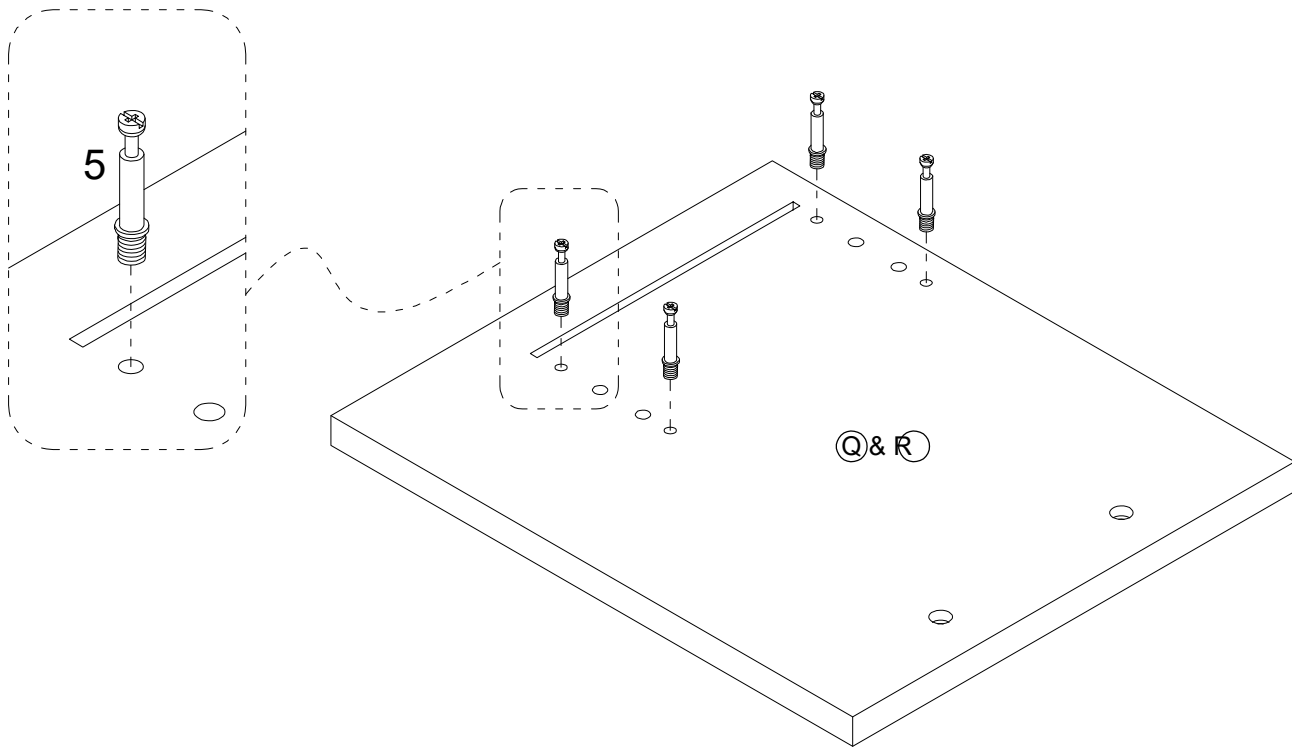



7		4pcs
---	---	------

STEP12

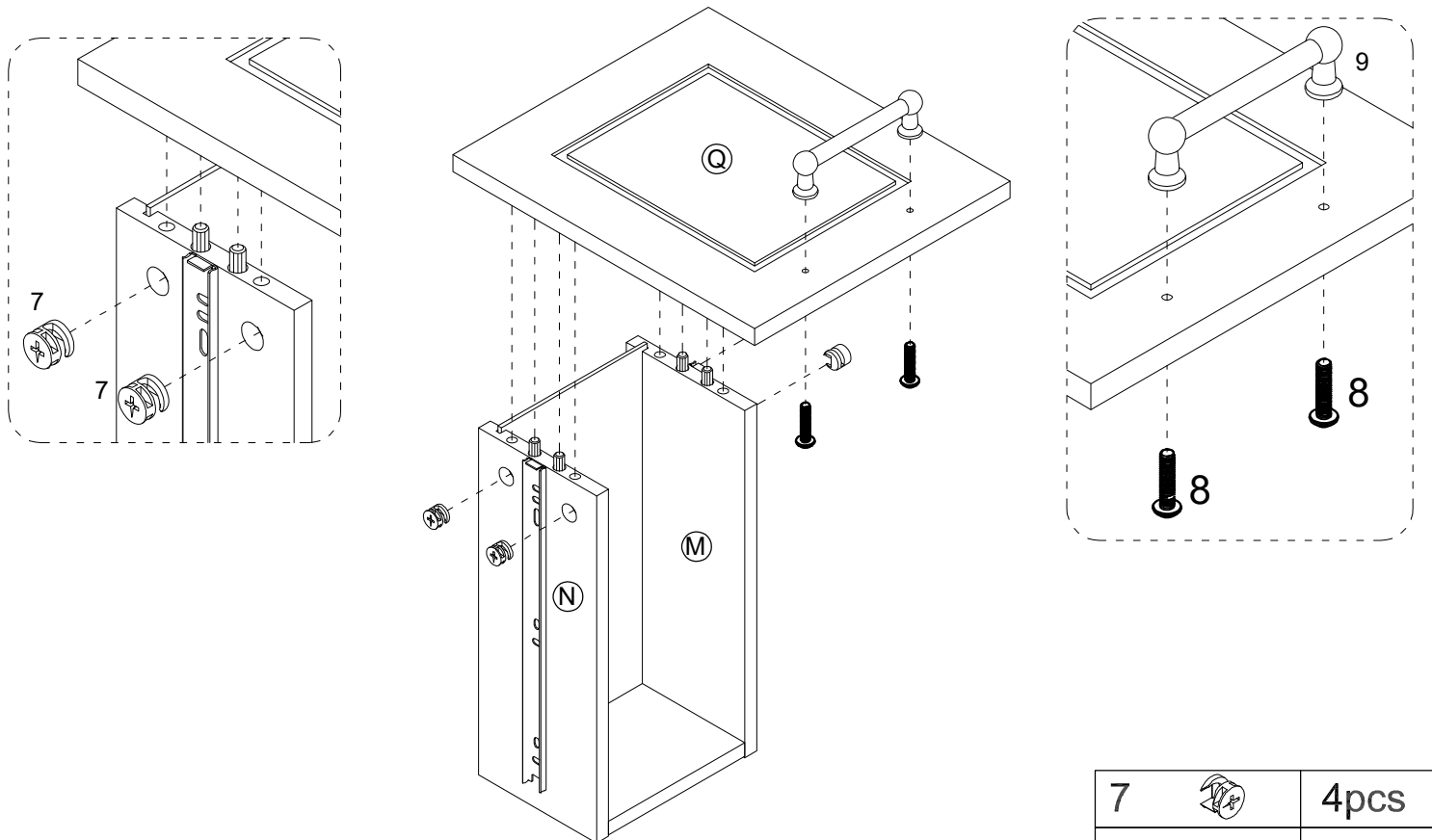




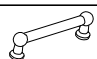
STEP13



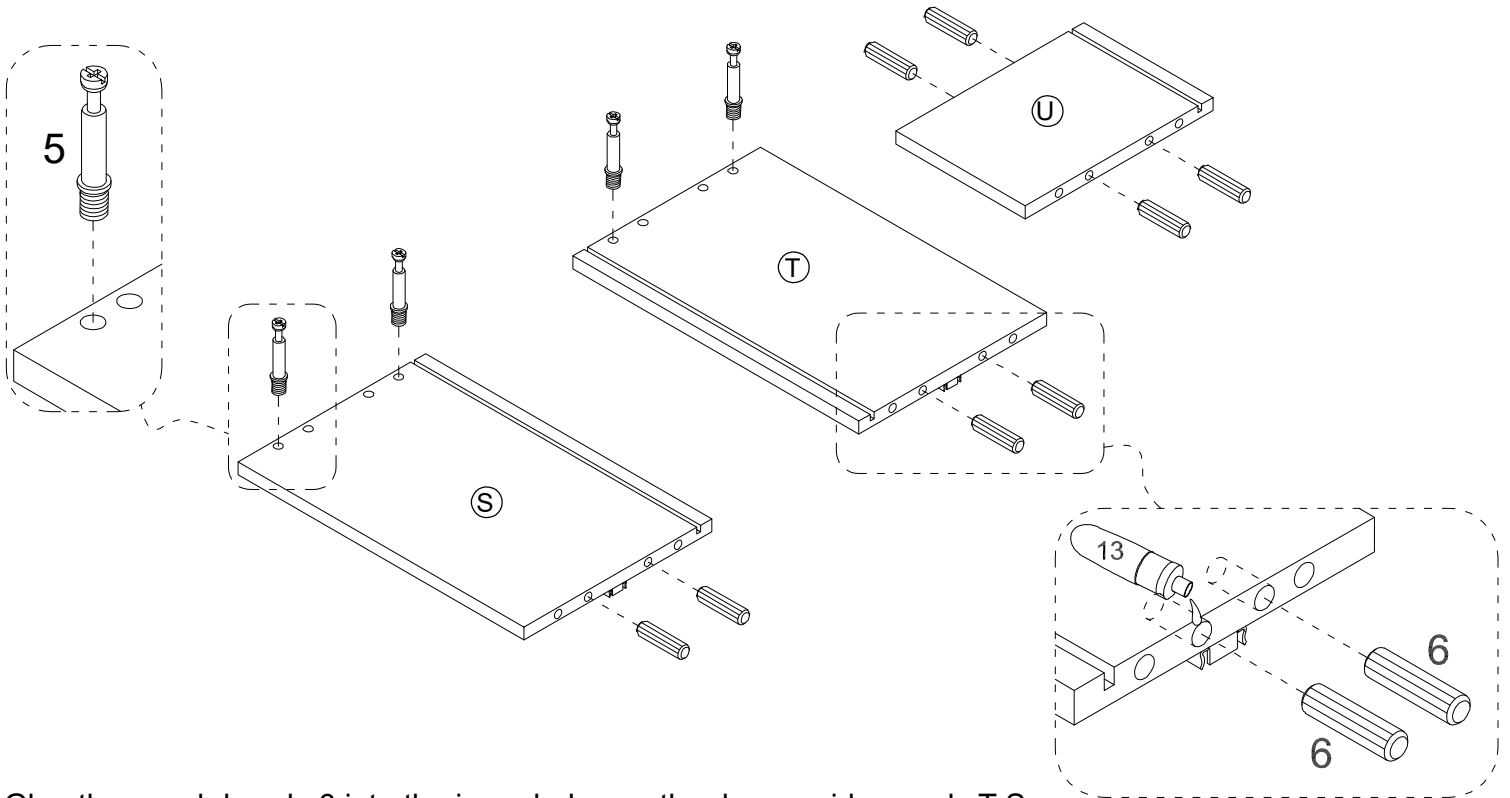
5		8pcs
---	---	------

STEP14



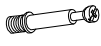
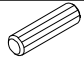
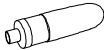
7		4pcs
8		2pcs
9		1pc

STEP 15

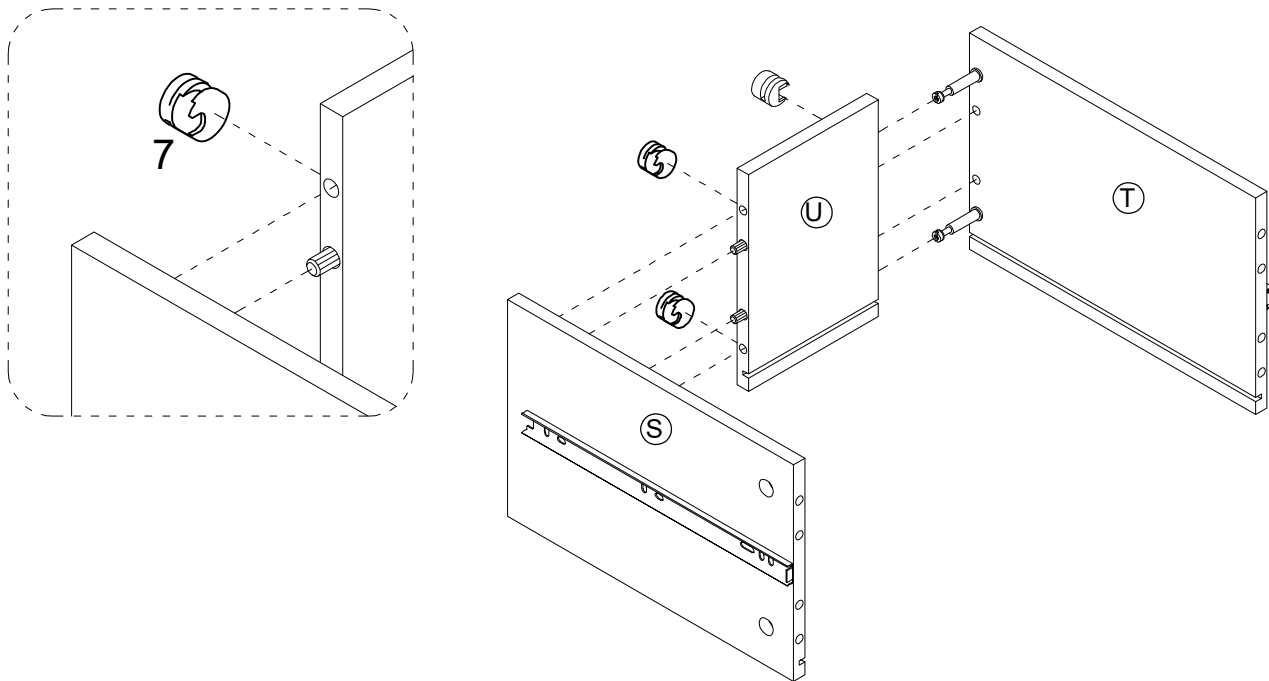


Glue the wood dowels 6 into the inner holes on the drawer side panels T,S and drawer back panel U.

NOTE: It is very important to use a small amount of glue 13 on ends of dowels and wipe away excess glue immediately.

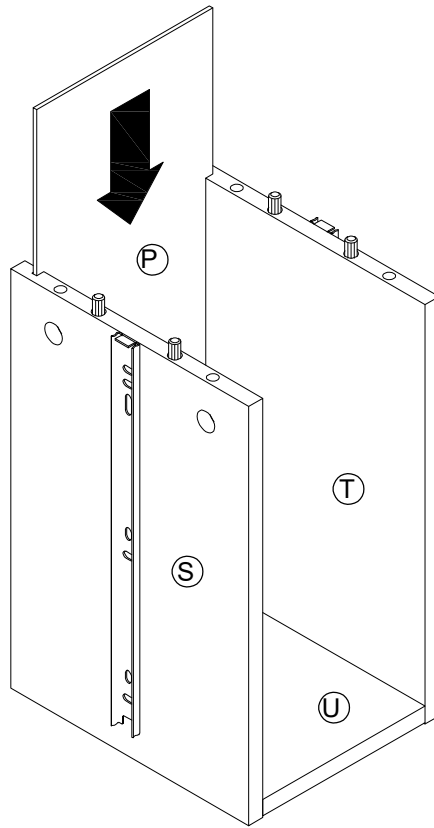
5		4pcs
6		8pcs
13		1pc

STEP 16

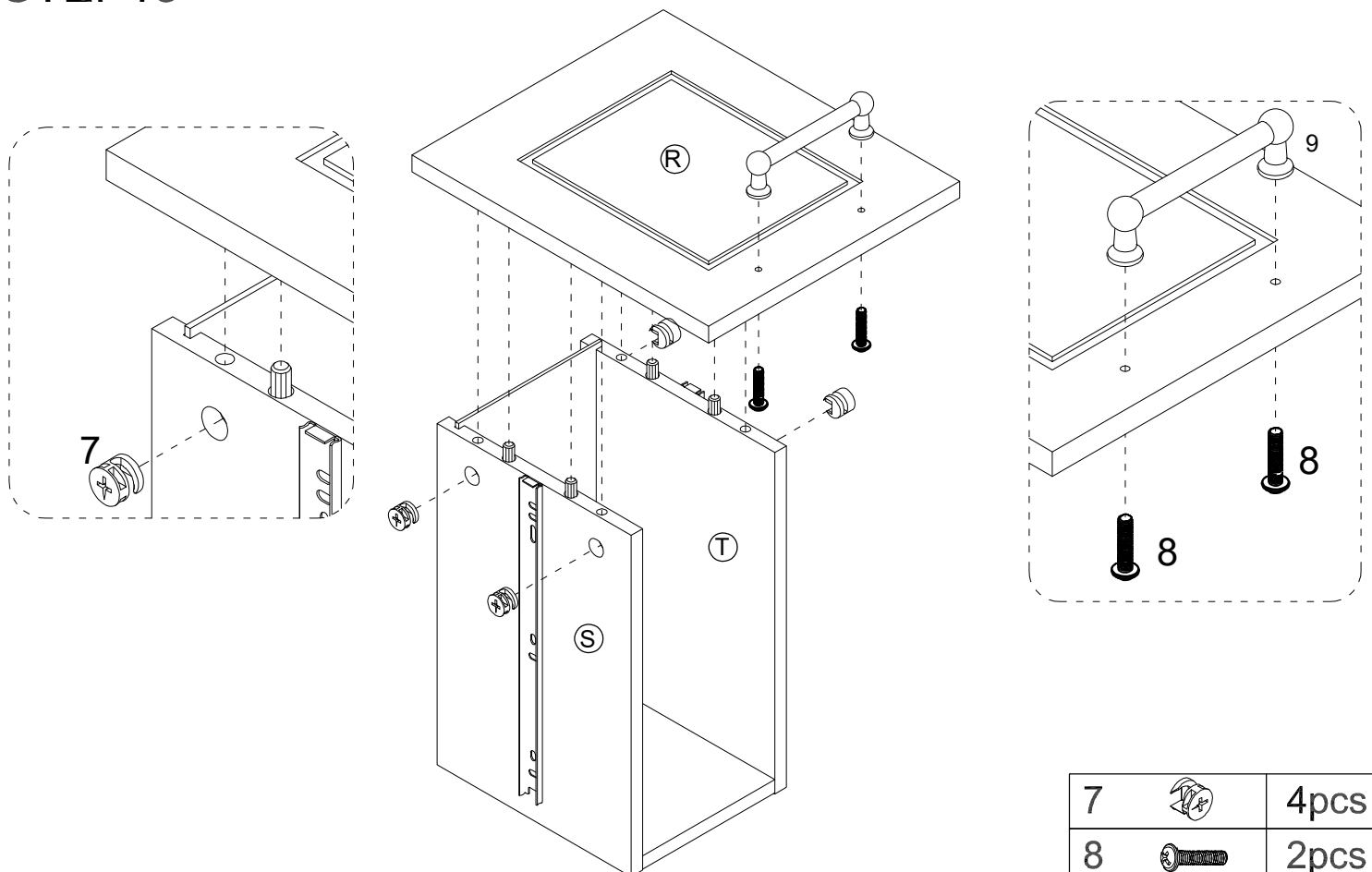




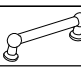
7		4pcs
---	---	------

STEP17

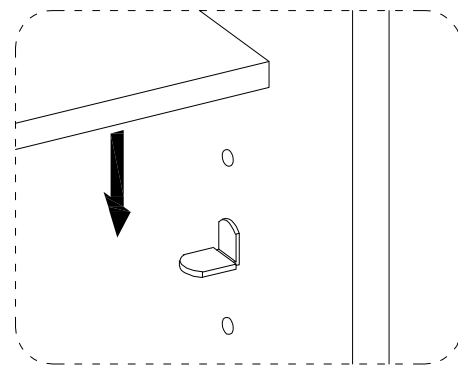
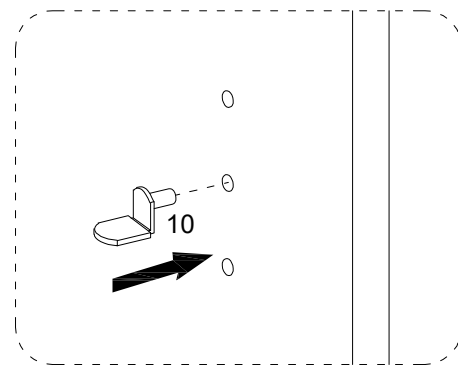
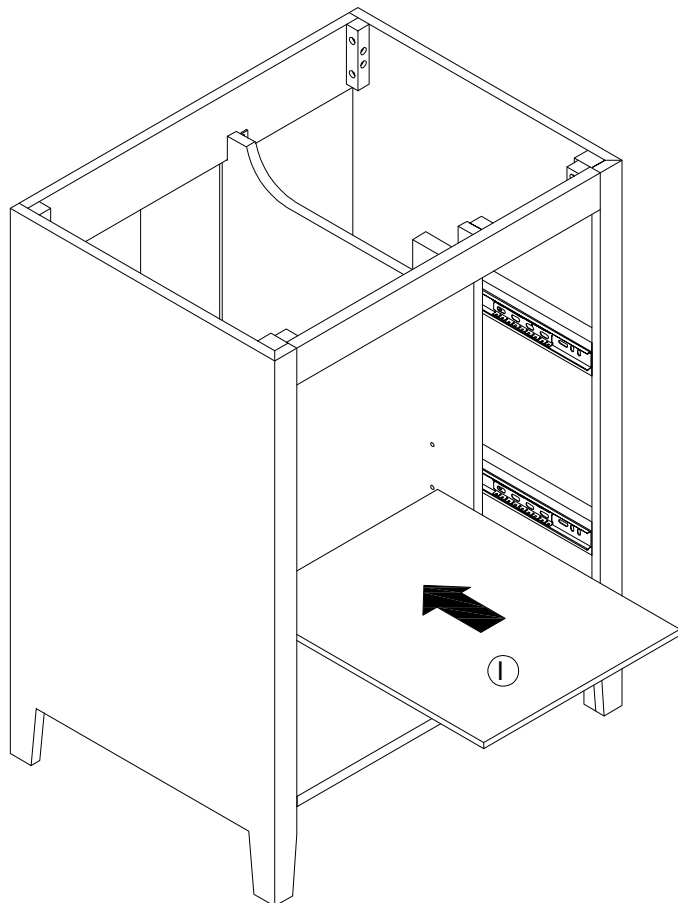


STEP18



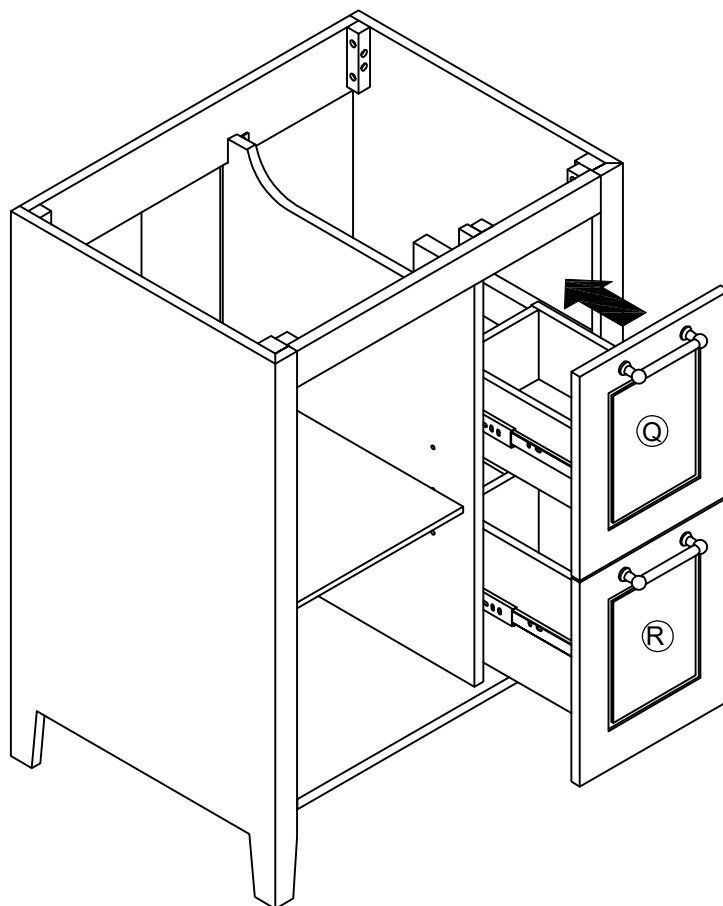
7		4pcs
8		2pcs
9		1pc

STEP19

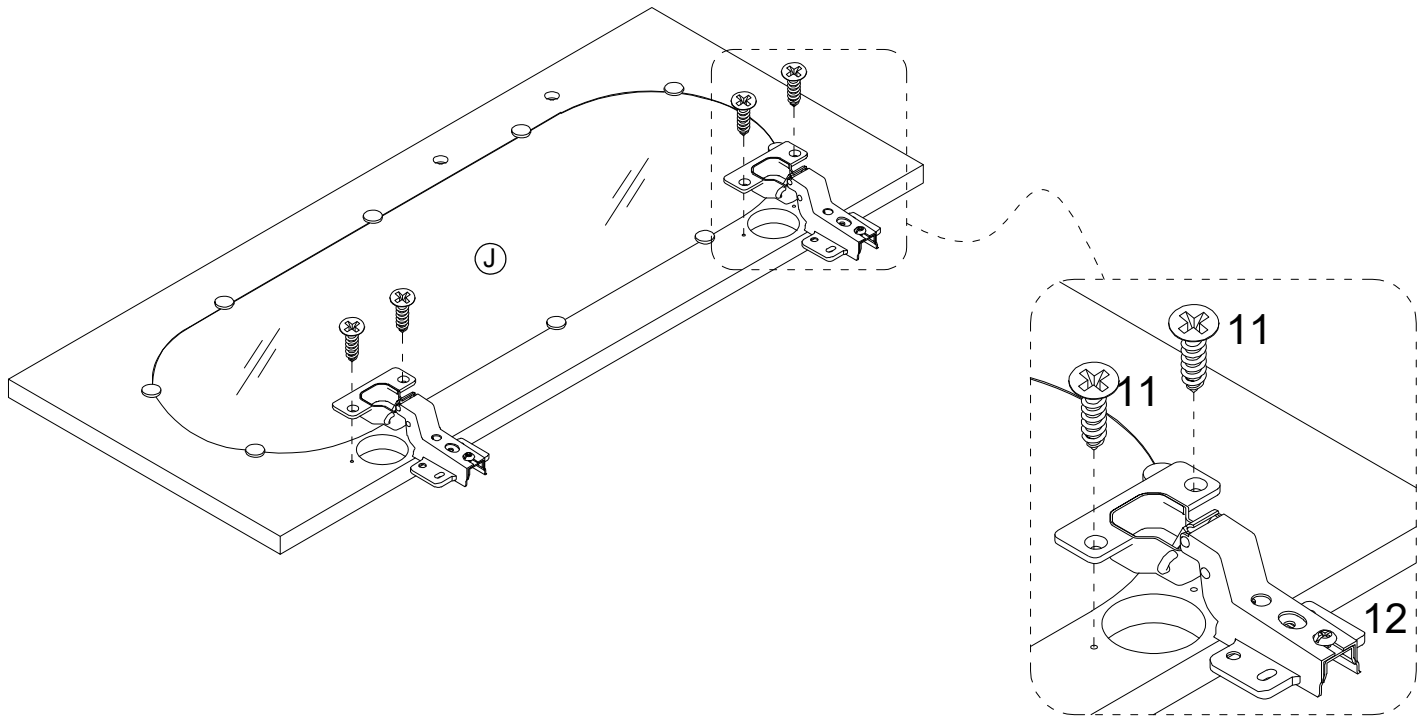



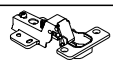
10		4pcs
----	--	------

STEP20



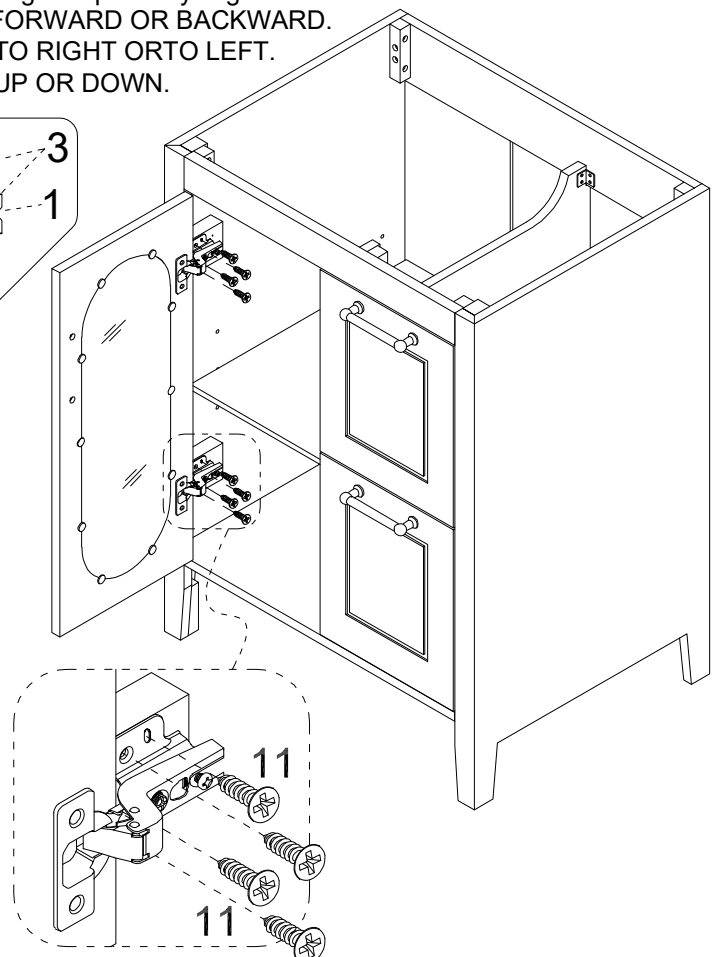
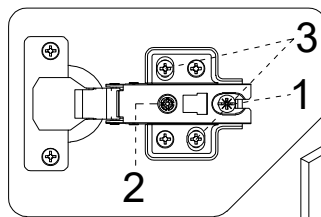
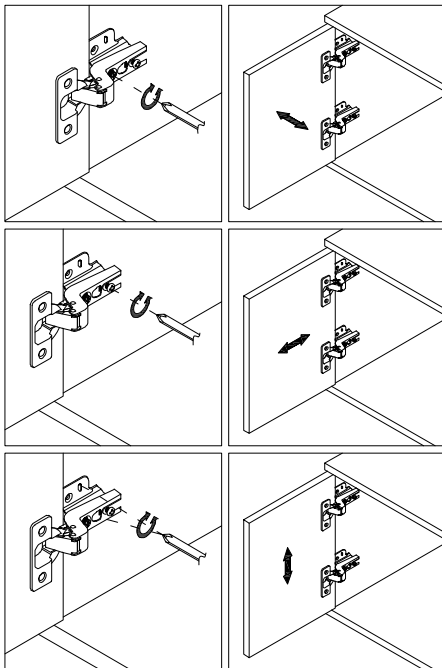
STEP21




11		4pcs
12		2pcs

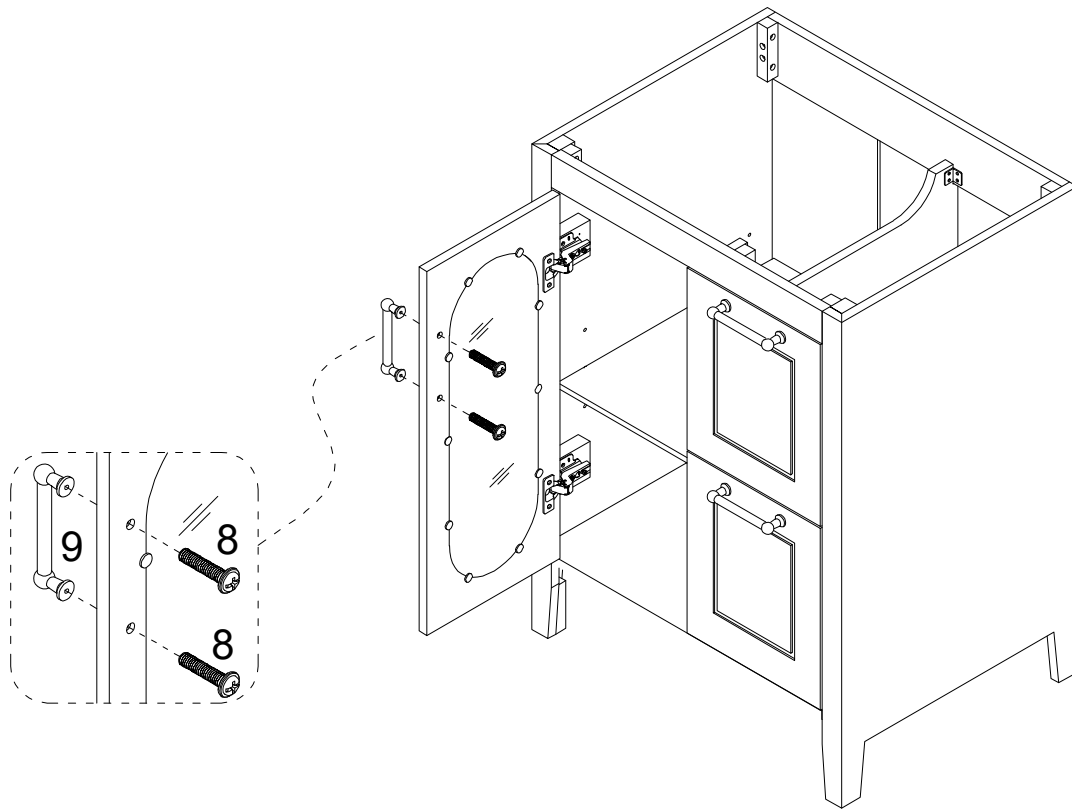
STEP22


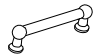
Three-way adjustable hinge for perfectly aligned doors
 1. TO ADJUST DOOR FORWARD OR BACKWARD.
 2. TO ADJUST DOOR TO RIGHT OR TO LEFT.
 3. TO ADJUST DOOR UP OR DOWN.



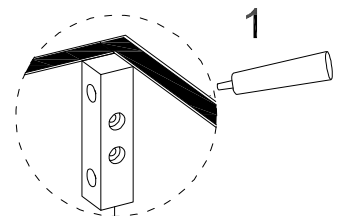
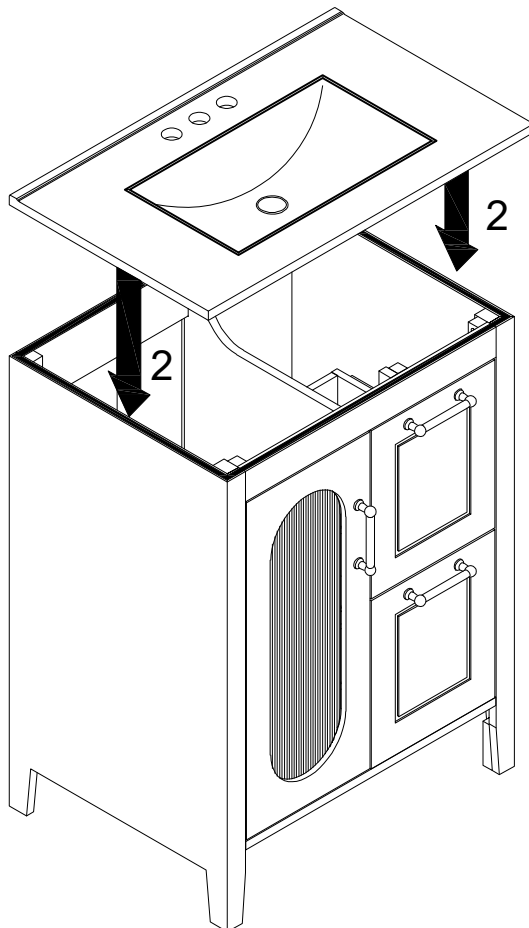
11		8pcs
----	---	------

STEP23



8		2pcs
9		1pc

STEP24



To install the Top (1) to the vanity (2). Apply silicone caulk to the top edge of the wood cabinet. With the help of another adult, gently lower the Sink top with assembled sink onto the cabinet. Make sure the Sink top is flush with the back side of the wood cabinet and the wood cabinet left and right side walls.

STEP25

